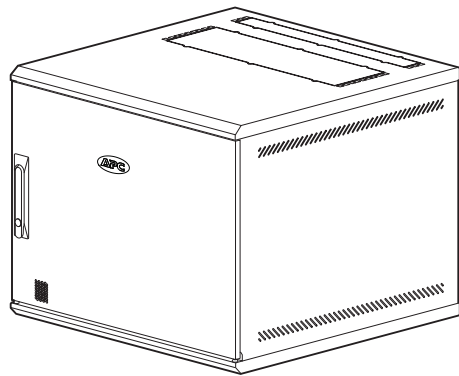


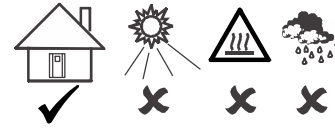


Unpacking NetShelter® WX Cabinet with Swing Handle

AR106SH4, AR109SH4, AR112SH4,
AR106SH6, AR109SH6, AR112SH6



Unpacking



NOTICE

Leaving the cabinet uncovered and exposed to the elements will cause damage and void the factory warranty.

The shipping materials are recyclable. Save them for later use, or dispose of them appropriately.



⚠ WARNING	⚠ AVERTISSEMENT
HEAVY EQUIPMENT HAZARD <ul style="list-style-type: none"> At least two people are required to unpack and move the cabinet. <p>Failure to follow these instructions can result in death, serious injury, or equipment damage.</p>	EQUIPMENT LOURD RISQUE <ul style="list-style-type: none"> Le déballage et le déplacement de l'armoire nécessitent l'intervention d'au moins deux personnes. <p>Le non-respect de ces instructions peut entraîner des blessures graves, voire mortelles, ou endommager l'équipement.</p>

Specifications

Model	Height (U/mm)	Width (mm)	Depth (mm)	Cabinet Weight (kg/lb)	Shipping Weight (kg/lb)
AR106SH4	6/355	600	400	11.1 / 24.5	13.6 / 29.9
AR109SH4	9/485	600	400	13.0 / 28.7	15.8 / 34.8
AR112SH4	12/620	600	400	14.9 / 32.8	18.0 / 39.7
AR106SH6	6/355	600	600	14.4 / 31.7	17.5 / 38.6
AR109SH6	9/485	600	600	16.7 / 36.8	20.5 / 45.2
AR112SH6	12/620	600	600	19.2 / 42.3	23.2 / 51.1

Static loading rate (all models): 90.7 kg (200 lb)

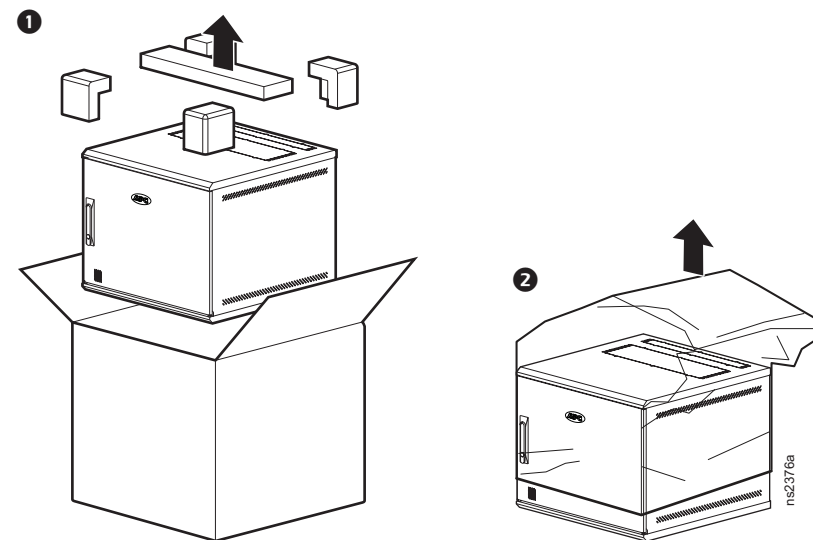
Receiving

Inspect the exterior packaging

Before unpacking the shipment, verify that the labeled boxes match the bill of lading and carefully inspect the exterior of the shipment for damage immediately upon receipt.

Inspect the Equipment

Once you have unpacked the cabinet, carefully inspect it for visible signs of shipping damage. If damage is identified upon receipt of the equipment, note the damage on the bill of lading and file a damage claim with the shipping company. Contact APC by Schneider Electric Worldwide Customer Support for at www.apc.com to report damage or missing contents. The shipping claim must be filed at the receiving end of the delivery.



6/2019

990-91293-001

© 2019 APC by Schneider Electric. All rights reserved.

Customer support is available at www.apc.com.

Worldwide Customer Support