



P1-WM (Single) P1-WMX2 (Pair) WALL MOUNT FOR SONOS PLAY:1

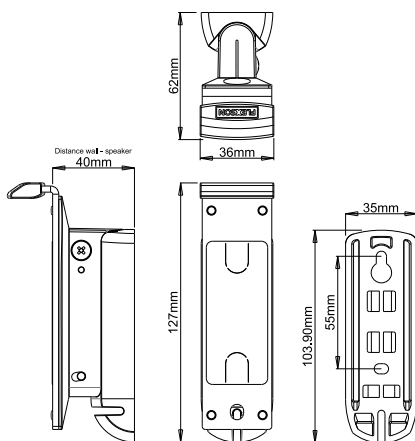
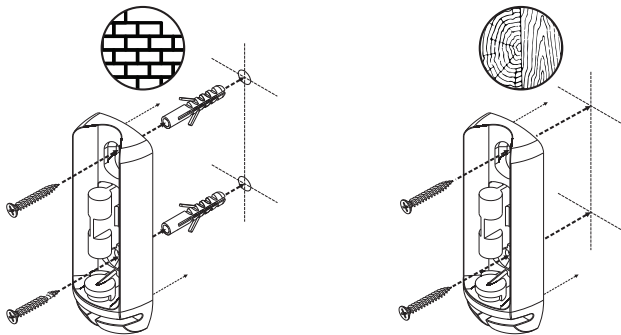
Now includes
installation
hardware

Tilt it, swivel it, even hang it upside down! Flexson's bespoke bracket for the SONOS PLAY:1 allows you to wall mount your speaker in the ideal place to sound - and look - great. The Flexson mount has a unique tilting mechanism, as well as the ability to swivel left or right, so you can perfectly angle your sound. The bracket also allows you to hang the PLAY:1 upside down, so you can access its on-speaker controls even when it's mounted high up. You can even mount your speaker on the ceiling! The Flexson wall mount for SONOS PLAY:1 is precision engineered to perfectly match the size, style and colour of the SONOS speaker. It also allows for neat cable routing, easy fitting and flexible placement. Free up your surfaces and mount your music today!

- Tilts down 15°
- Swivels 80° (40° left + 40° right)
- Simple fitting & easy adjustment
- Speaker can be inverted, giving access to controls even when mounted high up
- Black and white versions to match SONOS PLAY:1
- Fixing hardware included for Brick/Masonry or Wood/Studwork



Can be mounted
upside down



	White:	Black:
P1-WM SINGLE PRODUCT CODE:	AAV-FLXP1WM1011	AAV-FLXP1WM1021
SINGLE UPC NUMBER:	713541217423	713541217430
P1-WM2 PAIR PRODUCT CODE:	AAV-FLXP1WM2011	AAV-FLXP1WM2021
PAIR UPC NUMBER:	713541217447	713541217454
CARTON DIMENSIONS (WxHxD MM): 139mm x 74mm x 45mm (5.5" x 2.9" x 1.8")		
P1-AS SINGLE CARTON WEIGHT: 0.24Kg (0.24lbs) P1-ASX2 PAIR CARTON WEIGHT: 0.45kg (0.9lbs)		
CARTON CONTENTS: P1-WM (SINGLE): 1 x Wall mount, Wall fixings, 1 x Instructions P1-WMX2 (PAIR): 2 x Wall mount, Wall fixings, 1 x Instructions		
OUTER CARTON QUANTITY: x 4		

american
audio & video



4325 Executive Dr., Suite 300
Southaven, MS 38672
1-866-916-4667
www.americaudiovideo.com
info@americaudiovideo.com