

AXIS M7001 Video Encoder

The smallest video encoder with H.264.



- > Compact and cost-effective
- > Full frame rate in all resolutions
- > Simultaneous H.264 and Motion JPEG
- > PTZ support
- > Power over Ethernet

The one-channel AXIS M7001 Video Encoder offers a highly compact design with superb H.264 performance, providing an easy and cost-effective solution for integrating small or large numbers of analog CCTV cameras into an IP-based video surveillance system.

The palm-sized, standalone AXIS M7001 is designed for installation close to an analog camera. It supports all types of analog cameras including PTZ (pan/tilt/zoom) and PTZ domes.

AXIS M7001 is perfect for small and large analog video installations, especially where an IP network infrastructure is already in place. Its small size also makes it ideal for use in discreet surveillance applications, for example, in retail stores and banks, and in camera housings.

AXIS M7001 can deliver two simultaneous video streams, one in H.264 and another in Motion JPEG, at full frame rate in all resolutions up to D1 (720x480 in NTSC, 720x576 in PAL).

The H.264 video compression format drastically reduces bandwidth and storage requirements without compromising image quality. Motion JPEG is supported for increased flexibility. The video encoder also provides video motion detection.

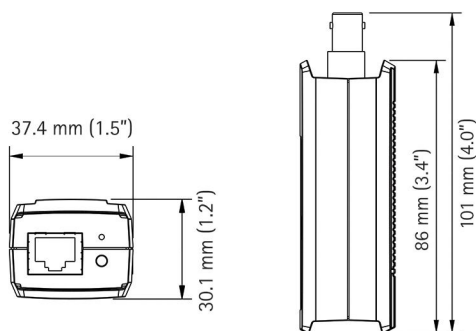
AXIS M7001 is powered over Ethernet using the same cable as for data transmission, which simplifies installation.



Technical Specifications – AXIS M7001 Video Encoder

Video		General	
Video compression	H.264 (MPEG-4 Part 10/AVC) Motion JPEG	Casing	Standalone or wall mount
Resolutions	NTSC: 720x480 to 176x120 PAL: 720x576 to 176x144	Memory	64 MB RAM, 128 MB Flash
Frame rate	H.264: 30/25 (NTSC/PAL) fps in all resolutions Motion JPEG: 30/25 (NTSC/PAL) fps in all resolutions	Power	Power over Ethernet IEEE 802.3af Class 2
Video streaming	Two simultaneous streams, one in H.264 and one in Motion JPEG, in all resolutions Controllable frame rate and bandwidth VBR/CBR H.264	Connectors	Analog composite video BNC input, NTSC/PAL auto-sensing RJ45 10BaseT/100BaseTX PoE 2.5 mm (0.1") analog composite video tele plug input RS422/RS485
Image settings	Compression, Color, Brightness, Contrast, Saturation, Rotation, Aspect ratio correction, Mirroring of images, Text overlay, Privacy mask, Deinterlace filter	Operating conditions	0 °C to 50 °C (32 °F to 122 °F) Humidity 20–80% RH (non-condensing)
Pan/Tilt/Zoom	Wide range of analog PTZ cameras supported (drivers available for download at www.axis.com) 20 presets, Guard tour, PTZ control queue Supports Windows compatible joysticks	Approvals	EN 55022 Class B, EN 61000-3-2, EN 61000-3-3, EN 55024, EN 61000-6-1, EN 61000-6-2, FCC Part 15 Subpart B Class B, ICES-003 Class B, VCCI Class B, C-tick AS/NZS CISPR 22 Class B, EN 60950-1
Network		Weight	82 g (0.18 lb)
Security	Password protection, IP address filtering, HTTPS ^a encryption, Digest authentication, User access log	Included accessories	Mounting kit, Installation Guide, CD with installation and management tools, software and User's Manual, 1 Windows decoder user license
Supported protocols	IPv4/v6, HTTP, HTTPS ^a , QoS Layer 3 DiffServ, FTP, SMTP, Bonjour, UPnP™, SNMPv1/v2c/v3 (MIB-II), DNS, DynDNS, NTP, RTSP, RTP, TCP, UDP, IGMP, RTCP, ICMP, DHCP, ARP, SOCKS	Video management software	AXIS Camera Companion (included), AXIS Camera Station and video management software from Axis' Application Development Partners (not included). For more information, see www.axis.com/products/video/software
System integration		Warranty	Axis 1-year warranty, see www.axis.com/warranty
Application Programming Interface	Open API for software integration, including VAPIX®; specifications at www.axis.com ONVIF, specification at www.onvif.org	a. <i>This product includes software developed by the OpenSSL Project for use in the OpenSSL Toolkit (http://www.openssl.org/), and cryptographic software written by Eric Young (ey@cryptsoft.com).</i>	
Intelligent video	Video motion detection	More information is available at www.axis.com	
Event triggers	Intelligent video		
Event actions	File upload: FTP, HTTP and email Notification: email, HTTP and TCP Pre- and post-alarm video buffering PTZ preset		

Dimensions



Optional accessories

1. AXIS T8310 Video Surveillance Control Board
2. Power over Ethernet midspan

