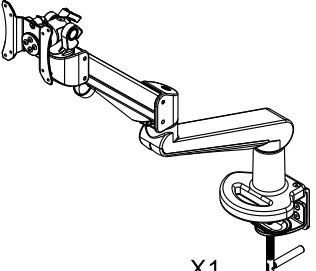


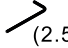










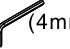



User Manual

Before assembly please spend some time reading this and follow the procedures step by step. Some panels are viewed differently from the detail drawing below. This is for extra clarity. Do not discard any of the packaging until you have checked all the parts and tools. If you are missing any of the parts, please contact your supplier.

Parts and Tools Check List

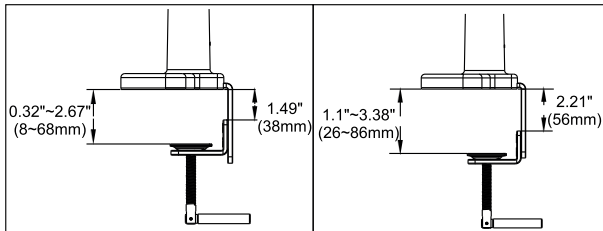
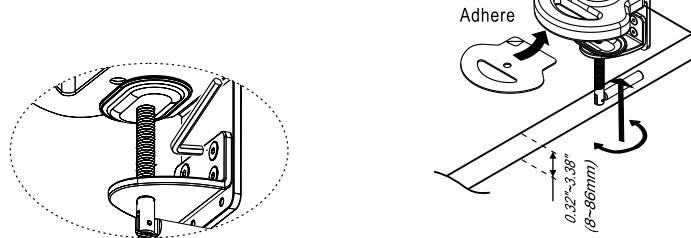
	X1		X1		X2		X1
	X1		X1		X1		X1
	X1		X4		X1		X2
	X1		X1		X1		
	X1						

Assembly Guide

Step 1

"Clamp" Assembly

Adhere the pad to the base of the clamp.
Then clamp the arm to the desk.
Fits desk thicknesses 0.32"~3.38" (8~86mm)



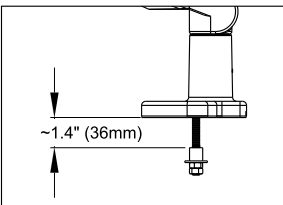
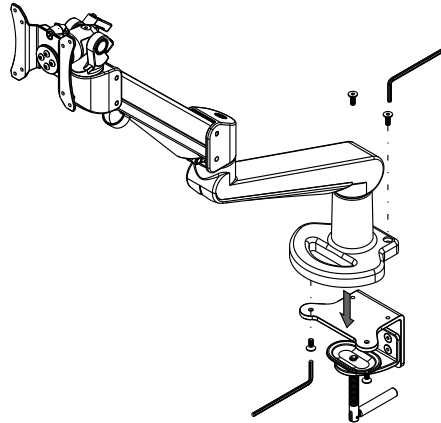
Lower Attachment Position

Upper Attachment Position

"Grommet" assembly step(1-1)

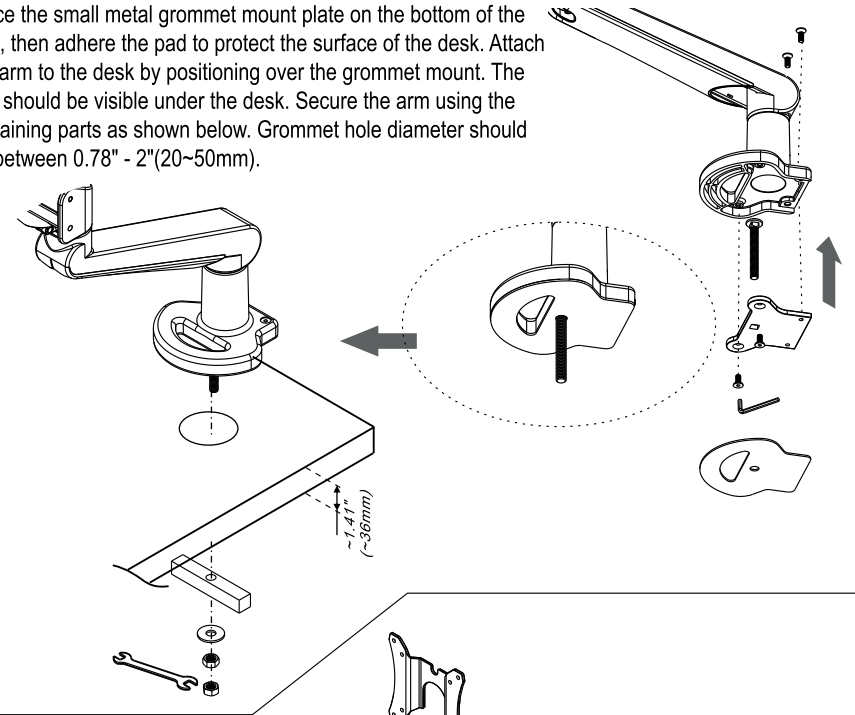
Use 4mm allen key to loosen the 4 screws, then detach clamp mount from the arm.

Note: Do not lose the screws as they will be used to attach the grommet mount.



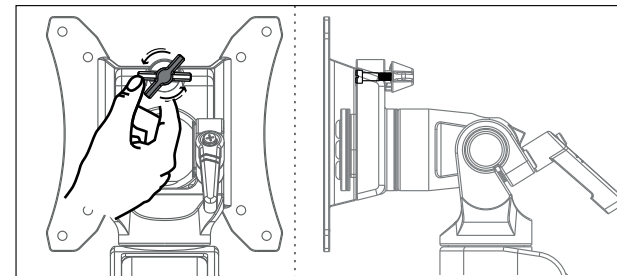
"Grommet" assembly step(1-2)

Place the small metal grommet mount plate on the bottom of the arm, then adhere the pad to protect the surface of the desk. Attach the arm to the desk by positioning over the grommet mount. The bolt should be visible under the desk. Secure the arm using the remaining parts as shown below. Grommet hole diameter should be between 0.78" - 2" (20~50mm).



Step 2

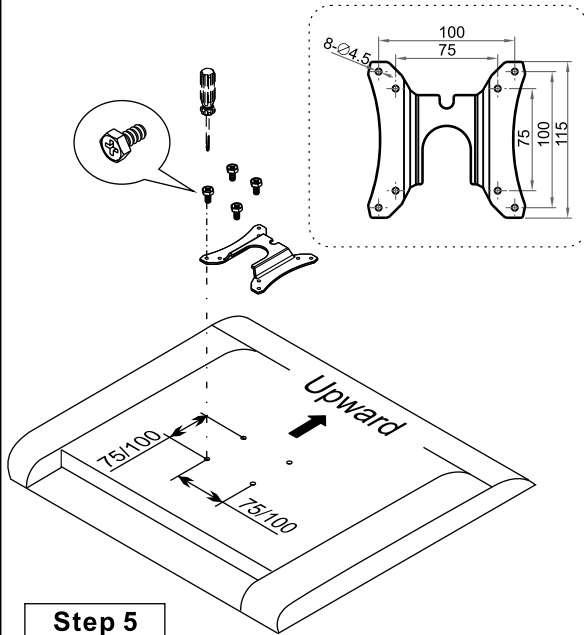
Turn the knob actuation screw back, then pull the plate upward to separate from the arm.



438-LC60

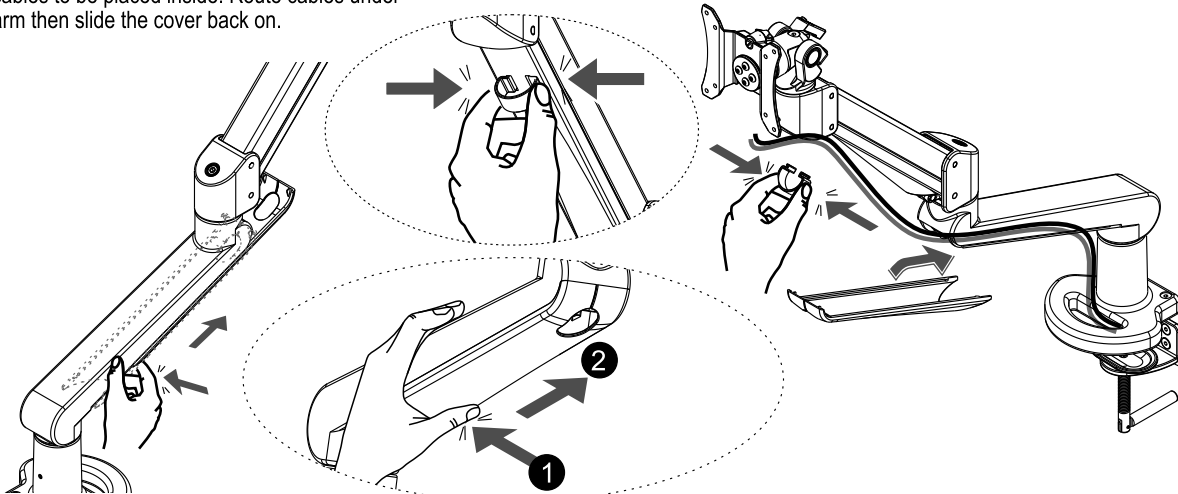
Step 3

Place LCD monitor face down on a flat surface. Align the VESA plate holes with the holes on the back of the monitor and attach using the screws provided (shown below).



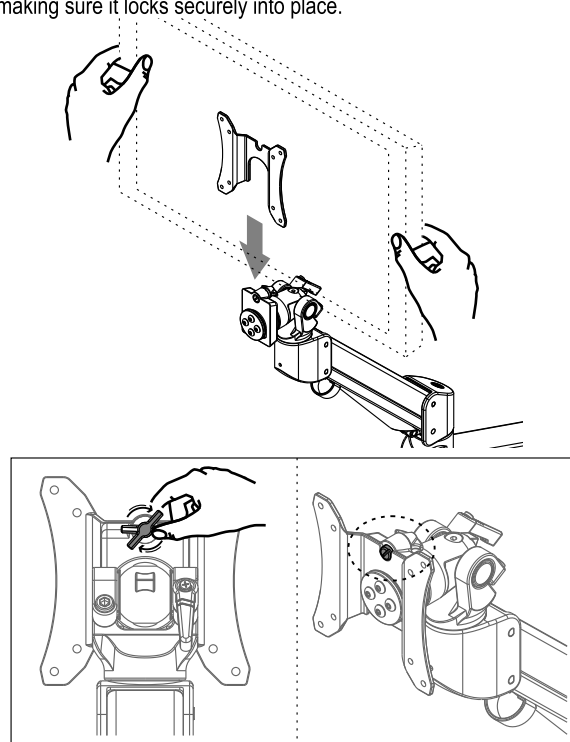
Step 5

Slide the cable cover upward to allow room for cables to be placed inside. Route cables under arm then slide the cover back on.



Step 4

Slide the monitor (with VESA plate) onto the arm making sure it locks securely into place.



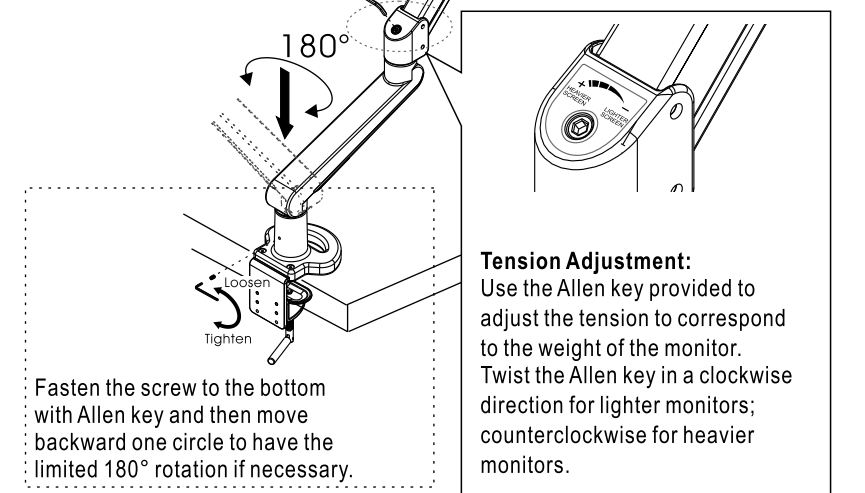
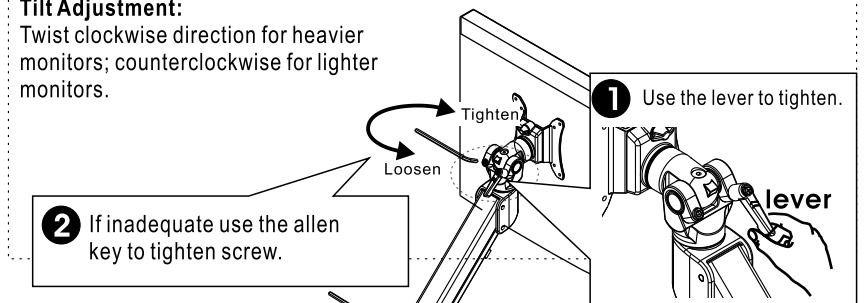
Tension Adjustment

Caution:

Support arm while adjusting tension.

Tilt Adjustment:

Twist clockwise direction for heavier monitors; counterclockwise for lighter monitors.



Tension Adjustment:

Use the Allen key provided to adjust the tension to correspond to the weight of the monitor. Twist the Allen key in a clockwise direction for lighter monitors; counterclockwise for heavier monitors.

Weight Capacity:

17.6 ~ 41.8 lbs. (8~19kg)

- Product loading capabilities are based on monitors' center of gravity less than 1.2" from the end of the VESA interface. Loading capacity could be reduced if monitor size exceeds 26 inches in width or depth of greater than 2".
- All product specifications in catalogs are subject to change without notice.

Then put the plastic cover with the screw together.

