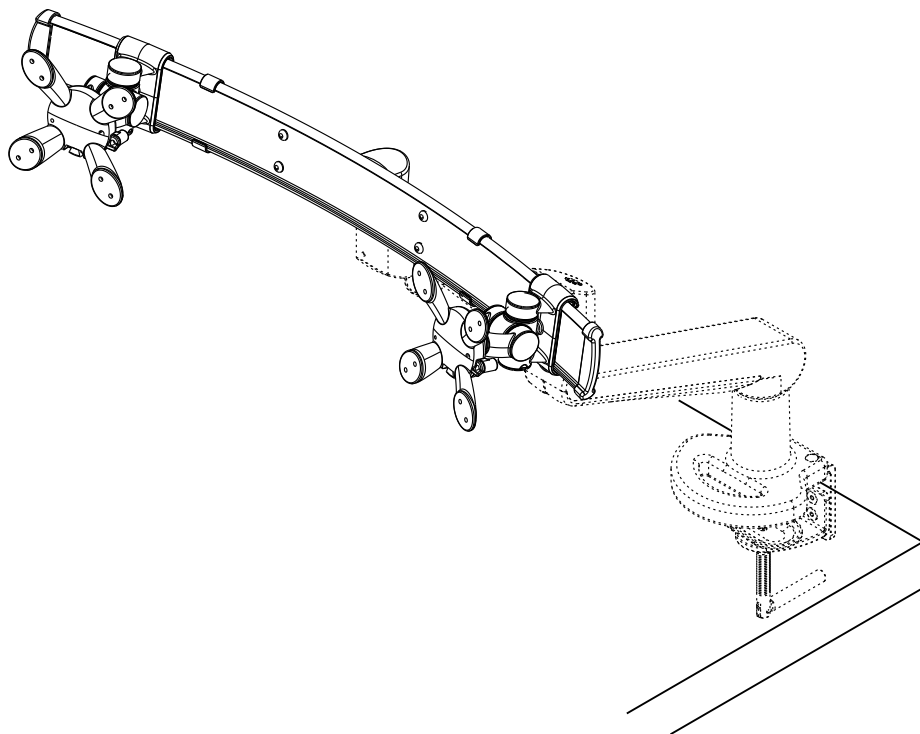


USER MANUAL

Twin Bar for LC60 Heavy Duty 438-LC62



Loading: 8~19 kg (17.6~41.8 lbs)

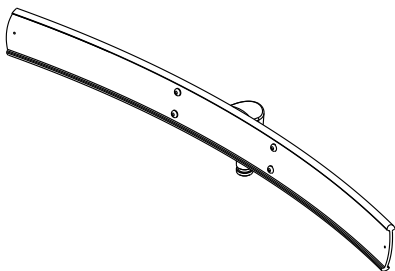
(E-M)

Assembly Guide

Before assembly please spend some time to read this and follow the procedures step by step. Some panels are viewed differently from the detail drawing below. This is for extra clarity. Do not discard any of the packaging until you have checked all the parts and the package of fittings. If you miss any of the parts, please contact the store where you purchased your products. The staff will do their best to help you .

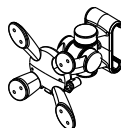
Part Check-List

01



X1

02



X2

Fitting / Tools Check-List

03



X8

04



X8

05



X2

06



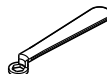
X2

07



X2

08



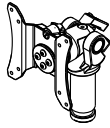
X1

Assembly Guide

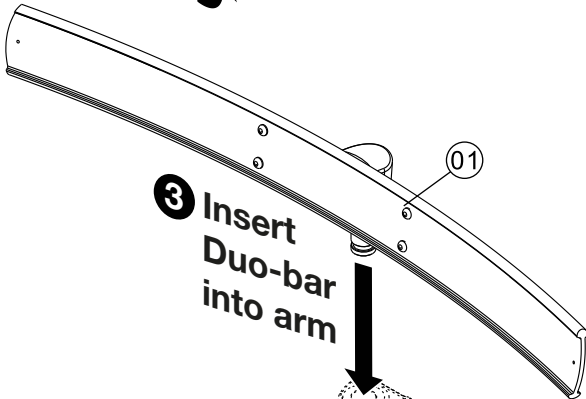
Step 1

1 Loosen small screw with Allen key by turning counter-clockwise.

2 Remove single VESA bracket



Loosen

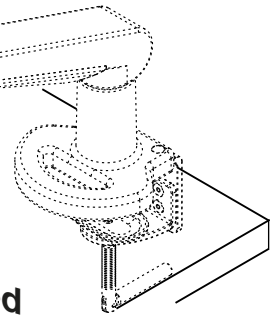
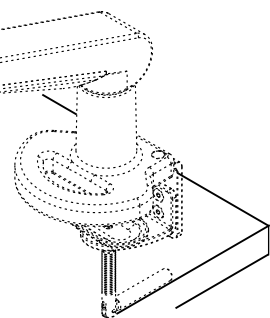


3 Insert Duo-bar into arm

01

Tighten

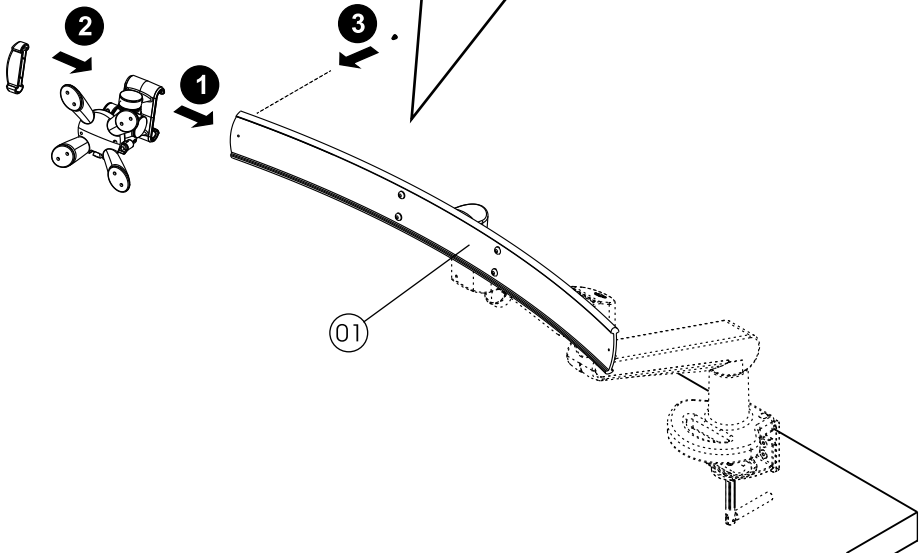
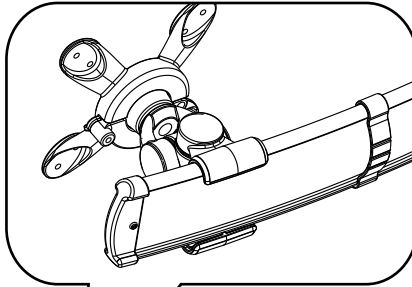
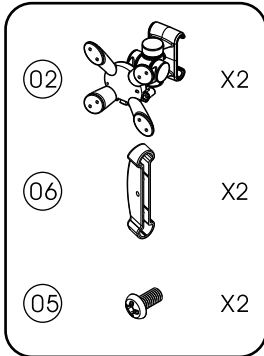
4 Tighten small screw with Allen key by turning clockwise until the arm is locked into position.



Assembly Guide

Step 2

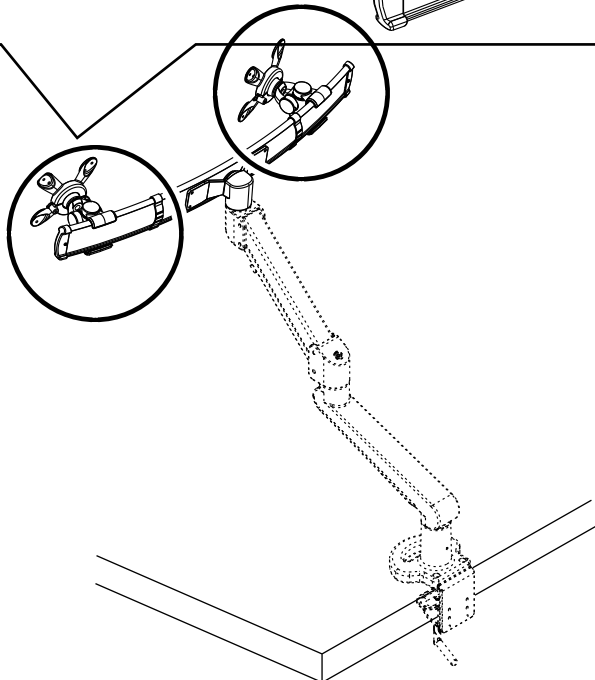
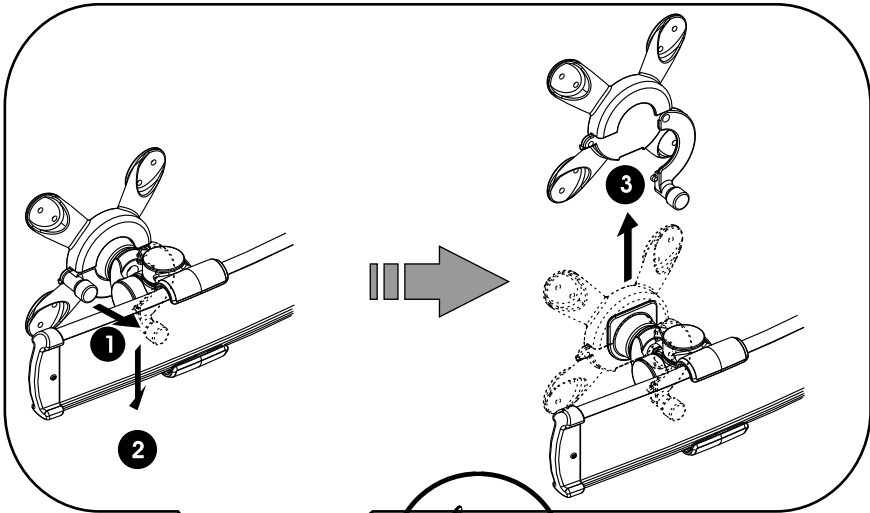
Slide the universal joint ② to the rail ①. Then cover the rail end with the side cap. Use the screw ⑤ to lock.



Assembly Guide

Step 3

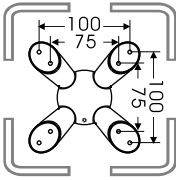
Move the knob out first then pull it down to open the VESA adapter plate switch then take it up form the universal joint .



Assembly Guide

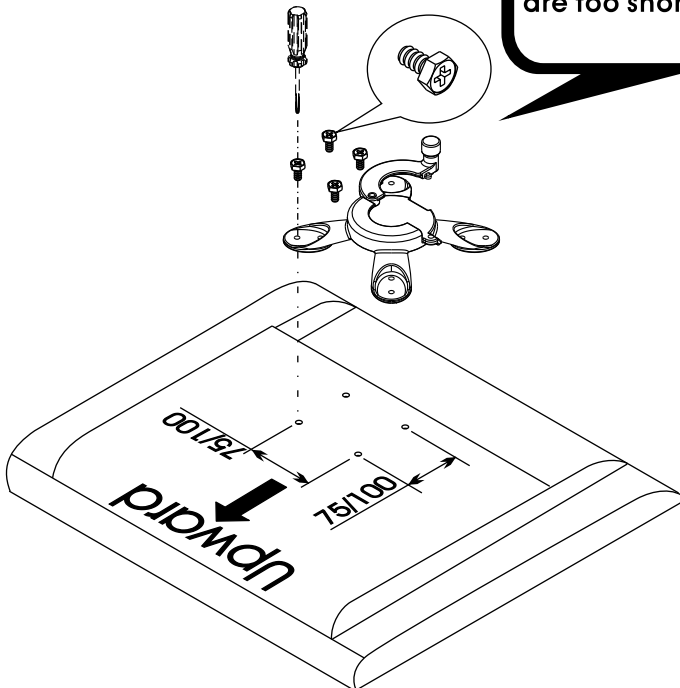
Step 4

Place LCD monitor face down on a flat surface. Align the VESA plate holes with the holes on the back of the monitor and attach using the screws provided (shown below).



75mmx75mm
100mmx100mm
VESA interface.

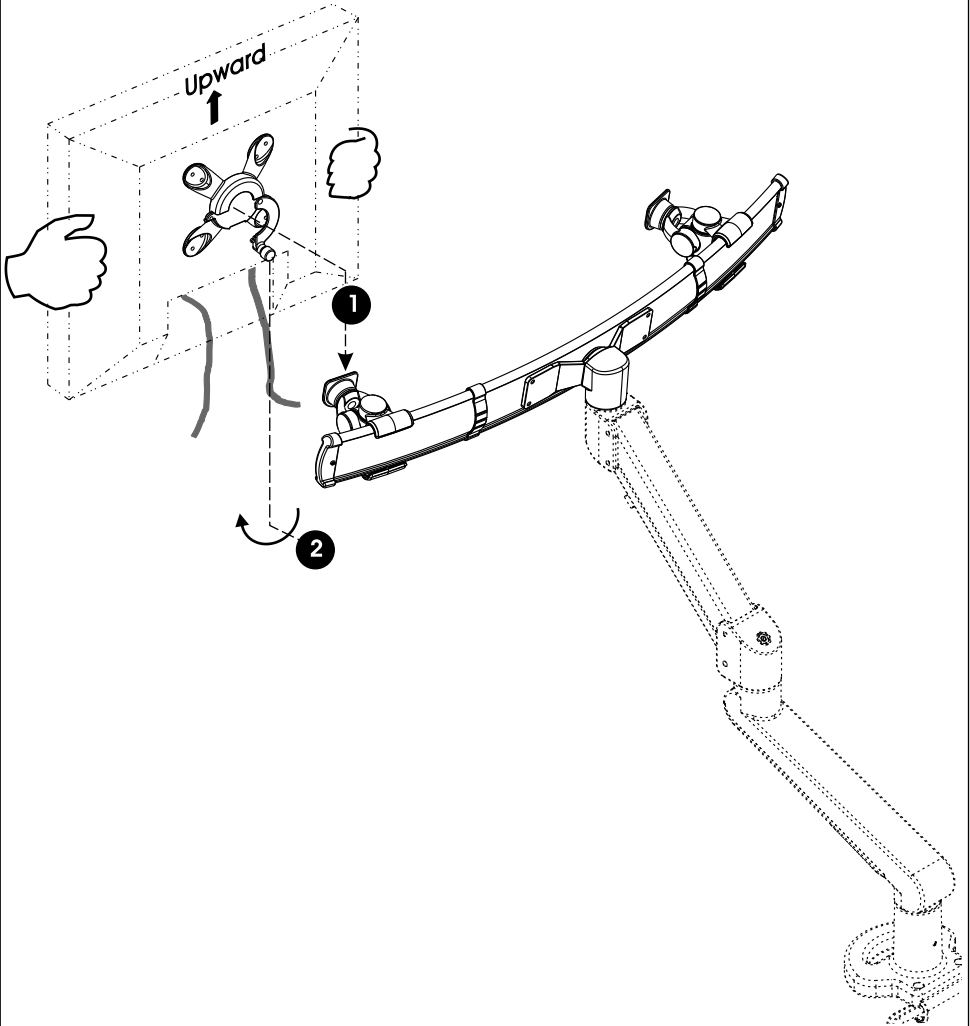
● These screws (M4/15L) are just for special monitor when the original screws are too short to fasten.



Assembly Guide

Step 5

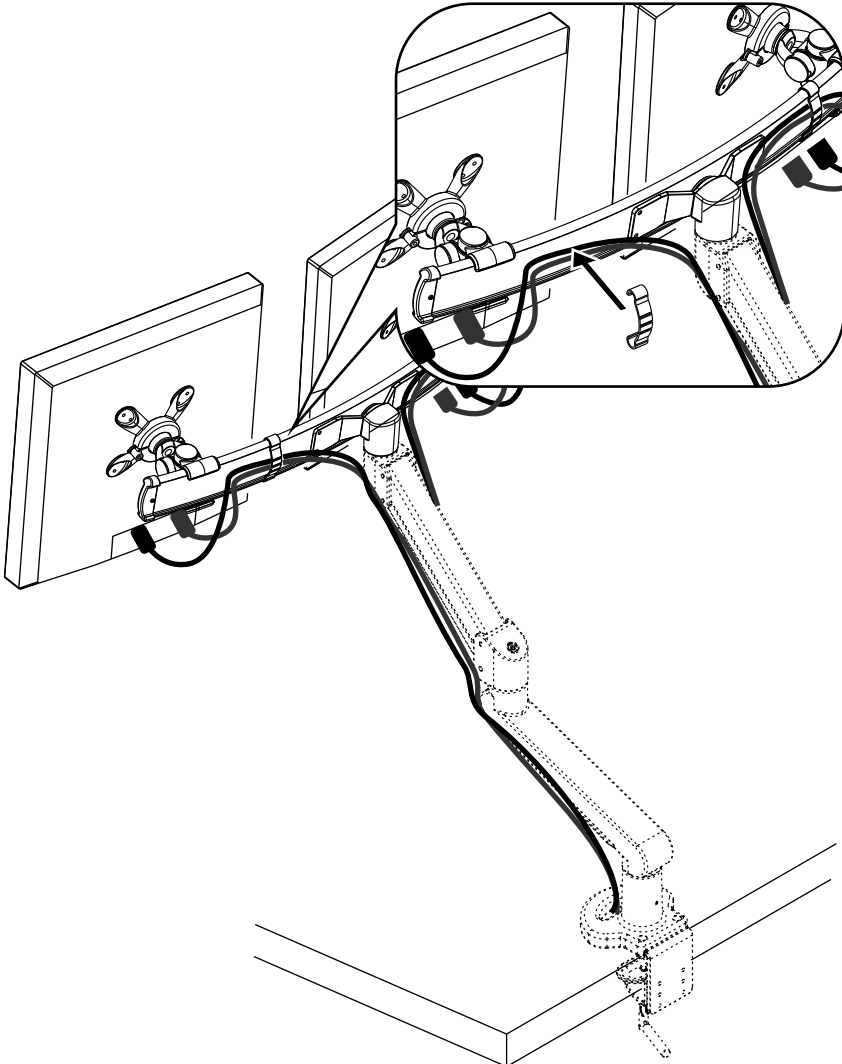
Insert the VESA adapter plate (with LCD display on already) into the universal joint and press it down. Then push the knob up. (as figure)



Assembly Guide

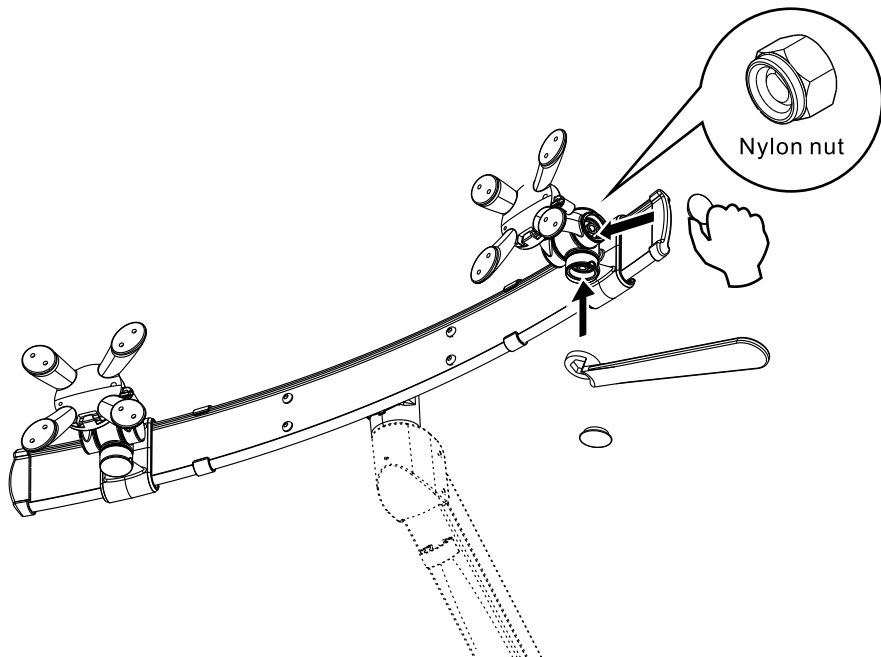
Step 6

Use the cable management of rail to manage the cables. Move the cable cover of main body up then down to open it for cable management.



Adjusting Universal Joint Tension

When assembling the arm with monitors of differing weights, you may find that the tension of the universal joint needs to be adjusted to ease movement or to maintain the desired monitor position. If so, adjust as follows:



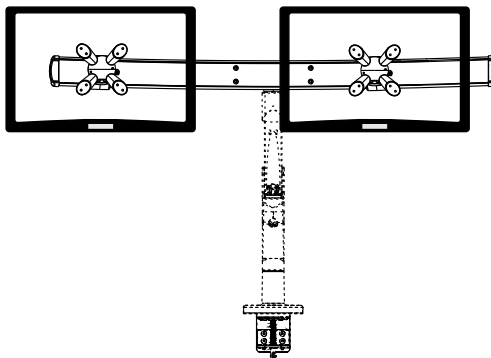
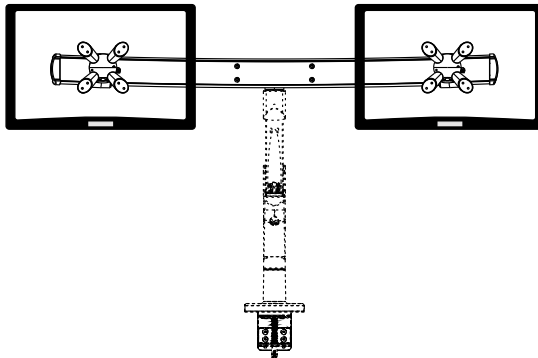
- Remove the plastic universal joint cover.
- Find the nylon nut and use the included wrench to adjust the tension.
- Use one hand to support the monitor and adjust the tension of the universal joint.
 - Clockwise : more tension
 - Counterclockwise : less tension
- When the desired tension is achieved, replace the plastic cover.

Caution:

- Support the monitor during the adjustment procedure.
- Only adjust the nylon nut .
- Do not disassemble the universal joint .

Safety Notes

The flat screen must be put in the mid of the bracket for fear of slope.



Safety Notes

Note :

Please do not move the position of monitor directly by holding the monitor. Please behind the arm and then hold on the universal joint to move the position of monitor.

