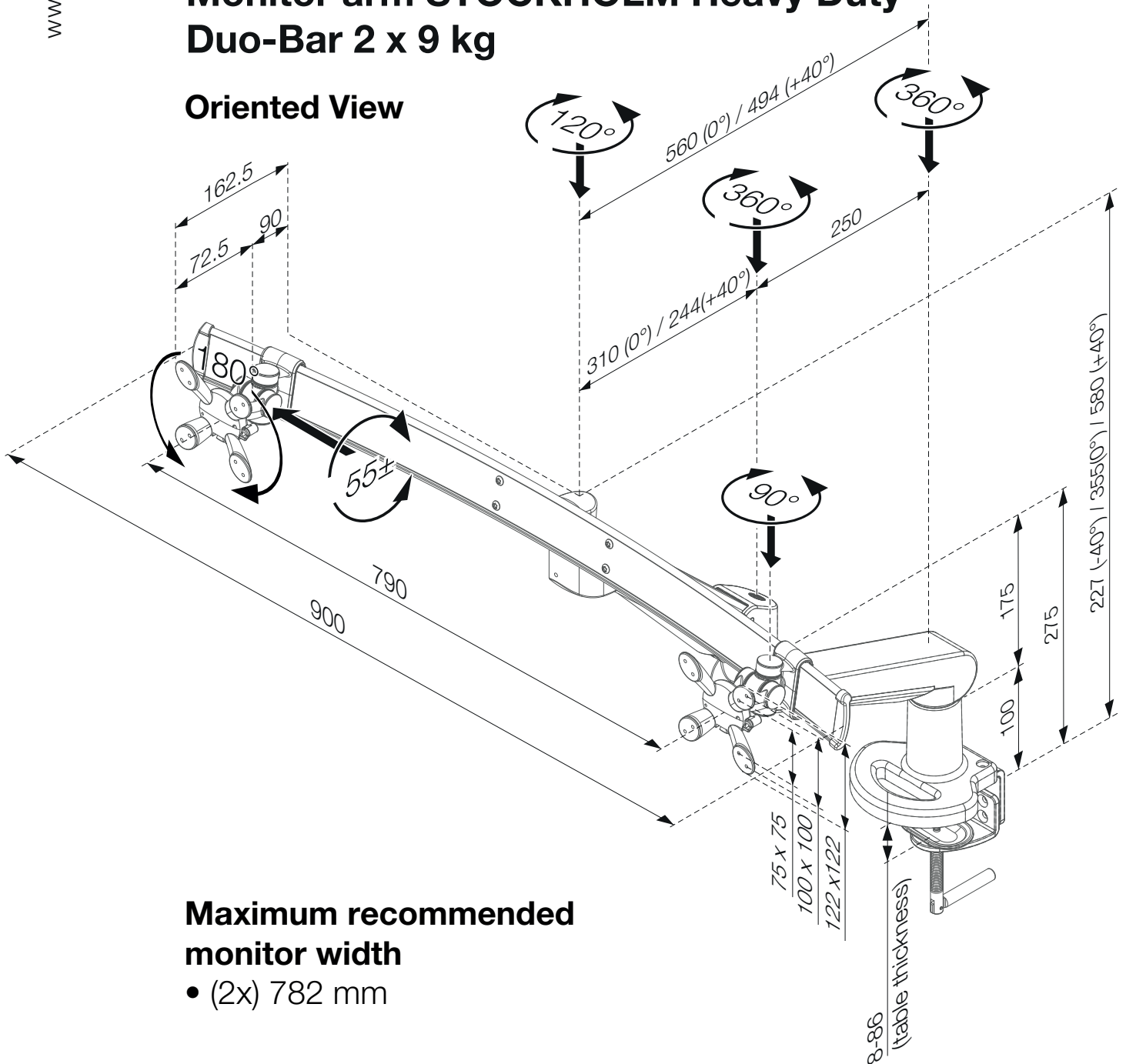




- 438-LC61
- 438-LC61W

## Monitor arm STOCKHOLM Heavy Duty Duo-Bar 2 x 9 kg

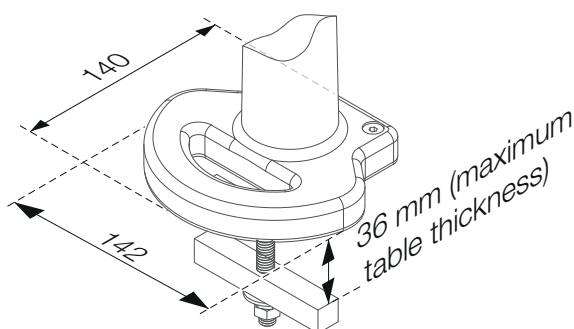
### Oriented View



### Maximum recommended monitor width

- (2x) 782 mm

### Alternative grommet clamp



### Range for table thickness

- 8-86 mm (regular clamp)
- 0-36 mm (grommet clamp)