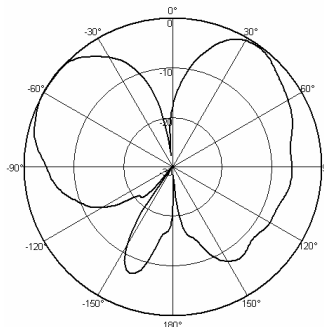




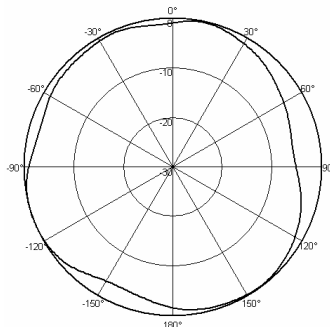
**TerraWave Solutions® 802.11n 2.4/5 GHz 2.5/4 dBi Dual-band
Mini MIMO Ceiling Mount Omnidirectional Antenna with Plenum Pigtails and RPSMA Plug Connectors**

TerraWave's new 2.4/5 GHz ceiling mount multiple-input and multiple-output (MIMO) omnidirectional antenna is designed to be operated with any manufacturer's enterprise-class 802.11n MIMO access points (APs). The antenna features six integrated 2.4 and 5 GHz dual-band omni antennas in one enclosure, making it an ideal and aesthetically pleasing antenna to support demanding applications in next generation IEEE 802.11n indoor wireless communication systems. All TerraWave antennas are covered by the Company's two-year TerraNet warranty program. For questions and to purchase product, contact a wireless networking solutions sales engineer at 210-375-8482, 800-851-4965 or sales@terrawave.com. Visit www.terrawave.com for additional information.

Specifications	
Model	M6025040MO1D3620P
Frequency Range	2400 ~ 2483 / 5150 ~ 5850 MHz
Bandwidth	83 / 700 MHz
Gain	2.5 / 4 dBi
Vertical Beamwidth	55° / 60°
Horizontal Beamwidth	360°
VSWR	≤ 2.0 / ≤ 2.5
Nominal Impedance	50 Ohms
Polarization	Vertical
Max Power	50 Watts
Connector	RPSMA Plug
Pigtail Length	36" Plenum
Dimensions	7.1" x 5.1" x 1.9"
Weight	0.68 lbs
Operating Temperature Range	-40°F to +158°F
Mounting Style	Ceiling Mount

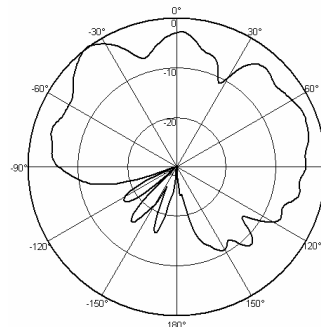


E-Plane Pattern

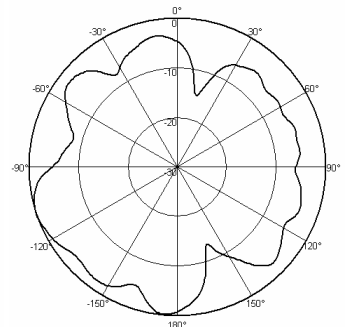


H-Plane Pattern

2.4 GHz



E-Plane Pattern



H-Plane Pattern

5 GHz



TerraWave Solutions® 802.11n 2.4/5 GHz 2.5/4 dBi Dual-band
Mini MIMO Ceiling Mount Omnidirectional Antenna with Plenum Pigtails and RPSMA Plug Connectors

Mounting Information for M6025040MO1D3620P

