

# TRB142

## RS232 LTE GATEWAY BOARD

Industrial LTE Cat 1 Gateway Board TRB142 is equipped with an RS232 Interface, Digital Inputs/Outputs and a microUSB port. TRB142 compact design makes this Gateway perfect for an application where a sole gadget must be remotely controlled over the RS232 Interface. TRB142 is engineered to be used in Industrial applications, therefore, it has a wide range of software features such as SMS control, Firewall, OpenVPN, IPsec, RMS and FOTA support.



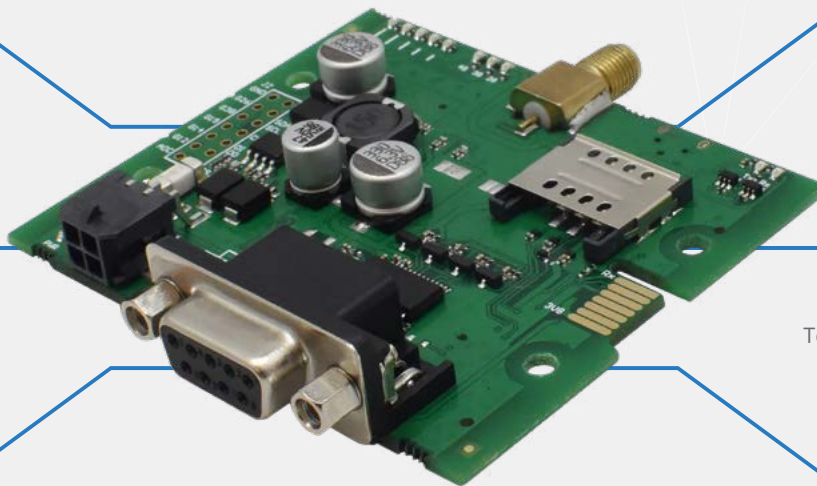
RS232 is an Industrial standard for serial communication



LTE Cat 1 for M2M/IoT communications



Compact size, easy integration



Wide range of power supply voltages



Teltonika Remote Management System compatible



OpenLinux based OS allows high software customisation

### EFFICIENT

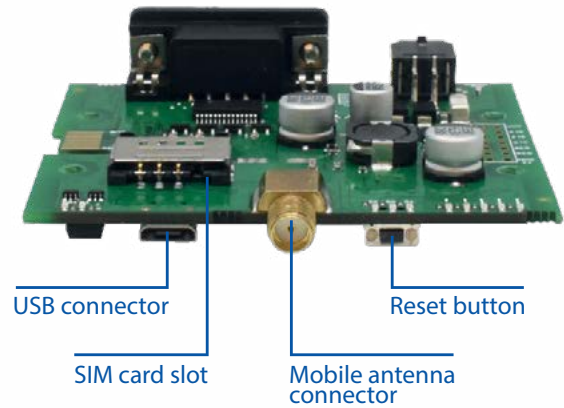
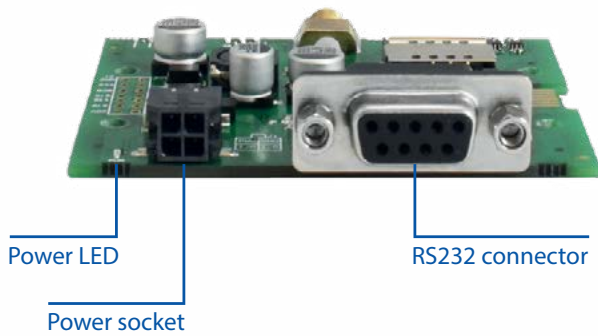
- Easy Integration
- Compact size
- Low Power consumption

### ADVANCED

- LTE Cat 1 for M2M via RS232
- High Performance
- Open platform with SDK

### SECURE

- OpenVPN and IPsec
- Embedded Firewall
- Encrypted management with Remote Management System



### Hardware

Mobile	LTE (Cat1)/3G/2G
SIM slot	Mini SIM (2FF)
Antenna connector	1 x SMA for LTE
RS232	DB9 socket, 5 pin configuration with flow control, baud rate 300 - 115200
Input/Output	2 x Digital/Analog Inputs/Outputs (configurable)
CPU	ARM Cortex-A7 1.2 GHz CPU
RAM	128 MBytes (50 MBytes available for userspace)
Flash	512 MBytes (70 MBytes available for userspace)
Input voltage range	9 - 30 VDC
Power connector	4 pin industrial DC power socket
Configuration interface	Virtual NIC via Micro-USB connector
LED Indicators	Power, signal, network and data status LEDs
Operating temperature	-40° C to 75° C
Dimensions	60 mm x 70 mm x 18 mm
Weight	37.5 g

### Software

Operating system	Linux OS with Yocto SDK (offering high software customisation)
Network	NAT, Firewall (port forward, traffic rules, custom rules), DDNS ( >25 service providers supported)
RS232 related services	Modbus, Serial over IP, NTRIP
Remote management	RMS Support, FOTA support, SSH, CLI, SMS Utilities (status/configuration)
Status watchdogs	Ping reboot, periodic reboot
Additional features	Internet connectivity over USB virtual network interface

