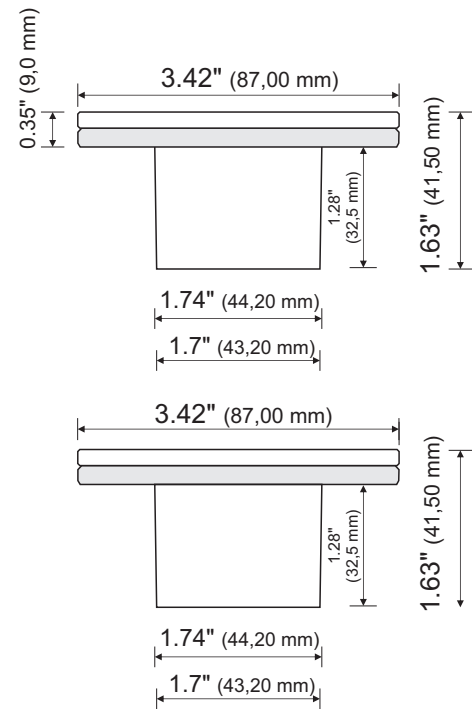


Scale 1:1
(Dimensions are in inch (mm))



Scale 1:2
(Dimensions are in inch (mm))

- Power supply: 90 – 260 VAC input, 50/60Hz frequency
- Neutral wire required
- Wi-Fi connection required
- Standby power: < 0.5W
- Supports any bulb (incandescent, fluorescent, LED)
- Max 600W per output
- Not suitable for 3-pole switches, use only as 2-pole “breaker switch”
- Working temperature: -10 ÷ +70 °C

Description: lotty DE 2T white 85x85 EU mechanical and electrical features	
Rev: 1.2	
Date: 2017/09/22	