



SILVERSTONE[®]
Designing Inspiration

Quick Installation Guide of RMS05-22



Introduction

The RMS05-22 is designed to support mounting of SilverStone's RM series chassis into server rack cabinets. Produced with precision mounting holes and high-strength steel, this product provides secure and convenient link between chassis and server rack cabinets. In addition to tool-less designs, there are also provisions for screw mounts for extra security.

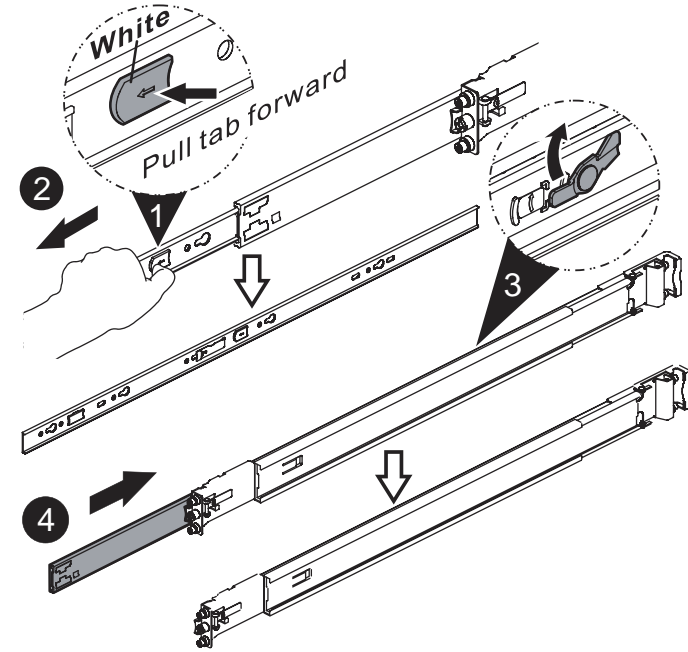
Special Features

- Tool-less design
- Maximum loading up to 77.16 pounds (35kg)
- Supports 3U and 4U form factor
- Supports 440mm wide chassis

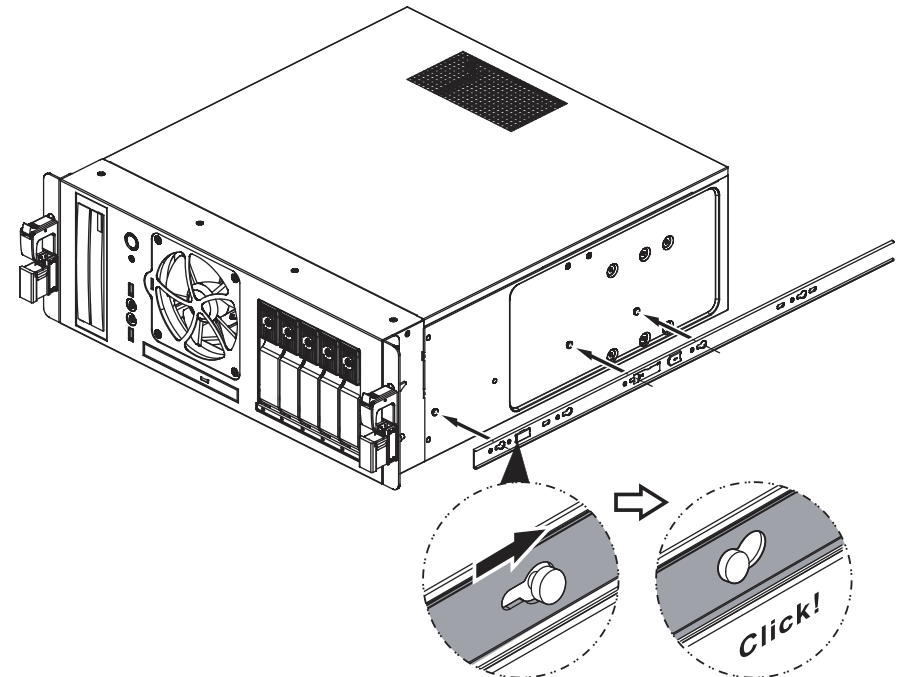
Specifications

Model No.	SST-RMS05-22
Material	Steel
Support max. weight	35kg
Net Weight	2.8kg
Dimension	611mm (W) x 38mm (H) x 12.5mm (D)

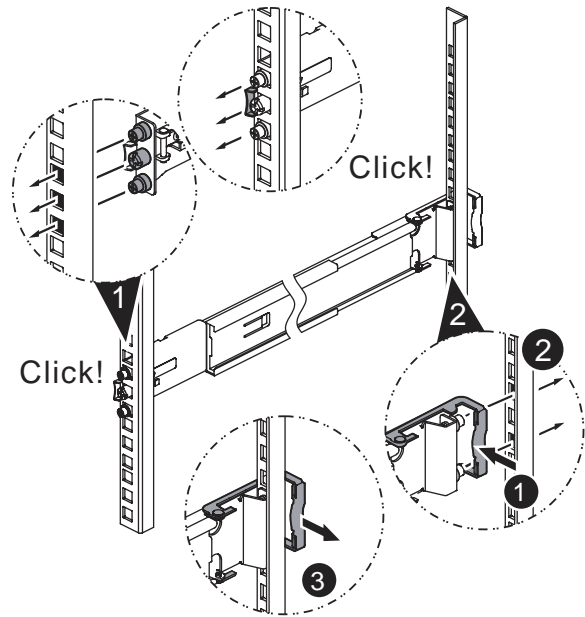
1) Release and detach the inner member from the slide.



2) Attach inner member to the chassis.



3) Attach outer member to the rack.



4) Insert the chassis to complete the installation.

Step 1.

Pull the middle member fully extended in locked position.

Step 2.

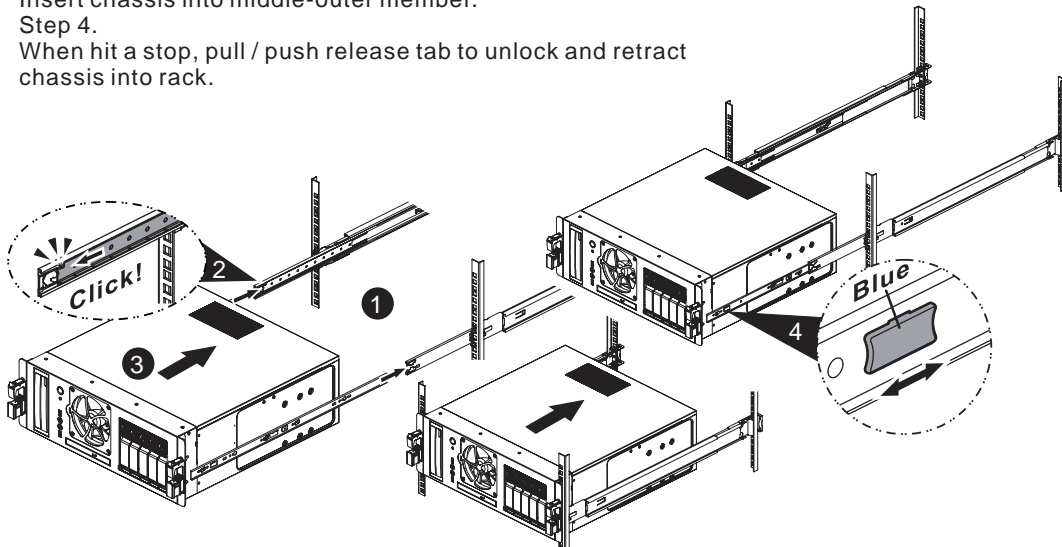
Ensure ball bearing retainer is located at the front of the middle member.

Step 3.

Insert chassis into middle-outer member.

Step 4.

When hit a stop, pull / push release tab to unlock and retract chassis into rack.



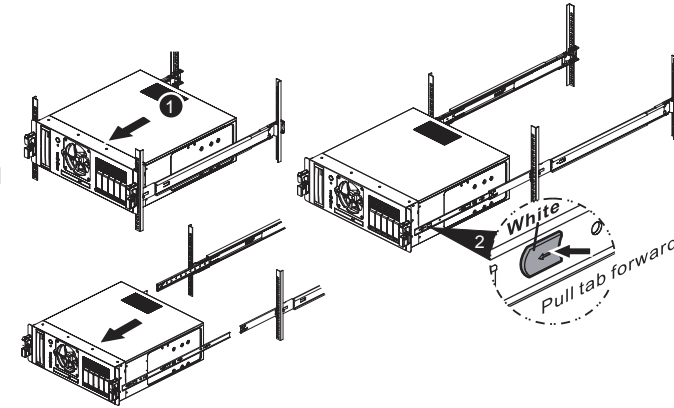
5) Remove the chassis from the rack.

Step 1.

Pull the rails fully extended in locked position.

Step 2.

Pull the disconnect tab forward to remove chassis.



Warranty Information

This product has a limited 1 year warranty in North America and Australia.

For information on warranty periods in other regions, please contact your reseller or SilverStone authorized distributor.

Warranty terms & conditions

1. Product component defects or damages resulted from defective production is covered under warranty. Defects or damages with the following conditions will be fixed or replaced under SilverStone Technology's jurisdiction.
 - a) Usage in accordance with instructions provided in this manual, with no misuse, overuse, or other inappropriate actions.
 - b) Damage not caused by natural disaster (thunder, fire, earthquake, flood, salt, wind, insect, animals, etc...)
 - c) Product is not disassembled, modified, or fixed. Components not disassembled or replaced.
 - d) Warranty mark/stickers are not removed or broken.

Loss or damages resulted from conditions other than ones listed above are not covered under warranty.
2. Under warranty, SilverStone Technology's maximum liability is limited to the current market value for the product (depreciated value, excluding shipping, handling, and other fees). SilverStone Technology is not responsible for other damages or loss associated with the use of product.
3. Under warranty, SilverStone Technology is obligated to repair or replace its defective products. Under no circumstances will SilverStone Technology be liable for damages in connection with the sale, purchase, or use including but not limited to loss of data, loss of business, loss of profits, loss of use of the product or incidental or consequential damage whether or not foreseeable and whether or not based on breach of warranty, contract or negligence, even if SilverStone Technology has been advised of the possibility of such damages.
4. Warranty covers only the original purchaser through authorized SilverStone distributors and resellers and is not transferable to a second hand purchaser.
5. You must provide sales receipt or invoice with clear indication of purchase date to determine warranty eligibility.
6. If a problem develops during the warranty period, please contact your retailer/reseller/SilverStone authorized distributors or SilverStone <http://www.silverstonetek.com>. Please note that: (i) You must provide proof of original purchase of the product by a dated itemized receipt; (ii) You shall bear the cost of shipping (or otherwise transporting) the product to SilverStone authorized distributors. SilverStone authorized distributors will bear the cost of shipping (or otherwise transporting) the product back to you after completing the warranty service; (iii) Before you send the product, you must be issued a Return Merchandise Authorization ("RMA") number from SilverStone. Updated warranty information will be posted on SilverStone's official website. Please visit <http://www.silverstonetek.com> for the latest updates.

Additional info & contacts

For North America (usasupport@silverstonetek.com)

SilverStone Technology in North America may repair or replace defective product with refurbished product that is not new but has been functionally tested. Replacement product will be warranted for remainder of the warranty period or thirty days, whichever is longer. All products should be sent back to the place of purchase if it is within 30 days of purchase, after 30 days, customers need to initiate RMA procedure with SilverStone Technology in USA by first downloading the "USA RMA form for end-users" form from the below link and follow its instructions. <http://silverstonetek.com/contactus.php>

For Australia only (support@silverstonetek.com)

Our goods come with guarantees that cannot be excluded under the Australian Consumer Law. You are entitled to a replacement or refund for a major failure and for compensation for any other reasonably foreseeable loss or damage. You are also entitled to have the goods repaired or replaced if the goods fail to be of acceptable quality and the failure does not amount to a major failure. Please refer to above "Warranty terms & conditions" for further warranty details.

SilverStone Technology Co., Ltd. 12F No. 168 Jiankang Rd., Zhonghe Dist., New Taipei City 235 Taiwan R.O.C. + 886-2-8228-1238 (standard international call charges apply)

For Europe (support.eu@silverstonetek.de)
For all other regions (support@silverstonetek.com)

G11227800