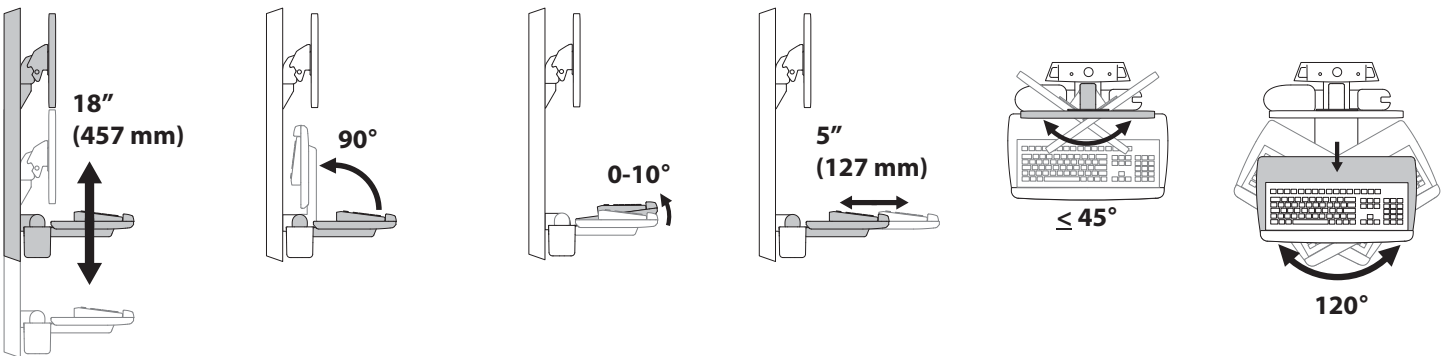
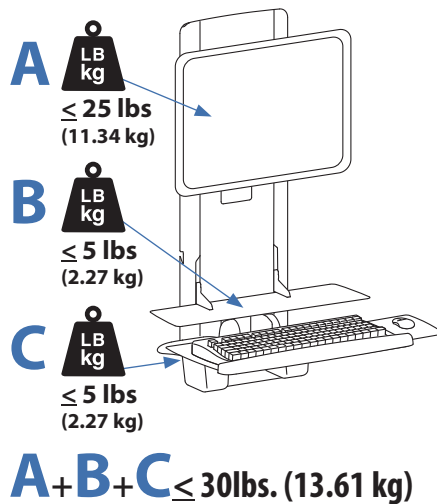


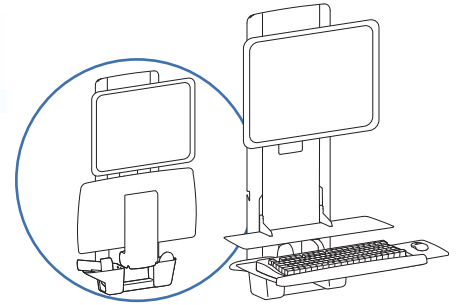
Range of motion



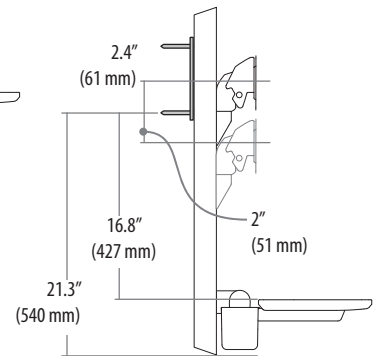
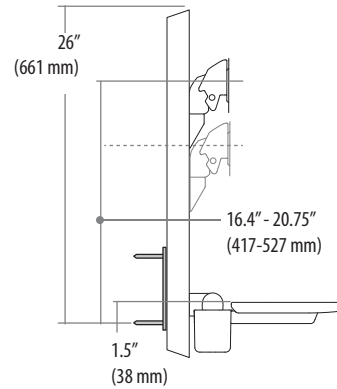
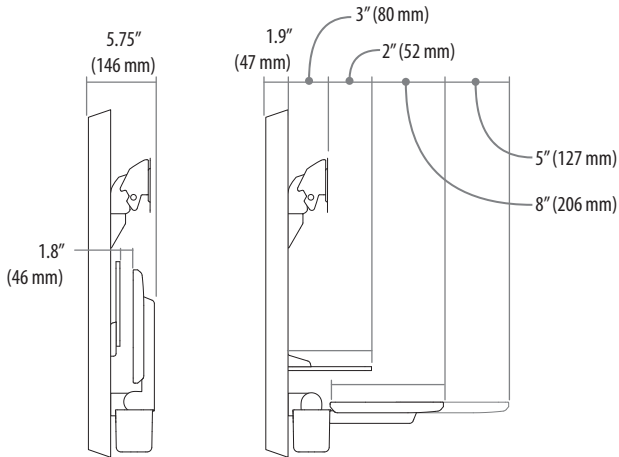
Weight Capacity



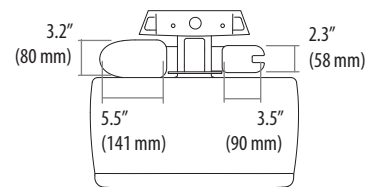
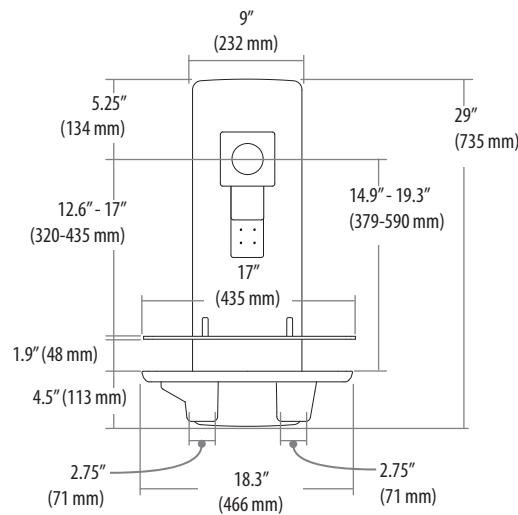
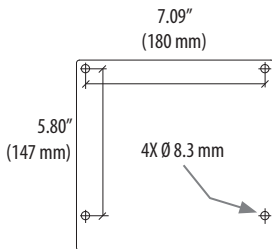
StyleView Sit-Stand VL, Patient Room



Dimensions



Wall Mount Bracket



© 2014 Ergotron, Inc. rev. 03/17/2015 DIM-SV-VL-PR Content is subject to change without notification

Americas Sales and Corporate Headquarters

St. Paul, MN USA
 (800) 888-8458
 +1-651-681-7600
www.ergotron.com
sales@ergotron.com

EMEA Sales

Amersfoort, The Netherlands
 +31 33 45 45 600
www.ergotron.com
info.eu@ergotron.com

APAC Sales

Tokyo, Japan
www.ergotron.com
apaccustomerservice@ergotron.com

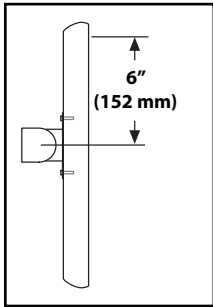
Worldwide OEM Sales

www.ergotron.com
info.oem@ergotron.com

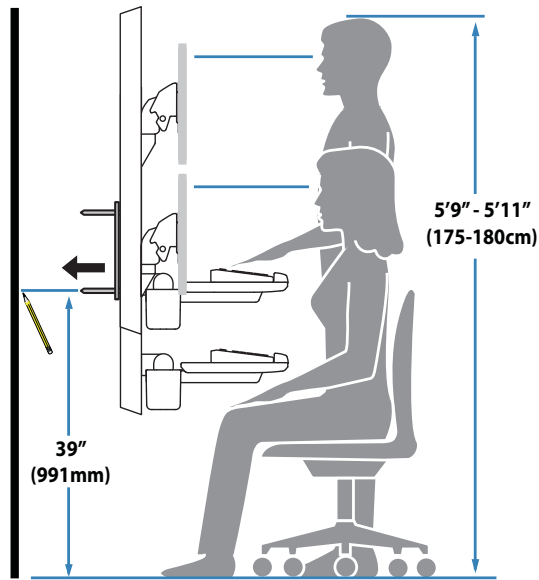


Mounting Height for Ergonomic Workstation

This mounting height is a recommendation for an ergonomic workstation that accommodates user heights of 5'9" - 5' 11"
If user heights are different than this, you should change mounting height to accommodate user heights.
(Change mounting height one inch for every one inch difference in user heights).



Mounting height assumes there is a 6" (152 mm) distance between the center of your monitor mounting holes and the top of the screen. If your distance is smaller, you should increase mounting height accordingly, if your distance is larger, you should decrease your mounting height accordingly.



© 2014 Ergotron, Inc. rev. 03/17/2015 DIM-SV-VL-PR Content is subject to change without notification

Americas Sales and Corporate Headquarters

St. Paul, MN USA
(800) 888-8458
+1-651-681-7600
www.ergotron.com
sales@ergotron.com

EMEA Sales

Amersfoort, The Netherlands
+31 33 45 45 600
www.ergotron.com
info.eu@ergotron.com

APAC Sales

Tokyo, Japan
www.ergotron.com
apaccustomerservice@ergotron.com

Worldwide OEM Sales

www.ergotron.com
info.oem@ergotron.com

