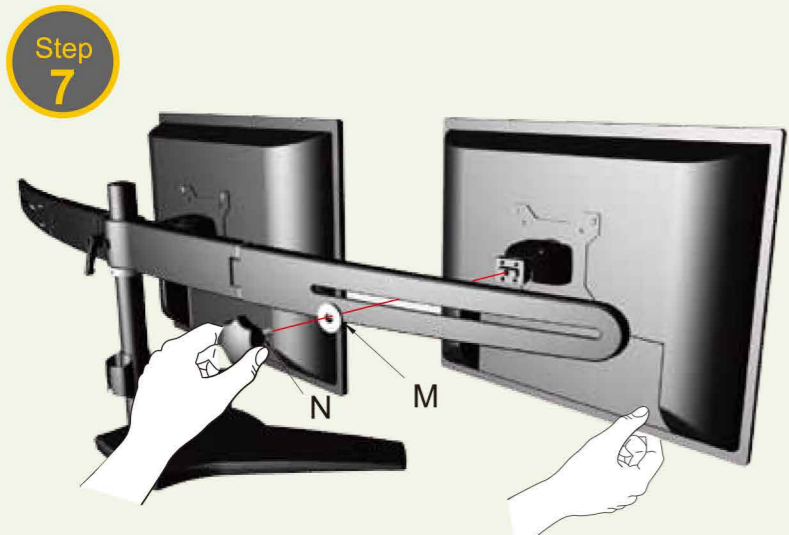
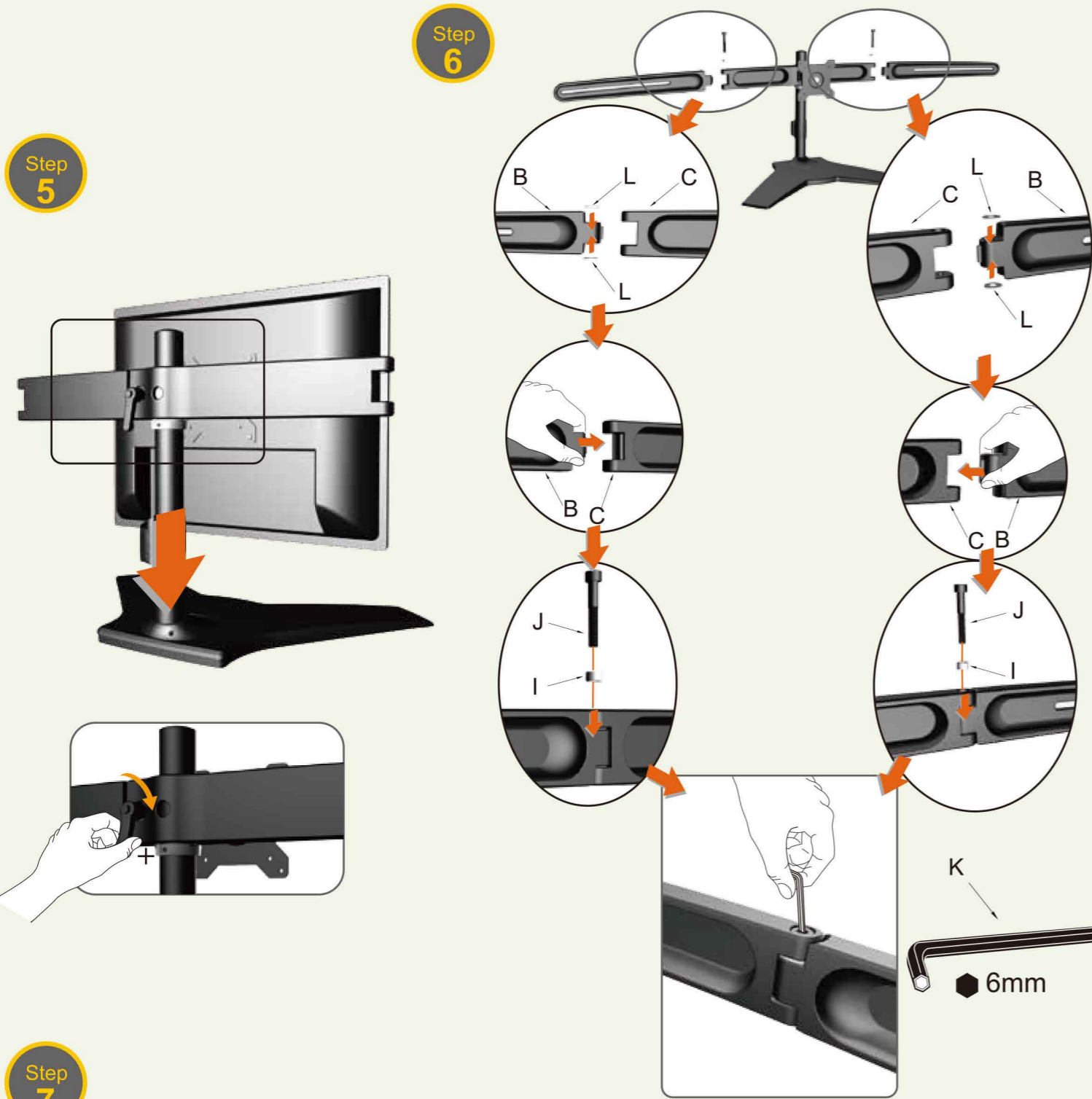
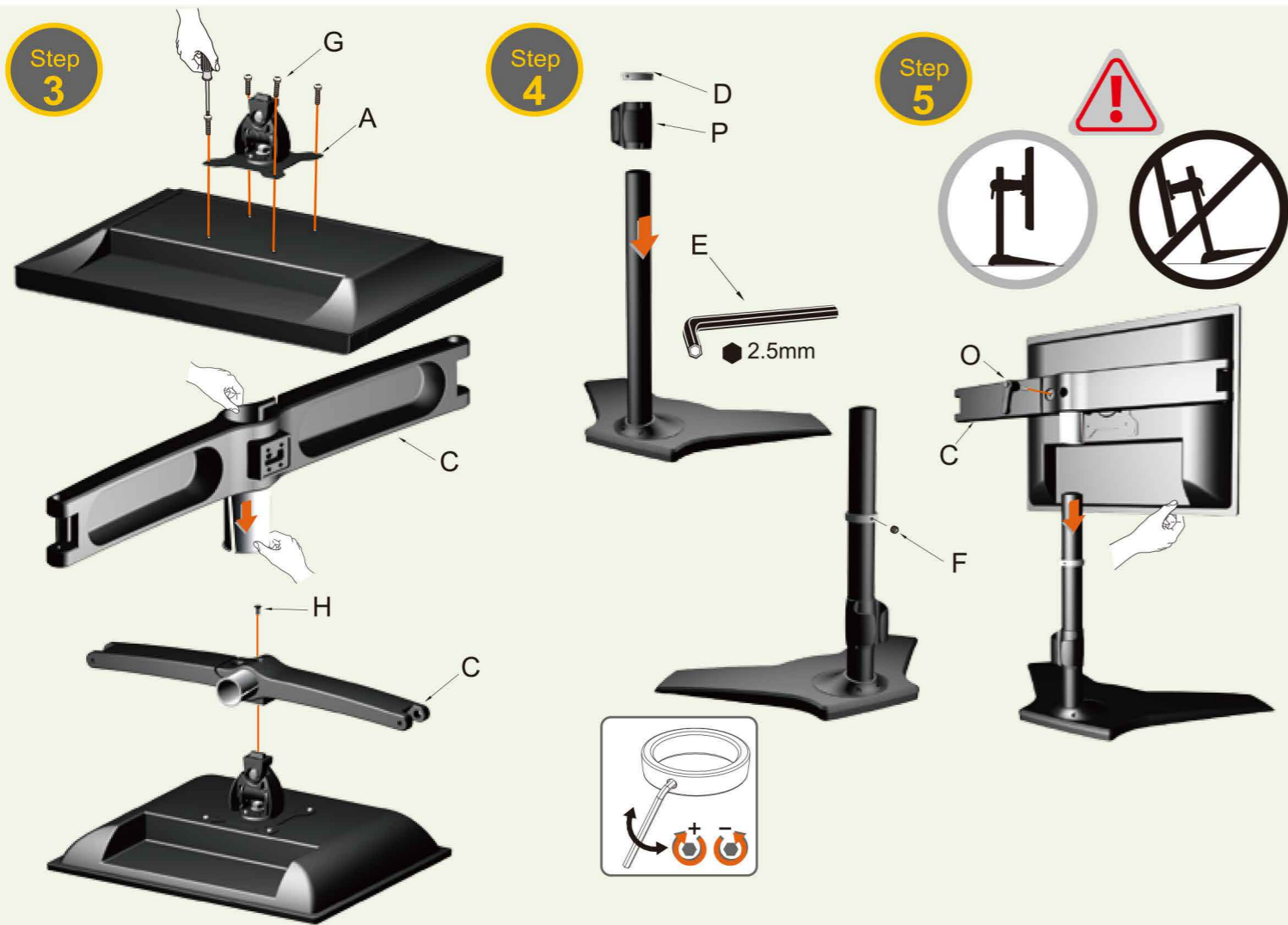
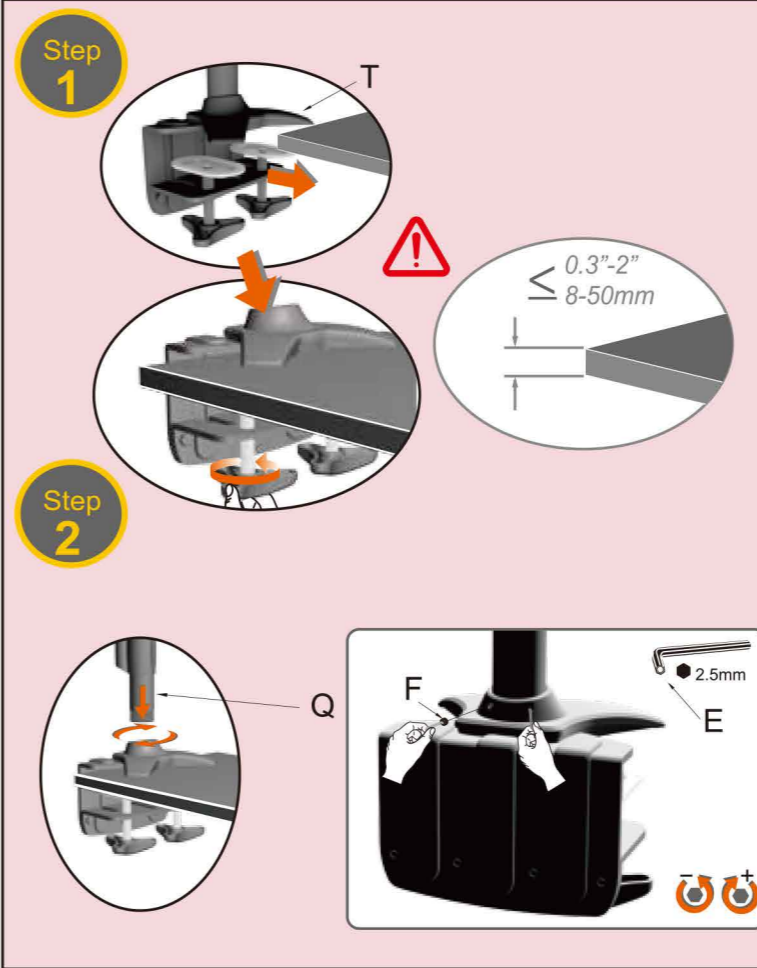


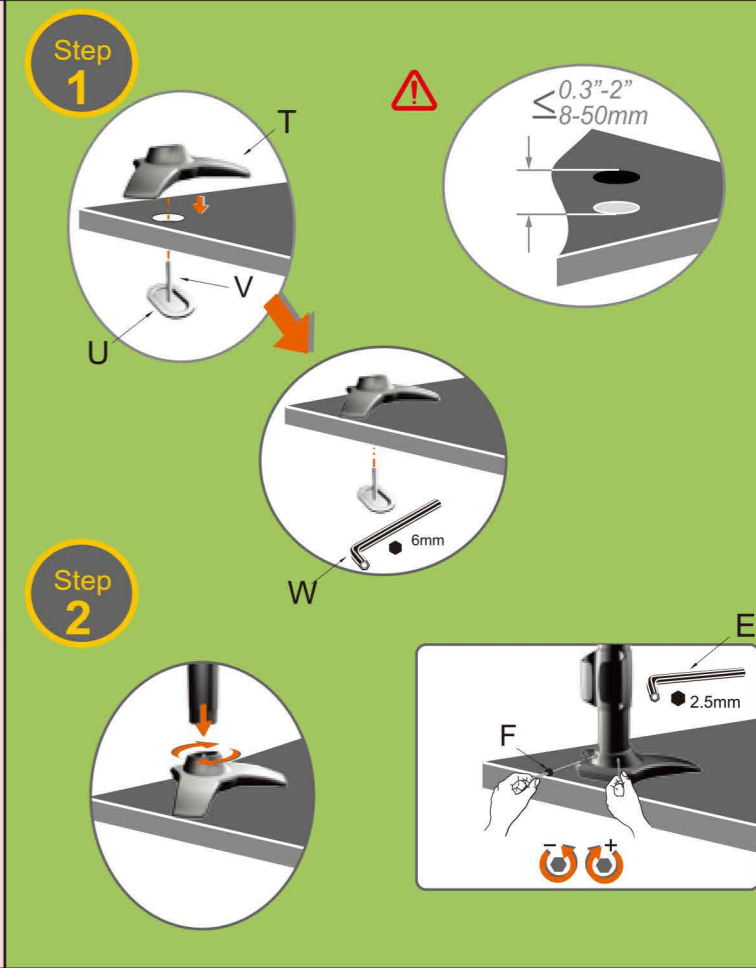
(Triple Type) Installation Process



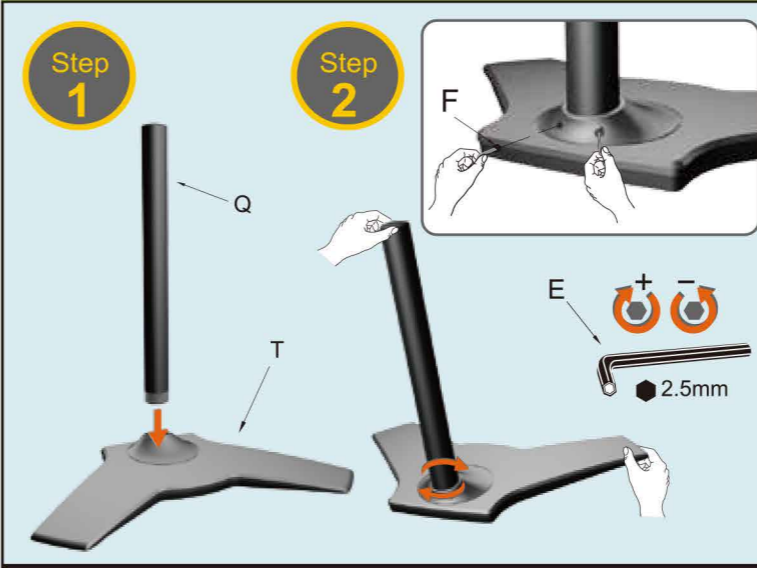
Desk Clamp Base



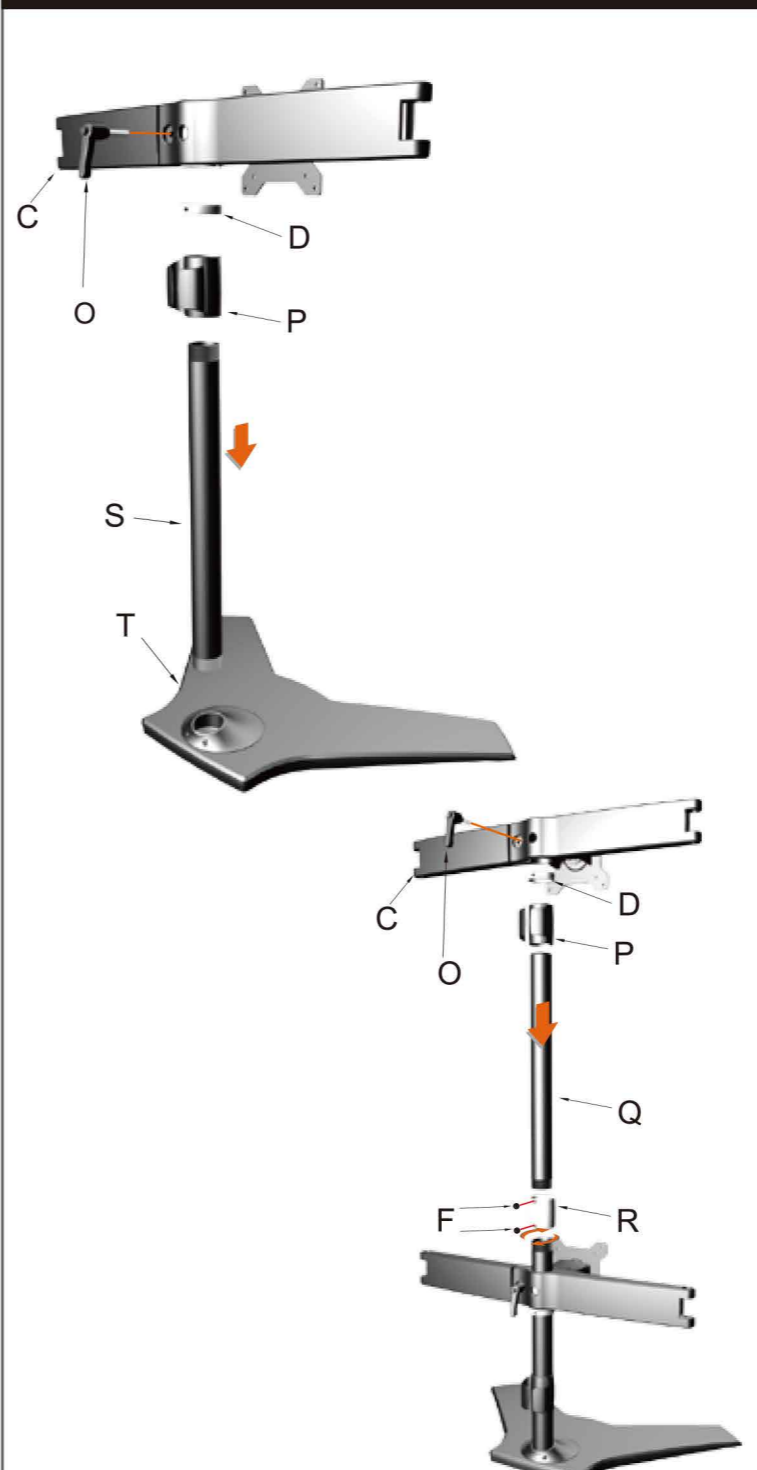
Grommet Mount Base



Desk Stand



Additional Installation Process (For Sextette Model only)



Swivel & Tilt ; Rotate(Pivot) / Torque Adjust

