

CAUTION:

- Potential hazard of glass particles if lamp ruptures. Please have a Sharp Authorized Projector Dealer or Service Center* replace lamp if rupture occurs.
- Do not remove the lamp unit directly after operation of the projector. The lamp may be extremely hot. Wait at least one hour after the power cord is disconnected to allow the surface of the lamp unit to fully cool before removing the lamp unit.

- It is recommended that the lamp (sold separately) be replaced when the remaining lamp life becomes 5% or less, or when you notice a significant deterioration in the picture and color quality. The lamp life (percentage) can be checked with the on-screen display.

IMPORTANT NOTE TO U.S. CUSTOMERS:

The lamp included with this projector is backed by a 90-day parts and labor limited warranty. All service of this projector under warranty, including lamp replacement, must be obtained through a Sharp Authorized Projector Dealer or Service Center*. For the name of the nearest Sharp Authorized Projector Dealer or Service Center*, please call toll-free: 1-888-GO-SHARP (1-888-467-4277).

Hg LAMP CONTAINS MERCURY For State Lamp Disposal Information
www.lamprecycle.org or 1-800-BE-SHARP

U.S.A. ONLY

* Confirm the name of the Dealer or Service Center referring to your projector operation manual.

Removing and Installing the Lamp Unit

Warning!

- Do not remove the lamp unit from the projector right after use. The lamp and parts around the lamp will be very hot and may cause burns or injury.

Info

- Make sure that you remove the lamp unit by the handle. Do not touch the glass surface of the lamp unit or the inside of the projector.
- To avoid injury to yourself and damage to the lamp, make sure you carefully follow the steps below.
- Do not loosen other screws except for the lamp unit cover and lamp unit.

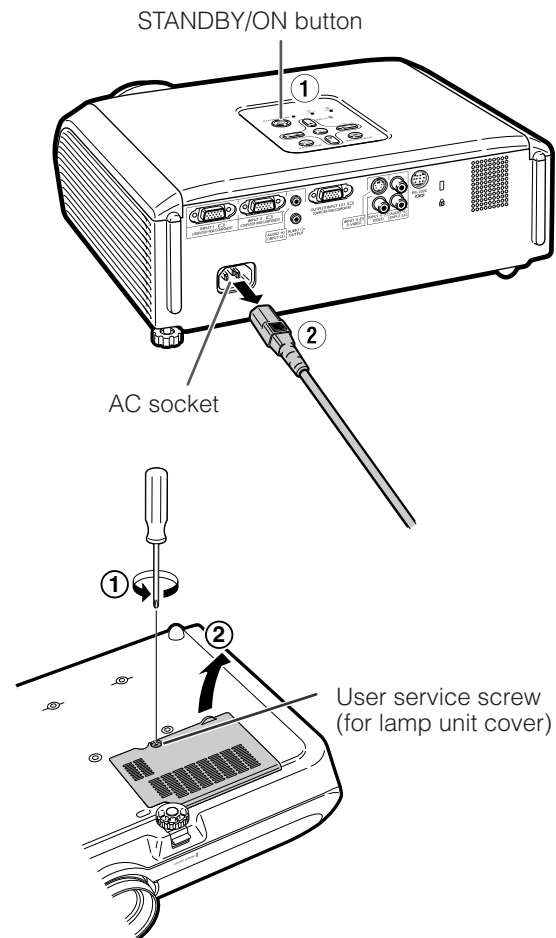
- 1 Press STANDBY/ON on the projector or STANDBY on the remote control to put the projector into standby mode.**
 - Wait until the cooling fan stops.

- 2 Disconnect the power cord.**

- Unplug the power cord from the AC socket.
- Leave the lamp until it has fully cooled down (about 1 hour).

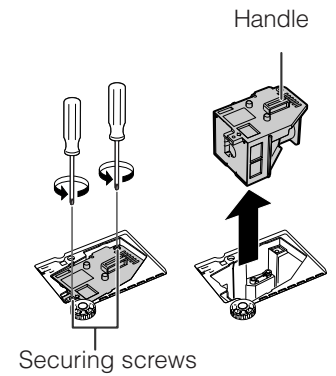
- 3 Remove the lamp unit cover.**

- Turn the projector over. Loosen the user service screw (1) that secures the lamp unit cover. Remove the lamp unit cover (2).



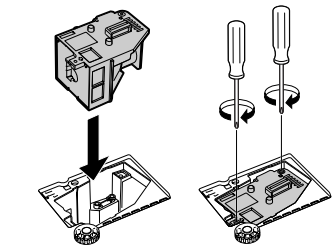
- 4 Remove the lamp unit.**

- Loosen the securing screws from the lamp unit. Hold the lamp unit by the handle and pull it in the direction of the arrow. At this time, keep the lamp unit horizontal and do not tilt it.



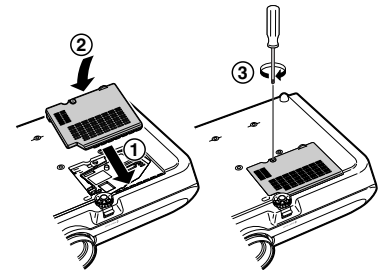
- 5 Insert the new lamp unit.**

- Press the lamp unit firmly into the lamp unit compartment. Fasten the securing screws.



- 6 Replace the lamp unit cover.**

- Align the tab on the lamp unit cover (1) and place it while pressing the tab (2) to close it. Then tighten the user service screw (3) to secure the lamp unit cover.



Info

- If the lamp unit and lamp unit cover are not correctly installed, the power will not turn on, even if the power cord is connected to the projector.

Resetting the Lamp Timer

Reset the lamp timer after replacing the lamp.

Info

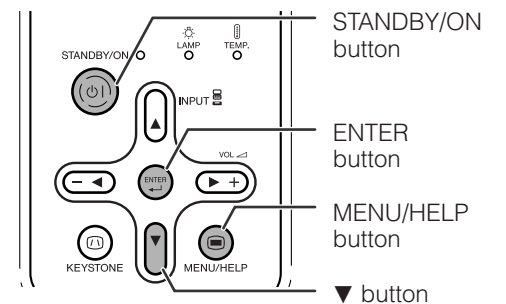
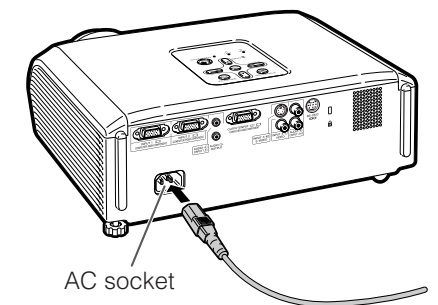
- Make sure to reset the lamp timer only when replacing the lamp. If you reset the lamp timer and continue to use the same lamp, this may cause the lamp to become damaged or explode.

- 1 Connect the power cord.**

- Plug the power cord into the AC socket of the projector.

- 2 Reset the lamp timer.**

- While simultaneously holding down MENU/HELP, ENTER and on the projector, press STANDBY/ON on the projector.
- "LAMP 0000H" is displayed, indicating that the lamp timer is reset.



DEUTSCH

Richten Sie sich bitte nach der beim Projektor mitgelieferten Bedienungsanleitung.
Sie können die Bedienungsanleitung auch von der Website (<http://sharp-world.com/products/index.html>) herunterladen.

FRANÇAIS

Reportez-vous au mode d'emploi fourni avec le projecteur.
Vous pouvez également télécharger le mode d'emploi sur le site Internet (<http://sharp-world.com/products/index.html>).

ESPAÑOL

Consulte el manual de manejo que se suministra con el proyector.
También puede descargar el manual de manejo del sitio Web (<http://sharp-world.com/products/index.html>).

ITALIANO

Fare riferimento al manuale d'uso fornito con il proiettore.
È inoltre possibile scaricare lo stesso manuale d'uso dal sito web (<http://sharp-world.com/products/index.html>).

NEDERLANDS

Verwijs naar de gebruiksaanwijzing die bij de projector wordt geleverd.
U kunt de gebruiksaanwijzing ook vanaf internet downloaden (<http://sharp-world.com/products/index.html>).

SVENSKA

Anlita bruksanvisningen som medföljer projektorn.
Bruksanvisningen kan också nerladdas från vår webbsajt (<http://sharp-world.com/products/index.html>).

PORTUGUÊS

Consulte o manual de operação fornecido com o projetor.
Pode-se também baixar o manual de operação pela internet (<http://sharp-world.com/products/index.html>).

中文

請參閱投影機隨機附帶的用戶說明書。
您也可通過因特網下載使用說明書
(<http://sharp-world.com/products/index.html>)。

한국어

프로젝터와 함께 제공되는 사용 설명서를 참조하십시오.
또한 (<http://sharp-world.com/products/index.html>)에서
사용 설명서를 다운 받으실 수 있습니다.