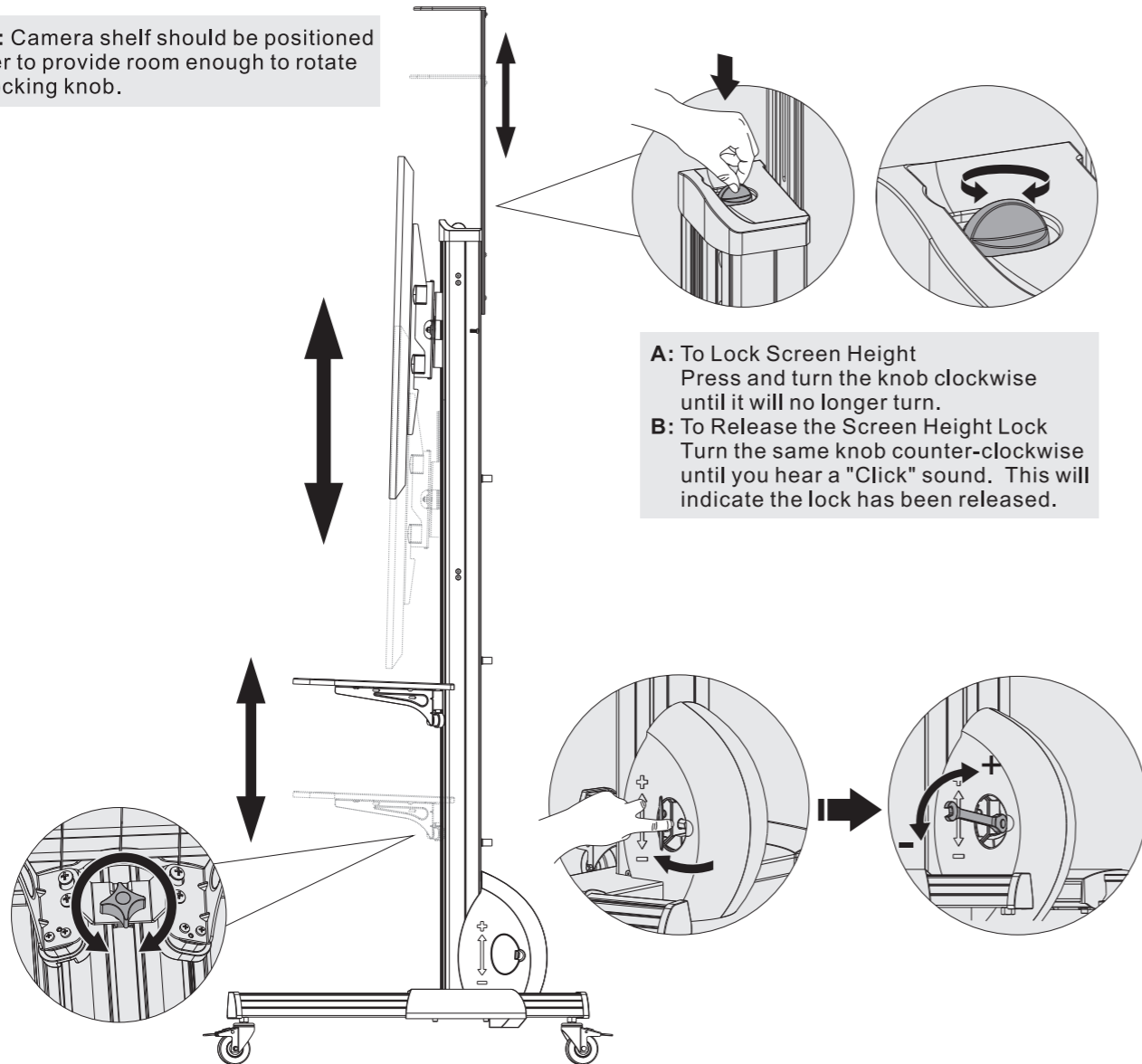


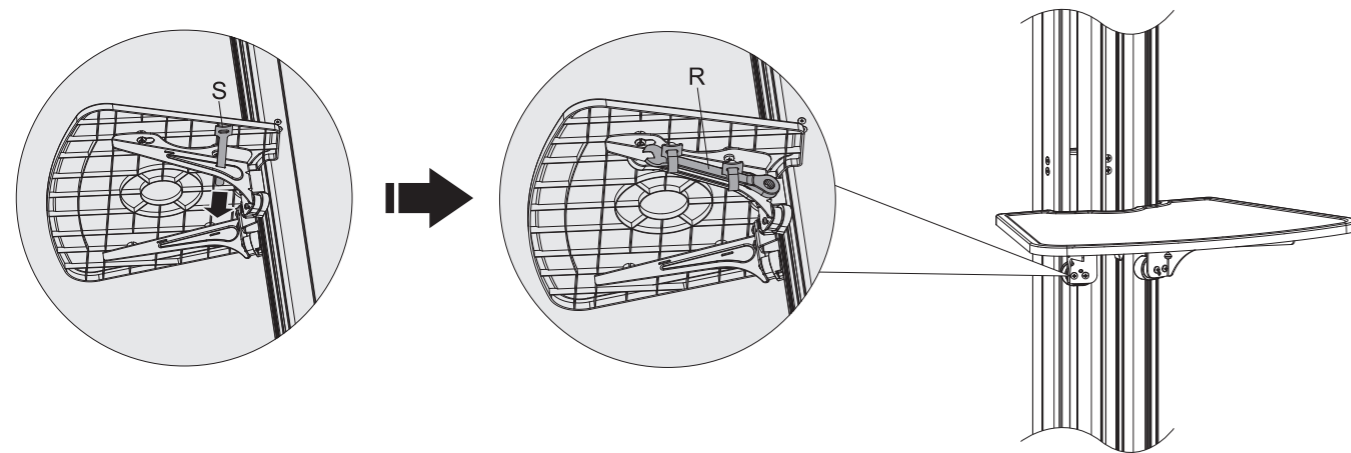
12. Adjustment

Note: Camera shelf should be positioned higher to provide room enough to rotate the locking knob.



- A: To Lock Screen Height**
Press and turn the knob clockwise until it will no longer turn.
- B: To Release the Screen Height Lock**
Turn the same knob counter-clockwise until you hear a "Click" sound. This will indicate the lock has been released.

13. Place the Wrench



Put the hook&loop through the holes to fix the wrench.

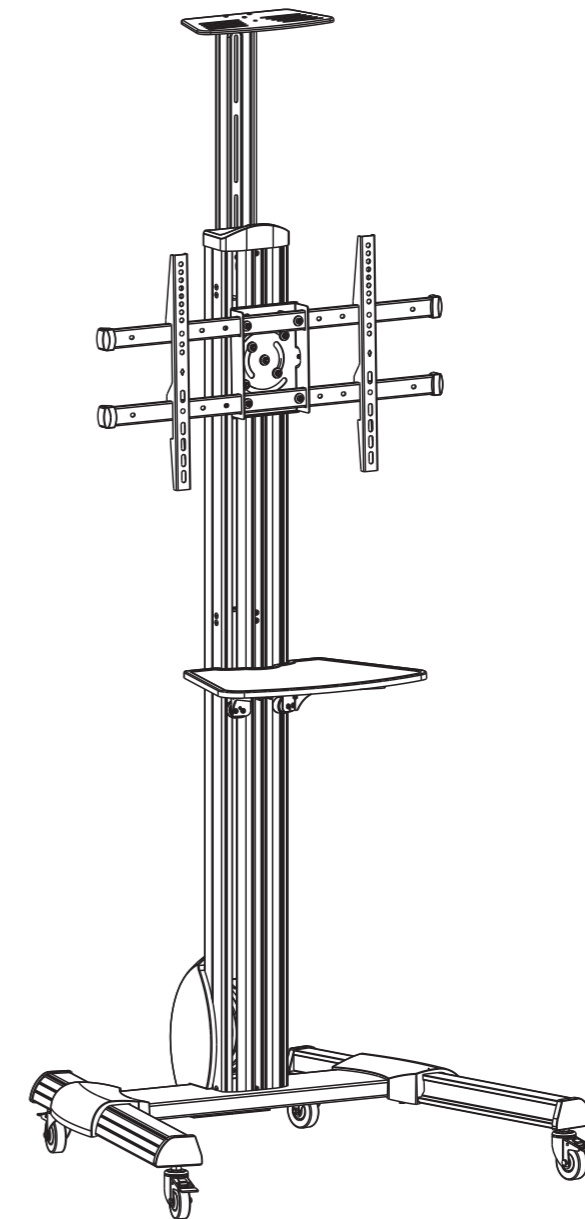
Maintenance

- Check that the bracket is secure and safe to use at regular intervals(at least every three months).
- Please contact your distributor if you have any questions.

PROKORD

MOUNT WHITEBOARD CART

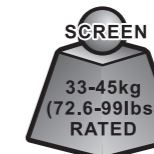
DUS05L-46TW



200x200/300x200
300x300/400x200
400x300/400x400
600x400



70"
MAX




SCREEN
33-45kg
(72.6-99lbs)
RATED



EQUIPMENT
5kg
(11lbs)
RATED



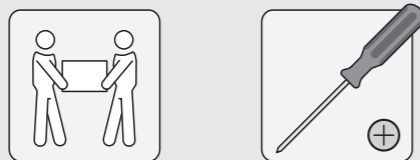
CAMERA
5kg
(11lbs)
RATED

 **Read the entire instruction manual before you start installation and assembly. If you have any questions regarding any of the instructions or warnings, please contact your local distributor for assistance.**

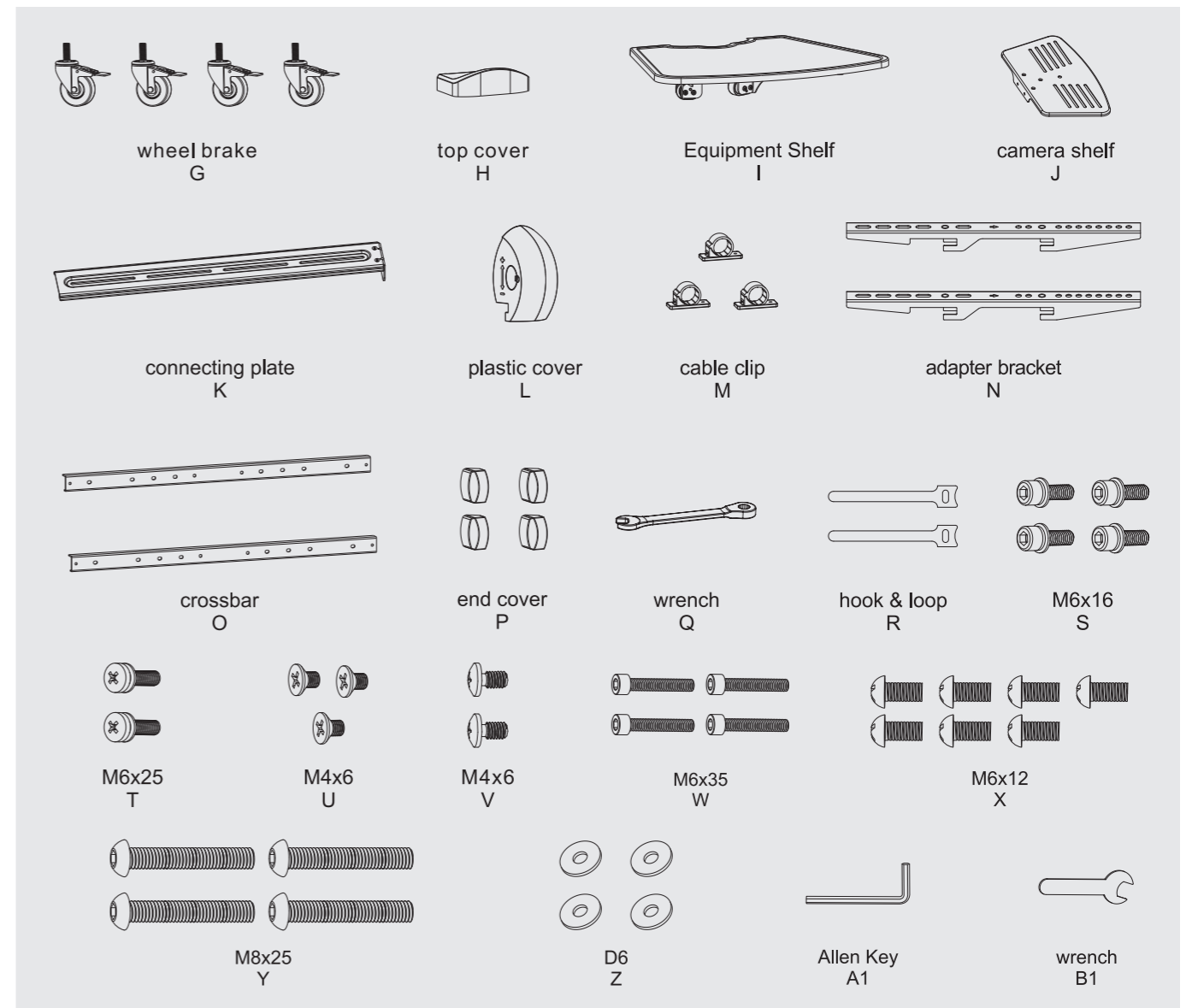
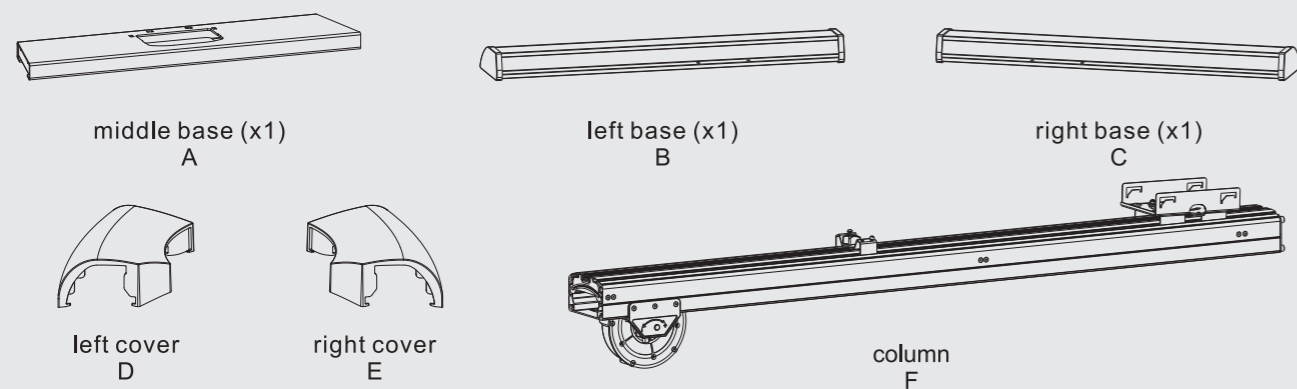
CAUTION

- Use with products heavier than the rated weights indicated may result in instability causing possible injury.
- Please closely follow the assembly instructions. Improper installation may result in damage or serious personal injury.
- Safety gear and proper tools must be used. This product should only be installed by professionals.
- Make sure that the supporting surface will safely support the combined weight of the equipment and all attached hardware and components.
- Use the mounting screws provided and **DO NOT OVER TIGHTEN** mounting screws.
- This product contains small items that could be a choking hazard if swallowed. Keep these items away from children.
- This product is intended for indoor use only. Using this product outdoors could lead to product failure and personal injury.

Required for Installation

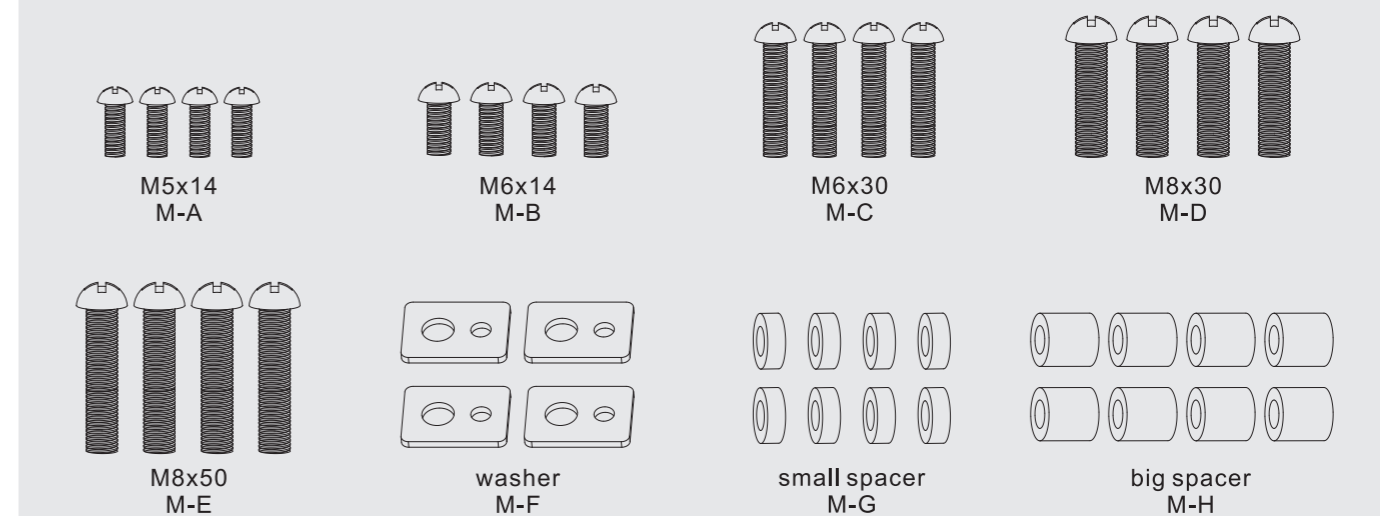


Component Checklist

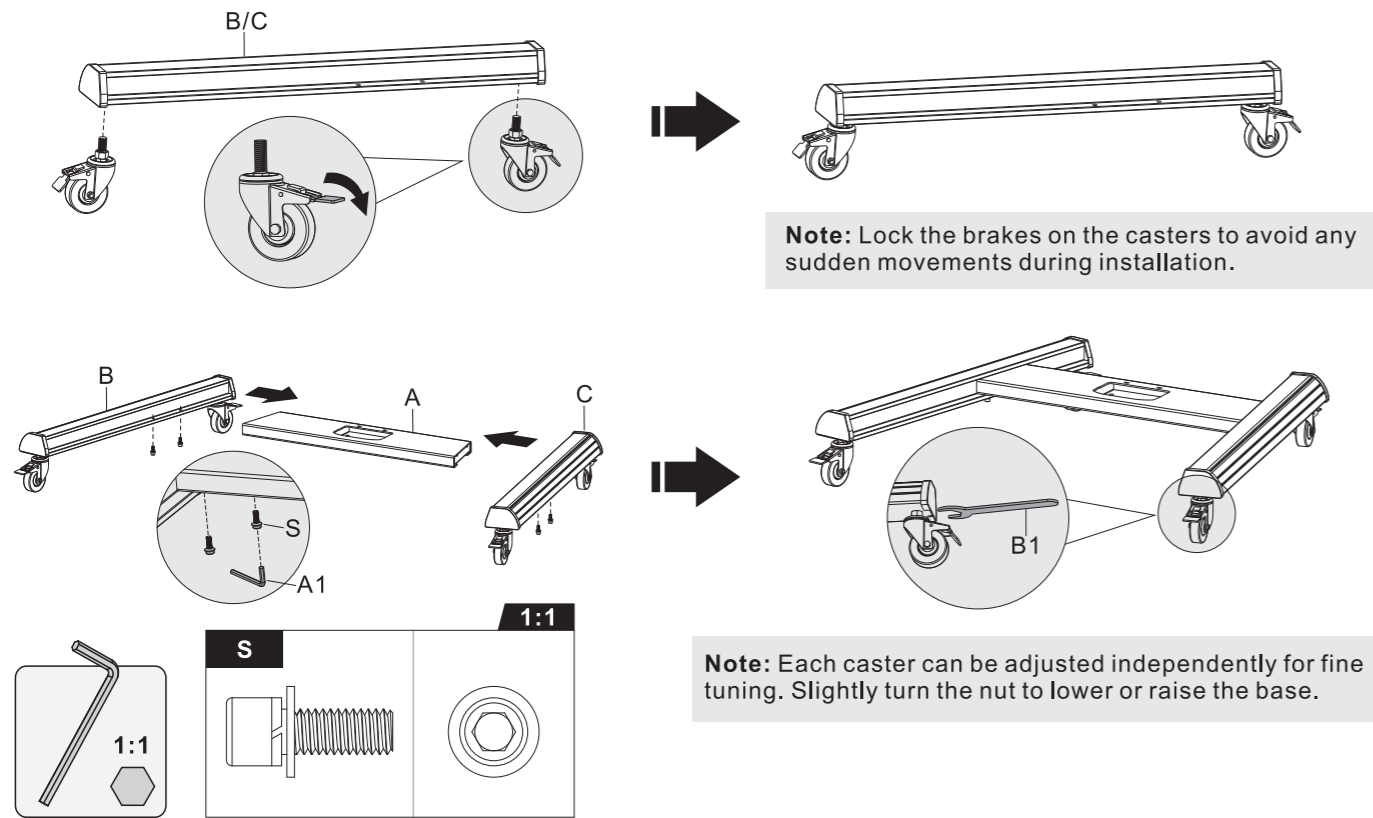


IMPORTANT: Ensure that you have received all parts according to the component checklist prior to installation. If any parts are missing or faulty, contact your place of purchase for a replacement.

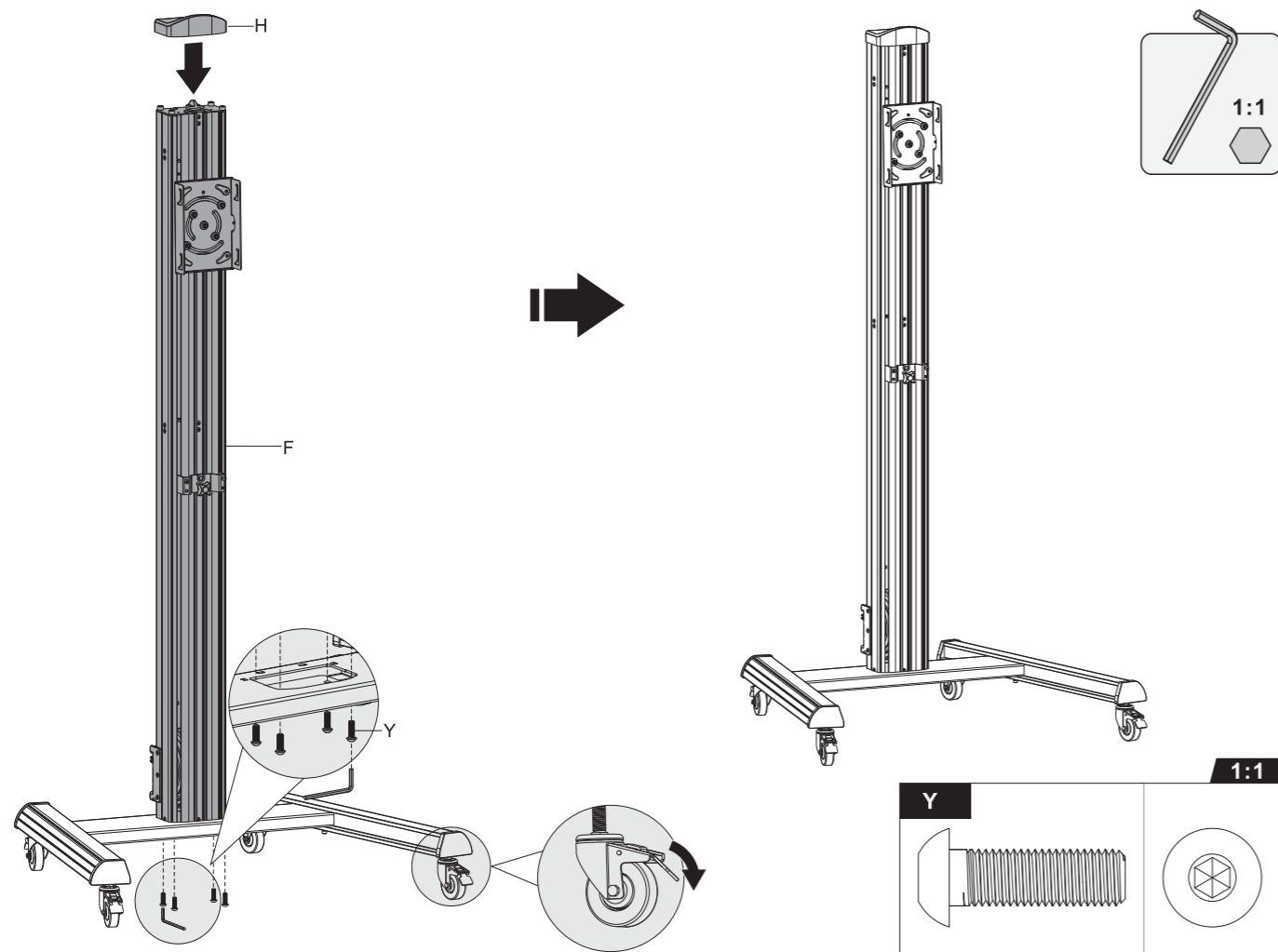
Package M



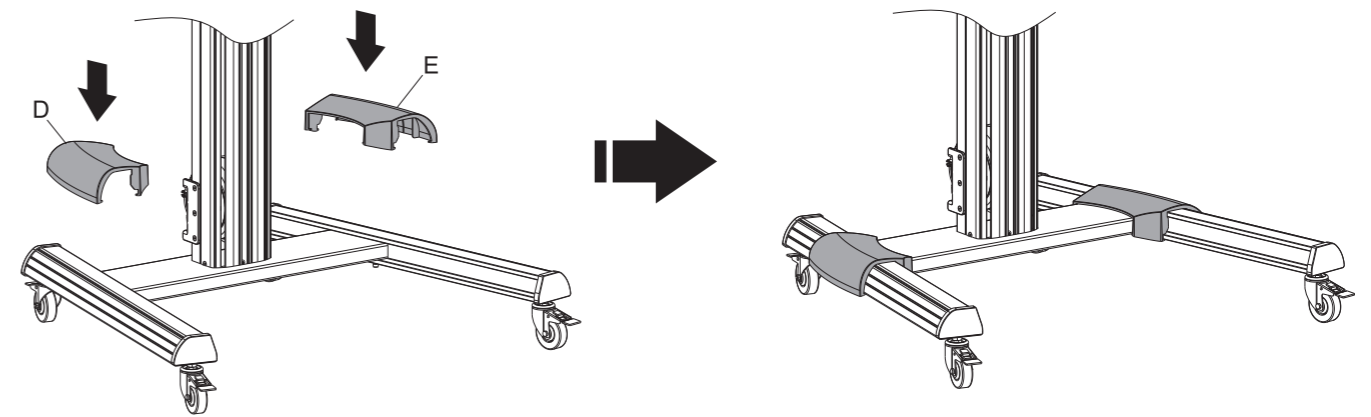
1. Assemble the Base



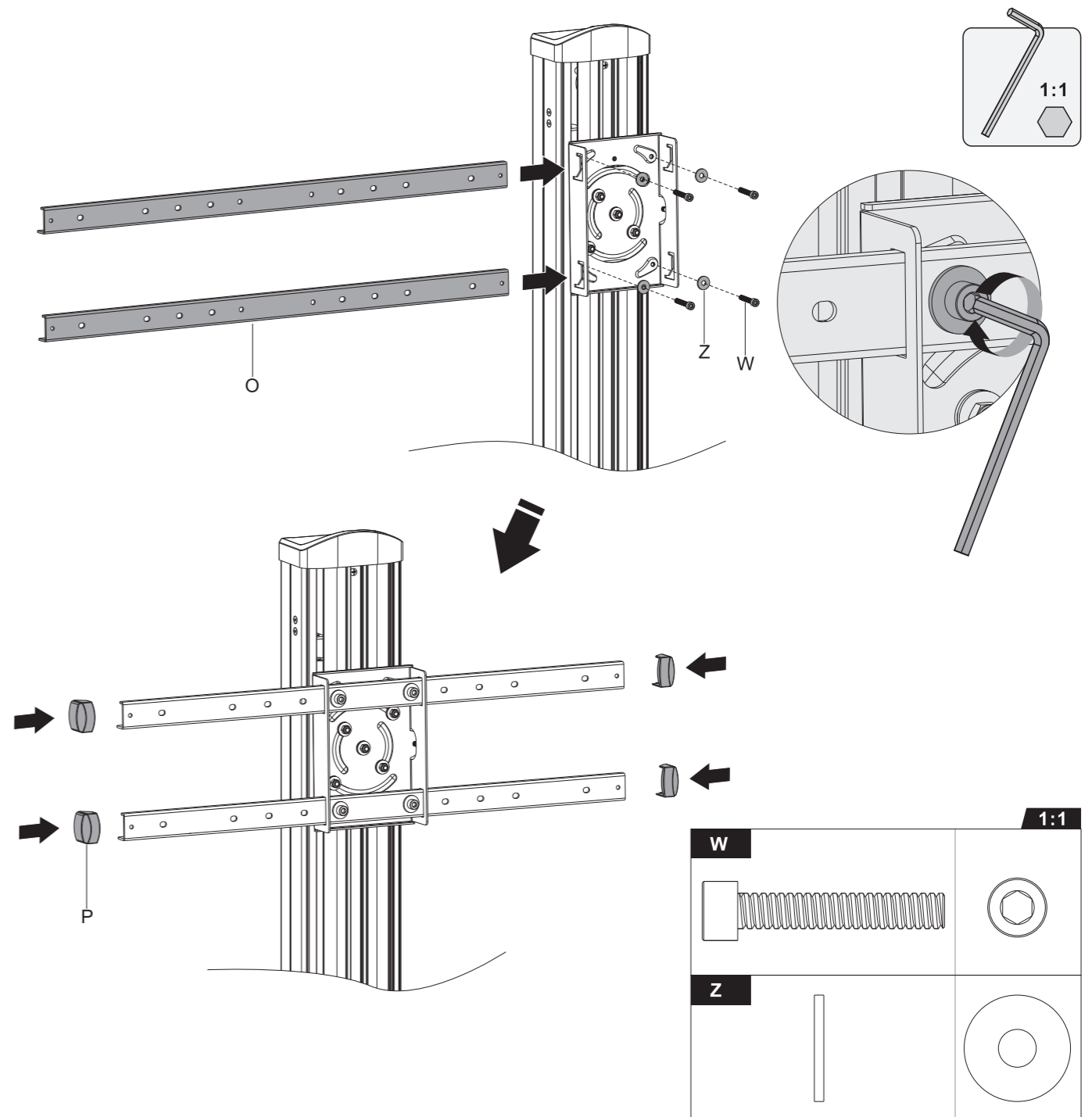
2. Attach the Column to the Base



3. Install the Covers

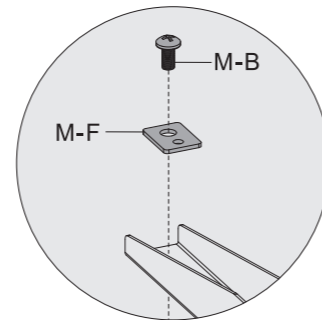
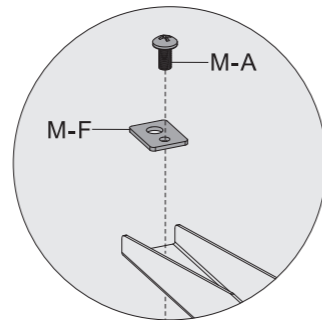
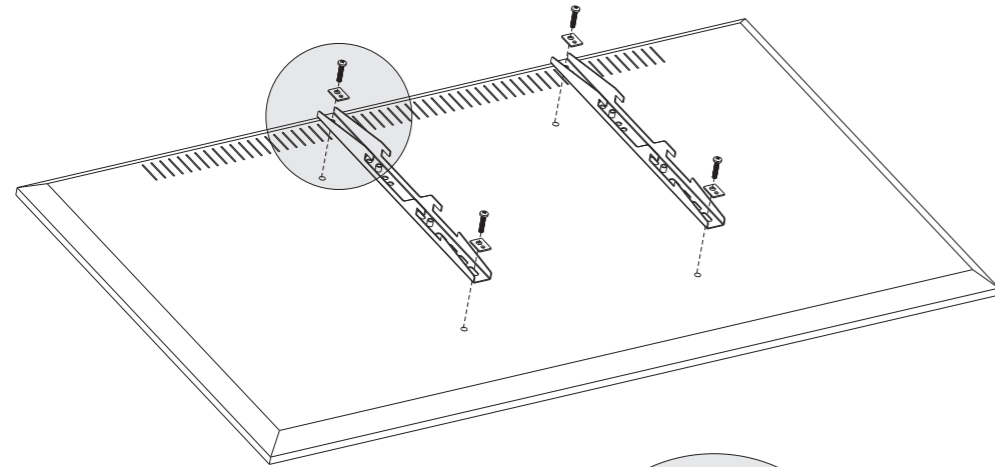
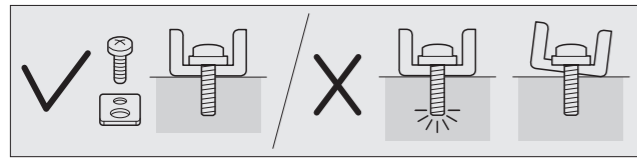


4. Install the TV Plate



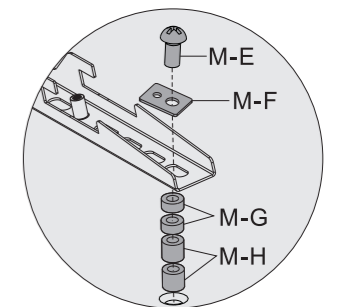
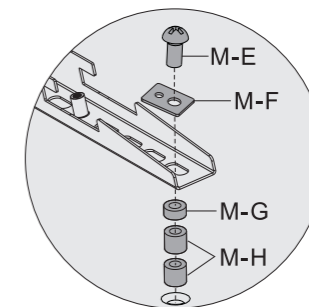
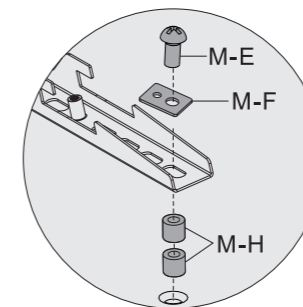
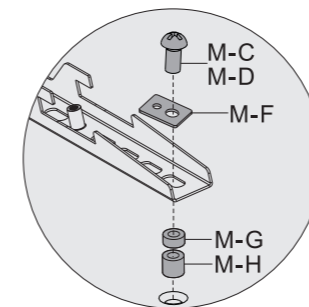
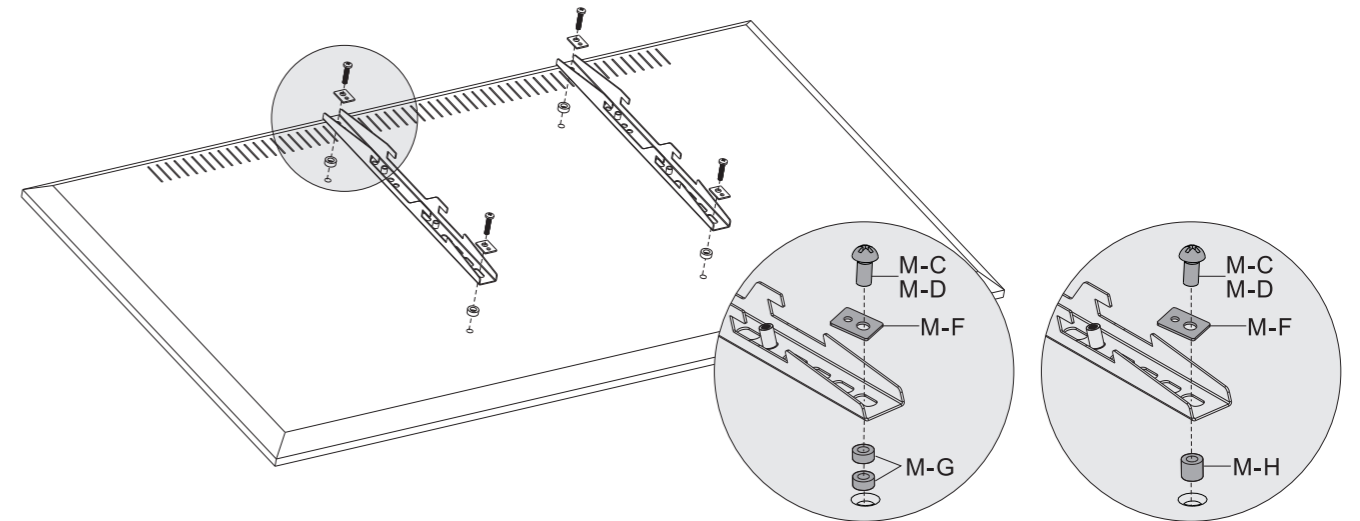
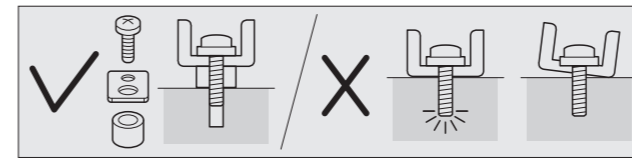
5. Attach the Adapter Brackets

5a. For Flat Back Screens



M-A			M-B		
M-F					

5b. For Irregular Back Screens

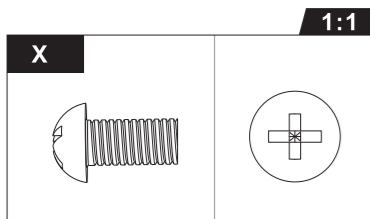
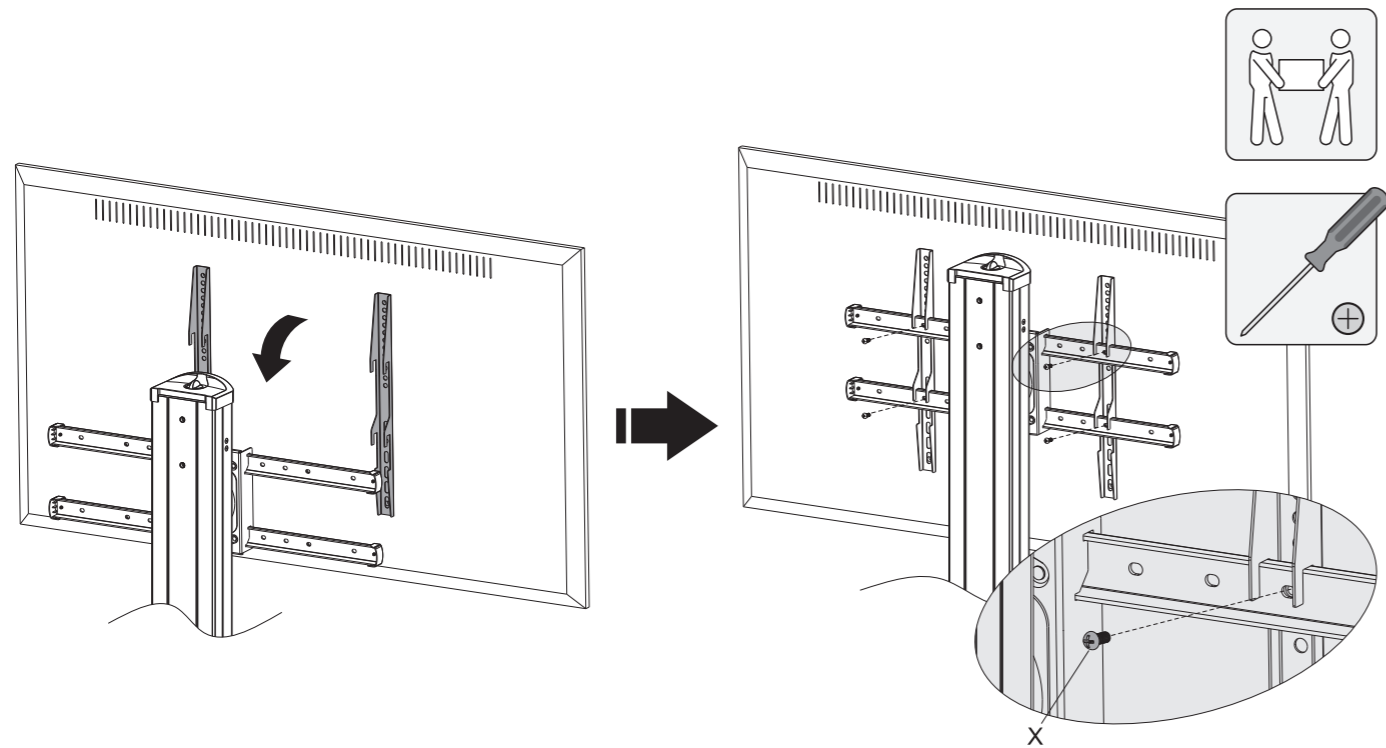


M-C			M-D		
M-E			M-F		
M-G			M-H		

- Note:** Choose the appropriate screws, washers and spacers (if necessary) according to the type of screen.
- Position the adapter brackets as close as possible to the center of the display.
 - Screw the adapter brackets onto the display.

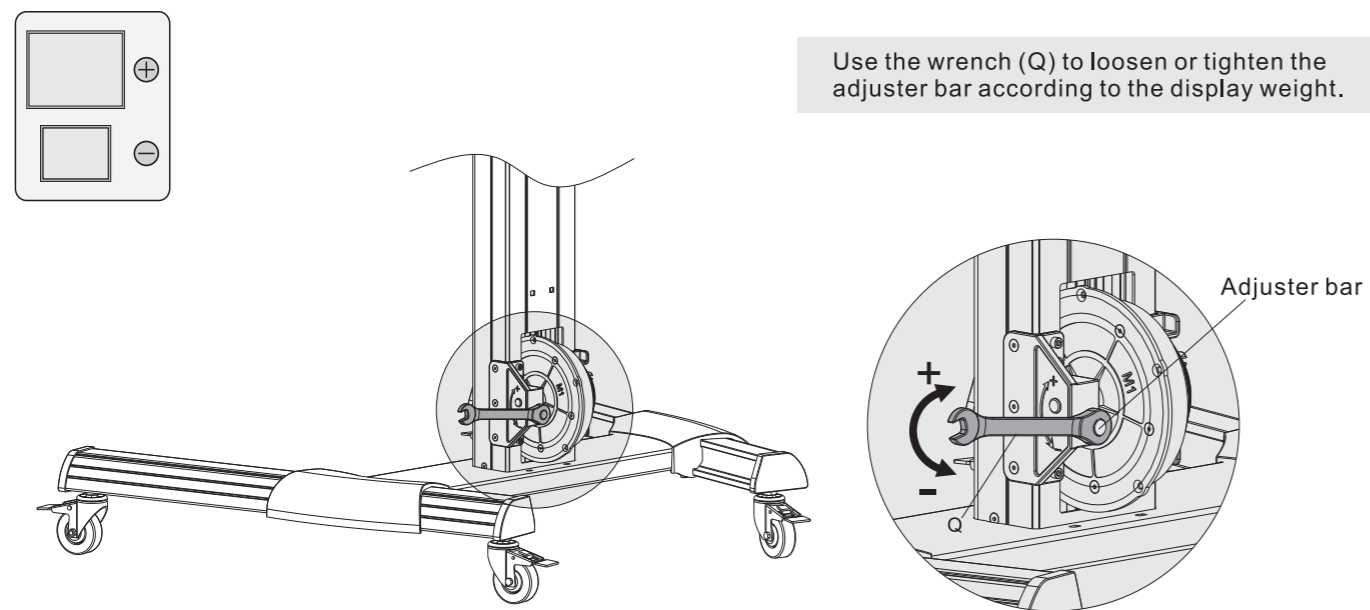
Tighten all screws but do not over tighten.

6. Hang Screen onto the TV Plate



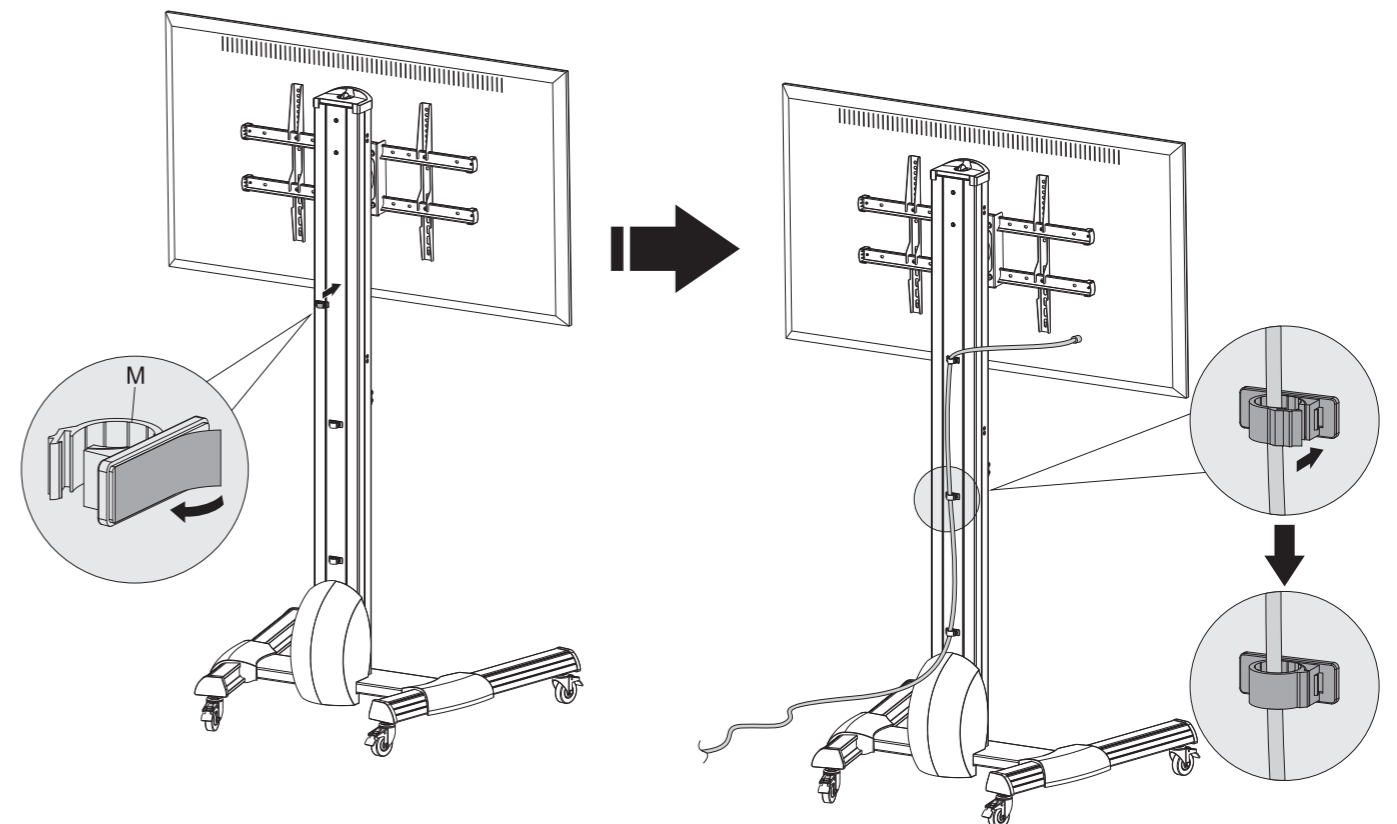
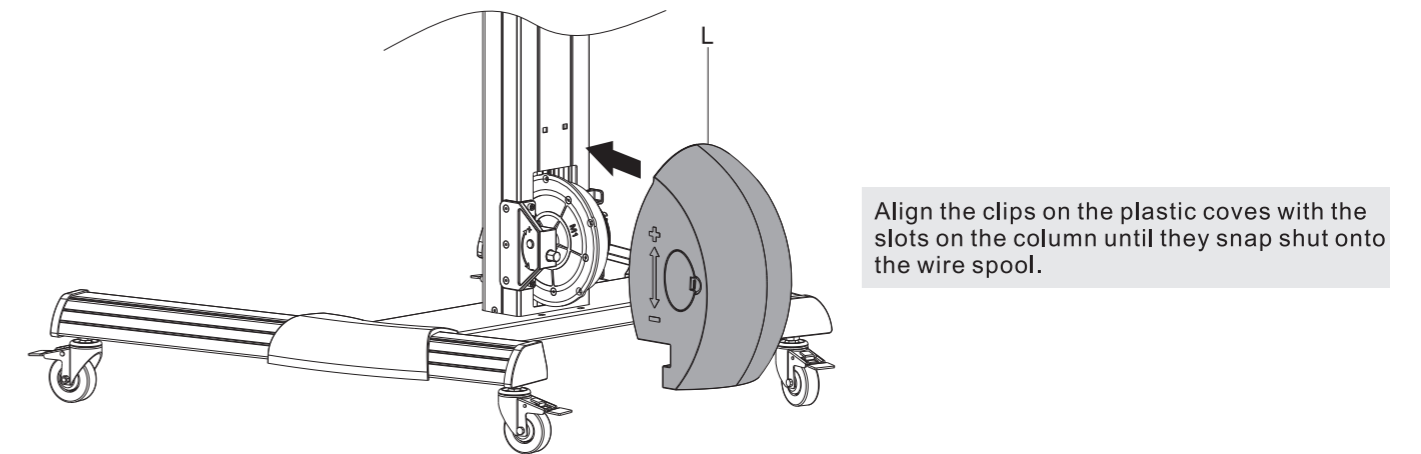
Important: Make sure the display is mounted correctly and the screws are tightened safely before releasing the display.

7. Tension Adjustment

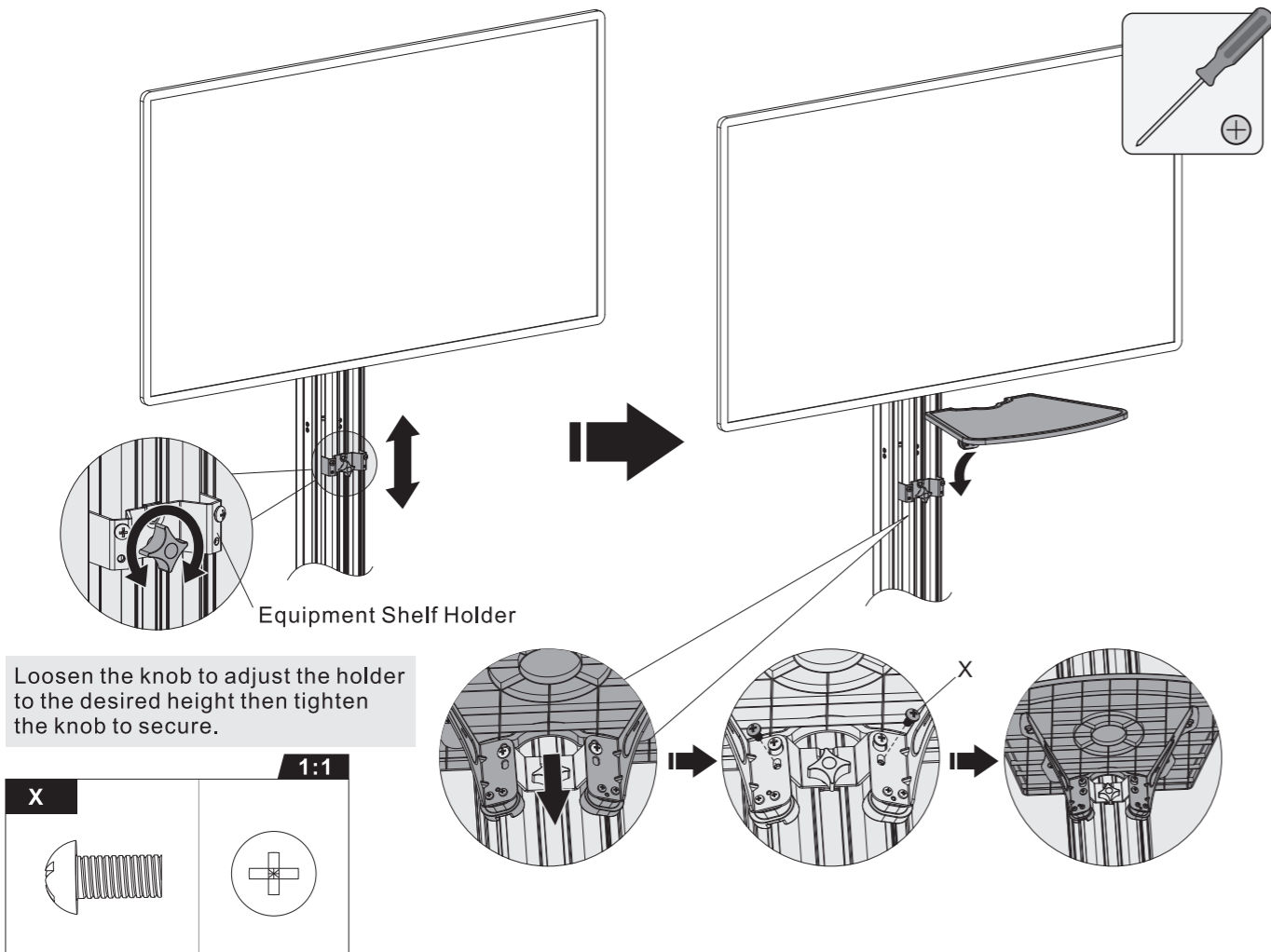


- If the display settles on its own, rotate the adjuster bar towards the "+" symbol;
- If the display rises on its own, rotate the adjuster bar towards the "-" symbol.

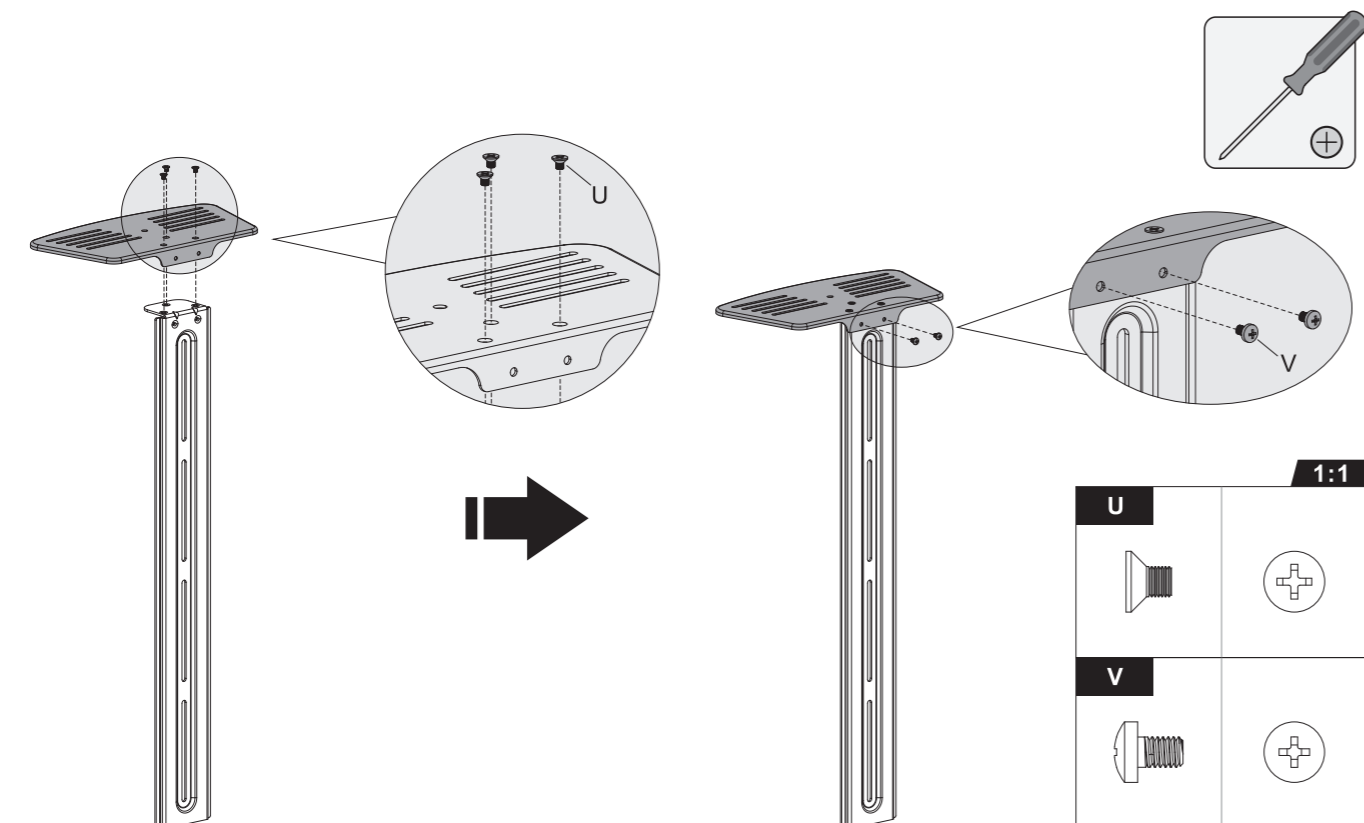
8. Cable Management



9. Assemble the Equipment Shelf



10. Install the Camera Shelf



11. Screen Orientation

