



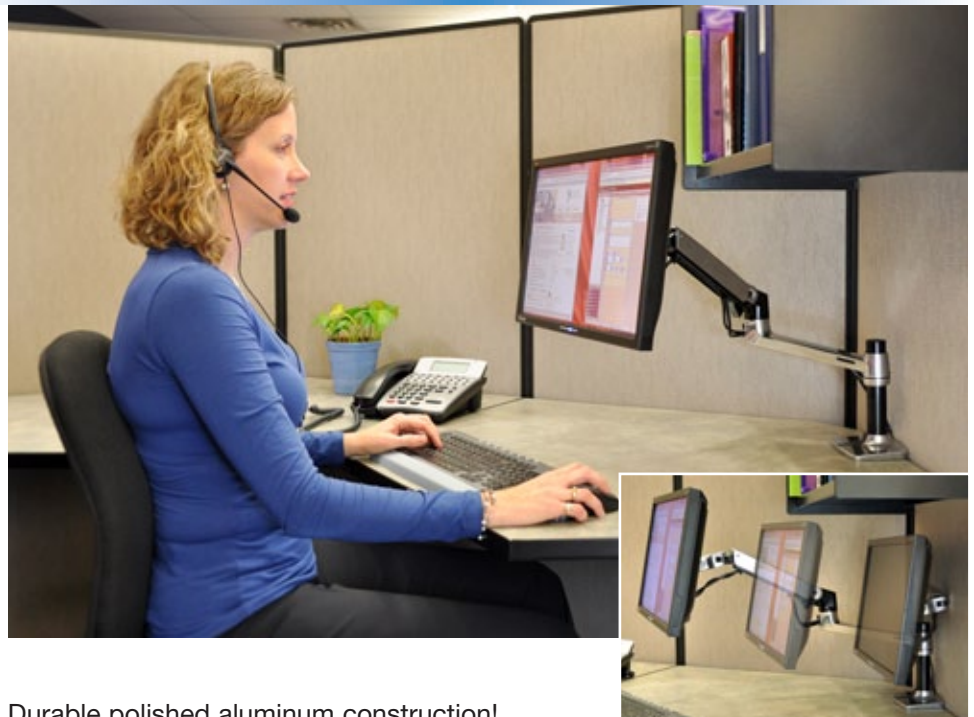
## Highlights



- Increase viewing comfort—help reduce eye, back and neck strain
- Upgrade LCD monitors and TVs with improved ergonomic adjustment
- Patented CF motion technology provides premium ease-of-use display adjustment
- Cable management feature routes cables under the arm, out of the way
- 13" (33 cm) height range meets the ergonomic needs of more than nine out of ten adults
- Compact design frees up space. Arm folds back over the base into a compact retracted position; perfect for tucking under systems furniture storage shelves or cabinets in space constrained areas

# Ergotron® LX

## Desk and Wall Mount LCD Arms



Durable polished aluminum construction!

Ergotron's LX LCD Arms include Constant Force (CF) patented lift-and-pivot motion technology. With a light touch of your hand you can easily lift, swing, tilt or turn your display.

- Increase viewing comfort—help reduce eye, back and neck strain
- Reposition your display with just a touch
- Excellent price performance
- Arm extends LCD up to 25" (64 cm) and 34" (86 cm) when a second extension is used—push it back out of the way
- Wall Mount or Desk Mount installation

The LX LCD Arm is the perfect desk or wall mount accessory to add flexibility and superior ergonomics to your LCD monitor or TV. Sleek and streamlined, it frees up space and allows you to easily position your display for greater productivity. It's ideal for home and office use, especially in situations where several people use the same display.



Position your display for maximum ergonomic comfort to relieve eye, neck and back strain

Free up your table or desktop to increase your workspace

Rotate screen for portrait viewing of photos and pages—eliminate scrolling

Easy-to-use, simple installation and effortless operation

The sleek and elegant design of the LX arm embellishes your desk and makes your office into a more enjoyable working environment

Save costs by improving the health of the workforce due to reduced neck and back strain

Adjustment range of the LX Arm allows LCD to be lowered into a position that is comfortable for people wearing bifocals or using a tablet PC

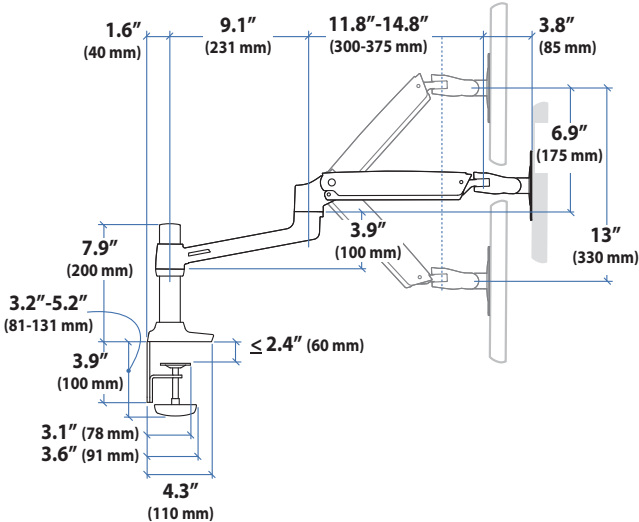
LX LCD Arm can be used without its extension or with a second 9" extension



Typical LCD Size	LCD Weight*	Lift	Tilt	Pan	Rotation	VESA
≤ 24"	7–20 lbs 3,1–9,1 kg	13" 33 cm	80°	360°	360° P/L	MIS-D

\* Monitor depth greater than 2" (5 cm) may diminish weight capacity

Product Name	LX Desk Mount LCD Arm	LX Wall Mount LCD Arm
Part Number	45-241-026 (polished aluminum)	45-243-026 (polished aluminum)
Product Includes	LX arm, extension, desk clamp and grommet mount bases	LX arm, extension, wall mount
	Add Notebook Tray (ordered separately, 50-193-200) to hold laptops and convertible notebooks	
Attachment Options	Desk clamp attaches to surface edge .4–2.4" (10–60 mm) thick; grommet mount attaches through surface hole .31–2" (8–50 mm) wide and up to 3" (76 mm) thick	Attach directly to sturdy vertical surface Wall track recommended (order separately)
Shipping Dimensions	25.5"H x 11.25"W x 7.25"D (65 x 29 x 18 cm)	20.75"H x 11.25"W x 7.5"D (53 x 29 x 19 cm)
Shipping Weight	9.75 lbs (4,4 kg)	7.0 lbs (3,2 kg)
Warranty	5 years	
Weight Capacity	7–20 lbs (3,1–9,1 kg) Monitor depth greater than 2" (5 cm) may diminish capacity System weight capacity is reduced by using two extensions, see installation manual or website for details LX Extension 45-244-026 (polished aluminum) Not compatible with LX Dual Desk Mount Arms (45-245-026, 45-248-026)	
Compatible Display(s)	VESA MIS-D compatible displays up to 20 lbs (9,1 kg)	



© 2010 Ergotron, Inc. rev. 01/19/2010 870-05-056 Content is subject to change without notification.



**Americas Sales and Corporate Headquarters**

St. Paul, MN USA  
(800) 888-8458  
+1-651-681-7600  
www.ergotron.com  
sales@ergotron.com

**EMEA Sales**

Amersfoort, The Netherlands  
+31 33 45 45 600  
www.ergotron.com  
info.eu@ergotron.com

**APAC Sales**

Tokyo, Japan  
www.ergotron.com  
apaccustomerservice@ergotron.com

**Worldwide OEM Sales**

www.ergotron.com  
info.oem@ergotron.com