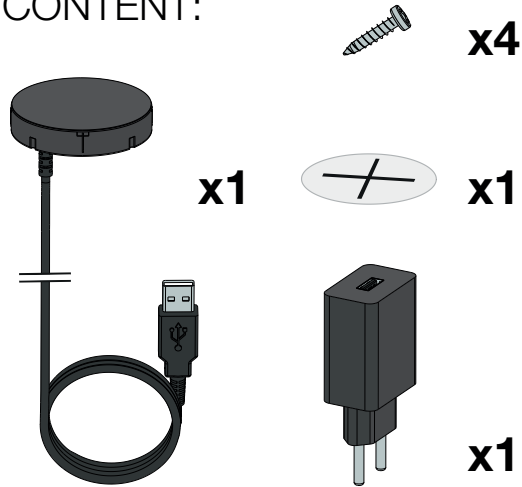


Integrated Qi Wireless Charger

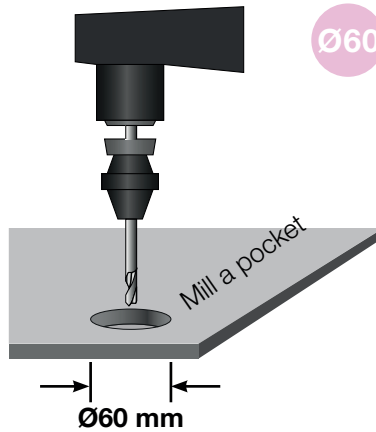
■ 935-QI61



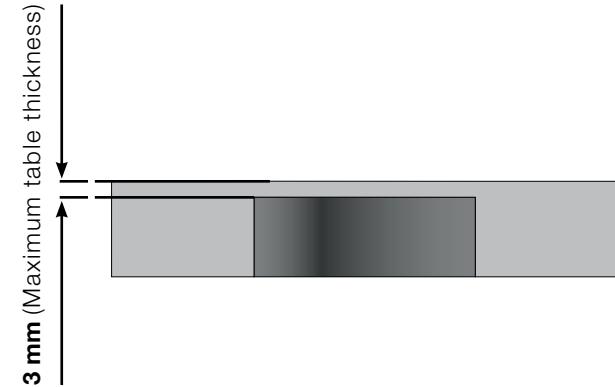
CONTENT:



- 1** MILL
Make a cavity in the underside of the table by milling.



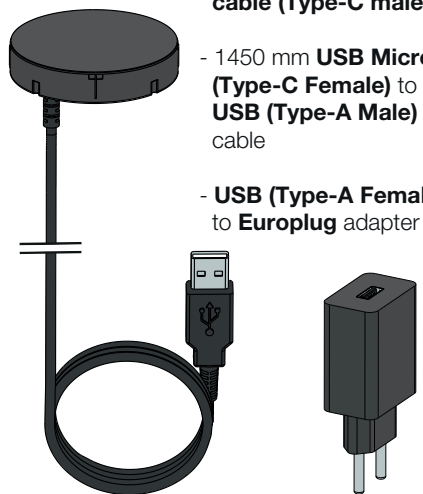
- !** MILLING NOTE
Make sure to leave 3 mm of the table. The shorter the distance to the table surface, the better the efficiency of the Qi Charger.



- 300 mm **USB Micro cable (Type-C male)**

- 1450 mm **USB Micro (Type-C Female) to USB (Type-A Male) cable**

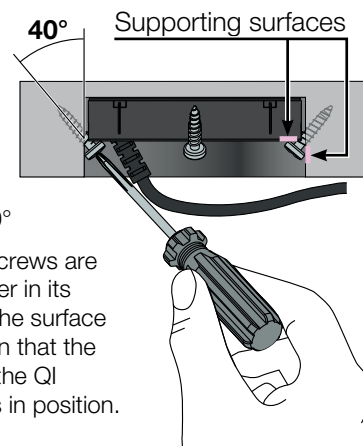
- **USB (Type-A Female) to Europlug adapter**



- 2** SECURE POSITION
Use the four screws to secure the Qi charger to its intended position.

Use the four small tracks from the Qi Charger and lean the screws with an angle of about 40-70°

The function of the screws are to keep the Qi charger in its position as close to the surface as possible. Ascertain that the screws' heads bear the Qi Charger and remains in position.



- 3** ATTACH STICKER & PLUG IT IN
Measure the distance to the edges and attach sticker as close to the measured center as possible. Lastly, provide the Qi charger with power by plugging it into an electrical socket.

