

K67823: K67770 Sold separately
 K67823: K67770 Vendus séparément
 K67823: K67770 Separat erhältlich
 K67823: K67770 Los verkrijgbaar
 K67823: K67770 Venduti separatamente
 K67823: K67770 Venden por separado

K67823: K67770 Külön kell megvásárolni
 K67823: K67770 Prodávány samostatně
 K67823: K67770 Sprzedawane oddzielnie
 K67823: K67770 продаются отдельно
 K67823: K67770 Vendidos em separado

Technical Support / Assistance technique / Technischer Support /
 Technische ondersteuning / Supporto tecnico / Asistencia técnica /
 Műszaki támogatás / Technická podpora / Pomoc techniczna /
 Техническая поддержка / Assistència tècnica

Australia	1300 881 931	Nederland	010 713 1882
België / Belgique	02 401 2395	New Zealand	0800 539 26273
Brasil	14 3235-4003	Norway	80017520
Canada	1 800 268 3447	Österreich	0800 677 873
Denmark	80 250966	Polska	22 570 18 00
Deutschland	0692 222 3654	Portugal	800855802
España	911 146 735	Russia	007 495 933 5163
Finland	0800 9 15697	Schweiz / Suisse	044 580 6667
France	01 7671 0404	Sweden	08 5033 6577
Hungary	06 20 9430 612	United Kingdom	0203 364 5390
Ireland	01 431 1395	United States	1 800 535 4242
Italia	02 3604 7030	International Toll	+31 53 484 9135
México	55 15 00 57 00		

Kensington and the ACCO name and design are registered trademarks of ACCO Brands. The Kensington Promise is a service mark of ACCO Brands. SafeDome is a trademark of ACCO Brands. ClickSafe is a registered trademark of ACCO Brands. iMac is a trademark of Apple Inc., registered in the U.S. and other countries. All other registered and unregistered trademarks are the property of their respective owners patents pending.

©2013 Kensington Computer Products Group, a division of ACCO Brands. Any unauthorized copying, duplicating, or other reproduction of the contents hereof is prohibited without written consent from Kensington Computer Products Group. All rights reserved. 05/13

ACCO BRANDS

Kensington Computer Products Group
 A Division of ACCO Brands
 333 Twin Dolphin Drive,
 6th Floor
 Redwood Shores, CA 94065

ACCO Brands Europe
 Oxford House
 Oxford Road
 Aylesbury
 Bucks, HP21 8SZ
 United Kingdom

ACCO Brands Canada
 5 Precidio Court
 Brampton
 Ontario, L6S 6B7
 Canada

ACCO Australia
 Level 2, 8 Lord St
 Botany NSW 2019
 Australia

ACCO MEXICANA, S.A. DE C.V.
 Avenida Circuito de la Industria
 Norte # 6
 Parque Industrial Lerma,
 Lerma, 52000 Estado de Mexico
 MEXICO

ACCO Brands Chile S.A.
 Avda. San Josemaria
 Escribá de Balaguer N°5773
 Vitacura, C.P. 7640870
 Santiago, Chile

Tilbra Produtos de Papelaria Ltda.
 Rua Aimores, 6-9
 Bauru, CEP 17013-900
 São Paulo, Brasil

Designed in California, U.S.A.
 by Kensington

Made in China

www.kensington.com

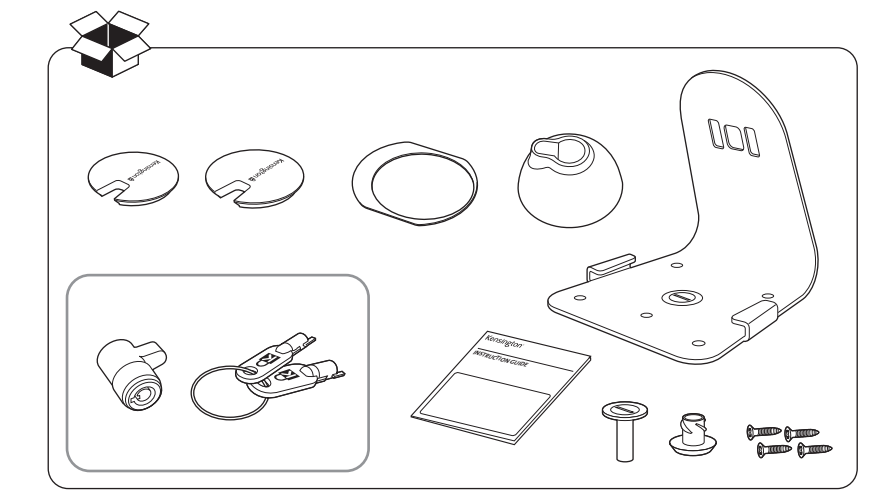
K67822/K67823
 901-2982-00
 KL

Kensington®

SafeStand™ iMac®
 Keyed Locking Station

INSTRUCTION GUIDE
 GUIDE D'INSTRUCTIONS
 BEDIENUNGSANLEITUNG
 HANDLEIDING
 MANUALE DI ISTRUZIONI
 MANUAL DE INSTRUCCIONES

HASZNÁLATI ÚTMUTATÓ
 PRÍRUČKA S POKYNY
 INSTRUKCJA OBSŁUGI
 РУКОВОДСТВО ПОЛЬЗОВАТЕЛЯ
 MANUAL DE INSTRUÇÕES



Register Now!
 Enregister maintenant!
 Jetzt registrieren!
 Nu registreren

Registrar ahora
 Registra adesso
 Regisztráljon most!
 Zaregistrujte se nyní!

Zarejestruj się!
 Зарегіструйтесь!
 Registe-se agora!

register.kensington.com