

# NETGEAR

Installation Guide

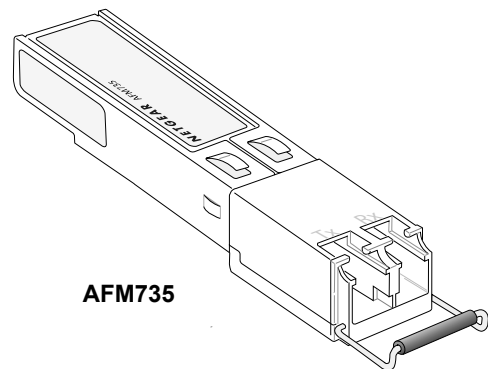
## ProSafe 100MBaseFX SFP Module AFM735

### Install Your Optical Module

The 100MBaseFX SFP Module provides a full-duplex 100M bps each direction for Ethernet operation on NETGEAR managed switches.

The switch will automatically detect the AFM735, so you can simply plug it into an available module slot.

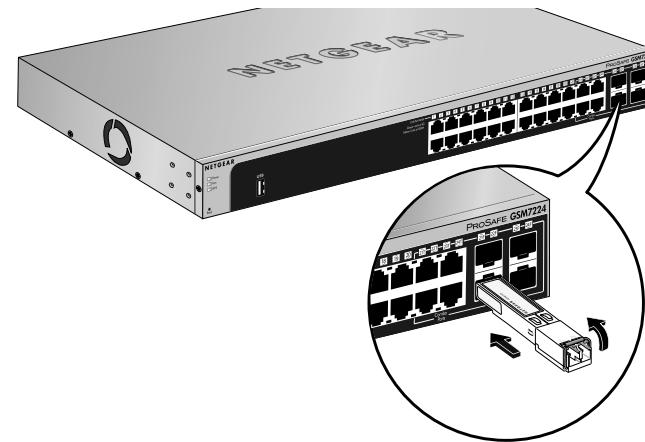
The module can be inserted or removed while the switch is operational.



AFM735

### Installing a AFM735 Module

Insert the module firmly into the slot that supports the SFP interface. The AFM735 supports legacy 62.5/125µm OM1 multimode fiber cables up to 2km.



### Removing a AFM735 Module

Release the module latch by pulling down the handle bar across the module, and pull the module out of the module slot.

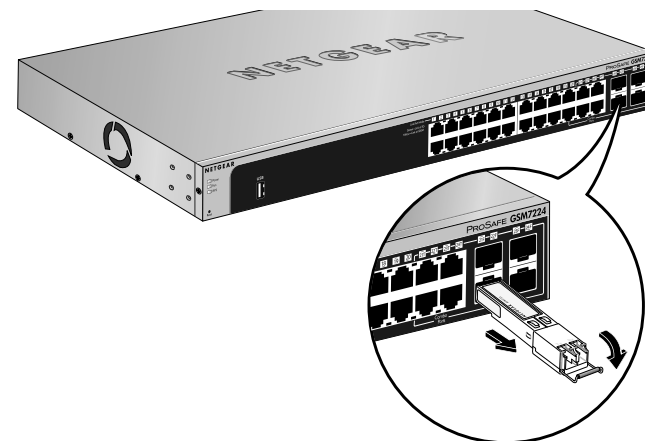


Table 1:

| Technical Specifications    |   |
|-----------------------------|---|
| Standards                   | IEEE 802.3-2002 100BaseFX                             |
| Wave Length                 | 1310nm  |
| Dimensions (HxWxD)          | 0.48" x 2.70" x 0.54"<br>(12.2mm x 68.56mm x 13.70mm) |
| Weight                      | 0.055 lb (25g)  |
| Operating Temperature       | 23 -158° F (-5 - 70°C)                                |
| Storage Temperature         | -40 ~185 °F (-40 ~ 85°C)                              |
| Operative relative humidity | 5 to 95% @ (25°C)                                     |
| Operating Distance          | Up to 2km for the 62.5/125µm MMF                      |
| Connectors                  | LC  |
| Power Consumption           | <1.2W   |
| MTBF                        | 1,587,201 Hrs(~181 years) at 25°C                     |
| Safety Certification        | UL 60950-1,CSA C22.2 No. 60950-1-03                   |
| Environmental Compliance    | RoHS  |

## Technical Support

Thank you for selecting NETGEAR products.

After installing your device, locate the serial number on the label of your product and use it to register your product at <http://www.NETGEAR.com/register>. Registration is required before you can use our telephone support service. Registration via our web site is strongly recommended.

Go to <http://kbserver.netgear.com> for product updates and Web support. For Warranty and Regional Customer Support information, see the Warranty Card that came with your product.



June 2010

## Regulatory Compliance

### Statement of Conditions

In the interest of improving internal design, operational function, and/or reliability, NETGEAR reserves the right to change the product described in this document without notice. NETGEAR does not assume any liability that may accrue due to the use or application of the product(s) or circuit layout(s) described herein.

### Certificate of Manufacture/Importer

It is hereby certified the NETGEAR model AFM735 has been suppressed in accordance with the condition set out in MBPT-Amtsb|Vfg 243/1991 and vfg 46/1992. The operation of some equipment (for example, test transmitters) in accordance with regulation may, however, be subject to certain restrictions. Please refer to the note in the operating instructions. Federal Office for Telecommunications Approvals has been notified of the placing of this equipment on the market and has been granted the right to test the series for compliance with regulation.

Note: This device has been tested and found to comply with limits for a Class B digital device, pursuant to part 15 of FCC rules. These limits are designed to provide reasonable protection against harmful interference in a commercial installation.

### Laser Safety Warning

This is a Class 1 laser product.

Warning: Because invisible laser radiation may be emitted from aperture of the port when no fiber cable is connected, avoid exposure to laser radiation and do not stare into the open aperture.