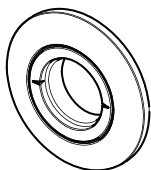


INSTALLATION GUIDE

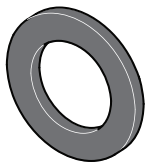
AXIS F8212 Trim Ring



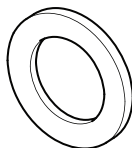
1x



1x



1x



1x

AXIS F1005-E



AXIS F1035-E

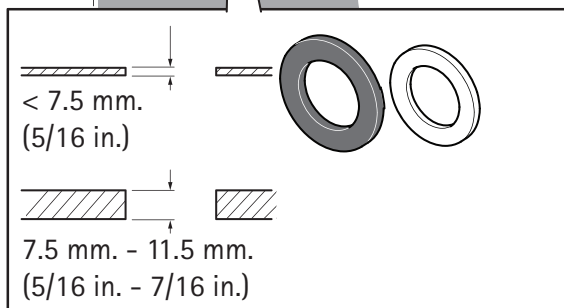
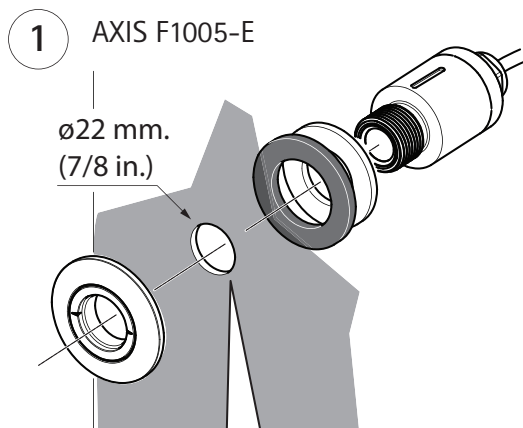


AXIS P1214-E

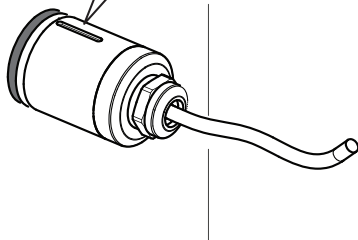
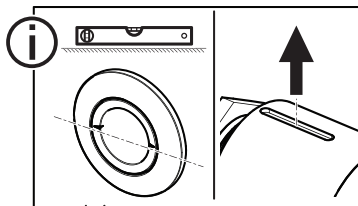


AXIS P1224-E

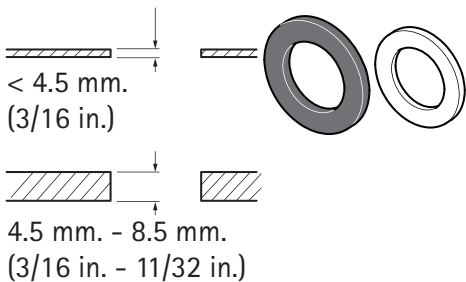
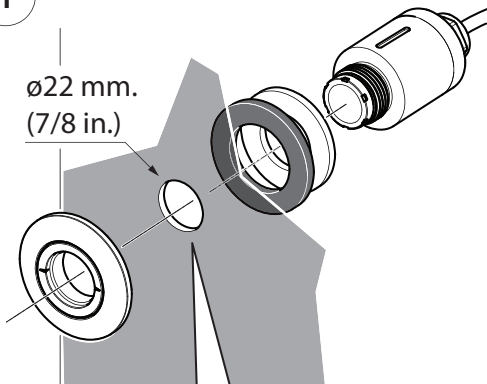




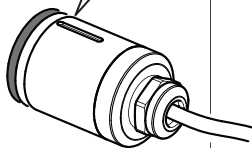
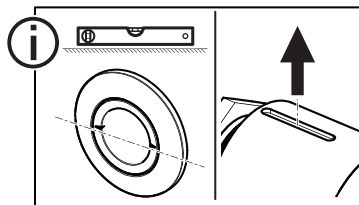
2

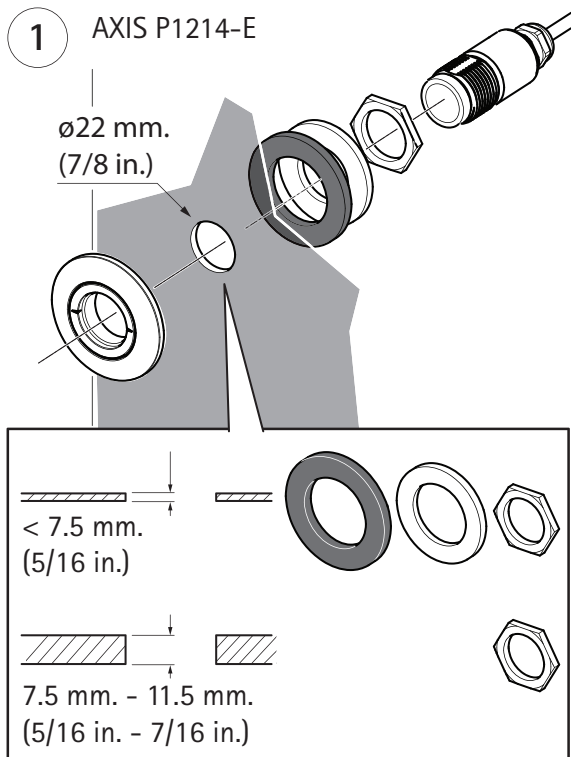


1 AXIS F1035-E

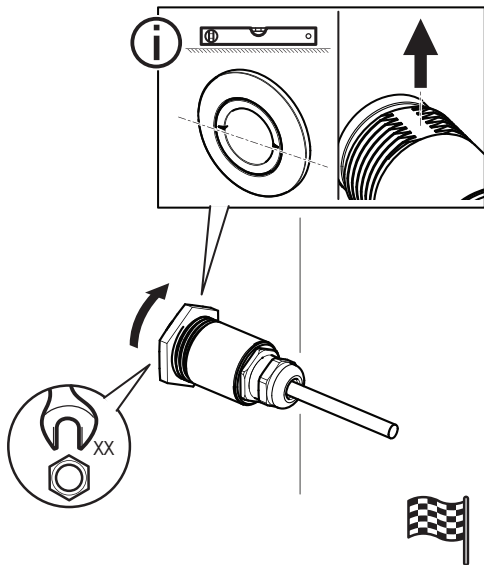


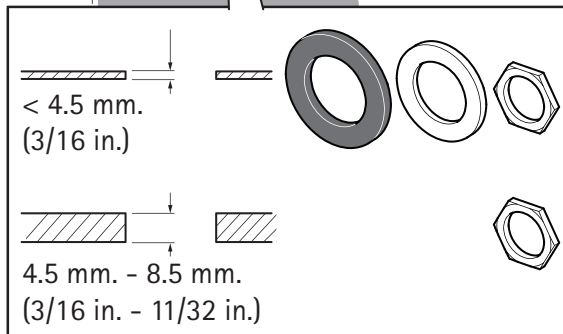
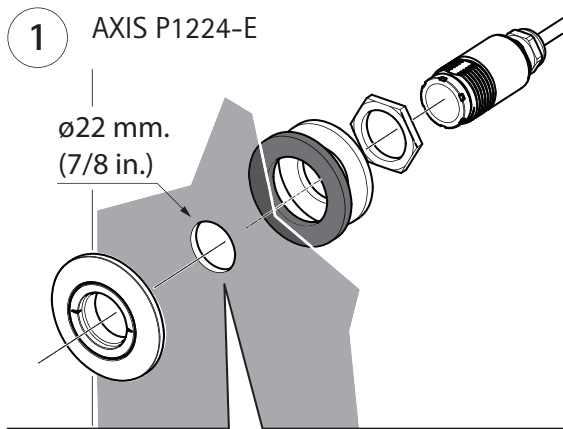
2



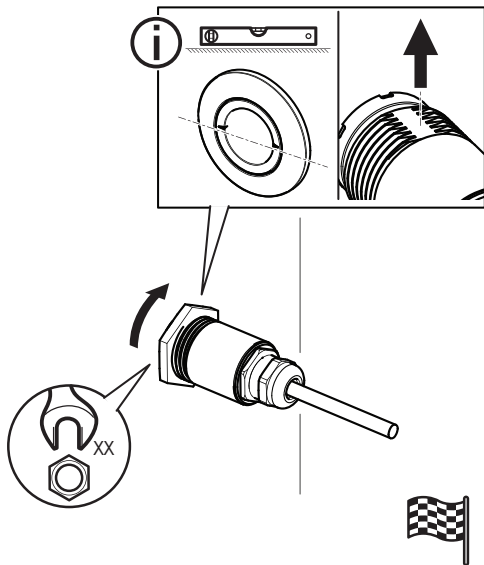


2





2



Installation Guide

AXIS F8212 Trim Ring

© Axis Communications AB, 2015

Ver.1.0

Printed: July 2015

Part No. 1486103