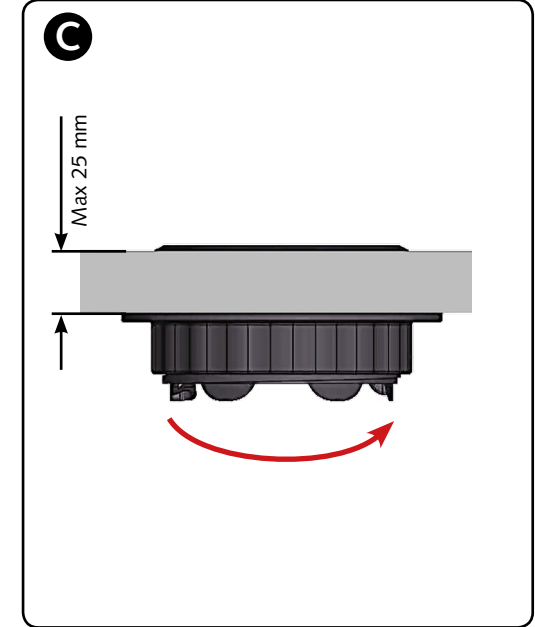
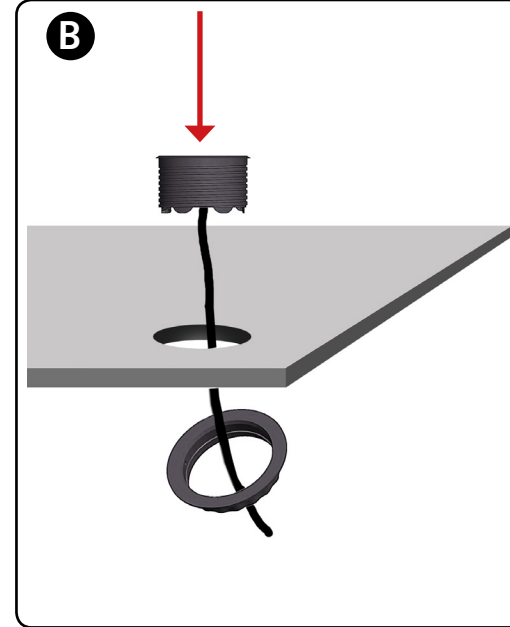
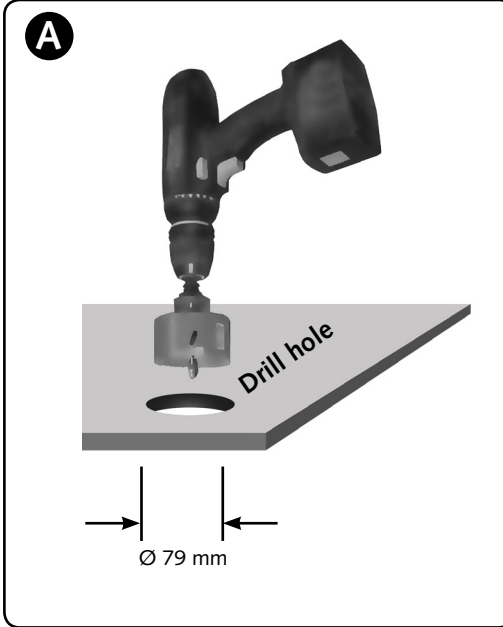
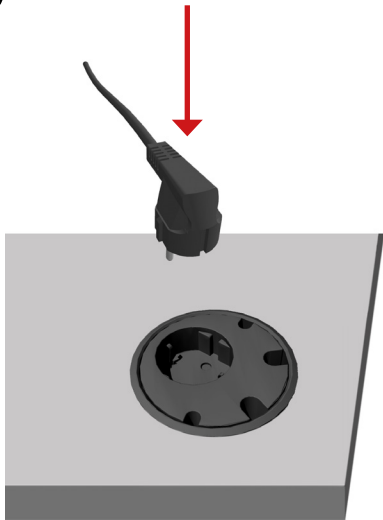


CONTENT :

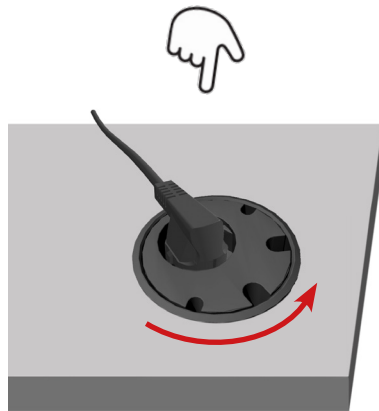


1



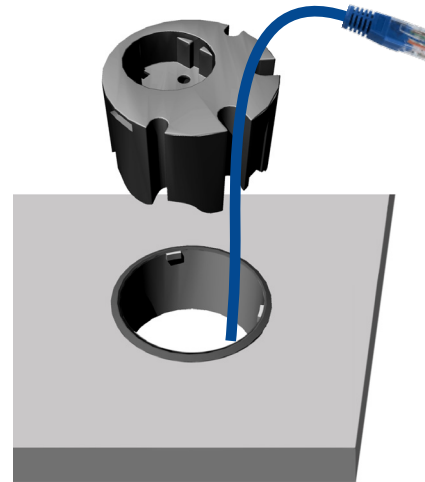
2

RELEASE
Rotate counter clockwise



3

ORGANIZE
Cables according to size



4

LOCK
Rotate clockwise

