



PRINT



Up to 23 PPM Colour



Up to 23 PPM Black



DUPLEX



Network



Lexmark C540n Series

Lexmark C540n

Lexmark C543dn

Lexmark C544 models

Small and smart design,
big-business colour!



LEXMARKTM

Print Less. Save More.

Print less? This may seem like a surprising message for a company dedicated solely to printing. But when you consider that businesses spend, on average, up to 6% of their turnover on printing, and that active print management can cut office print costs by up to 30%¹, it makes a lot of sense. Lexmark products, solutions and services provide innovative ways to save you time, drive down costs and reduce your impact on the environment. We are committed to helping you print less and save more.

¹ Source: InfoTrends/CapVentures., "Network Document Solutions Forecast 2007-2012, Network Document Solutions Consulting Service", August, 2008

Colour is here to stay! Now with Lexmark's new C540 Series, small- to mid-sized workgroups can tap into the business benefits of using Lexmark laser colour. Come and experience the ultimate combination of outstanding print quality, rapid output speeds and smart productivity tools – all packed into an amazingly small printer that fits virtually anywhere.



Convenience by your side

Make a big impact on your business with a genuine desktop-friendly colour printer. With their small, attractive new design and quiet noise level, Lexmark's new colour lasers will be welcome additions to your desktop or small workgroup.

- Exceptionally tiny footprint and low profile
- As quiet as 47 dBA while printing; reduce sound even more with Quiet Mode
- Sleek, innovative desktop-friendly design
- Built-in networking on all models to share the benefits of colour



Reap the benefits of productivity

Lexmark's C540 Series gives you a rapid first-page-out and races through your print runs at blazing speeds. What's more, these printers offer you the versatility you need to keep up with your demanding office printing needs.

- First page out as fast as 12 seconds with instant warm-up fuser
- PCL 6 and PostScript 3 emulations ensure compatibility with your application software
- Duplex printing models, now available at an attractive price
- 100-sheet multipurpose feeder and 550-sheet main tray are combined in one unique Duo Drawer option



Brighten up your business and your image

Add professional colour to your documents. Lexmark gives you the tools to control colour output and puts its colour expertise to work for you, so all your brochures, reports and graphics come out vivid and accurate to the finest details.

- Vibrant print quality: true 1200 x 1200 dpi resolution
- New generation Lexmark toner for colour quality and consistency
- Consistent colour tones with professional Pantone calibration
- Colour-control tools: coverage estimator and ColorSaver™ mode
- Lexmark High Yield and Extra High Yield Toner Cartridges cut printing costs to a minimum

Eco-responsible printing

Printing responsibly means everyone wins – your business, your budget and the environment! Lexmark's C540 Series is eco-designed and comes with a vast range of features to help you print greener at every level.

- Paper-saving built-in duplex-printing models available
- Eco-Mode reduces power consumption
- Lets you print multiple pages per sheet
- Instant warm-up fuser saves energy
- Lexmark Cartridge Collection Programme for leading-edge recycling



Simplicity in a snapshot!



Easy access

Easy-to-load toner cartridges take just seconds to replace



Intuitive management

Manage configuration settings via control panel, Web interface or Lexmark network-management tools (MarkVision Professional)



PC-free printing

Print image files directly from a USB key or PictBridge-enabled camera



Simple sharing

Very easy to set up and share with built-in network printing



Lexmark Rewards Add life to your printer



The Lexmark Rewards programme extends the life of your printer – it also reduces operating costs and helps the environment. As a member, you'll receive a free imaging kit when your printer next needs one.

We'll also send you a free Lexmark High Yield Toner Cartridge of your choice for every 10 empty Lexmark cartridges you return to us. It's our way of saying thank you for using original Lexmark cartridges with your Lexmark C540 Series colour laser.

Learn more
www.LexmarkRewards.com

Get exactly the performance you need



Lexmark C540n

A great colour value for your small office

- Up to 20 ppm printing in black and colour
- Rapid first-page-out
- High-speed USB 2.0 and Fast Ethernet
- PCL 6 and PostScript 3 emulations
- True 1200 x 1200 dpi colour print quality
- Optional Duo Drawer expands input capacity and includes a multipurpose feeder
- Lexmark High Yield Toner Cartridges available
- Recommended monthly volume: 500 to 1,500 pages



Lexmark C543dn

Smart savings for your daily colour printing needs

- Integrated duplex printing: saves paper and money
- Ships with Lexmark High Yield Toner Cartridges (2.5K Black, 2K Colour)
- Network-ready with easy set-up
- Recommended monthly volume: 500 to 1,500 pages



Lexmark C544 models

Fully loaded colour performance for your workgroup

- Fast printing up to 23 ppm in black and colour
- Lexmark Extra High Yield Toner Cartridges available (6K Black, 4K Colour)
- Front USB port for walk-up printing
- Recommended monthly volume: 800 to 3,000 pages

Configurations available: Lexmark C544n, Lexmark C544dn, Lexmark C544dtn, Lexmark C544dw*.
*Wireless model not available in all countries.

	Lexmark C540n	Lexmark C543dn	Lexmark C544n
Printing			
Print Technology	Color Laser		
Print Speed (A4, Black): Up to	20 ppm	20 ppm	23 ppm
Print Speed (A4, Colour): Up to	20 ppm	20 ppm	23 ppm
Time to First Page (Black)	As fast as 12 seconds	As fast as 12 seconds	As fast as 11 seconds
Time to First Page (Colour)	As fast as 13 seconds	As fast as 13 seconds	As fast as 12 seconds
Print Resolution, Black	1200 x 1200 dpi, 4800 Color Quality (1200 x 600 dpi)		
Print Resolution, Colour	1200 x 1200 dpi, 4800 Colour Quality (1200 x 600 dpi)		
Memory, Standard	128 MB		
Memory, Maximum	640 MB		
Acoustics/Noise level (Operating mode)	47 dBA	47 dBA	49 dBA
Acoustics/Noise level (Idle mode)	inaudible dBA		
Maximum Monthly Duty Cycle: Up to	35000 pages per month	35000 pages per month	55000 pages per month
Recommended Monthly Page Volume	500 - 1500 pages	500 - 1500 pages	800 - 3000 pages
Supplies			
Supplies Yield (*Average continuous black or continuous composite CMY declared cartridge yield up to this number of standard pages in accordance with ISO/IEC 19798.)	1,000*-page Colour Toner Cartridges (CMY), 2,000*-page Colour High Yield Toner Cartridges (CMY), 2,500*-page Black High Yield Toner Cartridge, 1,000*-page Black Toner Cartridge	1,000*-page Colour Toner Cartridges (CMY), 2,000*-page Colour High Yield Toner Cartridges (CMY), 2,500*-page Black High Yield Toner Cartridge, 1,000*-page Black Toner Cartridge	1,000*-page Colour Toner Cartridges (CMY), 2,000*-page Colour High Yield Toner Cartridges (CMY), 4,000*-page Colour Extra High Yield Toner Cartridges (CMY), 2,500*-page Black High Yield Toner Cartridge, 6,000*-page Black Extra High Yield Toner Cartridge, 1,000*-page Black Toner Cartridge
Cartridge(s) Shipping with Product	1,000*-page Black Return Program Toner Cartridge, 1,000*-page Colour (CMY) Return Program Toner Cartridges	2,500*-page Black Return Program Toner Cartridge, 2,000*-page Colour (CMY) Return Program Toner Cartridges	2,500*-page Black Return Program Toner Cartridge, 2,000*-page Colour (CMY) Return Program Toner Cartridges
Paper Handling			
Paper Handling Standard	100-Sheet Output Bin, Single Sheet Manual Feed, 250-Sheet Input Tray	100-Sheet Output Bin, Integrated Duplex, Single Sheet Manual Feed, 250-Sheet Input Tray	100-Sheet Output Bin, Single Sheet Manual Feed, 250-Sheet Input Tray
Paper Handling Optional	550-Sheet Duo Drawer with 100-Sheet Feeder		
Paper Input Capacity, Standard	250+1 pages 20 lb or 75 gsm bond		
Paper Input Capacity, Maximum	900 +1 pages 20 lb or 75 gsm bond		
Paper Output Capacity, Standard	100 pages 20 lb or 75 gsm bond		
Paper Output Capacity, Maximum	100 pages 20 lb or 75 gsm bond		
Media Types Supported	Card Stock, Labels, Plain Paper, Transparencies, Refer to the Card Stock & Label Guide		
Media Sizes Supported	A4, A5, Executive, Folio, JIS-B5, Legal, Letter, Universal, Oficio		
Compatibility			
Network Protocol Support	TCP/IP IPv4, AppleTalk™, TCP/IP IPv6, TCP, UDP		
Printer Languages (Standard)	PCL 5c Emulation, PCL 6 Emulation, PostScript 3 Emulation	PCL 5c Emulation, PCL 6 Emulation, PostScript 3 Emulation	PCL 5c Emulation, PCL 6 Emulation, PPDS, PostScript 3 Emulation, PDF 1.6, Direct Image
Connectivity (standard)	Fast Ethernet, USB 2.0 Specification Hi-Speed Certified	Fast Ethernet, USB 2.0 Specification Hi-Speed Certified	Fast Ethernet, USB 2.0 Specification Hi-Speed Certified, PictBridge Certified Port, Front USB port Compatible with USB 2.0 Specification (Type A)
Microsoft Windows Operating Systems Supported	2000, XP, Server 2003, XP x64, Server 2003 running Terminal Services, 2000 Server running Terminal Services, Server 2003 x64, Server 2003 x64 running Terminal Services, Vista, Vista x64, Server 2008, Server 2008 x64, Server 2008 running Terminal Services, Server 2008 x64 running Terminal Services		
Apple Macintosh Operating Systems Supported	Mac OS X, Mac OS 9.x		
General			
Product Guarantee	1 Year Onsite, Next Business Day		
Product Certifications	www.lexmark.com		
Size (mm - H x W x D)	291 x 424 x 400 mm		
Weight (kg)	21 kg		
Specified Operating Environment	Temperature: 16 to 32°C (60 to 90°F), Humidity: 8 to 80% Relative Humidity, Altitude: 0 - 3048 Meters (10,000 Feet)		

Maximum Monthly Duty Cycle

«Maximum Monthly Duty Cycle» is defined as the maximum number of pages a device could deliver in a month. This metric provides a comparison of robustness in relation to other Lexmark printers and MFPs.

Recommended Monthly Page Volume

«Recommended Monthly Page Volume» is a range of pages that helps customers evaluate Lexmark's product offerings based on the average number of pages customers plan to print on the device each month. Lexmark recommends that the number of pages per month be within the stated range for optimum device performance, based on factors including: supplies replacement intervals, paper loading intervals, speed, and typical customer usage.

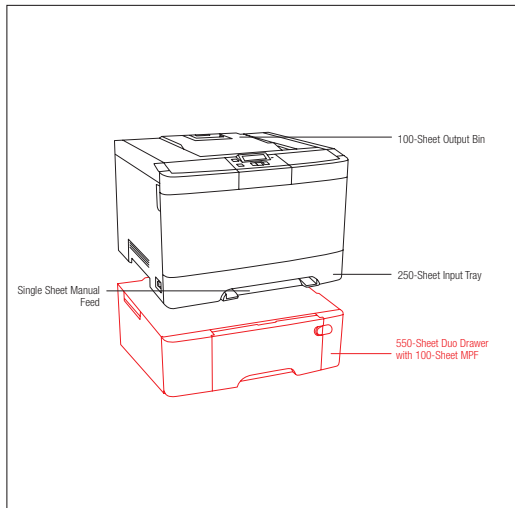
License/Agreement Terms

Printers are sold subject to certain license/agreement conditions. See www.lexmark.com/printerlicense for details.

Trademarks

Lexmark and Lexmark with the diamond design are trademarks of Lexmark International, Inc., registered in the United States and/or other countries. All other trademarks are the property of their respective owners. PCL is a registered trademark of Hewlett-Packard Company. AppleTalk, Mac and Macintosh are trademarks of Apple Computer, Inc., registered in the United States and other countries. MarkNet and MarkVision are trademarks of Lexmark International, Inc., registered in the United States and/or other countries. The USB-IF logos are trademarks of Universal Serial Bus Implementers Forum, Inc. ENERGY STAR® is a U.S. registered mark. Microsoft, Windows, the Windows logo, Windows Vista, and the Windows Vista logo are trademarks or registered trademarks of Microsoft Corporation in the United States and/or other countries. Citrix, MetaFrame and MetaFrame XP are registered trademarks or trademarks of Citrix Systems, Inc. in the U.S. and other countries. Information in this document is subject to change without notice.

Lexmark C540n



Paper Handling Standard
 Paper Handling Optional

Part #	Model
0026A0030	Lexmark C540n
Part #	Laser Toner/Print Cartridge
0C540H1KG	Black High Yield Return Program Toner Cartridge
0C540H1CG	Cyan High Yield Return Program Toner Cartridge
0C540H1MG	Magenta High Yield Return Program Toner Cartridge
0C540H1YG	Yellow High Yield Return Program Toner Cartridge
0C540A1KG	Black Return Program Toner Cartridge
0C540A1CG	Cyan Return Program Toner Cartridge
0C540A1MG	Magenta Return Program Toner Cartridge
0C540A1YG	Yellow Return Program Toner Cartridge
0C540H2KG	Black High Yield Toner Cartridge
0C540H2CG	Cyan High Yield Toner Cartridge
0C540H2MG	Magenta High Yield Toner Cartridge
0C540H2YG	Yellow High Yield Toner Cartridge
0C540X75G	Waste Toner Bottle
0C540X35G	Photoconductor Unit
0C540X31G	Black Developer Unit
0C540X32G	Cyan Developer Unit
0C540X33G	Magenta Developer Unit
0C540X34G	Yellow Developer Unit
0C540X71G	Black Imaging Kit
0C540X74G	Black and Colour Imaging Kit

Part #	Paper & Transparencies
0012A5951	Glossy Laser Paper, A4 (200)
0012A8241	Professional Colour Laser Transparencies, A4
0012A5950	Glossy Laser Paper, Letter (200)

Part #	Paper Handling
003000551	550-Sheet Duo Drawer with 100-Sheet MPF

Part #	Memory Options
001022298	128MB DDR1-DRAM
001022299	256MB DDR1-DRAM
001022301	512MB DDR1-DRAM

Part #	Connectivity
001021294	USB (2 Meter) Cable
0014T0155	Lexmark N4050e 802.11g Wireless Print Server
0014T0220	MarkNet™ N7020e Gigabit Ethernet Print Server

Part #	Extended Warranties
002350407	C540 2-Years Total Onsite Service, Next Business Day

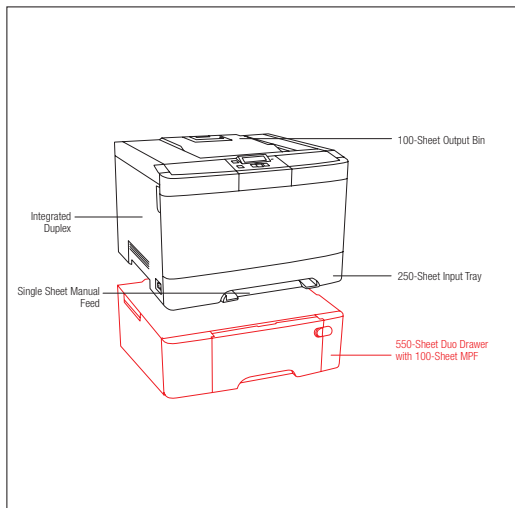
In the box
 Lexmark C540n color laser printer, 1,000*-page color (CMY) Starter Toner Cartridges, 1,000*-page Black Starter Toner Cartridge, 4 Developer units (K, C, M, Y), Photoconductor unit, Software and Documentation CD, Power Cord(s), Setup Guides (network and local attachment), Statement of limited warranty / guarantee, Operator panel language overlays, Lexmark Cartridge Collection Programme information

002350408	C540 3-Years Total Onsite Service, Next Business Day
002350409	C540 4-Years Total Onsite Service, Next Business Day
002350411	C540 1-Year Renewal Onsite Service, Next Business

Part #	Service Parts
0040X5407	C54x, X543, X544 Fuser 220-240V

Part #	Installation Service
002350431	C540 Installation

Lexmark C543dn



Paper Handling Standard
 Paper Handling Optional

Part #	Model
0026B0030	Lexmark C543dn
Part #	Laser Toner/Print Cartridge
0C540H1KG	Black High Yield Return Program Toner Cartridge
0C540H1CG	Cyan High Yield Return Program Toner Cartridge
0C540H1MG	Magenta High Yield Return Program Toner Cartridge
0C540H1YG	Yellow High Yield Return Program Toner Cartridge
0C540A1KG	Black Return Program Toner Cartridge
0C540A1CG	Cyan Return Program Toner Cartridge
0C540A1MG	Magenta Return Program Toner Cartridge
0C540A1YG	Yellow Return Program Toner Cartridge
0C540H2KG	Black High Yield Toner Cartridge
0C540H2CG	Cyan High Yield Toner Cartridge
0C540H2MG	Magenta High Yield Toner Cartridge
0C540H2YG	Yellow High Yield Toner Cartridge
0C540X75G	Waste Toner Bottle
0C540X35G	Photoconductor Unit
0C540X31G	Black Developer Unit
0C540X32G	Cyan Developer Unit
0C540X33G	Magenta Developer Unit
0C540X34G	Yellow Developer Unit
0C540X71G	Black Imaging Kit
0C540X74G	Black and Colour Imaging Kit

Part #	Paper & Transparencies
0012A5951	Glossy Laser Paper, A4 (200)
0012A8241	Professional Colour Laser Transparencies, A4
0012A5950	Glossy Laser Paper, Letter (200)

Part #	Paper Handling
003000551	550-Sheet Duo Drawer with 100-Sheet MPF

Part #	Memory Options
001022298	128MB DDR1-DRAM
001022299	256MB DDR1-DRAM
001022301	512MB DDR1-DRAM

Part #	Connectivity
001021294	USB (2 Meter) Cable
0014T0155	Lexmark N4050e 802.11g Wireless Print Server
0014T0220	MarkNet™ N7020e Gigabit Ethernet Print Server

Part #	Extended Warranties
002350442	C543 2-Years Total Onsite Service, Next Business Day

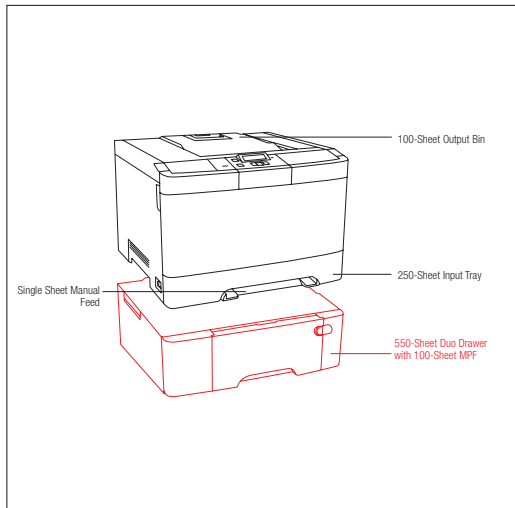
002350443	C543 3-Years Total Onsite Service, Next Business Day
002350444	C543 4-Years Total Onsite Service, Next Business Day
002350446	C543 1-Year Renewal Onsite Service, Next Business

Part #	Service Parts
0040X5407	C54x, X543, X544 Fuser 220-240V

Part #	Installation Service
002350466	C543 Installation

In the box
 Lexmark C543dn color laser printer, 2,000*-page color (CMY) Starter Toner Cartridges, 2,500*-page Black Starter Toner Cartridge, 4 Developer units (K, C, M, Y), Photoconductor unit, Software and Documentation CD, Power Cord(s), Setup Guides (network and local attachment), Statement of limited warranty / guarantee, Operator panel language overlays, Lexmark Cartridge Collection Programme information

Lexmark C544n



Paper Handling Standard
 Paper Handling Optional

Part #	Model
0026C0080	Lexmark C544n
Part #	Laser Toner/Print Cartridge
0C544X1KG	Black Extra High Yield Return Program Toner Cartridge
0C544X1CG	Cyan Extra High Yield Return Program Toner Cartridge
0C544X1MG	Magenta Extra High Yield Return Program Toner
0C544X1YG	Yellow Extra High Yield Return Program Toner
0C540H1KG	Black High Yield Return Program Toner Cartridge
0C540H1CG	Cyan High Yield Return Program Toner Cartridge
0C540H1MG	Magenta High Yield Return Program Toner Cartridge
0C540H1YG	Yellow High Yield Return Program Toner Cartridge
0C540A1KG	Black Return Program Toner Cartridge
0C540A1CG	Cyan Return Program Toner Cartridge
0C540A1MG	Magenta Return Program Toner Cartridge
0C540A1YG	Yellow Return Program Toner Cartridge
0C544X2KG	Black Extra High Yield Toner Cartridge
0C544X2CG	Cyan Extra High Yield Toner Cartridge
0C544X2MG	Magenta Extra High Yield Toner Cartridge
0C544X2YG	Yellow Extra High Yield Toner Cartridge
0C540H2KG	Black High Yield Toner Cartridge
0C540H2CG	Cyan High Yield Toner Cartridge
0C540H2MG	Magenta High Yield Toner Cartridge
0C540H2YG	Yellow High Yield Toner Cartridge
0C540X7G5	Waste Toner Bottle
0C540X3G5	Photoconductor Unit
0C540X31G	Black Developer Unit
0C540X32G	Cyan Developer Unit
0C540X33G	Magenta Developer Unit
0C540X34G	Yellow Developer Unit
0C540X71G	Black Imaging Kit
0C540X74G	Black and Colour Imaging Kit
Part #	Paper & Transparencies
0012A5951	Glossy Laser Paper, A4 (200)
0012A8241	Professional Colour Laser Transparencies, A4
0012A5950	Glossy Laser Paper, Letter (200)
Part #	Paper Handling
003000551	550-Sheet Duo Drawer with 100-Sheet MPF
Part #	Memory Options
001022298	128MB DDR1-DRAM
001022299	256MB DDR1-DRAM
001022301	512MB DDR1-DRAM

001021209	64MB Flash Card
0030G0828	Japanese Font Card
0030G0825	Korean Font Card
0030G0826	Simplified Chinese Font Card
0030G0827	Traditional Chinese Font Card

Part #	Connectivity
001021294	USB (2 Meter) Cable
001410155	Lexmark N4050e 802.11g Wireless Print Server
001410220	MarkNet™ N7020e Gigabit Ethernet Print Server

Part #	Extended Warranties
002350477	C543 2-Years Total Onsite Service, Next Business Day
002350478	C543 3-Years Total Onsite Service, Next Business Day
002350479	C543 4-Years Total Onsite Service, Next Business Day
002350481	C543 1-Year Renewal Onsite Service, Next Business

Part #	Service Parts
0040X5407	C54x, X543, X544 Fuser 220-240V

Part #	Installation Service
002350501	C543 Installation

Other models available

C544dn: Lexmark C544n + integrated duplex
 C544dw: Lexmark C544dn + built-in wireless
 C544dt: Lexmark C544dn + extra drawer

In the box

Lexmark C544n color laser printer, 3,000*-page color (CMY) Starter Toner Cartridges, 4,000*-page Black Starter Toner Cartridge, 4 Developer units (K, C, M, Y), Photoconductor unit, Software and Documentation CD, Power Cord(s), Setup Guides (network and local attachment), Statement of limited warranty / guarantee, Operator panel language overlays, Lexmark Cartridge Collection Programme information

Lexmark's guarantee to you

At Lexmark, we're always working hard to ensure you achieve maximum productivity and minimum downtime. For greater level of peace of mind, you can opt for one of our Lexmark service offerings detailed on www.lexmark.com/services



Environmental commitment

Lexmark believes that the environment is a critical component of responsible business management and clearly demonstrates it by implementing the "4R" strategy: Reduce, Recover, Reuse and Recycle. To learn more about these programmes please visit www.lexmark.com/recycle

Cost saving and environmental features

- Energy Star compliant
- Duplex printing, print and hold (verify print), multi-up printing and quality printing on recycled paper help reducing paper consumption
- Selectable toner saving modes help reducing the amount of toner used on a page.
- Return programme cartridges and end-of-life product management help reducing landfill

