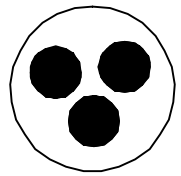
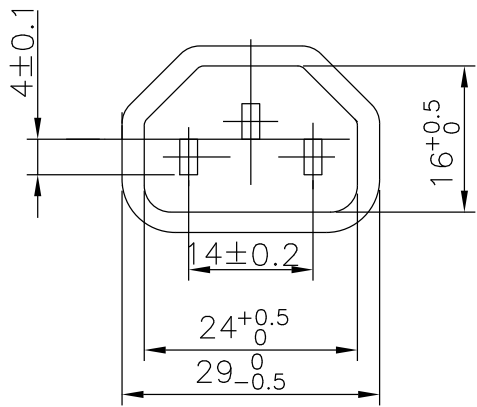
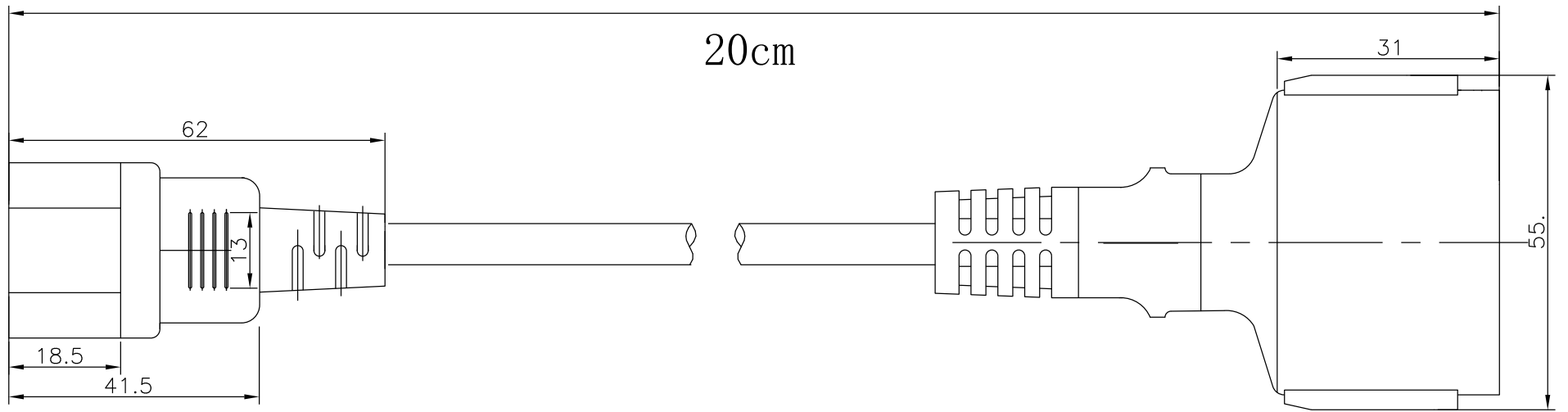
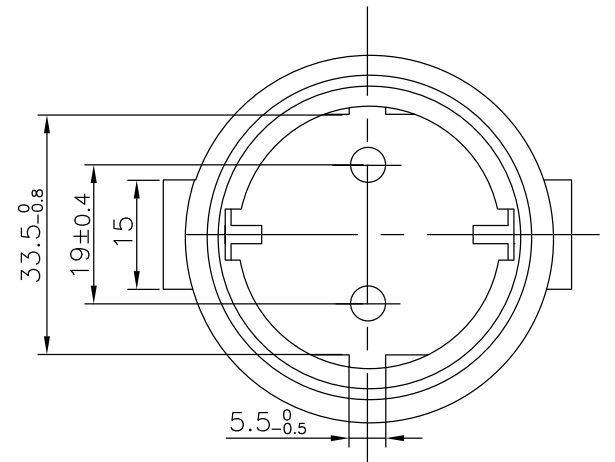


BY	CHK	REVISION RECORD MODIFICATIONS	DATE	REV.
		INITIAL RELEASE	2009.03.02	A.0



H05VV-F 3X0.75mm²



1	IEC C14 Male— CEE7/4(Schuko) Female
2	H05VV-F 3X0.75mm ²

APPROVED	CHECKED	DRAWN	ITEM NO.	DEL-109P
			DRAW NO.	
			UNIT	mm
			SCALE	NONE

DESCRIPTION :
 IEC C14 Male— CEE7/4(Schuko) Female
 H05VV-F 3*0.75mm²
 20cm

