



Highlights at a Glance:

In-Session Performance:

- ✔ Outstanding In-session Performance, including video and sound
- ✔ Ability to run heavy graphical applications in session (AutoCAD, Solid works, medical apps, and more)

Powerful Multimedia Capabilities:

- ✔ Highest, demonstrated local video performance
- ✔ Powerful Linux MPlayer supporting a wide range of video formats
- ✔ High-performance Video-over-ICA
- ✔ High-performance Video-over-RDP

Flexible, Linux-based OS:

- ✔ Cost-effectiveness and security advantages of ultra thin devices
- ✔ Performance, video and flexibility advantages of high-end, high-cost Full Linux/XPe devices
- ✔ Data integrity & security, virus-immune, no security patches required

Value-Added Management:

- ✔ Fully managed via Policy-based, value-added Xcalibur Global management suite
- ✔ Allows login to Active Directory domain from Linux-based devices
- ✔ Manage devices in any environment (LAN, WAN, Remote site)

Green Devices:

- ✔ Lowest power consumption, only 3W power
- ✔ Best power/performance ratio
- ✔ Smallest form-factor assures minimum carbon footprint and maximum recycling potential
- ✔ Power by monitor option with Chip PC USB power cable

Features at a Glance:

- ✔ Miniature, Portable Form Factor
- ✔ RMI 1250 RISC Processor, 528 MHz (Equivalent to 1.8 GHz x86), including local multimedia acceleration
- ✔ 256 MB Flash/128 MB RAM DDR2
- ✔ 4 x USB 2.0 ports, DVI-D Video, Audio-In/Out
- ✔ Resolutions: up to 1600x1200px @ 64K (16 bit) colors

Plug PC LXP 2310

Simple, efficient, scalable - this is not your old PC. The new **Plug PC LXP 2310** from Chip PC ushers in a new era that will take the virtual desktop and thin client beyond the familiar desktop experience to the superior!

Chip PC's **Plug PC LXP 2310** draws as low as 3 watts of power at maximum load featuring on-board multimedia acceleration; With its design centered on ease-of-use it provides seamless integration into desktop virtualization and server-based computing environments.

Chip PC innovative Linux-based OS and onboard multimedia acceleration offer the cost-effectiveness and security advantages of ultra thin devices, while providing performance, video and flexibility advantages offered by high-end, high-cost Full Linux, XPe devices.

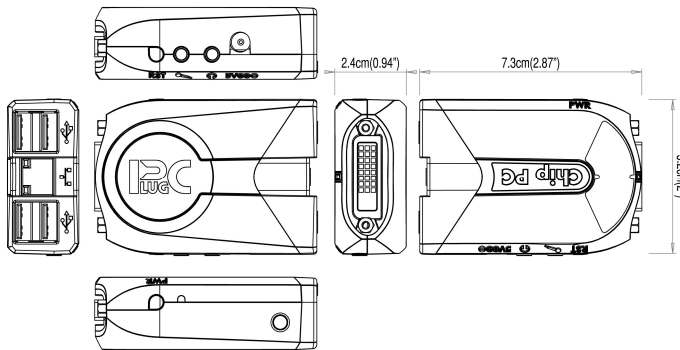
Plug PC LXP 2310 unparalleled in-session performance eliminates the need for streaming and runs in-session heavy applications such as AutoCAD. In addition, it offers integrated Video-over-ICA and Video-over-RDP capabilities, where the in-session video is redirected to be run locally. Such redirection contributes greatly to highest video performance levels.

Chip PC implementation is simple, efficient and scalable. The benefits for IT organizations are simplicity in deployment and maintenance, with the added benefit of the lowest power consumption desktop appliance in any class.

Supported by the industry-leading management and monitoring solution from Chip PC – the Xcalibur Global, **Plug PC LXP 2310** offers management of Linux-based devices in a Microsoft Policy-based, Active Directory environment. Xcalibur Global provides complete, centralized management and monitoring of thousands of devices from the data center; It offers ultimate manageability, monitoring and scalability from small, medium install bases to the richest, largest, most complex server-based and virtual desktop environments.

The **Plug PC LXP 2310** is a splendid combination of contrasts as a desktop appliance smaller than a pack of cards yet very powerful; providing full function multimedia video performance in a 3 watt ultra green platform of only 6 cubic inch in size.





Product Specifications Plug PC LXP 2310

CPU	<ul style="list-style-type: none"> RMI Au 1250, 528 MHz RISC, equivalent to x86 1.8 GHz
Memory	<ul style="list-style-type: none"> 128 MB DDR2
Mass Storage	<ul style="list-style-type: none"> 256 MB Disk-On-Chip with FFS 10 years data retention
Display Support	<ul style="list-style-type: none"> Digital video DVI-D connector
Resolutions	<ul style="list-style-type: none"> Up to 1600x1200 Pixels @ 64k (16 bit)
Video Player	<ul style="list-style-type: none"> DivX HD CODEC (hardware accelerated) MPEG4 (hardware accelerated)
Audio Support	<ul style="list-style-type: none"> Stereo Audio Output - 3 mm (1/8 inch) Audio-Out Jack; 16-bit Stereo Microphone Input - 3 mm (1/8 inch) Audio-In Jack Software volume / mute control
Input/Output	<ul style="list-style-type: none"> 4 x USB 2.0 ports
Operating System	<ul style="list-style-type: none"> Linux-based kernel
Firmware	<ul style="list-style-type: none"> ICA 10 client RDP (RDesktop 1.6) MPlayer X-Windows 7.2 server
Network	<ul style="list-style-type: none"> 10/100 Fast Ethernet, twisted pair (RJ-45) with Auto-negotiate TCP/IP with DNS and DHCP Wake On LAN support
Warranty	<ul style="list-style-type: none"> 1 year automatic Warranty, additional 2 years pending on product registration http://www.chippc.com/support/

Product Specifications Plug PC LXP 2310

Power	<ul style="list-style-type: none"> • Device input: 5V DC 2A max. • Normal power consumption:3W • Power consumption (sleep mode): 0.35W • Wall-mount power supply input: Universal 90 – 240V AC 50-60 Hz input (included) • Optional USB power (no AC/DC is required)
Physical Characteristics	<ul style="list-style-type: none"> • Dimensions: 5 (W) x7.7 (D) x 2.4 (H) cm / 2 (W) x 3 (D) x 0.9 (H) inch • Device weight: 62 gr [2 oz] • Shipping weight: 0.3 Kg [0.7 lbs]
Environmental	<ul style="list-style-type: none"> • Temperature range: Operating - 32°F to 104°F (0°C to 40°C) • Storage: -46°F to 163°F (-20°C to 70°C) • Humidity: Operating - 20 to 80% non condensing; Storage - 0 to 90% non condensing • Altitude: 0 to 42,000 ft
Regulatory Compliance	<ul style="list-style-type: none"> • Safety: UL 1950, cUL, EN/IEC60950-1 • EMI/EMC: FCC Class B, CE Mark, EN61000-6-3, EN61000-6-1, VCCI • EPA ENERGY STAR
Optional Software Plug-Ins (for an additional cost)	<ul style="list-style-type: none"> • Visit www.chippc.com to download /purchase
Optional Accessories (for an additional cost)	<ul style="list-style-type: none"> • Visit www.chippc.com for an updated list
Enclosure Color	Black Metalized

- Monitor, keyboard and mouse - to be purchased separately
- Xcalibur Global & Plugin licenses - to be purchased separately
- Above features are supported in latest firmware image version released
- Actual display support is dependent on display hardware and cable quality; some of the resolutions and display modes described above may not be supported by certain displays or cables
- Specifications are subjected to change without prior notice



RDP



XCALIBUR GLOBAL



The Company

Chip PC Technologies drives innovation into reality as a global technology leader in desktop virtualization and server-centric computing. A public company with branches in Europe and the U.S., Chip PC develops and markets top notch, thin client technology and management systems.

Chip PC's team of dedicated researchers and developers have combined their years of experience to yield novel ideas and deliver an outstandingly innovative family of thin client/virtual desktop products.

With the award winning Xcalibur Global management system and innovative devices, Chip PC maintains a leading market position with its end-to-end solution.

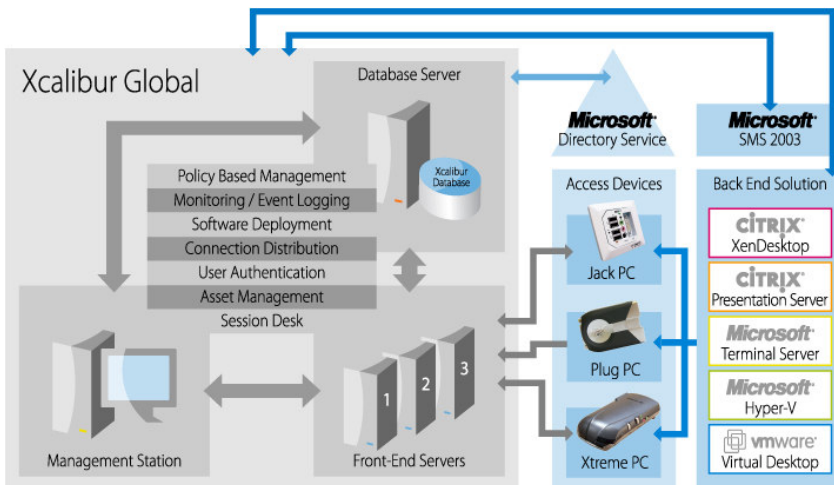


The End-to-End Solution

Targeted at solving the thorny problems of management, security, reliability, maintenance and costs of desktop computers, the company's technology constructs a ground-up solution of innovative clients orchestrated by intelligent management of users and devices, scalable to tens of thousands of clients.

Chip PC's unique solution constructs a ground-up thin client network from the revolutionary Jack PC that fits into a standard wall jack, through the Xtreme PC & Plug PC Series, state-of-the-art, powerful, desktop units.

These server-centric, revolutionarily designed, units are comprehensively managed by Chip PC's Xcalibur Global. The Xcalibur Global Management System simulates an Active Directory environment with intelligent usage of its management principles of policies and tools and offers flexible management that applies down to the specific needs of every particular client unit or user.



Chip PC HQ
Tel: +972 (0) 4 8501121
e-mail: info@chippc.com

Chip PC UK
Tel: +44 (0) 870 606 1007
e-mail: info@chippc.co.uk

Chip PC Inc US
Tel: +1 (0) 866-674-1678
Tel: +1 (0) 972-827-0379
e-mail: info.us@chippc.com

Chip PC France
Tel: +33 (0) 611 4207 84
e-mail: info.fr@chippc.com

Chip PC Germany
Tel: +49 (0) 201 4513100
Tel: +49 (0) 89 5171 7562
e-mail: info@chippc.de

Chip PC Benelux
Tel: +31 (0)33 8887737
e-mail: info.nl@chippc.com