



CATERING BREWERS

MOCCAMASTER

HANDMADE

For the real taste of coffee



ORIGINAL INSTRUCTIONS FOR USE

www.technivorm.com

CONGRATULATIONS ON YOUR PURCHASE OF THE WORLD'S FINEST FILTER COFFEE BREWER!



Gerard-Clement Smit
Founder of the company and
designer of the products.

Handmade in the Netherlands

The Technivorm Moccamaster factory is centrally located in the heart of the Netherlands and serves customers all over the world.

The philosophy of the inventor, Gerald-Clement Smit, to produce high-quality, long-lasting and reliable products, has been guiding the manufacturing of every coffeemaker since 1964. Even today, each coffee brewer is handmade and individually tested in a live situation, using only the finest materials available. Energy efficiency and recyclability play an important role in the design of each Technivorm Moccamaster Coffeemaker.

WHAT'S IMPORTANT WHEN SELECTING A COFFEE BREWER?

- Temperature (92-96 °C)
- Saturation Time (4 to 6 minutes)
- Cleanability
- Longevity
- Reliability
- Warranty

SAVE THESE INSTRUCTIONS

Dit apparaat voldoet aan de volgende EEG richtlijnen:
This appliance is in accordance with the following Directives:
Dieses Gerät wurde in Übereinstimmung gemäß folgende Richtlinien gebaut:
Cet appareil est conforme aux directives:



LVD 2006/95/EC
EMC 2004/108/EC



WEEE 2002/96/EC
RoHS 2011/65/EC



IMPORTANT SAFEGUARDS

WHEN USING ELECTRICAL APPLIANCES, BASIC SAFETY PRECAUTIONS SHOULD ALWAYS BE FOLLOWED, INCLUDING THE FOLLOWING:

- **READ ALL INSTRUCTIONS.**
- Unwrap the coffee maker with care and remove all packaging materials. Keep the packaging (plastic bags and cardboard) out of reach of children.
- The appliance is intended to be used in household and similar applications such as:
 - staff kitchen areas in shops, offices and other working environments.
 - farm houses
 - by clients in hotels, motels and other residential type environments.
 - bed & breakfast environments.
- Use the machine indoors only.
- Appliance can be used by persons with reduced physical sensory or mental capabilities or lack of experience and knowledge if they have been given supervision or instruction concerning use of the appliance in a safe way.
- This appliance can be used by children aged from 8 years and above if they have been given supervision or instruction concerning use of the appliance in a safe way and if they understand the hazards involved.
- Cleaning and user maintenance shall not be carried out by children unless they are older than 8 years and supervised. Keep the appliance and its cord out of reach of children aged less than 8 years.
- Children shall not play with the appliance.
- Check to see if the voltage of the appliance matches your mains voltage. The appliance must be plugged into a socket with safety ground.
- Unplug from socket when not in use and before cleaning the surface of the appliance.
- Allow to cool before putting on or taking off parts, and before cleaning the surface of the appliance.
- The appliance, cord and plug may never be partially or entirely submerged in water or other liquid.
- Do not operate the appliance with a damaged cord or plug or if the appliance malfunctions or is damaged in any way. Contact your supplier or importer.
- If the cord is damaged, it must be replaced with a special cord, which is available from the manufacturer or importer. Never attempt to repair the appliance yourself, repair must be carried out by skilled technicians. Return the appliance to the nearest service facility for examination, repair or adjustment.
- Place the appliance on a flat surface in a frost-free room.
- Do not place the appliance on a hot surface, near gas- or electric cookers or in an oven.
- Do not run the cord across hot surfaces or let it hang over the

IMPORTANT SAFEGUARDS

- edge of table or counter, were it could be pulled on by children.
- Do not use the appliance for any purpose other than its intended use.
- Do not touch the hot parts of the appliance, such as the outlet pipe or hotplate.

READ INSTRUCTIONS CAREFULLY BEFORE USING

- Do not remove brew-basket or carafe while brewing
- Do not pour any liquids other than water or recommended cleaning product into water reservoir.
- Scalding may occur if any parts are removed during brewing cycles.

Glass jug

- The glass jug is designed for use with this appliance.
- Do not set a hot jug on a cold surface. Never place the glass jug over open flame or hot range cook-top or other heat source.
- Do not use a cracked glass jug or a jug with loose handle.
- Do not clean the jug with abrasive cleaners, steel wool or similar materials.

NOT DISWASHER SAFE

Thermos

- Do not use the thermos for storing dairy products or baby food, as these will curdle if kept for a longer period of time.
- Do not use for carbonated beverages.
- Do not transport the thermos in a horizontal or up-side-down position as it can lead to leakage. Use the special transport lid.
- Do not drink directly from the thermos. Liquid from the carafe may be very hot.
- Never place the thermos onto a hot/warm cooking ring, gas cooker or other heat source.
- Never place the thermos in an oven or microwave.
- Do not clean thermos with abrasive cleaners, steel wool or similar materials.

NOT DISWASHER SAFE.

BEFORE YOU USE

Before using your new coffee brewer for the first time, or if the machine has not been used for some time, we recommend first rinsing the water receptacle. Fill the coffee brewer with cold water and operate once or twice without any coffee.

POWER SUPPLY CORD

The short power supply cord is provided to reduce risks resulting from becoming entangled in or tripping over a longer cord. If an extension cord is used, the marked electrical rating of the extension cord must be at least as great as the rating of the coffee brewer. The extension cord must be a grounding type 3 cord.

The extension cord should be arranged so it doesn't drape over the counter or table top where it can be pulled over by children or tripped over.

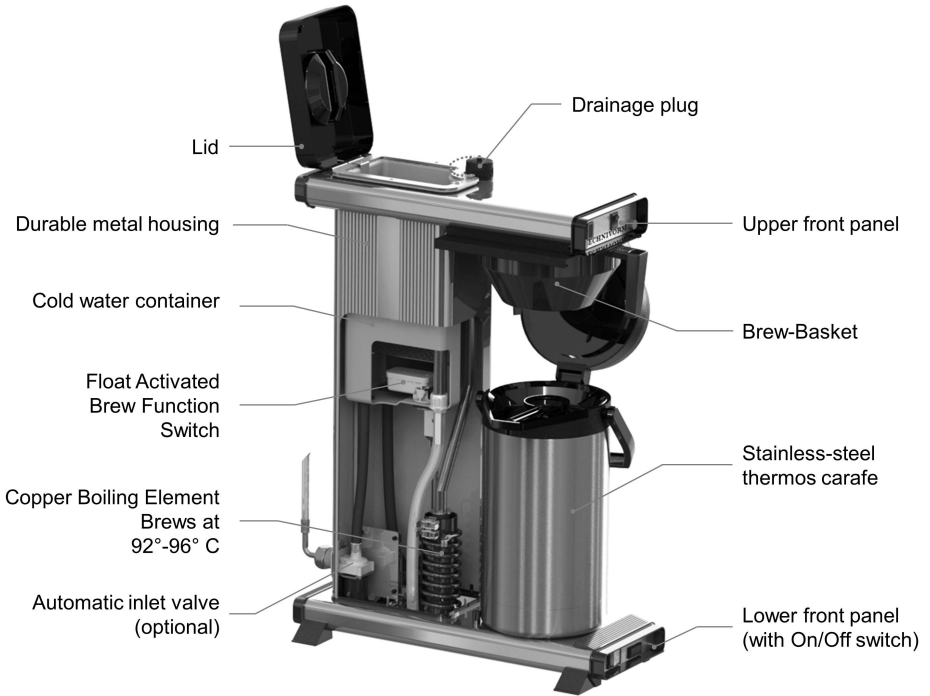
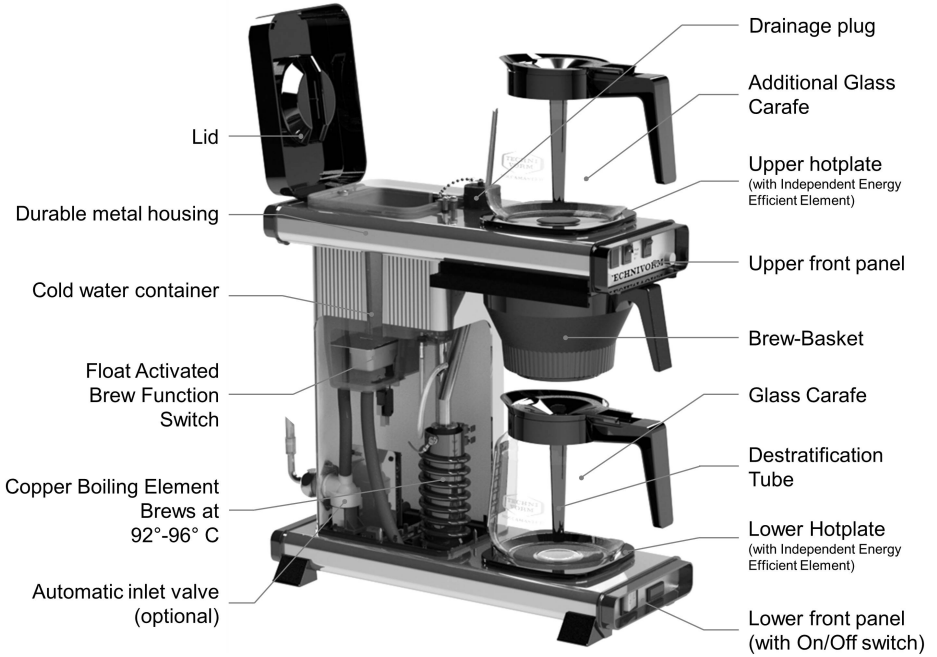
IMPORTANT: This coffee brewer is equipped with a special cord and plug, which in case of damage should be replaced by a matching cord and plug. This can be obtained from your Moccamaster service point.

ENVIRONMENTAL RECOMMENDATIONS

- Please discard the filter and coffee grounds by disposing of them in an organic waste container or compost heap. If not available, you may dispose of filters and grounds in normal household waste.
- For environmental concerns, please recycle responsibly. Do not throw away the appliance with the normal household waste, but hand it in at an official collecting point for recycling. By doing this, you help preserve the environment.

MOCCAMASTER

PARTS



NOTE: Models shown are the Moccaserver Autofill and Thermoking3000 Autofill. The features on your machine may differ slightly.

www.technivorm.com

MODELS

THERMAL CARAFE



MODEL: THERMOKING
CAPACITY: 1.8L
144 cups/hour
OPTIONAL: Autofill

GLASS CARAFE



MODEL: MOCCASERVER
CAPACITY: 1.8L/carafe
144 cups/hour
OPTIONAL: Autofill



MODEL: THERMOKING 3000
CAPACITY: 3.0L
160 cups/hour
OPTIONAL: Autofill



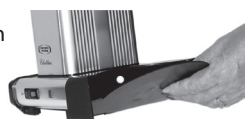
MODEL: MOCCAFOUR
CAPACITY: 1.8L/carafe
288 cups/hour (3N)
175 cups/hour (single phase)
OPTIONAL: Autofill
3N or single phase version



MODEL: THERMOSERVE
CAPACITY: 1.8L
144 cups/hour
OPTIONAL: Autofill

Locking the footplate in place (Thermoserve only)

- Tilt coffee brewer backwards slightly.
- Hook footplate's vertical rim into the cut away opening, then lower brewer. Footplate is now locked in place.
- Place the thermos on the footplate, so it presses the white button on the inner base.
- The orange warning light will be on to indicate correct placement of the thermos.



DIRECTIONS FOR USE

1. Fill the water container with fresh COLD water and prime the machine by brewing a carafe full of water through the system (this will clean the pipes etc. of dust and will fill the boiler and pipes with water to ensure that the first brew provides a full carafe of coffee).
2. Place a fluted filter into the filter cone. Fill the paper with the required amount of filter fine ground coffee and slide the filter cone firmly into position.
3. Place an empty carafe underneath the filter cone and switch the machine on.
4. A green brewing light will come on to indicate that the machine is brewing. It will go out when the brewing cycle is complete (does not apply to Moccaserver E and Thermoking).
5. The machine ON switch also controls the bottom hotplate, so leave the switch on whilst keeping the coffee hot. The top hotplate has its own switch either directly under the top of the hotplate or on top of the main ON switch on the base of the machine (Moccaserver-E).
6. Make sure all hotplates are switch OFF when the carafes are empty. Overheating empty glass carafes will weaken the glass.
7. Always remove used coffee/filter paper from the filter pan at the end of each brew. NEVER use the hotplate to re-heat coffee or other liquids.

Basic Cleaning

- Disconnect the machine before regular cleaning with a damp (NOT WET) cloth and wipe dry afterwards. Never immerse machine in liquid. Other parts, such as carafes, lids, filter cones may be washed in the normal way.
- **DESCALE THE MACHINE REGULARLY. FAILING TO DESCALE WILL CAUSE THE BOILER TO OVERHEAT AND EVENTUALLY THE FUSE TO TRIP.** The warning signs that the machine should be descaled immediately are that the descale light comes on, or - in case of the Moccaserver E and Thermoking - that the machine makes a snorting noise during brewing.

Descaling instruction

- Unscrew the drainage plug - under the lid of the cold water container - and turn the machine upside down to drain the residual water from the boiler.
- Fill the container with the correctly diluted descaler.
- Do not switch the machine on, but simply allow the descaler to gravity feed in the boiler from where it will work its way through the system. A chemical reaction between the scale and the descaler - clearly visible as foaming - forces the descaler through the boiler into the filter pan/ carafe.

TIP: If you unscrew the drainage plug under the lid of the cold water container, you will see active foaming. For as long as that continues, there is still scale in the boiler! In that case, simply pour some more cold descaler into the cold water tank to continue descaling until the active foaming stops.

ATTENTION: NEVER turn the machine on with the screw cap on the drainage plug open, as you could burn yourself!

- Depending on the amount of scale in the boiler, the descaling process may take some time. The machine will however descale itself and does not require you to stand over it whilst it happens.
- After descaling, boil at least three carafes of water through the machine to remove all traces of descaling agent.

Protection from frost

- Unplug machine from the mains.
- Unscrew the drainage plug under the lid of cold water container.
- Remove all residual water from the machine by turning it upside down.
- Before using the machine again, replace and tighten drainage plug.

TROUBLE SHOOTING

The following table provides solutions for problems you may encounter as you use your Technivorm Moccamaster. If you do not find a solution to your specific problem, or the problem persists after trouble shooting, please contact your retailer or service point.

PROBLEM	POSSIBLE CAUSE	SOLUTION
Brewer not working; lights not illuminated	Power supply	Check to ensure brewer is plugged into socket
Power light is on, but coffee maker is not working	Mineral buildup in heating element	See descaling instruction in manual.
Thermos is not keeping coffee hot	Defective thermos	Contact authorized service centre for replacement.
	Possible damage to carafe vacuum seal	
Hot plate stays on after brewing is complete	Your brewer has manual power off switch	Manually turn power switch off. Some models have optional "auto-off" where power switch shuts off hot-plate
Coffee tastes weak or bitter	Incorrect amount of coffee used in brewing	To brew to ECBC standard use 60 grams of coffee per litre water.
	Incorrect grind of coffee	Please use standard filter grind coffee.
Brew cycle is taking more than 6 minutes to complete.	Coffee brewer needs to be descaled	See descaling instruction in manual.
Water dripping out very slowly.	The brewer may be clogged with mineral deposits and needs to be descaled	See descaling instruction in manual.

***NOTE:** Clogging and backing up of water and/or coffee in the filter holder can occur under any or a combination of any of the following conditions: the use of too finely ground coffee, using two or more paper filters or allowing coffee grounds to spill over the filter.

How do I order replacements parts?

Contact your local retailer or importer for parts, which may also be ordered online at www.moccamaster.com

WARRANTY.

The warranty is valid for two (2) years from the day of purchase.

You must keep the original receipt as your proof of purchase.

If the product is serviced during the warranty period such service does not extend the warranty period to more than five years from the original day of purchase. The warranty covers defects and faulty components related to material or production.

The warranty is not valid if the product is used commercially.

Exemptions from the warranty are specified below.

In order for the warranty to be valid, you must make your claim within three months after the defect was detected.

WHAT THE WARRANTY DOES NOT COVER:

- Normal wear, scratches and dents and damage caused by dropping, impacts or similar.
- Use of the product for purposes other than making coffee.
- Replaceable parts such as filter holder carafes.
- Damage caused by use of cleaning agents or descaling products not recommended by Moccamaster.
- Shipping handled or commissioned by the customer.

Please follow our maintenance instructions. The warranty does not cover damage caused by incorrect storage, other use than making coffee, connecting to incorrect voltage, damage caused by chemical substances, corrosion, damage caused by water, frost or other abnormal environmental influence.

If an authorized service technician is unable to find defects on the product the warranty will not cover related costs.

If authorized service personnel do not carry out repairs and/or modifications, or unoriginal Moccamaster parts have been used, the warranty on the product will automatically be null and void.

Service and repair.

Contact your local retailer or importer for service and repair.

Importer / Importør / Maahantuoja / Importør / Importör

Denmark: info.dk@moccamaster.com

Finland: info.fi@moccamaster.com

Norge: info.no@moccamaster.com

Sverige: info.se@moccamaster.com

The Netherlands & Germany: info@moccamaster.de

United Kingdom: info@aafirst.co.uk

Belgium and France: info@calita.nl



CATERING BREWERS

MOCCAMASTER

HÅNDLAVET

For the real taste of coffee



ORIGINAL BRUGSVEJLEDNING

www.technivorm.com

TILLYKKE MED KØBET AF VERDENS BEDSTE FILTERKAFFEMASKINE!



Gerard-Clement Smit
Grundlægger af
virksomheden og designer af
produkterne.

Håndlavet i Holland

Technivorm Moccamaster fabrikken er centralt beliggende i hjertet af Holland og betjener kunder over hele verden. Det er opfinderen Gerard-Clement Smits filosofi om at producere holdbare og pålidelige produkter af høj kvalitet, der har styret produktionen af hver eneste kaffemaskine siden 1964. Selv i dag fremstilles hver enkelt kaffemaskine i hånden og kontrolleres individuelt i en virkelig situation ved hjælp af de fineste materialer, der findes

Energieffektivitet og genbrug spiller en vigtig rolle i designet af hver eneste Technivorm Moccamaster kaffemaskine.

HVAD ER VIGTIGT, NÅR MAN VÆLGER EN KAFFEMASKINE?

- Temperatur : 92-96 °C Bryggetemperatur.
- Temperatur : 80-85°C Færdigbrygget kaffe.
- Gennemløbstid (4 to 6 minutter)
- Rengøringsvenlig
- Pålidelighed
- Holdbarhed
- Garanti

GEM DISSE INSTRUKTIONER!

Dit apparaat voldoet aan de volgende EEG richtlijnen:
This appliance is in accordance with the following Directives:
Dieses Gerät wurde in Übereinstimmung gemäß folgende Richtlinien gebaut:
Cet appareil est conforme aux directives:



LVD 2006/95/EC
EMC 2004/108/EC



WEEE 2002/96/EC
RoHS 2011/65/EC



NÅR MAN ANVENDER ELEKTRISK UDSTYR, BØR DE GRUNDLÆGGENDE SIKKERHEDSREGLER ALTID FØLGES, INKLUSIVE FØLGENDE:

- LÆS ALLE INSTRUKTIONERNE.
- Pak kaffemaskinen forsigtigt ud, og fjern al emballage. Hold emballagen (plastikposer og pap) uden for børns rækkevidde.
- Apparatet er beregnet til anvendelse i husholdninger og lignende steder, såsom:
 - I personalekøkkenområder i butikker, kontorer og andre arbejdsmiljøer.
 - Af gæster på hoteller, moteller og i andre beboelsesområder.
 - I bed & breakfast miljøer.
- Anvend kun apparatet indendørs.
- Dette apparat kan anvendes af børn på 8 år og derover, hvis de er under opsyn eller er blevet instrueret i brugen af apparatet på sikker vis, og hvis de forstår de farer, der er forbundet hermed.
- Rengøring og brugervedligeholdelse bør ikke udføres af børn, med mindre de er over 8 år og under opsyn. Hold apparatet og dets ledning væk fra børn, der er under 8 år.
- Apparatet kan anvendes af personer med nedsat fysisk motorik, hvis de er under opsyn eller har fået instruktion i brugen af apparatet på en sikker måde.
- Kontroller, at apparatets spænding svarer til netspændingen i dit elnet. Apparatet skal tilsluttes en stikkontakt med jordforbindelse.
- Træk stikket ud af stikkontakten, når apparatet ikke anvendes og før apparatets overflade rengøres.
- Lad apparatet køle af, før dele monteres eller afmonteres, og før rengøring af apparatets overflade.
- Apparatet, ledningen og stikket må aldrig nedsænkes helt eller delvist i vand eller anden væske.
- Anvend ikke apparatet, hvis ledning eller stik er beskadiget, eller hvis apparatet ikke fungerer eller er beskadiget på nogen måde. Kontakt din leverandør eller importør.
- Hvis ledningen er beskadiget, skal den udskiftes med en speciel ledning, der kan fås hos producenten eller importøren. Forsøg aldrig at reparere apparatet selv. Reparation skal udføres af uddannede teknikere. Returner apparatet til nærmeste servicecenter til eftersyn, reparation eller justering.
- Placer apparatet på en plan overflade i et frostfrit rum.
- Placer ikke apparatet på en varm overflade nær gas- eller el-komfurer eller i en ovn.
- Træk ikke ledningen hen over varme overflader, og lad den ikke hænge ned over kanten af et bord eller en disk, hvorfra børn kan nå at trække i den.

- Anvend ikke apparatet til noget andet formål end dets tilsigtede anvendelse.
- Rør ikke apparatets varme dele, såsom udløbsrør eller varmeplade.

LÆS INSTRUKTIONERNE OMHYGGELIGT FØR BRUG

- Fjern ikke filterholderen eller kanden under brygningen.
- Hæld ikke andre væsker end vand eller anbefalede rengøringsprodukter i vandbeholderen.
- Placer altid lågene i korrekt position som vist på billedet. Skoldning kan opstå, hvis disse dele fjernes under brygningen.
- Anvend aldrig apparatet uden udløbsrøret.

Glaskande

- Glaskanden er designet til anvendelse med apparatet.
- Sæt ikke en varm kande på en kold overflade. Sæt aldrig glaskanden over åben ild eller på en varm kogeplade eller anden varmekilde.
- Anvend ikke en glaskande, der er revnet eller en kande, hvor håndtaget er løst.
- Rengør ikke kanden med slibende rengøringsmidler, ståluld eller lignende materialer.

MÅ IKKE SÆTTES I OPVASKEMASKINE.

Termokande

- Anvend ikke termokanden til opbevaring af mejeriprodukter eller babymad, da dette vil stivne, hvis det opbevares i længere tid.
- Anvend ikke kanden til kulsyreholdige drikke.
- Transporter ikke termokanden vandret eller på hovedet, da dette kan føre til lækage. Anvend det særlige transportlåg.
- Drik ikke direkte af termokanden. Væsken i kanden kan være meget varm.
- Placer aldrig termokanden på en varm kogeplade, gasbrænder eller anden varmekilde.
- Placer aldrig termokanden i en ovn eller en mikroovn.
- Rengør ikke termokanden med slibende rengøringsmidler, ståluld eller lignende materialer.

MÅ IKKE SÆTTES I OPVASKEMASKINE.

GEM DISSE INSTRUKTIONER

FØR ANVENDELSE

Før du anvender din nye kaffemaskine første gang, eller hvis maskinen ikke har været anvendt i et stykke tid, anbefaler vi, at du først skyller vandbeholderen. Fyld kaffemaskinen med koldt vand og lad den køre to gange uden kaffe.

STRØMLEDNING

Strømledningen er kort for at nedsætte risikoen for, at man bliver viklet ind i eller snubler over en længere ledning. Hvis der anvendes en forlængerledning, skal de elektriske mærkedata for ledningen være mindst lige så høje som dataene for kaffemaskinen. Forlængerledningen skal være en type 3 med jordforbindelse. Forlængerledningen skal anbringes således, at den ikke hænger ud over kanten af bordet eller disken, hvor børn vil kunne trække i den eller falde i den.

VIGTIGT:

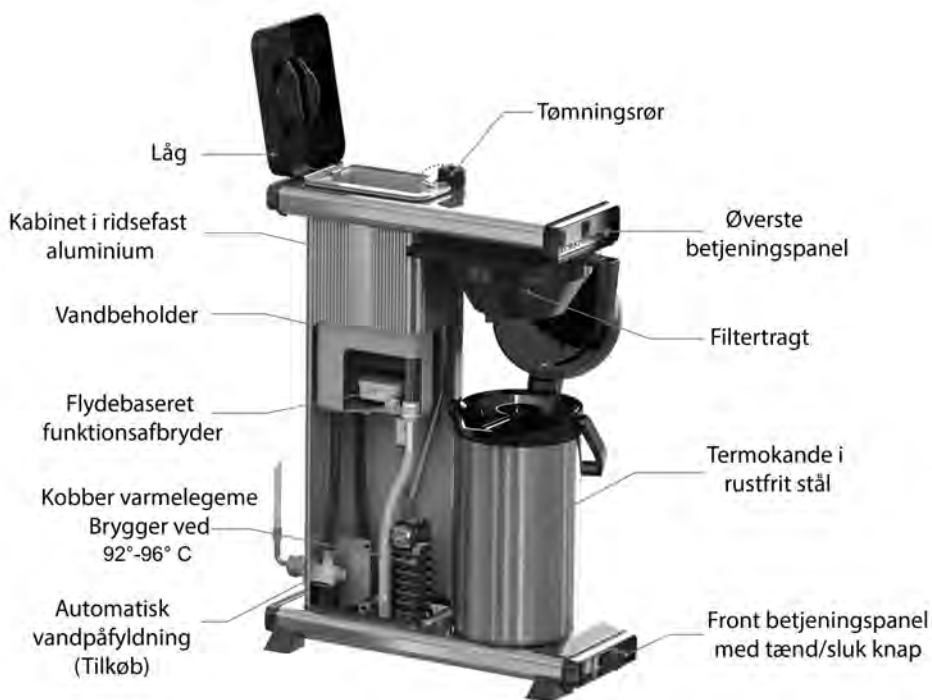
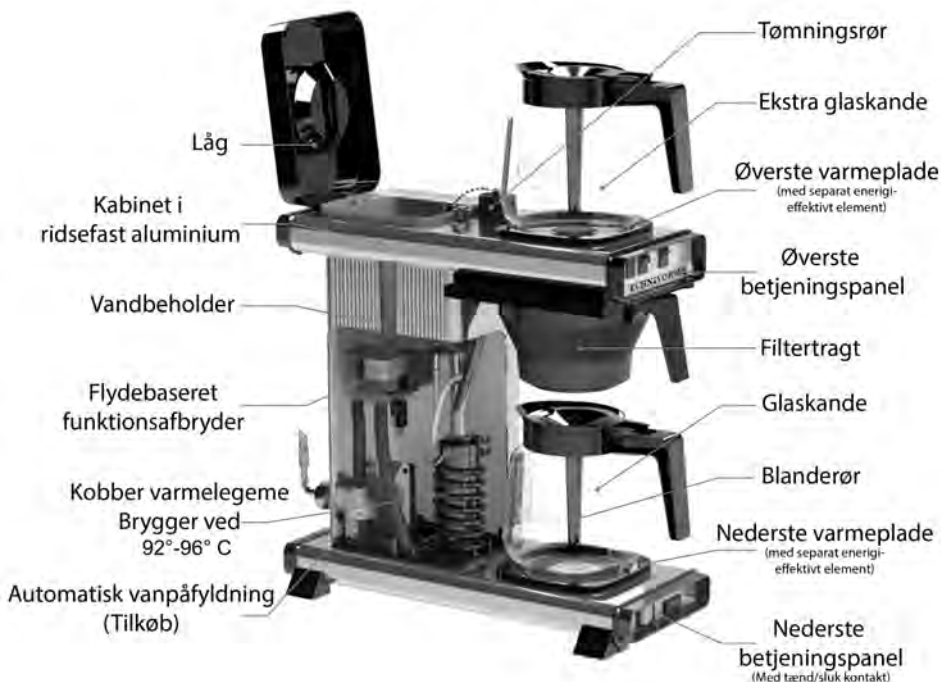
Denne kaffemaskine er udstyret med en speciel stikprop, der i tilfælde af beskadigelse skal udskiftes med en tilsvarende. Disse kan fås i dit Moccamaster servicecenter.

MILJØMÆSSIGE ANBEFALINGER

- Vær venlig at kassere filter og kaffegrums i en affaldscontainer til organisk affald. Er dette ikke muligt, kan du bortskaffe filter og kaffegrums som almindeligt husholdningsaffald.
- Vær venlig at genbruge ansvarligt af hensyn til miljøet. Bortskaf ikke apparatet sammen med almindeligt husholdningsaffald, men aflever det til en godkendt genbrugsplads for genanvendelse. Herved hjælper du med at bevare miljøet.

MOCCAMASTER

DELE



NOTE: De viste modeller er Moccaserver Autofill og Termoking3000 Autofill. Funktionerne på din maskine kan være anderledes.

www.technivorm.com

MODELLER

TERMOKANDER



MODEL: THERMOKING
KAPACITET: 1.8L
144 kopper pr. time
VALGMULIGHED: Autofill



MODEL: THERMOKING 3000
KAPACITET: 3.0L
160 kopper pr. time
VALGMULIGHED: Autofill



MODEL: THERMOSERVE
KAPACITET: 1.8L
144 kopper pr. time
VALGMULIGHED: Autofill

GLAS KANDER



MODEL: MOCCASERVER
KAPACITET: 1.8L pr. kande
144 kopper pr time
VALGMULIGHED: Autofill



MODEL: MOCCAFOUR
KAPACITET: 1.8L pr. kande
288 kopper pr. time (3N)
175 kopper pr. time (single
phase) Autofill
VALGMULIGHED: 3N or single phase version

VIGTIGT: På modeller med automatisk vandpåfyldning anbefaler vi, at man installerer et blødgøringsfilter mellem maskinen og vandtilslutningen

Låsning af bundplade (kun termobryggere)

- Vip kaffemaskinen en smule baglæns.
- Fastgør bundpladens lodrette kant i åbningen, og sænk derefter kaffemaskinen ned igen. Bundpladen er nu låst på plads.
- Placer termokanden på bundpladen, så den presser på den hvide knap på indersiden.



BRUGSVEJLEDNING

1. Fyld vandbeholderen med friskt koldt vand og bryg en hel kande for at få vand igennem rørene. Dette vil rense rør etc. for støv og evt. urenheder. Tøm kanden for vand
2. Placer et filter i filtertragten. Fyld den ønskede mængde formalet kaffe i filtertragten og skub filteret på plads i maskinen
3. Fyld vandtanken med friskt koldt vand. Placer en tom kande under filtertragten og tænd for maskinen
4. Et grønt lys vil tænde for at indikere, at maskinen brygger. Indikatoren vil slukke igen, når maskinen er færdig med at brygge (gælder ikke for Moccaserver E og Termoking)
5. Maskinens tænd/sluk kontakt kontrollerer også varmepladen på maskinen, så lad tænd/sluk kontakten være tændt for at holde kaffen varm på varmepladen. Top varmepladen har sin egen tænd/sluk kontakt. Den er placeret enten direkte under top varmepladen eller over maskinens anden tænd/sluk kontakt på bundpladen af maskinen (Moccaserver E).
6. Vær sikker på, at alle varmeplader er slukket, når glaskanderne er tomme. Overophedning af tomme glaskander vil svække glasset.
7. Fjern altid brugt kaffefilter fra filterholderen efter endt brygning. Brug ALDRIG varmepladerne til at genopvarme kaffen eller andre væsker.

Grundlæggende rengøring

- Før rengøring tages stikket ud af stikkontakten!
- Rengør maskinen regelmæssigt på ydersiden med en fugtig klud og tør efter. Efter hver anvendelse vaskes kanden, termokanden samt filterholder i hånden med et mildt opvaskemiddel. Glaskande eller termokande må ikke sættes i opvaskemaskine. Kaffepletter i termokander kan fjernes ved hjælp af "Coffee server cleaning tablet", der kan købes hos forhandlere af Moccamaster og i vores webbutik på www.moccamaster.com.
- Maskinen må ikke nedsænkes i væske

Rengøring af apparatet (indvendig)

- Kaffemaskinen skal rengøres regelmæssigt. Hvis den anvendes dagligt, skal den rengøres hver anden uge.
- Anvend kun "Clean Drop cleaning aid", der kan købes hos forhandlere af Moccamaster og i vores webbutik på www.moccamaster.com. Følg de angivne instruktioner på "Clean Drop cleaning aid" pakken/posen.

Afkalkning af apparatet

- Din kaffemaskine skal afkalkes regelmæssigt for at bevare optimal ydeevne.
- Hvis der ophobes kalk i varmelegemet på din Technivorm Moccamaster, kan det stoppe vandstrømmen og påvirke bryggetemperaturen og trækketiden.
- Hvis den ikke afkalkes regelmæssigt, kan kaffemaskinen ophøre med at fungere
- Technivorm Moccamaster anbefaler afkalkning af din kaffemaskine for hver 40 brygninger.
- Anvend kun de afkalkningsmidler, der kan fås hos din forhandler af Moccamaster og i vores webbutik på www.moccamaster.com. (Moccamaster Afkalker & Rengøring eller alternativt ½ ltr. vand + ½ ltr. eddikesyre)

VIGTIGT: TÆND ALDRIG maskinen mens låget til tømningrøret er afmonteret. Kan resultere i skoldning

Anti-Frost Beskyttelse og retningslinjer for langtidsopbevaring.

- Sluk for kaffemaskinen, og tag stikket ud af stikkontakten.
- Fjern flerhulsudløbsrøret.
- Tøm det resterende vand i maskinen ud ved at skrue hættten af drænrøret og holde den på hovedet over vasken.
- Sæt flerhulsudløbsrøret på plads igen.

PROBLEMLØSNING

Følgende skema giver løsning på de problemer, du kan støde på, når du anvender Technivorm Moccamaster. Hvis du ikke kan finde en løsning på dit konkrete problem, eller problemet fortsætter, bedes du kontakte din forhandler eller dit servicecenter.

PROBLEM	MULIG ÅRSAG	LØSNING
Kaffemaskinen fungerer ikke; lyset er ikke tændt	Strømforsyning	Kontroller, at kaffemaskinens stik er sat i kontakten.
Lyset er tændt, men kaffemaskinen fungerer ikke	Der er kalk på varmelegemet	Se instruktioner om afkalkning i manualen.
Termokanden holder ikke kaffen varm	Defekt termokande	Kontakt autoriseret værksted for udskiftning af termokanden
	Mulig defekt på termokandens vakum	
Varmepladen forbliver tændt efter endt brygning	Din maskine har en manuel tænd/sluk kontakt	Sluk maskinen manuelt. Nogle modeller har en Auto-off funktion der automatisk slukker maskinen
Kaffesmagen er svag eller bitter	Ukorrekt dosering af kaffe	For at brygge efter ECBC standard brug 60 gram kaffe pr. liter vand
	Ukorrekt formalingsgrad af kaffen	Brug kaffe formalet til standarden filterkaffe.
Brygningen tager mere end 6 min.	Kaffemaskinen trænger til afkalkning	Se instruktioner om afkalkning i manualen.
Vandet drypper meget langsomt ud	Kaffemaskinen kan være stoppet med kalk og trænger til afkalkning	Se instruktioner om afkalkning i manualen.

***BEMÆRK:** Tilstopning og ophobning af vand og/eller kaffe i filterholderen kan opstå på grund af en eller flere af følgende forhold: Anvendelse af for fint malet kaffe, brug af to eller flere kaffefiltre, ved brug af guld-filter sammen med papirfilter, ved brug af ikke korrekte rengøringsmidler og kaffegrums fra guld-filteret, eller hvis der er spildt kaffegrums i filteret.

Hvordan bestiller jeg tilbehør?

Kontakt din lokale forhandler eller en importør af tilbehør, som også kan bestilles online på www.moccamaster.com

Garanti

Garantien er gyldig i to (2) år fra købsdatoen.

Du skal gemme den originale kvittering som bevis for købet. Hvis produktet repareres under garantiperioden, forlænger en sådan service ikke garantiperioden ud over de 5 år fra købsdatoen.

Garantien dækker fejl og defekte komponenter, der relaterer til produktionen. Garantien er ikke gyldig, hvis produktet anvendes erhvervsmæssigt. Undtagelser fra garantien er specificeret nedenfor.

For at garantien skal være gyldig, skal du gøre dit krav gældende inden for tre måneder, efter at fejlen opstod.

Garantien dækker ikke:

- Normal slitage, ridser, hakker og beskadigelser som følge af tab, slag eller lignende.
- Anvendelse af produktet til andet end kaffebrygning.
- Udskifteligt tilbehør såsom udløbsrør, filterholder, kander og låg. (2 års garanti)
- Beskadigelse forårsaget af brug af rengøringsmidler eller afkalkningsmidler, der ikke anbefales af Moccamaster.
- Fragt håndteret eller bestilt af kunden.

Vær venlig at følge vores vedligeholdelsesvejledning. Garantien dækker ikke beskadigelse som følge af ukorrekt opbevaring, anden anvendelse end kaffebrygning, tilslutning til ukorrekt spænding, beskadigelse forårsaget af kemiske væsker, korrosion, beskadigelse forårsaget af vand, frost eller andre unormale miljøforhold

Hvis en autoriseret servicetekniker ikke kan finde fejl på produktet, vil garantien ikke dække dertilhørende omkostninger.

Hvis det ikke er en autoriseret servicemedarbejder, der udfører reparation og/eller ændringer, eller der anvendes uoriginale Moccamaster dele, vil garantien på produktet automatisk bortfalde.

Service og reparation

Kontakt din lokale forhandler eller importøren vedrørende service og reparation.

Importør:

Danmark: E-mail til info.dk@moccamaster.com

Finland: E-mail til info.fi@moccamaster.com

Norge: E-mail til info.no@moccamaster.com

Sverige: E-mail til info.se@moccamaster.com