

Modem Cables

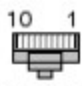
EIA-232 Modem Cables RJ-45 10-pin to DB-9

The wiring diagram for an RJ-45 10-pin to DB-9 modem cable is shown in Table 1.

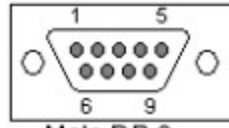
Table 1: EIA-232 RJ-45 10-pin to DB-9 modem cable

From RJ-45	Signal	Direction	Signal	To DB-9
10	DCD	←	DCD	1
6	RxD	←	RxD	2
5	TxD	→	TxD	3
9	DTR	→	DTR	4
7	SG	↔	SG	5
2	DSR	←	DSR	6
3	RTS	→	RTS	7
8	CTS	←	CTS	8
1	RI	←	RI	9
4	GND	↔	GND	Shell


FRONT:



RJ-45 10-Pin



Male DB-9



Connectors not to scale

* Arrows indicate which direction the signal is flowing

These cables can also be purchased from Digi (See part numbers below).

- 2' RJ-45 10-pin to DB-9 Pin - Part #76000239
- 4' RJ-45 10-pin to DB-9 Pin - Part #76000240

NOTES:

- Altpin should be turned off when using this cable.
- This cable utilizes the CTS signal of the modem for hardware flow control (RTS/CTS).