

POYNTING

BEYOND A CONNECTED LIFE

XPOL-24



User Guide

Revision 2.0

Index

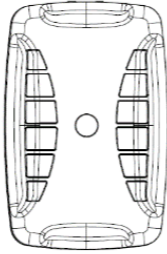
1.	Packing Check List	4
2.	Introduction	7
3.	Antenna Mounting Precautions	9
4.	Cable Routing	9
5.	Safety	10

1. Packing Check List

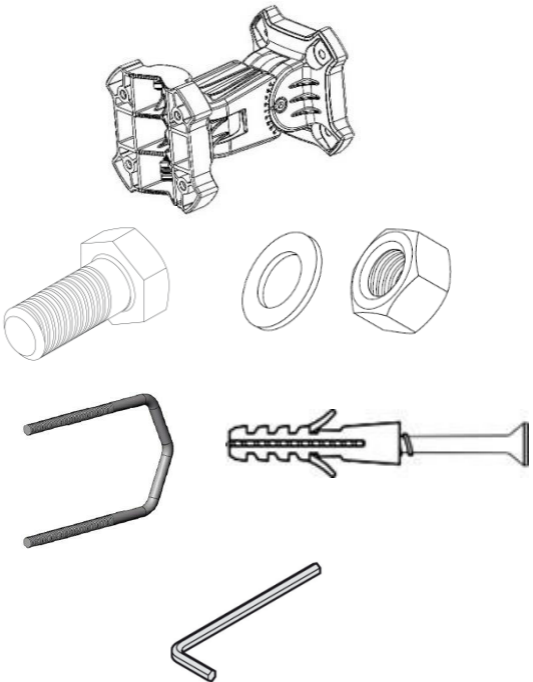
Item	Description	Quantity
1.	A-XPOL-0024 Antenna Only	1
2.	Bracket (BRKT-062)	1
3.	M6 Stainless Steel Nuts	4
4.	M6 x 12mm Stainless Steel Bolts	4
5.	M6 Stainless Steel Washers	4
6.	Wall Knock-in Screws	4
7.	M6 x 60mm Stainless Bolt	2
8.	Allen Key	1

Appearance of components

Antenna Unit



BRKT-062 Kit

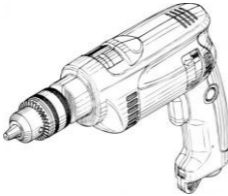


Tools Required

6mm Drill Bit



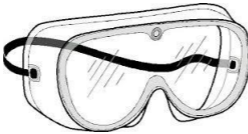
Impact Drilling Machine



Hammer



Safety Goggles



10mm Spanner/Wrench



2. Introduction

This User Guide provides information on the installation instructions of the cross-polarised antenna (A-XPOL-0024).

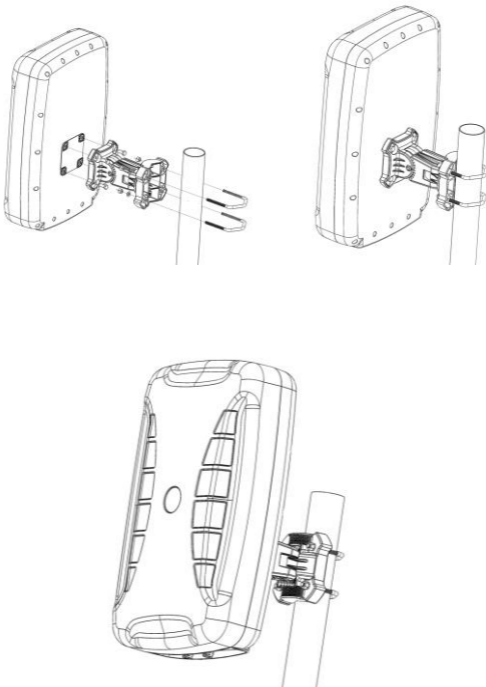
Note:

Ensure that all RF connections made outdoors are adequately waterproofed. Waterproof connector boots are recommended.

Antenna Configuration 1

Pole mount with bracket (BRKT-062) and supplied U-Bolts.

Exploded View

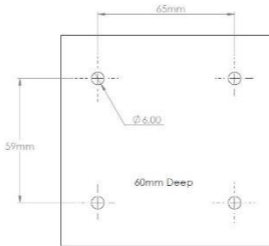


Antenna Configuration 2

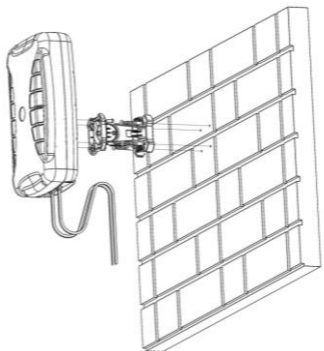
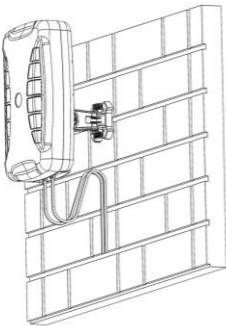
Wall mount with bracket (BRKT-062) and supplied wall knock-in screws.

Note:

Use a 6mm masonry drill bit to drill four holes into the wall. See the dimensions below.



Exploded View



3. Antenna Mounting Precautions

- Place the antenna at the highest point possible and ensure that there are not any surrounding obstructions to the antenna.
- In order to avoid communication interference, ensure that the antenna is placed at least 0.5m away from other antennas and metal objects.
- Avoid installing the antenna near a chimney, as the smoke and soot emitted by the chimney can obstruct the signal level achieved by the antenna.
- Install the antenna away from heat sources and flammable gases.

4. Cable Routing

- Survey the planned cable route and look for any blocked passages. Consider alternate routes to find the best available path. Always keep the cables as short as possible to make sure that minimum cable losses are achieved.
- Note: Take advantage of any existing cable channels. e.g., wiring conduits to route the cables.
- Avoid running cables through components or sharp apertures that may cause excessive chafing. Doing so may erode the jacket and break signal continuity. Also, avoid kinking, pinching, or twisting a cable during a run.
- Use cable ties to secure the antenna cables.
When handling the antenna cables, it is essential you follow these basic rules:

- Never pull on the cable connectors; pull only on the cable.
- Cover connectors with insulation tape before threading them through a hole.
- Tighten the connectors and ensure that the cables don't rattle loose.

5. Safety

- If you are installing an antenna for the first time or unsure about how to install your antenna, obtain the help of a professional installer.
- Carefully survey the installation site before installation to locate secure handholds, dangerous conditions (such as powerlines and weak roofs) and the safest and most convenient placement for ladders if necessary.
- The antenna may not be used as a climbing or pulling device.
- Considerations must be taken when mounting the antenna that people do not hang or pull on it.
- When installing your antenna, remember:
 1. Do not install on a wet or windy day or when there is lightning or thunder in the area.
 2. Wear shoes with rubber soles and heels, protective clothing (long sleeve shirt or jacket) and rubber gloves.
 3. Avoid installation while under the influence of drugs, alcohol or medication.
 4. Make sure that any loose-fitting jewelry or clothing is secured and tie back long hair as they can get caught in moving parts during installation.

5. If the antenna assembly starts to fall, get away from it and let it fall to avoid harming yourself.
- When drilling remember:
 1. Use safety goggles when drilling the holes.
 2. Avoid using bits that are dull, bent or damaged.
 3. Be aware of where your fingers are in relation to the drill bit when using the drilling machine.
 4. To stop the drilling machine, let the drill chuck come to a complete stop on its own. Do not grasp the chuck in an attempt to stop the drill bit.
 5. Avoid awkward hand positions where a sudden slip could cause a hand to move into the drill bit or cutting tool.

CAUTION:

Antennas must be installed to provide a separation distance of at least 20cm from all persons so as to comply with SAR (Specific Absorption Rate) RF Exposure requirements.



European Waste Electronic Equipment Directive
2002/96/EC

Please ensure that old waste, electricals
and electronics are recycled.



Directive 2011/65/EU (RoHS 3)

This product is fully compliant with the RoHS 3
directive.

South Africa

Unit 4, N1 Industrial Park
Landmarks Ave
Samrand, 0157
South Africa
Tel: +27 12 657 0050
info@poynting.tech

USA

1804 Owen Court,
Suite 104, Mansfield,
TX 76063
Tel: +1 817 533-8130
sales-us@poynting.tech

Europe

Kronstadler Straße 4,
81677 München
Germany
Tel: +49 89 2080 265 38
Mob.: +49 176 529 733 50
sales-europe@poynting.tech