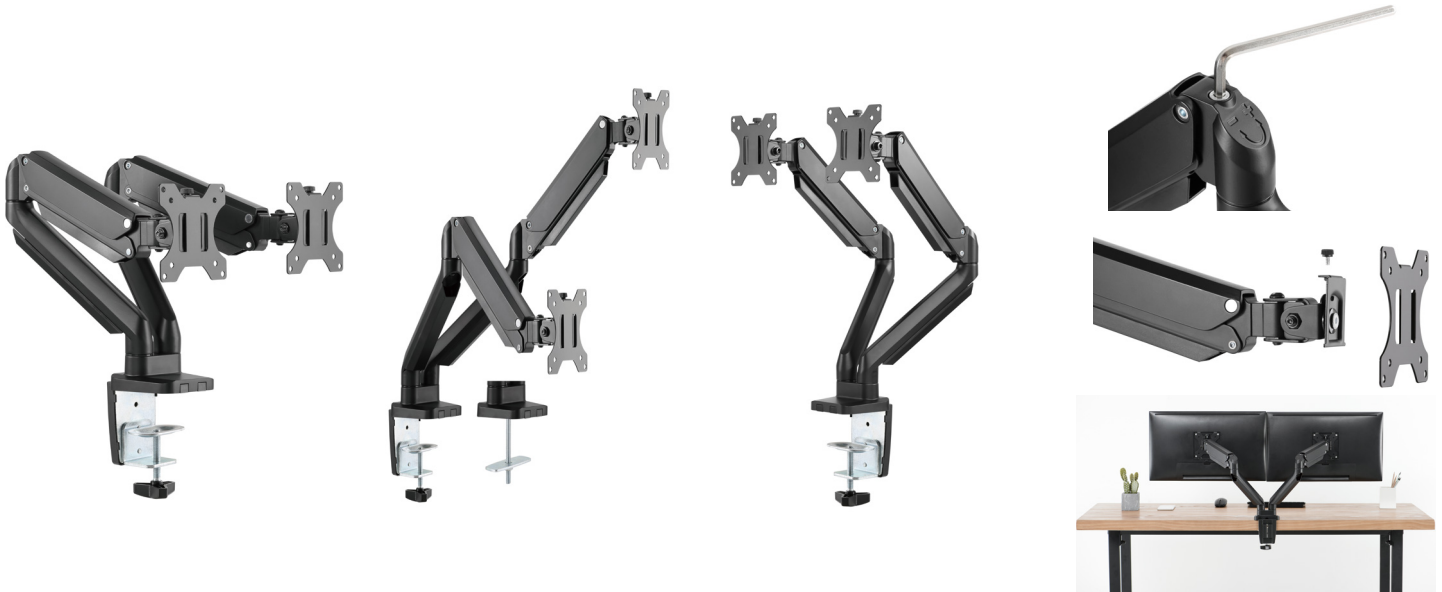


17"-32" display Gas spring dual monitor arm

DELTA
A NORDIC BRAND
OFFICE



PRODUCT DATA

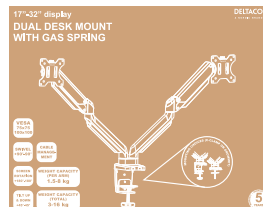
Compatible displays:	17"-32"
Screen Quantity:	2
Weight Capacity (per screen):	1.5~8 kg
VESA:	75x75,100x100
Product Category:	Gas Spring Monitor Arm
Tilt Range:	+45°~-45°
Swivel Range:	+90°~-90°
Screen Rotation:	+180°~-180°
Material:	Aluminum,Plastic,Steel
Surface Finish:	Powder Coating
Color:	Matte Black
Dimensions:	944x125x590mm (37.2"x4.9"x23.2")
Arm Full Extension:	445mm (17.5")
Suggested Desktop Thickness:	Clamp:10~85mm Grommet:10~85mm (Clamp:0.39"~3.3" Grommet:0.39"~3.3")
Installation:	Grommet, Clamp
Fit Curved Monitor:	Yes
Cable Management:	Yes
Quick Release VESA Plate:	Yes
Accessory Kit Package:	Normal/Ziplock, Polybag, Compartment Polybag

LOGISTICS DATA

Article number:	ARM-0351
Brand:	DELTA
EAN Code:	7333048042781
Country of origin:	China
Custom tariff number:	83024900
Master carton packing unit:	4
Master carton gross weight:	20.42 kg
Master carton dimensions:	63 x 42 x 28 cm
Package type:	Box
Package weight:	5.03 kg
Package dimensions:	40.5 x 30.5 x 13.1 cm

PACKAGING

Package contents:	Desk mount, mounting kit and manual
-------------------	-------------------------------------



-Image may differ from the actual package

Drawing

