



**GP-300 GP-200 GP-5300 GP-5200**  
**Online Manual**

# Contents

Using This Online Manual. . . . .	18
Trademarks and Licenses. . . . .	19
<b>Basic Operation. . . . .</b>	<b>38</b>
<b>Printer Parts. . . . .</b>	<b>39</b>
Printer Parts. . . . .	40
Front. . . . .	41
Side. . . . .	43
Top Cover (Inside). . . . .	44
Roll Paper Cover (Inside). . . . .	45
Carriage. . . . .	46
Ink Tank Cover (Inside). . . . .	47
Operation Panel. . . . .	48
Optional accessories. . . . .	50
Stand. . . . .	51
Roll Holder Set. . . . .	53
<b>Printing procedure. . . . .</b>	<b>54</b>
Turning the Printer On and Off. . . . .	55
Loading and Printing on Rolls. . . . .	57
Loading and Printing on Sheets. . . . .	60
Printing in Windows. . . . .	62
Printing from macOS. . . . .	64
<b>Canceling print jobs. . . . .</b>	<b>65</b>
Canceling Print Jobs from the Control Panel. . . . .	66
Canceling Print Jobs from Windows. . . . .	67
Canceling Print Jobs from macOS. . . . .	69
<b>Pausing Printing. . . . .</b>	<b>70</b>
Pausing Printing. . . . .	71
<b>Handling and Use of Paper. . . . .</b>	<b>72</b>
<b>Paper. . . . .</b>	<b>74</b>
Types of Paper. . . . .	75
Paper Sizes. . . . .	76

Using Paper Other Than Genuine Paper and feed confirmed Paper. . . . .	78
Printing on Paper Other Than Genuine Paper and feed confirmed Paper Using Existing Settings. . . . .	79
Printing on Paper Other Than Genuine Paper and feed confirmed Paper by Adding a Media Type. . . . .	80
Updating paper information. . . . .	81
<b>Handling rolls. . . . .</b>	<b>82</b>
Loading Rolls on the Roll Holder. . . . .	83
Loading Rolls in the Printer. . . . .	87
Changing the Type of Paper. . . . .	92
Specifying the Paper Length. . . . .	95
Removing the Roll from the Printer. . . . .	96
Removing Rolls From the Roll Holder. . . . .	99
Feeding Roll Paper Manually. . . . .	101
Keeping Track of the Amount of Roll Paper Left. . . . .	102
Specifying the Amount of Extension for Borderless Printing. . . . .	105
Specifying the Ink Drying Time. . . . .	107
Specifying the Cutting Method for Rolls. . . . .	109
Cutting the Leading Edge of Roll Paper Automatically. . . . .	114
Reducing Dust from Cutting Rolls. . . . .	116
Detecting Roll Paper was Replaced While the Power was Off. . . . .	118
<b>Handling sheets. . . . .</b>	<b>119</b>
Loading Sheets in the Printer. . . . .	120
Printing From a Desired Starting Point. . . . .	123
Removing Sheets. . . . .	126
<b>Basket. . . . .</b>	<b>128</b>
Using the Basket. . . . .	129
<b>Changing Printer's Setting. . . . .</b>	<b>131</b>
<b>Changing Settings from Operation Panel. . . . .</b>	<b>132</b>
Home Screen Menu Composition. . . . .	133
Menu Structure. . . . .	137
Advanced (Paper settings). . . . .	156
Advanced (LAN settings). . . . .	158
Setting Items on Operation Panel. . . . .	161

Maintenance. . . . .	163
Job management. . . . .	165
LAN settings. . . . .	166
Test print. . . . .	174
Print settings. . . . .	175
Paper-related settings. . . . .	177
Auto maintenance settings. . . . .	179
Hard disk settings. . . . .	180
Monitoring service settings. . . . .	182
Other printer settings. . . . .	183
Language selection. . . . .	185
Firmware update. . . . .	186
Security settings. . . . .	187
Printer information. . . . .	188
Setting Administrator Password on Operation Panel. . . . .	189
Erasing Data on Printer's Hard Disk. . . . .	191
Status Print. . . . .	193
<b>Changing Printer's Setting Using Web Browser. . . . .</b>	<b>195</b>
Start up Remote UI. . . . .	196
Changeable Setting Items Using Remote UI. . . . .	199
Security. . . . .	201
LAN settings. . . . .	202
Setting Passwords using Remote UI. . . . .	204
Registering Printer's Root Certificate to Web Browser for SSL Communication. . . . .	206
Registering Printer's Root Certificate to Local Computer for SSL Communication. . . . .	210
Generating Server Certificate. . . . .	216
Setting Mail Server. . . . .	219
Receiving Printer Status by E-mail. . . . .	221
<b>Migrating Printer's Setting. . . . .</b>	<b>223</b>
<b>Initializing Printer's Setting. . . . .</b>	<b>225</b>
<b>Network Setting. . . . .</b>	<b>226</b>
<b>Network Connection Tips. . . . .</b>	<b>227</b>
Printer Connection Methods. . . . .	228
Connecting Smartphone/Tablet to Printer via Wireless Router. . . . .	232
Connecting Smartphone/Tablet to Printer Directly (Wireless Direct). . . . .	235

Default Network Settings. . . . .	239
Another Printer Found with Same Name. . . . .	241
Connecting to Another Computer via LAN/Changing from USB to LAN Connection. . . . .	242
Printing Network Settings. . . . .	243
Reconfiguration Method of LAN Connection/Reconfiguration Method of Wi-Fi Connection. . . . .	259
Countermeasures against Unauthorized Access. . . . .	261
Network Status and Troubleshooting. . . . .	263
<b>Sharing the Printer on a Network (macOS). . . . .</b>	<b>265</b>
Settings on Print Server. . . . .	266
Settings on Client PC. . . . .	267
Restrictions on Printer Sharing. . . . .	268
<b>Adjustments for Better Print Quality. . . . .</b>	<b>269</b>
<b>Adjusting the Print Head. . . . .</b>	<b>270</b>
Adjusting the Print Head. . . . .	271
Adjusting Line Misalignment. . . . .	272
Automatic Adjustment to Straighten Lines and Colors. . . . .	276
Manual Adjustment to Straighten Lines and Colors. . . . .	278
Troubleshooting Paper Abrasion and Blurry Images. . . . .	280
<b>Adjusting Feed Amount. . . . .</b>	<b>282</b>
Adjusting Feed Amount. . . . .	283
Selecting Feed Amount Adjustment Method. . . . .	284
Automatic Banding Adjustment. . . . .	285
Manual Banding Adjustment. . . . .	287
Fine-Tuning Paper Feed Amount. . . . .	289
Adjusting Line Length. . . . .	290
Adjusting Vacuum Strength. . . . .	292
<b>Maintenance and Consumables. . . . .</b>	<b>293</b>
<b>Ink Tanks. . . . .</b>	<b>295</b>
Ink Tanks. . . . .	296
Replacing Ink Tanks. . . . .	299
Checking Ink Tank Levels. . . . .	305
When to Replace Ink Tanks. . . . .	307
<b>Print Head. . . . .</b>	<b>308</b>

Print Head. . . . .	309
Checking for Nozzle Clogging. . . . .	310
Cleaning the Print Head. . . . .	312
Replacing the Print Head. . . . .	314
<b>Maintenance Cartridge. . . . .</b>	<b>322</b>
Maintenance Cartridge. . . . .	323
Replacing the Maintenance Cartridge. . . . .	324
Checking the Remaining Maintenance Cartridge Capacity. . . . .	328
When to Replace the Maintenance Cartridge. . . . .	329
<b>Cutter Blade. . . . .</b>	<b>330</b>
Cutter Blade. . . . .	331
Replacing the Cutter Blade. . . . .	332
<b>Performing Maintenance Functions from Your Computer (macOS). . . . .</b>	<b>335</b>
Opening Remote UI for Maintenance. . . . .	336
Cleaning the Print Heads. . . . .	337
Printing a Nozzle Check Pattern. . . . .	340
<b>Cleaning the Printer. . . . .</b>	<b>341</b>
Cleaning the Printer Exterior. . . . .	342
Cleaning Inside the Top Cover. . . . .	343
<b>Other Maintenance. . . . .</b>	<b>347</b>
Preparing to Transfer the Printer. . . . .	348
Reinstalling the Printer. . . . .	351
Firmware update. . . . .	356
<b>Specifications. . . . .</b>	<b>357</b>
Specifications. . . . .	358
Print Area. . . . .	363
<b>Appendix. . . . .</b>	<b>365</b>
Manuals and Their Contents. . . . .	366
<b>Safety. . . . .</b>	<b>367</b>
Safety Precautions. . . . .	368
Regulatory Information. . . . .	370
WEEE (EU&EEA). . . . .	372
When Repairing, Lending, or Disposing of the Printer. . . . .	385

Online Manual. . . . .	386
Enhanced Printing Options. . . . .	387
Printing from Computer (macOS). . . . .	391
Printing with Easy Setup. . . . .	392
Setting the Number of Copies and Printing Order. . . . .	398
Changing the Print Quality and Correcting Image Data. . . . .	400
Adjusting Color Balance. . . . .	401
Setting the Print Quality Level (Custom). . . . .	403
Printing a Color Document in Monochrome. . . . .	405
Specifying Color Correction. . . . .	406
Optimal Photo Printing of Image Data. . . . .	408
Adjusting Colors with the Printer Driver. . . . .	409
Printing with ICC Profiles (Specifying an ICC Profile from the Application Software). . . . .	411
Printing with ICC Profiles (Specifying an ICC Profile from the Printer Driver). . . . .	413
Adjusting Brightness. . . . .	414
Adjusting Contrast. . . . .	416
Scaled Printing. . . . .	418
Printing to Oversized Paper Sizes. . . . .	421
Setting Paper Dimensions (Custom Size). . . . .	423
Set a Custom Size Roll Width. . . . .	425
Print Area. . . . .	428
Printing without Edges Based on the Scenarios. . . . .	430
Printing without Margins to Match Roll Paper Width. . . . .	431
Printing Full-Size without Margins. . . . .	433
Three-sided Borderless Printing on Roll Paper. . . . .	435
Printing Hanging and Horizontal Banners (Large-Format Printing). . . . .	440
Printing by Dividing/Joining Documents. . . . .	442
Lining Up and Printing Multiple Documents. . . . .	443
Printing by Connecting Multiple Pages. . . . .	444
Printing Multiple Pages All on One Page. . . . .	445
Printing Document in Center of Paper. . . . .	447
Printing by Saving Roll Paper. . . . .	449
Saving Roll Paper by Rotating Document 90 Degrees. . . . .	450
Saving Roll Paper by Eliminating Upper and Lower Margins on Document. . . . .	451
Switching the Paper Source to Match the Purpose. . . . .	452

Cutting Roll Paper after Printing. . . . .	454
Specify Fluorescent Colors and Print. . . . .	455
Printing Using AirPrint. . . . .	457
<b>Printing from Printer. . . . .</b>	<b>460</b>
Printing Data Saved on USB Flash Drive. . . . .	461
<b>Printing from Smartphone/Tablet. . . . .</b>	<b>464</b>
Printing from iOS Device (AirPrint). . . . .	465
<b>Enlarging Copy with imageRUNNER ADVANCE. . . . .</b>	<b>469</b>
Fitting to Paper Width. . . . .	475
Specifying Magnification Level. . . . .	476
<b>Printing with Fluorescent Ink. . . . .</b>	<b>480</b>
<b>Printer Driver. . . . .</b>	<b>482</b>
<b>macOS Printer Driver. . . . .</b>	<b>483</b>
Overview of the Printer Driver. . . . .	484
Canon IJ Printer Driver. . . . .	485
Checking Layout in Preview before Printing. . . . .	486
Registering a Changed Printing Profile. . . . .	487
How to Open the Printer Driver Setup Dialog. . . . .	489
Page Setup Dialog. . . . .	490
Print Dialog. . . . .	491
Updating Media Information in Printer Driver. . . . .	493
Correcting Media Information in Printer Driver (When Printer Used in Shared Environment). . . . .	495
Confirm the Printer Paper Information. . . . .	496
Setting Accounting Information. . . . .	497
Set a PIN Code for Print Jobs. . . . .	498
Deleting the Undesired Print Job. . . . .	500
Displaying the Printing Status Screen. . . . .	501
Canon IJ Printer Utility2. . . . .	502
Opening the Canon IJ Printer Utility2. . . . .	503
Checking the Ink Status from Your Computer. . . . .	504
Instructions for Use (Printer Driver). . . . .	505
Description of Print Dialog. . . . .	506
Quality & Media. . . . .	507
Color Options. . . . .	509



Advanced Paper Settings. . . . .	511
Page Processing. . . . .	513
Additional Settings. . . . .	515
Specifications. . . . .	516
Updating the Printer Driver. . . . .	517
Obtaining the Latest Printer Driver. . . . .	518
Delete the Unnecessary Canon IJ Printer from the Printer List. . . . .	519
Before Installing the Printer Driver. . . . .	520
Installing the Printer Driver. . . . .	521
<b>Application Software. . . . .</b>	<b>522</b>
<b>Managing Print Jobs. . . . .</b>	<b>523</b>
<b>Basic Print Job Operations. . . . .</b>	<b>524</b>
Using Printer Hard Disk. . . . .	525
Saving Print Jobs in Personal Job Box. . . . .	527
Priority Printing. . . . .	532
Printing Pending Jobs. . . . .	534
Printing Security Print Jobs. . . . .	536
Deleting Print Jobs. . . . .	538
Printing Saved Jobs. . . . .	540
Deleting Saved Jobs. . . . .	542
Moving Saved Jobs. . . . .	544
<b>Advanced Print Job Operations. . . . .</b>	<b>545</b>
Saving Print Jobs Sent from Sources Other than Printer Driver. . . . .	546
Printing without Saving Jobs in Common Job Box. . . . .	548
Setting Passwords for Personal Job Boxes. . . . .	549
Naming Personal Job Boxes. . . . .	550
Printing List of Saved Jobs. . . . .	551
Renaming Saved Jobs. . . . .	552
Printer Hard Disk Operations. . . . .	553
Checking Free Hard Disk Space. . . . .	554
<b>Frequently Asked Questions. . . . .</b>	<b>555</b>
I want to easily create vertical or horizontal banners. . . . .	559
Does this printer support sub-ink tank system. . . . .	560
I want to know how to configure roll cutting. . . . .	561

I want to configure so that the roll is cut automatically after waiting for the ink to dry. . .	562
How do I print without borders. . . . .	563
I want to know the paper types that can be used in this printer. . . . .	564
The paper type that I want to print is not displayed on the Touch Screen. . . . .	565
Can I perform duplex printing. . . . .	566
I want to perform enlargement printing. . . . .	567
Network Settings and Common Problems. . . . .	568
Problems Regarding Paper. . . . .	569
Remove Jammed Roll Paper. . . . .	570
Remove a Jammed Sheet. . . . .	575
Remove Jammed Paper (Paper Feed Slot). . . . .	579
Roll paper cannot be inserted into the Paper Feed Slot. . . . .	582
Roll Paper Remains/Lacks under Quantity Management. . . . .	584
Cannot load sheets. . . . .	585
Paper is not cut straight. . . . .	586
Paper is not cut. . . . .	588
Cutter Blade Does Not Work While Cutting Is in Progress. . . . .	589
Dent in the Tip of Paper. . . . .	590
The size of clear film cannot be detected. . . . .	591
Printer Keeps Ejecting the Roll Paper. . . . .	592
Margins are wide. . . . .	595
When printing on roll paper, the printed surface becomes scratched. . . . .	596
Printing Does Not Start. . . . .	597
Printer Suddenly Stopped Working for Some Reason. . . . .	598
The Data lamp on the Operation Panel does not light up. . . . .	603
The printer does not respond even if print jobs are sent. . . . .	604
"Preparing the ink system." is displayed. . . . .	605
"Agitating the ink" is displayed. . . . .	606
Message Is Displayed and Borderless Printing Fails. . . . .	607
The Printer Stops During a Print Job. . . . .	608
Printing stops and an error message is displayed. . . . .	609
The printer ejects blank, unprinted paper. . . . .	610
Problems with the Printing Quality. . . . .	611
Printing is faint. . . . .	612
Paper rubs against the Print Head. . . . .	614

The edges of the paper are dirty. . . . .	616
The surface of the paper is dirty. . . . .	619
The back side of the paper is dirty. . . . .	621
Immediately after borderless printing, the trailing edge margin is soiled during regular printing. . . . .	623
Printed colors are inaccurate. . . . .	624
Banding in different colors occurs. . . . .	626
Colors in printed images are uneven. . . . .	628
Image edges are blurred or white banding occurs. . . . .	631
The length of the printed image in the paper ejection direction is not accurate. . . . .	633
Images are printed crooked. . . . .	635
Documents are printed in monochrome. . . . .	636
Line thickness is not uniform. . . . .	637
Lines or colors are misaligned. . . . .	639
Borders appear in borderless printing. . . . .	641
<b>Cannot Print over Network. . . . .</b>	<b>642</b>
Cannot Connect Printer to Network. . . . .	643
Cannot Print over TCP/IP Network. . . . .	644
Cannot Print over Bonjour networks. . . . .	645
<b>Cannot Find Printer on Network. . . . .</b>	<b>646</b>
Cannot Find Printer During Setup. . . . .	647
Cannot Proceed beyond Printer Connection Screen/Connect Cable Screen. . . . .	651
Searching Printer by IP Address or Host Name During Setup. . . . .	653
Cannot Find Printer while Using Wi-Fi. . . . .	656
Cannot Find Printer while Using Wired LAN. . . . .	659
Cannot Print Using AirPrint. . . . .	660
<b>Installation Problems. . . . .</b>	<b>661</b>
Removing Printer Software. . . . .	662
Taking Time to Setup Process (Windows). . . . .	664
Failed to Printer Driver Installation (Windows). . . . .	665
<b>Other Problems. . . . .</b>	<b>667</b>
Printer does not turn on. . . . .	668
If the Printer Makes a Strange Sound. . . . .	669
Messages advising to check the maintenance cartridge are not cleared. . . . .	671
Printer consumes a lot of ink. . . . .	672
Ink Level Detection. . . . .	673
Media Type Selection does not Match Loaded Media Type. . . . .	674

List of Support Code for Error. . . . .	675
1005. . . . .	677
100A. . . . .	678
1012. . . . .	679
1021. . . . .	680
1024. . . . .	681
1041. . . . .	682
1051. . . . .	683
1052. . . . .	684
1054. . . . .	685
1056. . . . .	686
1057. . . . .	687
1058. . . . .	688
1061. . . . .	689
1200. . . . .	690
1201. . . . .	691
1210. . . . .	692
1213. . . . .	693
1214. . . . .	694
1300. . . . .	695
1306. . . . .	696
1317. . . . .	697
1322. . . . .	698
1323. . . . .	699
1324. . . . .	700
1401. . . . .	701
1403. . . . .	702
1408. . . . .	703
1409. . . . .	704
140A. . . . .	705
140B. . . . .	706
140C. . . . .	707

140F.....	708
1468.....	709
1477.....	710
1478.....	711
1480.....	712
1481.....	713
1485.....	714
1492.....	715
1494.....	716
1495.....	717
1500.....	718
1551.....	719
1552.....	720
1570.....	721
1571.....	722
1660.....	723
168B.....	724
1720.....	725
1721.....	726
1722.....	727
1730.....	728
1731.....	729
1752.....	730
1753.....	731
1756.....	732
1757.....	733
2001.....	734
2002.....	735
2130.....	736
2131.....	737
2132.....	738
3000.....	739
3001.....	740

3200.....	741
3201.....	742
3250.....	743
3306.....	744
3311.....	745
3312.....	746
3313.....	747
3314.....	748
3315.....	749
3316.....	750
3317.....	751
3331.....	752
3332.....	753
3333.....	754
3336.....	755
3338.....	756
3341.....	757
3342.....	758
3350.....	759
3351.....	760
3352.....	761
3414.....	762
3415.....	763
3416.....	764
3417.....	765
3418.....	766
3419.....	767
3420.....	768
3421.....	769
3422.....	770
3423.....	771
3424.....	772
3448.....	773

3451.....	774
4111.....	775
4113.....	776
4114.....	777
4116.....	778
4117.....	779
4122.....	780
4801.....	781
4803.....	782
4900.....	783
4901.....	784
4903.....	785
4905.....	786
4910.....	787
4911.....	788
4913.....	789
4920.....	790
4931.....	792
4932.....	793
4933.....	794
4934.....	795
4935.....	796
4937.....	797
4950.....	798
4951.....	799
4952.....	800
4953.....	801
4954.....	802
4955.....	803
4956.....	804
5106.....	805
5200.....	806
5B16.....	807

5B20.....	808
5B21.....	809
5C00.....	810
6502.....	811
6700.....	812
6702.....	813
6820.....	814
6900.....	815
6901.....	816
6902.....	817
6910.....	818
6911.....	819
6920.....	820
6921.....	821
6930.....	822
6931.....	823
6932.....	824
6933.....	825
6940.....	826
6941.....	827
6942.....	828
6943.....	829
6944.....	830
6945.....	831
6946.....	832
7050.....	833
7051.....	834
7052.....	835
8200.....	836
9000.....	837
9110.....	838
B20A.....	839





## Using This Online Manual

---

- ➔ [Symbols Used in This Document](#)
- ➔ [Touch-enabled Device Users \(Windows\)](#)

### Symbols Used in This Document

#### **Warning**

Instructions that, if ignored, could result in death, serious personal injury, or property damage caused by incorrect operation of the equipment. These must be observed for safe operation.

#### **Caution**

Instructions that, if ignored, could result in personal injury or property damage caused by incorrect operation of the equipment. These must be observed for safe operation.

#### **Important**

Instructions including important information that must be observed to avoid damage and injury or improper use of the product. Be sure to read these instructions.

#### **Note**

Instructions including notes for operation and additional explanations.

#### **Basics**

Instructions explaining basic operations of your product.

#### **Note**

- Icons may vary depending on your product.

### Touch-enabled Device Users (Windows)

For touch actions, you need to replace "right-click" in this document with the action set on the operating system. For example, if the action is set to "press and hold" on your operating system, replace "right-click" with "press and hold."

## Trademarks and Licenses

- Microsoft is a registered trademark of Microsoft Corporation.
- Windows is a trademark or registered trademark of Microsoft Corporation in the U.S. and/or other countries.
- Windows Vista is a trademark or registered trademark of Microsoft Corporation in the U.S. and/or other countries.
- Microsoft Edge is a trademark or registered trademark of Microsoft Corporation in the U.S. and/or other countries.
- Internet Explorer is a trademark or registered trademark of Microsoft Corporation in the U.S. and/or other countries.
- Mac, Mac OS, macOS, OS X, AirPort, App Store, AirPrint, the AirPrint logo, Safari, Bonjour, iPad, iPad Air, iPad mini, iPadOS, iPhone and iPod touch are trademarks of Apple Inc., registered in the U.S. and other countries.
- IOS is a trademark or registered trademark of Cisco in the U.S. and other countries and is used under license.
- Google Cloud Print, Google Chrome, Chrome OS, Chromebook, Android, Google Drive, Google Apps and Google Analytics are either registered trademarks or trademarks of Google Inc. Google Play and Google Play Logo are trademarks of Google LLC.
- Adobe, Acrobat, Flash, Photoshop, Photoshop Elements, Lightroom, Adobe RGB and Adobe RGB (1998) are either registered trademarks or trademarks of Adobe Systems Incorporated in the United States and/or other countries.
- Bluetooth is a trademark of Bluetooth SIG, Inc., U.S.A. and licensed to Canon Inc.
- Autodesk and AutoCAD are registered trademarks or trademarks of Autodesk, Inc., and/or its subsidiaries and/or affiliates in the USA and/or other countries.
- QR Code is a registered trademark of DENSO WAVE INCORPORATED in Japan and in other countries.
- USB Type-C™ is a trademark of USB Implementers Forum.
- The Mopria® word mark and the Mopria® Logo are registered and/or unregistered trademarks of Mopria Alliance, Inc. in the United States and other countries. Unauthorized use is strictly prohibited.

### ▶▶▶ Note

- The formal name of Windows Vista is Microsoft Windows Vista operating system.

Copyright (c) 2003-2015 Apple Inc. All rights reserved.

Redistribution and use in source and binary forms, with or without modification, are permitted provided that the following conditions are met:

1. Redistributions of source code must retain the above copyright notice, this list of conditions and the following disclaimer.
2. Redistributions in binary form must reproduce the above copyright notice, this list of conditions and the following disclaimer in the documentation and/or other materials provided with the distribution.
3. Neither the name of Apple Inc. ("Apple") nor the names of its contributors may be used to endorse or promote products derived from this software without specific prior written permission.

THIS SOFTWARE IS PROVIDED BY APPLE AND ITS CONTRIBUTORS "AS IS" AND ANY EXPRESS OR IMPLIED WARRANTIES, INCLUDING, BUT NOT LIMITED TO, THE IMPLIED WARRANTIES OF MERCHANTABILITY AND FITNESS FOR A PARTICULAR PURPOSE ARE DISCLAIMED. IN

NO EVENT SHALL APPLE OR ITS CONTRIBUTORS BE LIABLE FOR ANY DIRECT, INDIRECT, INCIDENTAL, SPECIAL, EXEMPLARY, OR CONSEQUENTIAL DAMAGES (INCLUDING, BUT NOT LIMITED TO, PROCUREMENT OF SUBSTITUTE GOODS OR SERVICES; LOSS OF USE, DATA, OR PROFITS; OR BUSINESS INTERRUPTION) HOWEVER CAUSED AND ON ANY THEORY OF LIABILITY, WHETHER IN CONTRACT, STRICT LIABILITY, OR TORT (INCLUDING NEGLIGENCE OR OTHERWISE) ARISING IN ANY WAY OUT OF THE USE OF THIS SOFTWARE, EVEN IF ADVISED OF THE POSSIBILITY OF SUCH DAMAGE.

Apache License

Version 2.0, January 2004

<http://www.apache.org/licenses/>

TERMS AND CONDITIONS FOR USE, REPRODUCTION, AND DISTRIBUTION

1. Definitions.

"License" shall mean the terms and conditions for use, reproduction, and distribution as defined by Sections 1 through 9 of this document.

"Licensor" shall mean the copyright owner or entity authorized by the copyright owner that is granting the License.

"Legal Entity" shall mean the union of the acting entity and all other entities that control, are controlled by, or are under common control with that entity. For the purposes of this definition, "control" means (i) the power, direct or indirect, to cause the direction or management of such entity, whether by contract or otherwise, or (ii) ownership of fifty percent (50%) or more of the outstanding shares, or (iii) beneficial ownership of such entity.

"You" (or "Your") shall mean an individual or Legal Entity exercising permissions granted by this License.

"Source" form shall mean the preferred form for making modifications, including but not limited to software source code, documentation source, and configuration files.

"Object" form shall mean any form resulting from mechanical transformation or translation of a Source form, including but not limited to compiled object code, generated documentation, and conversions to other media types.

"Work" shall mean the work of authorship, whether in Source or Object form, made available under the License, as indicated by a copyright notice that is included in or attached to the work (an example is provided in the Appendix below).

"Derivative Works" shall mean any work, whether in Source or Object form, that is based on (or derived from) the Work and for which the editorial revisions, annotations, elaborations, or other modifications represent, as a whole, an original work of authorship. For the purposes of this License, Derivative Works shall not include works that remain separable from, or merely link (or bind by name) to the interfaces of, the Work and Derivative Works thereof.

"Contribution" shall mean any work of authorship, including the original version of the Work and any modifications or additions to that Work or Derivative Works thereof, that is intentionally submitted to Licensor for inclusion in the Work by the copyright owner or by an individual or Legal Entity authorized to submit on behalf of the copyright owner. For the purposes of this definition, "submitted" means any form of electronic, verbal, or written communication sent to the Licensor or its representatives, including but not limited to communication on electronic mailing lists,

source code control systems, and issue tracking systems that are managed by, or on behalf of, the Licensor for the purpose of discussing and improving the Work, but excluding communication that is conspicuously marked or otherwise designated in writing by the copyright owner as "Not a Contribution."

"Contributor" shall mean Licensor and any individual or Legal Entity on behalf of whom a Contribution has been received by Licensor and subsequently incorporated within the Work.

2. **Grant of Copyright License.** Subject to the terms and conditions of this License, each Contributor hereby grants to You a perpetual, worldwide, non-exclusive, no-charge, royalty-free, irrevocable copyright license to reproduce, prepare Derivative Works of, publicly display, publicly perform, sublicense, and distribute the Work and such Derivative Works in Source or Object form.
3. **Grant of Patent License.** Subject to the terms and conditions of this License, each Contributor hereby grants to You a perpetual, worldwide, non-exclusive, no-charge, royalty-free, irrevocable (except as stated in this section) patent license to make, have made, use, offer to sell, sell, import, and otherwise transfer the Work, where such license applies only to those patent claims licensable by such Contributor that are necessarily infringed by their Contribution(s) alone or by combination of their Contribution(s) with the Work to which such Contribution(s) was submitted. If You institute patent litigation against any entity (including a cross-claim or counterclaim in a lawsuit) alleging that the Work or a Contribution incorporated within the Work constitutes direct or contributory patent infringement, then any patent licenses granted to You under this License for that Work shall terminate as of the date such litigation is filed.
4. **Redistribution.** You may reproduce and distribute copies of the Work or Derivative Works thereof in any medium, with or without modifications, and in Source or Object form, provided that You meet the following conditions:
  1. You must give any other recipients of the Work or Derivative Works a copy of this License; and
  2. You must cause any modified files to carry prominent notices stating that You changed the files; and
  3. You must retain, in the Source form of any Derivative Works that You distribute, all copyright, patent, trademark, and attribution notices from the Source form of the Work, excluding those notices that do not pertain to any part of the Derivative Works; and
  4. If the Work includes a "NOTICE" text file as part of its distribution, then any Derivative Works that You distribute must include a readable copy of the attribution notices contained within such NOTICE file, excluding those notices that do not pertain to any part of the Derivative Works, in at least one of the following places: within a NOTICE text file distributed as part of the Derivative Works; within the Source form or documentation, if provided along with the Derivative Works; or, within a display generated by the Derivative Works, if and wherever such third-party notices normally appear. The contents of the NOTICE file are for informational purposes only and do not modify the License. You may add Your own attribution notices within Derivative Works that You distribute, alongside or as an addendum to the NOTICE text from the Work, provided that such additional attribution notices cannot be construed as modifying the License.

You may add Your own copyright statement to Your modifications and may provide additional or different license terms and conditions for use, reproduction, or distribution of Your modifications, or for any such Derivative Works as a whole, provided Your use, reproduction, and distribution of the Work otherwise complies with the conditions stated in this License.
5. **Submission of Contributions.** Unless You explicitly state otherwise, any Contribution intentionally submitted for inclusion in the Work by You to the Licensor shall be under the terms and conditions

of this License, without any additional terms or conditions. Notwithstanding the above, nothing herein shall supersede or modify the terms of any separate license agreement you may have executed with Licensor regarding such Contributions.

6. Trademarks. This License does not grant permission to use the trade names, trademarks, service marks, or product names of the Licensor, except as required for reasonable and customary use in describing the origin of the Work and reproducing the content of the NOTICE file.
7. Disclaimer of Warranty. Unless required by applicable law or agreed to in writing, Licensor provides the Work (and each Contributor provides its Contributions) on an "AS IS" BASIS, WITHOUT WARRANTIES OR CONDITIONS OF ANY KIND, either express or implied, including, without limitation, any warranties or conditions of TITLE, NON-INFRINGEMENT, MERCHANTABILITY, or FITNESS FOR A PARTICULAR PURPOSE. You are solely responsible for determining the appropriateness of using or redistributing the Work and assume any risks associated with Your exercise of permissions under this License.
8. Limitation of Liability. In no event and under no legal theory, whether in tort (including negligence), contract, or otherwise, unless required by applicable law (such as deliberate and grossly negligent acts) or agreed to in writing, shall any Contributor be liable to You for damages, including any direct, indirect, special, incidental, or consequential damages of any character arising as a result of this License or out of the use or inability to use the Work (including but not limited to damages for loss of goodwill, work stoppage, computer failure or malfunction, or any and all other commercial damages or losses), even if such Contributor has been advised of the possibility of such damages.
9. Accepting Warranty or Additional Liability. While redistributing the Work or Derivative Works thereof, You may choose to offer, and charge a fee for, acceptance of support, warranty, indemnity, or other liability obligations and/or rights consistent with this License. However, in accepting such obligations, You may act only on Your own behalf and on Your sole responsibility, not on behalf of any other Contributor, and only if You agree to indemnify, defend, and hold each Contributor harmless for any liability incurred by, or claims asserted against, such Contributor by reason of your accepting any such warranty or additional liability.

END OF TERMS AND CONDITIONS

---- Part 1: CMU/UCD copyright notice: (BSD like) ----

Copyright 1989, 1991, 1992 by Carnegie Mellon University

Derivative Work - 1996, 1998-2000

Copyright 1996, 1998-2000 The Regents of the University of California

All Rights Reserved

Permission to use, copy, modify and distribute this software and its documentation for any purpose and without fee is hereby granted, provided that the above copyright notice appears in all copies and that both that copyright notice and this permission notice appear in supporting documentation, and that the name of CMU and The Regents of the University of California not be used in advertising or publicity pertaining to distribution of the software without specific written permission.

CMU AND THE REGENTS OF THE UNIVERSITY OF CALIFORNIA DISCLAIM ALL WARRANTIES WITH REGARD TO THIS SOFTWARE, INCLUDING ALL IMPLIED WARRANTIES OF MERCHANTABILITY AND FITNESS. IN NO EVENT SHALL CMU OR THE REGENTS OF THE UNIVERSITY OF CALIFORNIA BE LIABLE FOR ANY SPECIAL, INDIRECT OR CONSEQUENTIAL DAMAGES OR ANY DAMAGES WHATSOEVER RESULTING FROM THE LOSS OF USE, DATA OR

PROFITS, WHETHER IN AN ACTION OF CONTRACT, NEGLIGENCE OR OTHER TORTIOUS ACTION, ARISING OUT OF OR IN CONNECTION WITH THE USE OR PERFORMANCE OF THIS SOFTWARE.

---- Part 2: Networks Associates Technology, Inc copyright notice (BSD) ----

Copyright (c) 2001-2003, Networks Associates Technology, Inc

All rights reserved.

Redistribution and use in source and binary forms, with or without modification, are permitted provided that the following conditions are met:

- \* Redistributions of source code must retain the above copyright notice, this list of conditions and the following disclaimer.
- \* Redistributions in binary form must reproduce the above copyright notice, this list of conditions and the following disclaimer in the documentation and/or other materials provided with the distribution.
- \* Neither the name of the Networks Associates Technology, Inc nor the names of its contributors may be used to endorse or promote products derived from this software without specific prior written permission.

THIS SOFTWARE IS PROVIDED BY THE COPYRIGHT HOLDERS AND CONTRIBUTORS ``AS IS" AND ANY EXPRESS OR IMPLIED WARRANTIES, INCLUDING, BUT NOT LIMITED TO, THE IMPLIED WARRANTIES OF MERCHANTABILITY AND FITNESS FOR A PARTICULAR PURPOSE ARE DISCLAIMED. IN NO EVENT SHALL THE COPYRIGHT HOLDERS OR CONTRIBUTORS BE LIABLE FOR ANY DIRECT, INDIRECT, INCIDENTAL, SPECIAL, EXEMPLARY, OR CONSEQUENTIAL DAMAGES (INCLUDING, BUT NOT LIMITED TO, PROCUREMENT OF SUBSTITUTE GOODS OR SERVICES; LOSS OF USE, DATA, OR PROFITS; OR BUSINESS INTERRUPTION) HOWEVER CAUSED AND ON ANY THEORY OF LIABILITY, WHETHER IN CONTRACT, STRICT LIABILITY, OR TORT (INCLUDING NEGLIGENCE OR OTHERWISE) ARISING IN ANY WAY OUT OF THE USE OF THIS SOFTWARE, EVEN IF ADVISED OF THE POSSIBILITY OF SUCH DAMAGE.

---- Part 3: Cambridge Broadband Ltd. copyright notice (BSD) ----

Portions of this code are copyright (c) 2001-2003, Cambridge Broadband Ltd.

All rights reserved.

Redistribution and use in source and binary forms, with or without modification, are permitted provided that the following conditions are met:

- \* Redistributions of source code must retain the above copyright notice, this list of conditions and the following disclaimer.
- \* Redistributions in binary form must reproduce the above copyright notice, this list of conditions and the following disclaimer in the documentation and/or other materials provided with the distribution.
- \* The name of Cambridge Broadband Ltd. may not be used to endorse or promote products derived from this software without specific prior written permission.

THIS SOFTWARE IS PROVIDED BY THE COPYRIGHT HOLDER ``AS IS" AND ANY EXPRESS OR IMPLIED WARRANTIES, INCLUDING, BUT NOT LIMITED TO, THE IMPLIED WARRANTIES OF MERCHANTABILITY AND FITNESS FOR A PARTICULAR PURPOSE ARE DISCLAIMED. IN NO EVENT SHALL THE COPYRIGHT HOLDER BE LIABLE FOR ANY DIRECT, INDIRECT, INCIDENTAL, SPECIAL, EXEMPLARY, OR CONSEQUENTIAL DAMAGES (INCLUDING, BUT NOT LIMITED TO, PROCUREMENT OF SUBSTITUTE GOODS OR SERVICES; LOSS OF USE, DATA, OR PROFITS; OR BUSINESS INTERRUPTION) HOWEVER CAUSED AND ON ANY THEORY OF LIABILITY, WHETHER

IN CONTRACT, STRICT LIABILITY, OR TORT (INCLUDING NEGLIGENCE OR OTHERWISE) ARISING IN ANY WAY OUT OF THE USE OF THIS SOFTWARE, EVEN IF ADVISED OF THE POSSIBILITY OF SUCH DAMAGE.

---- Part 4: Sun Microsystems, Inc. copyright notice (BSD) ----

Copyright c 2003 Sun Microsystems, Inc., 4150 Network Circle, Santa Clara, California 95054, U.S.A. All rights reserved.

Use is subject to license terms below.

This distribution may include materials developed by third parties.

Sun, Sun Microsystems, the Sun logo and Solaris are trademarks or registered trademarks of Sun Microsystems, Inc. in the U.S. and other countries.

Redistribution and use in source and binary forms, with or without modification, are permitted provided that the following conditions are met:

- \* Redistributions of source code must retain the above copyright notice, this list of conditions and the following disclaimer.
- \* Redistributions in binary form must reproduce the above copyright notice, this list of conditions and the following disclaimer in the documentation and/or other materials provided with the distribution.
- \* Neither the name of the Sun Microsystems, Inc. nor the names of its contributors may be used to endorse or promote products derived from this software without specific prior written permission.

THIS SOFTWARE IS PROVIDED BY THE COPYRIGHT HOLDERS AND CONTRIBUTORS "AS IS" AND ANY EXPRESS OR IMPLIED WARRANTIES, INCLUDING, BUT NOT LIMITED TO, THE IMPLIED WARRANTIES OF MERCHANTABILITY AND FITNESS FOR A PARTICULAR PURPOSE ARE DISCLAIMED. IN NO EVENT SHALL THE COPYRIGHT HOLDERS OR CONTRIBUTORS BE LIABLE FOR ANY DIRECT, INDIRECT, INCIDENTAL, SPECIAL, EXEMPLARY, OR CONSEQUENTIAL DAMAGES (INCLUDING, BUT NOT LIMITED TO, PROCUREMENT OF SUBSTITUTE GOODS OR SERVICES; LOSS OF USE, DATA, OR PROFITS; OR BUSINESS INTERRUPTION) HOWEVER CAUSED AND ON ANY THEORY OF LIABILITY, WHETHER IN CONTRACT, STRICT LIABILITY, OR TORT (INCLUDING NEGLIGENCE OR OTHERWISE) ARISING IN ANY WAY OUT OF THE USE OF THIS SOFTWARE, EVEN IF ADVISED OF THE POSSIBILITY OF SUCH DAMAGE.

---- Part 5: Sparta, Inc copyright notice (BSD) ----

Copyright (c) 2003-2012, Sparta, Inc

All rights reserved.

Redistribution and use in source and binary forms, with or without modification, are permitted provided that the following conditions are met:

- \* Redistributions of source code must retain the above copyright notice, this list of conditions and the following disclaimer.
- \* Redistributions in binary form must reproduce the above copyright notice, this list of conditions and the following disclaimer in the documentation and/or other materials provided with the distribution.
- \* Neither the name of Sparta, Inc nor the names of its contributors may be used to endorse or promote products derived from this software without specific prior written permission.



THIS SOFTWARE IS PROVIDED BY THE COPYRIGHT HOLDERS AND CONTRIBUTORS ``AS IS" AND ANY EXPRESS OR IMPLIED WARRANTIES, INCLUDING, BUT NOT LIMITED TO, THE IMPLIED WARRANTIES OF MERCHANTABILITY AND FITNESS FOR A PARTICULAR PURPOSE ARE DISCLAIMED. IN NO EVENT SHALL THE COPYRIGHT HOLDERS OR CONTRIBUTORS BE LIABLE FOR ANY DIRECT, INDIRECT, INCIDENTAL, SPECIAL, EXEMPLARY, OR CONSEQUENTIAL DAMAGES (INCLUDING, BUT NOT LIMITED TO, PROCUREMENT OF SUBSTITUTE GOODS OR SERVICES; LOSS OF USE, DATA, OR PROFITS; OR BUSINESS INTERRUPTION) HOWEVER CAUSED AND ON ANY THEORY OF LIABILITY, WHETHER IN CONTRACT, STRICT LIABILITY, OR TORT (INCLUDING NEGLIGENCE OR OTHERWISE) ARISING IN ANY WAY OUT OF THE USE OF THIS SOFTWARE, EVEN IF ADVISED OF THE POSSIBILITY OF SUCH DAMAGE.

---- Part 6: Cisco/BUPTNIC copyright notice (BSD) ----

Copyright (c) 2004, Cisco, Inc and Information Network Center of Beijing University of Posts and Telecommunications.

All rights reserved.

Redistribution and use in source and binary forms, with or without modification, are permitted provided that the following conditions are met:

- \* Redistributions of source code must retain the above copyright notice, this list of conditions and the following disclaimer.
- \* Redistributions in binary form must reproduce the above copyright notice, this list of conditions and the following disclaimer in the documentation and/or other materials provided with the distribution.
- \* Neither the name of Cisco, Inc, Beijing University of Posts and Telecommunications, nor the names of their contributors may be used to endorse or promote products derived from this software without specific prior written permission.

THIS SOFTWARE IS PROVIDED BY THE COPYRIGHT HOLDERS AND CONTRIBUTORS ``AS IS" AND ANY EXPRESS OR IMPLIED WARRANTIES, INCLUDING, BUT NOT LIMITED TO, THE IMPLIED WARRANTIES OF MERCHANTABILITY AND FITNESS FOR A PARTICULAR PURPOSE ARE DISCLAIMED. IN NO EVENT SHALL THE COPYRIGHT HOLDERS OR CONTRIBUTORS BE LIABLE FOR ANY DIRECT, INDIRECT, INCIDENTAL, SPECIAL, EXEMPLARY, OR CONSEQUENTIAL DAMAGES (INCLUDING, BUT NOT LIMITED TO, PROCUREMENT OF SUBSTITUTE GOODS OR SERVICES; LOSS OF USE, DATA, OR PROFITS; OR BUSINESS INTERRUPTION) HOWEVER CAUSED AND ON ANY THEORY OF LIABILITY, WHETHER IN CONTRACT, STRICT LIABILITY, OR TORT (INCLUDING NEGLIGENCE OR OTHERWISE) ARISING IN ANY WAY OUT OF THE USE OF THIS SOFTWARE, EVEN IF ADVISED OF THE POSSIBILITY OF SUCH DAMAGE.

---- Part 7: Fabasoft R&D Software GmbH & Co KG copyright notice (BSD) ----

Copyright (c) Fabasoft R&D Software GmbH & Co KG, 2003 oss@fabasoft.com

Author: Bernhard Penz <bernhard.penz@fabasoft.com>

Redistribution and use in source and binary forms, with or without modification, are permitted provided that the following conditions are met:

- \* Redistributions of source code must retain the above copyright notice, this list of conditions and the following disclaimer.

\* Redistributions in binary form must reproduce the above copyright notice, this list of conditions and the following disclaimer in the documentation and/or other materials provided with the distribution.

\* The name of Fabasoft R&D Software GmbH & Co KG or any of its subsidiaries, brand or product names may not be used to endorse or promote products derived from this software without specific prior written permission.

THIS SOFTWARE IS PROVIDED BY THE COPYRIGHT HOLDER "AS IS" AND ANY EXPRESS OR IMPLIED WARRANTIES, INCLUDING, BUT NOT LIMITED TO, THE IMPLIED WARRANTIES OF MERCHANTABILITY AND FITNESS FOR A PARTICULAR PURPOSE ARE DISCLAIMED. IN NO EVENT SHALL THE COPYRIGHT HOLDER BE LIABLE FOR ANY DIRECT, INDIRECT, INCIDENTAL, SPECIAL, EXEMPLARY, OR CONSEQUENTIAL DAMAGES (INCLUDING, BUT NOT LIMITED TO, PROCUREMENT OF SUBSTITUTE GOODS OR SERVICES; LOSS OF USE, DATA, OR PROFITS; OR BUSINESS INTERRUPTION) HOWEVER CAUSED AND ON ANY THEORY OF LIABILITY, WHETHER IN CONTRACT, STRICT LIABILITY, OR TORT (INCLUDING NEGLIGENCE OR OTHERWISE) ARISING IN ANY WAY OUT OF THE USE OF THIS SOFTWARE, EVEN IF ADVISED OF THE POSSIBILITY OF SUCH DAMAGE.

---- Part 8: Apple Inc. copyright notice (BSD) ----

Copyright (c) 2007 Apple Inc. All rights reserved.

Redistribution and use in source and binary forms, with or without modification, are permitted provided that the following conditions are met:

1. Redistributions of source code must retain the above copyright notice, this list of conditions and the following disclaimer.
2. Redistributions in binary form must reproduce the above copyright notice, this list of conditions and the following disclaimer in the documentation and/or other materials provided with the distribution.
3. Neither the name of Apple Inc. ("Apple") nor the names of its contributors may be used to endorse or promote products derived from this software without specific prior written permission.

THIS SOFTWARE IS PROVIDED BY APPLE AND ITS CONTRIBUTORS "AS IS" AND ANY EXPRESS OR IMPLIED WARRANTIES, INCLUDING, BUT NOT LIMITED TO, THE IMPLIED WARRANTIES OF MERCHANTABILITY AND FITNESS FOR A PARTICULAR PURPOSE ARE DISCLAIMED. IN NO EVENT SHALL APPLE OR ITS CONTRIBUTORS BE LIABLE FOR ANY DIRECT, INDIRECT, INCIDENTAL, SPECIAL, EXEMPLARY, OR CONSEQUENTIAL DAMAGES (INCLUDING, BUT NOT LIMITED TO, PROCUREMENT OF SUBSTITUTE GOODS OR SERVICES; LOSS OF USE, DATA, OR PROFITS; OR BUSINESS INTERRUPTION) HOWEVER CAUSED AND ON ANY THEORY OF LIABILITY, WHETHER IN CONTRACT, STRICT LIABILITY, OR TORT (INCLUDING NEGLIGENCE OR OTHERWISE) ARISING IN ANY WAY OUT OF THE USE OF THIS SOFTWARE, EVEN IF ADVISED OF THE POSSIBILITY OF SUCH DAMAGE.

---- Part 9: ScienceLogic, LLC copyright notice (BSD) ----

Copyright (c) 2009, ScienceLogic, LLC

All rights reserved.

Redistribution and use in source and binary forms, with or without modification, are permitted provided that the following conditions are met:

\* Redistributions of source code must retain the above copyright notice, this list of conditions and the following disclaimer.

\* Redistributions in binary form must reproduce the above copyright notice, this list of conditions and the following disclaimer in the documentation and/or other materials provided with the distribution.

\* Neither the name of ScienceLogic, LLC nor the names of its contributors may be used to endorse or promote products derived from this software without specific prior written permission.

THIS SOFTWARE IS PROVIDED BY THE COPYRIGHT HOLDERS AND CONTRIBUTORS "AS IS" AND ANY EXPRESS OR IMPLIED WARRANTIES, INCLUDING, BUT NOT LIMITED TO, THE IMPLIED WARRANTIES OF MERCHANTABILITY AND FITNESS FOR A PARTICULAR PURPOSE ARE DISCLAIMED. IN NO EVENT SHALL THE COPYRIGHT HOLDERS OR CONTRIBUTORS BE LIABLE FOR ANY DIRECT, INDIRECT, INCIDENTAL, SPECIAL, EXEMPLARY, OR CONSEQUENTIAL DAMAGES (INCLUDING, BUT NOT LIMITED TO, PROCUREMENT OF SUBSTITUTE GOODS OR SERVICES; LOSS OF USE, DATA, OR PROFITS; OR BUSINESS INTERRUPTION) HOWEVER CAUSED AND ON ANY THEORY OF LIABILITY, WHETHER IN CONTRACT, STRICT LIABILITY, OR TORT (INCLUDING NEGLIGENCE OR OTHERWISE) ARISING IN ANY WAY OUT OF THE USE OF THIS SOFTWARE, EVEN IF ADVISED OF THE POSSIBILITY OF SUCH DAMAGE.

## LEADTOOLS

Copyright (C) 1991-2009 LEAD Technologies, Inc.

CMap Resources

-----  
Copyright 1990-2009 Adobe Systems Incorporated.

All rights reserved.

Copyright 1990-2010 Adobe Systems Incorporated.

All rights reserved.

Redistribution and use in source and binary forms, with or without modification, are permitted provided that the following conditions are met:

Redistributions of source code must retain the above copyright notice, this list of conditions and the following disclaimer.

Redistributions in binary form must reproduce the above copyright notice, this list of conditions and the following disclaimer in the documentation and/or other materials provided with the distribution.

Neither the name of Adobe Systems Incorporated nor the names of its contributors may be used to endorse or promote products derived from this software without specific prior written permission.

THIS SOFTWARE IS PROVIDED BY THE COPYRIGHT HOLDERS AND CONTRIBUTORS "AS IS" AND ANY EXPRESS OR IMPLIED WARRANTIES, INCLUDING, BUT NOT LIMITED TO, THE IMPLIED WARRANTIES OF MERCHANTABILITY AND FITNESS FOR A PARTICULAR PURPOSE ARE

DISCLAIMED. IN NO EVENT SHALL THE COPYRIGHT HOLDER OR CONTRIBUTORS BE LIABLE FOR ANY DIRECT, INDIRECT, INCIDENTAL, SPECIAL, EXEMPLARY, OR CONSEQUENTIAL DAMAGES (INCLUDING, BUT NOT LIMITED TO, PROCUREMENT OF SUBSTITUTE GOODS OR SERVICES; LOSS OF USE, DATA, OR PROFITS; OR BUSINESS INTERRUPTION) HOWEVER CAUSED AND ON ANY THEORY OF LIABILITY, WHETHER IN CONTRACT, STRICT LIABILITY, OR TORT (INCLUDING NEGLIGENCE OR OTHERWISE) ARISING IN ANY WAY OUT OF THE USE OF THIS SOFTWARE, EVEN IF ADVISED OF THE POSSIBILITY OF SUCH DAMAGE.

-----

MIT License

Copyright (c) 1998, 1999, 2000 Thai Open Source Software Center Ltd

Permission is hereby granted, free of charge, to any person obtaining a copy of this software and associated documentation files (the "Software"), to deal in the Software without restriction, including without limitation the rights to use, copy, modify, merge, publish, distribute, sublicense, and/or sell copies of the Software, and to permit persons to whom the Software is furnished to do so, subject to the following conditions:

The above copyright notice and this permission notice shall be included in all copies or substantial portions of the Software.

THE SOFTWARE IS PROVIDED "AS IS", WITHOUT WARRANTY OF ANY KIND, EXPRESS OR IMPLIED, INCLUDING BUT NOT LIMITED TO THE WARRANTIES OF MERCHANTABILITY, FITNESS FOR A PARTICULAR PURPOSE AND NONINFRINGEMENT. IN NO EVENT SHALL THE AUTHORS OR COPYRIGHT HOLDERS BE LIABLE FOR ANY CLAIM, DAMAGES OR OTHER LIABILITY, WHETHER IN AN ACTION OF CONTRACT, TORT OR OTHERWISE, ARISING FROM, OUT OF OR IN CONNECTION WITH THE SOFTWARE OR THE USE OR OTHER DEALINGS IN THE SOFTWARE.

Copyright 2000 Computing Research Labs, New Mexico State University

Copyright 2001-2015 Francesco Zappa Nardelli

Permission is hereby granted, free of charge, to any person obtaining a copy of this software and associated documentation files (the "Software"), to deal in the Software without restriction, including without limitation the rights to use, copy, modify, merge, publish, distribute, sublicense, and/or sell copies of the Software, and to permit persons to whom the Software is furnished to do so, subject to the following conditions:

The above copyright notice and this permission notice shall be included in all copies or substantial portions of the Software.

THE SOFTWARE IS PROVIDED "AS IS", WITHOUT WARRANTY OF ANY KIND, EXPRESS OR IMPLIED, INCLUDING BUT NOT LIMITED TO THE WARRANTIES OF MERCHANTABILITY, FITNESS FOR A PARTICULAR PURPOSE AND NONINFRINGEMENT. IN NO EVENT SHALL THE COMPUTING RESEARCH LAB OR NEW MEXICO STATE UNIVERSITY BE LIABLE FOR ANY CLAIM, DAMAGES OR OTHER LIABILITY, WHETHER IN AN ACTION OF CONTRACT, TORT OR OTHERWISE, ARISING FROM, OUT OF OR IN CONNECTION WITH THE SOFTWARE OR THE USE OR OTHER DEALINGS IN THE SOFTWARE.

Written by Joel Sherrill <joel@OARcorp.com>.

COPYRIGHT (c) 1989-2000.

On-Line Applications Research Corporation (OAR).

Permission to use, copy, modify, and distribute this software for any purpose without fee is hereby granted, provided that this entire notice is included in all copies of any software which is or includes a copy or modification of this software.

THIS SOFTWARE IS BEING PROVIDED "AS IS", WITHOUT ANY EXPRESS OR IMPLIED WARRANTY. IN PARTICULAR, THE AUTHOR MAKES NO REPRESENTATION OR WARRANTY OF ANY KIND CONCERNING THE MERCHANTABILITY OF THIS SOFTWARE OR ITS FITNESS FOR ANY PARTICULAR PURPOSE.

(1) Red Hat Incorporated

Copyright (c) 1994-2009 Red Hat, Inc. All rights reserved.

This copyrighted material is made available to anyone wishing to use, modify, copy, or redistribute it subject to the terms and conditions of the BSD License. This program is distributed in the hope that it will be useful, but WITHOUT ANY WARRANTY expressed or implied, including the implied warranties of MERCHANTABILITY or FITNESS FOR A PARTICULAR PURPOSE. A copy of this license is available at <http://www.opensource.org/licenses>. Any Red Hat trademarks that are incorporated in the source code or documentation are not subject to the BSD License and may only be used or replicated with the express permission of Red Hat, Inc.

(2) University of California, Berkeley

Copyright (c) 1981-2000 The Regents of the University of California.

All rights reserved.

Redistribution and use in source and binary forms, with or without modification, are permitted provided that the following conditions are met:

- \* Redistributions of source code must retain the above copyright notice, this list of conditions and the following disclaimer.
- \* Redistributions in binary form must reproduce the above copyright notice, this list of conditions and the following disclaimer in the documentation and/or other materials provided with the distribution.
- \* Neither the name of the University nor the names of its contributors may be used to endorse or promote products derived from this software without specific prior written permission.

THIS SOFTWARE IS PROVIDED BY THE COPYRIGHT HOLDERS AND CONTRIBUTORS "AS IS" AND ANY EXPRESS OR IMPLIED WARRANTIES, INCLUDING, BUT NOT LIMITED TO, THE IMPLIED WARRANTIES OF MERCHANTABILITY AND FITNESS FOR A PARTICULAR PURPOSE ARE DISCLAIMED. IN NO EVENT SHALL THE COPYRIGHT OWNER OR CONTRIBUTORS BE LIABLE FOR ANY DIRECT, INDIRECT, INCIDENTAL, SPECIAL, EXEMPLARY, OR CONSEQUENTIAL DAMAGES (INCLUDING, BUT NOT LIMITED TO, PROCUREMENT OF SUBSTITUTE GOODS OR SERVICES; LOSS OF USE, DATA, OR PROFITS; OR BUSINESS INTERRUPTION) HOWEVER CAUSED AND ON ANY THEORY OF LIABILITY, WHETHER IN CONTRACT, STRICT LIABILITY, OR TORT (INCLUDING NEGLIGENCE OR OTHERWISE) ARISING IN ANY WAY OUT OF THE USE OF THIS SOFTWARE, EVEN IF ADVISED OF THE POSSIBILITY OF SUCH DAMAGE.

The FreeType Project LICENSE

-----

2006-Jan-27

Copyright 1996-2002, 2006 by

David Turner, Robert Wilhelm, and Werner Lemberg

Introduction

=====

The FreeType Project is distributed in several archive packages; some of them may contain, in addition to the FreeType font engine, various tools and contributions which rely on, or relate to, the FreeType Project.

This license applies to all files found in such packages, and which do not fall under their own explicit license. The license affects thus the FreeType font engine, the test programs, documentation and makefiles, at the very least.

This license was inspired by the BSD, Artistic, and IJG (Independent JPEG Group) licenses, which all encourage inclusion and use of free software in commercial and freeware products alike. As a consequence, its main points are that:

- o We don't promise that this software works. However, we will be interested in any kind of bug reports. ('as is' distribution)
- o You can use this software for whatever you want, in parts or full form, without having to pay us. ('royalty-free' usage)
- o You may not pretend that you wrote this software. If you use it, or only parts of it, in a program, you must acknowledge somewhere in your documentation that you have used the FreeType code. ('credits')

We specifically permit and encourage the inclusion of this software, with or without modifications, in commercial products.

We disclaim all warranties covering The FreeType Project and assume no liability related to The FreeType Project.

Finally, many people asked us for a preferred form for a credit/disclaimer to use in compliance with this license. We thus encourage you to use the following text:

""""

Portions of this software are copyright © <year> The FreeType Project (www.freetype.org). All rights reserved.

""""

Please replace <year> with the value from the FreeType version you actually use.

Legal Terms

=====

0. Definitions

-----

Throughout this license, the terms 'package', 'FreeType Project', and 'FreeType archive' refer to the set of files originally distributed by the authors (David Turner, Robert Wilhelm, and Werner Lemberg) as the 'FreeType Project', be they named as alpha, beta or final release.

`You' refers to the licensee, or person using the project, where `using' is a generic term including compiling the project's source code as well as linking it to form a `program' or `executable'.

This program is referred to as `a program using the FreeType engine'.

This license applies to all files distributed in the original FreeType Project, including all source code, binaries and documentation, unless otherwise stated in the file in its original, unmodified form as distributed in the original archive.

If you are unsure whether or not a particular file is covered by this license, you must contact us to verify this.

The FreeType Project is copyright (C) 1996-2000 by David Turner, Robert Wilhelm, and Werner Lemberg. All rights reserved except as specified below.

### 1. No Warranty

-----

THE FREETYPE PROJECT IS PROVIDED `AS IS' WITHOUT WARRANTY OF ANY KIND, EITHER EXPRESS OR IMPLIED, INCLUDING, BUT NOT LIMITED TO, WARRANTIES OF MERCHANTABILITY AND FITNESS FOR A PARTICULAR PURPOSE. IN NO EVENT WILL ANY OF THE AUTHORS OR COPYRIGHT HOLDERS BE LIABLE FOR ANY DAMAGES CAUSED BY THE USE OR THE INABILITY TO USE, OF THE FREETYPE PROJECT.

### 2. Redistribution

-----

This license grants a worldwide, royalty-free, perpetual and irrevocable right and license to use, execute, perform, compile, display, copy, create derivative works of, distribute and sublicense the FreeType Project (in both source and object code forms) and derivative works thereof for any purpose; and to authorize others to exercise some or all of the rights granted herein, subject to the following conditions:

- o Redistribution of source code must retain this license file (`FTL.TXT') unaltered; any additions, deletions or changes to the original files must be clearly indicated in accompanying documentation. The copyright notices of the unaltered, original files must be preserved in all copies of source files.

- o Redistribution in binary form must provide a disclaimer that states that the software is based in part of the work of the FreeType Team, in the distribution documentation. We also encourage you to put an URL to the FreeType web page in your documentation, though this isn't mandatory.

These conditions apply to any software derived from or based on the FreeType Project, not just the unmodified files. If you use our work, you must acknowledge us. However, no fee need be paid to us.

### 3. Advertising

-----

Neither the FreeType authors and contributors nor you shall use the name of the other for commercial, advertising, or promotional purposes without specific prior written permission.

We suggest, but do not require, that you use one or more of the following phrases to refer to this software in your documentation or advertising materials: `FreeType Project', `FreeType Engine', `FreeType library', or `FreeType Distribution'.

As you have not signed this license, you are not required to accept it. However, as the FreeType Project is copyrighted material, only this license, or another one contracted with the authors, grants you the right to use, distribute, and modify it.

Therefore, by using, distributing, or modifying the FreeType Project, you indicate that you understand and accept all the terms of this license.

#### 4. Contacts

-----

There are two mailing lists related to FreeType:

o [freetype@nongnu.org](mailto:freetype@nongnu.org)

Discusses general use and applications of FreeType, as well as future and wanted additions to the library and distribution.

If you are looking for support, start in this list if you haven't found anything to help you in the documentation.

o [freetype-devel@nongnu.org](mailto:freetype-devel@nongnu.org)

Discusses bugs, as well as engine internals, design issues, specific licenses, porting, etc.

Our home page can be found at

<http://www.freetype.org>

--- end of FTL.TXT ---

The TWAIN Toolkit is distributed as is. The developer and distributors of the TWAIN Toolkit expressly disclaim all implied, express or statutory warranties including, without limitation, the implied warranties of merchantability, noninfringement of third party rights and fitness for a particular purpose. Neither the developers nor the distributors will be liable for damages, whether direct, indirect, special, incidental, or consequential, as a result of the reproduction, modification, distribution or other use of the TWAIN Toolkit.

#### JSON for Modern C++

Copyright (c) 2013-2017 Niels Lohmann

Permission is hereby granted, free of charge, to any person obtaining a copy of this software and associated documentation files (the "Software"), to deal in the Software without restriction, including without limitation the rights to use, copy, modify, merge, publish, distribute, sublicense, and/or sell copies of the Software, and to permit persons to whom the Software is furnished to do so, subject to the following conditions:

The above copyright notice and this permission notice shall be included in all copies or substantial portions of the Software.

THE SOFTWARE IS PROVIDED "AS IS", WITHOUT WARRANTY OF ANY KIND, EXPRESS OR IMPLIED, INCLUDING BUT NOT LIMITED TO THE WARRANTIES OF MERCHANTABILITY, FITNESS FOR A PARTICULAR PURPOSE AND NONINFRINGEMENT. IN NO EVENT SHALL THE AUTHORS OR COPYRIGHT HOLDERS BE LIABLE FOR ANY CLAIM, DAMAGES OR OTHER LIABILITY, WHETHER IN AN ACTION OF CONTRACT, TORT OR OTHERWISE, ARISING FROM, OUT OF OR IN CONNECTION WITH THE SOFTWARE OR THE USE OR OTHER DEALINGS IN THE SOFTWARE.

Copyright (c) 2011 - 2015 ARM LIMITED

All rights reserved.



Redistribution and use in source and binary forms, with or without modification, are permitted provided that the following conditions are met:

- Redistributions of source code must retain the above copyright notice, this list of conditions and the following disclaimer.
- Redistributions in binary form must reproduce the above copyright notice, this list of conditions and the following disclaimer in the documentation and/or other materials provided with the distribution.
- Neither the name of ARM nor the names of its contributors may be used to endorse or promote products derived from this software without specific prior written permission.

THIS SOFTWARE IS PROVIDED BY THE COPYRIGHT HOLDERS AND CONTRIBUTORS "AS IS" AND ANY EXPRESS OR IMPLIED WARRANTIES, INCLUDING, BUT NOT LIMITED TO, THE IMPLIED WARRANTIES OF MERCHANTABILITY AND FITNESS FOR A PARTICULAR PURPOSE ARE DISCLAIMED. IN NO EVENT SHALL COPYRIGHT HOLDERS AND CONTRIBUTORS BE LIABLE FOR ANY DIRECT, INDIRECT, INCIDENTAL, SPECIAL, EXEMPLARY, OR CONSEQUENTIAL DAMAGES (INCLUDING, BUT NOT LIMITED TO, PROCUREMENT OF SUBSTITUTE GOODS OR SERVICES; LOSS OF USE, DATA, OR PROFITS; OR BUSINESS INTERRUPTION) HOWEVER CAUSED AND ON ANY THEORY OF LIABILITY, WHETHER IN CONTRACT, STRICT LIABILITY, OR TORT (INCLUDING NEGLIGENCE OR OTHERWISE) ARISING IN ANY WAY OUT OF THE USE OF THIS SOFTWARE, EVEN IF ADVISED OF THE POSSIBILITY OF SUCH DAMAGE.

Copyright (c) 2014, Kenneth MacKay

All rights reserved.

Redistribution and use in source and binary forms, with or without modification, are permitted provided that the following conditions are met:

- \* Redistributions of source code must retain the above copyright notice, this list of conditions and the following disclaimer.
- \* Redistributions in binary form must reproduce the above copyright notice, this list of conditions and the following disclaimer in the documentation and/or other materials provided with the distribution.

THIS SOFTWARE IS PROVIDED BY THE COPYRIGHT HOLDERS AND CONTRIBUTORS "AS IS" AND ANY EXPRESS OR IMPLIED WARRANTIES, INCLUDING, BUT NOT LIMITED TO, THE IMPLIED WARRANTIES OF MERCHANTABILITY AND FITNESS FOR A PARTICULAR PURPOSE ARE DISCLAIMED. IN NO EVENT SHALL THE COPYRIGHT HOLDER OR CONTRIBUTORS BE LIABLE FOR ANY DIRECT, INDIRECT, INCIDENTAL, SPECIAL, EXEMPLARY, OR CONSEQUENTIAL DAMAGES (INCLUDING, BUT NOT LIMITED TO, PROCUREMENT OF SUBSTITUTE GOODS OR SERVICES; LOSS OF USE, DATA, OR PROFITS; OR BUSINESS INTERRUPTION) HOWEVER CAUSED AND ON ANY THEORY OF LIABILITY, WHETHER IN CONTRACT, STRICT LIABILITY, OR TORT (INCLUDING NEGLIGENCE OR OTHERWISE) ARISING IN ANY WAY OUT OF THE USE OF THIS SOFTWARE, EVEN IF ADVISED OF THE POSSIBILITY OF SUCH DAMAGE.

Copyright (c) 2006, CRYPTOGRAMS by <appro@openssl.org> All rights reserved.

Redistribution and use in source and binary forms, with or without modification, are permitted provided that the following conditions are met:

- \* Redistributions of source code must retain copyright notices, this list of conditions and the following disclaimer.

\* Redistributions in binary form must reproduce the above copyright notice, this list of conditions and the following disclaimer in the documentation and/or other materials provided with the distribution.

\* Neither the name of the CRYPTOGRAMS nor the names of its copyright holder and contributors may be used to endorse or promote products derived from this software without specific prior written permission.

ALTERNATIVELY, provided that this notice is retained in full, this product may be distributed under the terms of the GNU General Public License (GPL), in which case the provisions of the GPL apply INSTEAD OF those given above.

THIS SOFTWARE IS PROVIDED BY THE COPYRIGHT HOLDER AND CONTRIBUTORS "AS IS" AND ANY EXPRESS OR IMPLIED WARRANTIES, INCLUDING, BUT NOT LIMITED TO, THE IMPLIED WARRANTIES OF MERCHANTABILITY AND FITNESS FOR A PARTICULAR PURPOSE ARE DISCLAIMED. IN NO EVENT SHALL THE COPYRIGHT OWNER OR CONTRIBUTORS BE LIABLE FOR ANY DIRECT, INDIRECT, INCIDENTAL, SPECIAL, EXEMPLARY, OR CONSEQUENTIAL DAMAGES (INCLUDING, BUT NOT LIMITED TO, PROCUREMENT OF SUBSTITUTE GOODS OR SERVICES; LOSS OF USE, DATA, OR PROFITS; OR BUSINESS INTERRUPTION) HOWEVER CAUSED AND ON ANY THEORY OF LIABILITY, WHETHER IN CONTRACT, STRICT LIABILITY, OR TORT (INCLUDING NEGLIGENCE OR OTHERWISE) ARISING IN ANY WAY OUT OF THE USE OF THIS SOFTWARE, EVEN IF ADVISED OF THE POSSIBILITY OF SUCH DAMAGE.

ISC License

Copyright (c) 2013-2017

Frank Denis <j at pureftpd dot org>

Permission to use, copy, modify, and/or distribute this software for any purpose with or without fee is hereby granted, provided that the above copyright notice and this permission notice appear in all copies.

THE SOFTWARE IS PROVIDED "AS IS" AND THE AUTHOR DISCLAIMS ALL WARRANTIES WITH REGARD TO THIS SOFTWARE INCLUDING ALL IMPLIED WARRANTIES OF MERCHANTABILITY AND FITNESS. IN NO EVENT SHALL THE AUTHOR BE LIABLE FOR ANY SPECIAL, DIRECT, INDIRECT, OR CONSEQUENTIAL DAMAGES OR ANY DAMAGES WHATSOEVER RESULTING FROM LOSS OF USE, DATA OR PROFITS, WHETHER IN AN ACTION OF CONTRACT, NEGLIGENCE OR OTHER TORTIOUS ACTION, ARISING OUT OF OR IN CONNECTION WITH THE USE OR PERFORMANCE OF THIS SOFTWARE.

Copyright (c) 2008 The NetBSD Foundation, Inc.

All rights reserved.

This code is derived from software contributed to The NetBSD Foundation by Lennart Augustsson (lennart@augustsson.net) at Carlstedt Research & Technology.

Redistribution and use in source and binary forms, with or without modification, are permitted provided that the following conditions are met:

1. Redistributions of source code must retain the above copyright notice, this list of conditions and the following disclaimer.

2. Redistributions in binary form must reproduce the above copyright notice, this list of conditions and the following disclaimer in the documentation and/or other materials provided with the distribution.

THIS SOFTWARE IS PROVIDED BY THE NETBSD FOUNDATION, INC. AND CONTRIBUTORS "AS IS" AND ANY EXPRESS OR IMPLIED WARRANTIES, INCLUDING, BUT NOT LIMITED TO, THE IMPLIED WARRANTIES OF MERCHANTABILITY AND FITNESS FOR A PARTICULAR PURPOSE ARE DISCLAIMED. IN NO EVENT SHALL THE FOUNDATION OR CONTRIBUTORS BE LIABLE FOR ANY DIRECT, INDIRECT, INCIDENTAL, SPECIAL, EXEMPLARY, OR CONSEQUENTIAL DAMAGES (INCLUDING, BUT NOT LIMITED TO, PROCUREMENT OF SUBSTITUTE GOODS OR SERVICES; LOSS OF USE, DATA, OR PROFITS; OR BUSINESS INTERRUPTION) HOWEVER CAUSED AND ON ANY THEORY OF LIABILITY, WHETHER IN CONTRACT, STRICT LIABILITY, OR TORT (INCLUDING NEGLIGENCE OR OTHERWISE) ARISING IN ANY WAY OUT OF THE USE OF THIS SOFTWARE, EVEN IF ADVISED OF THE POSSIBILITY OF SUCH DAMAGE.

Copyright (c) 2000 Intel Corporation

All rights reserved.

Redistribution and use in source and binary forms, with or without modification, are permitted provided that the following conditions are met:

- \* Redistributions of source code must retain the above copyright notice, this list of conditions and the following disclaimer.
- \* Redistributions in binary form must reproduce the above copyright notice, this list of conditions and the following disclaimer in the documentation and/or other materials provided with the distribution.
- \* Neither name of Intel Corporation nor the names of its contributors may be used to endorse or promote products derived from this software without specific prior written permission.

THIS SOFTWARE IS PROVIDED BY THE COPYRIGHT HOLDERS AND CONTRIBUTORS "AS IS" AND ANY EXPRESS OR IMPLIED WARRANTIES, INCLUDING, BUT NOT LIMITED TO, THE IMPLIED WARRANTIES OF MERCHANTABILITY AND FITNESS FOR A PARTICULAR PURPOSE ARE DISCLAIMED. IN NO EVENT SHALL INTEL OR CONTRIBUTORS BE LIABLE FOR ANY DIRECT, INDIRECT, INCIDENTAL, SPECIAL, EXEMPLARY, OR CONSEQUENTIAL DAMAGES (INCLUDING, BUT NOT LIMITED TO, PROCUREMENT OF SUBSTITUTE GOODS OR SERVICES; LOSS OF USE, DATA, OR PROFITS; OR BUSINESS INTERRUPTION) HOWEVER CAUSED AND ON ANY THEORY OF LIABILITY, WHETHER IN CONTRACT, STRICT LIABILITY, OR TORT (INCLUDING NEGLIGENCE OR OTHERWISE) ARISING IN ANY WAY OUT OF THE USE OF THIS SOFTWARE, EVEN IF ADVISED OF THE POSSIBILITY OF SUCH DAMAGE.

Lua

Copyright © 1994–2014 Lua.org, PUC-Rio.

Permission is hereby granted, free of charge, to any person obtaining a copy of this software and associated documentation files (the "Software"), to deal in the Software without restriction, including without limitation

the rights to use, copy, modify, merge, publish, distribute, sublicense, and/or sell copies of the Software, and to permit persons to whom the Software is furnished to do so, subject to the following conditions:

The above copyright notice and this permission notice shall be included in all copies or substantial portions of the Software.

THE SOFTWARE IS PROVIDED "AS IS", WITHOUT WARRANTY OF ANY KIND, EXPRESS OR IMPLIED, INCLUDING BUT NOT LIMITED TO THE WARRANTIES OF MERCHANTABILITY, FITNESS FOR A PARTICULAR PURPOSE AND NONINFRINGEMENT. IN NO EVENT SHALL THE AUTHORS OR COPYRIGHT HOLDERS BE LIABLE FOR ANY CLAIM, DAMAGES OR OTHER LIABILITY, WHETHER IN AN ACTION OF CONTRACT, TORT OR OTHERWISE, ARISING FROM, OUT OF OR IN CONNECTION WITH THE SOFTWARE OR THE USE OR OTHER DEALINGS IN THE SOFTWARE.

#### LuaSocket

LuaSocket 2.0.2 license  
Copyright © 2004-2007 Diego Nehab

Permission is hereby granted, free of charge, to any person obtaining a copy of this software and associated documentation files (the "Software"), to deal in the Software without restriction, including without limitation the rights to use, copy, modify, merge, publish, distribute, sublicense, and/or sell copies of the Software, and to permit persons to whom the Software is furnished to do so, subject to the following conditions:

The above copyright notice and this permission notice shall be included in all copies or substantial portions of the Software.

THE SOFTWARE IS PROVIDED "AS IS", WITHOUT WARRANTY OF ANY KIND, EXPRESS OR IMPLIED, INCLUDING BUT NOT LIMITED TO THE WARRANTIES OF MERCHANTABILITY, FITNESS FOR A PARTICULAR PURPOSE AND NONINFRINGEMENT. IN NO EVENT SHALL THE AUTHORS OR COPYRIGHT HOLDERS BE LIABLE FOR ANY CLAIM, DAMAGES OR OTHER LIABILITY, WHETHER IN AN ACTION OF CONTRACT, TORT OR OTHERWISE, ARISING FROM, OUT OF OR IN CONNECTION WITH THE SOFTWARE OR THE USE OR OTHER DEALINGS IN THE SOFTWARE.

#### LuneScript

Copyright (c) 2018 ifritJP

Permission is hereby granted, free of charge, to any person obtaining a copy of this software and associated documentation files (the "Software"), to deal in the Software without restriction, including without limitation the rights to use, copy, modify, merge, publish, distribute, sublicense, and/or sell copies of the Software, and to permit persons to whom the Software is furnished to do so, subject to the following conditions:

The above copyright notice and this permission notice shall be included in all copies or substantial portions of the Software.

THE SOFTWARE IS PROVIDED "AS IS", WITHOUT WARRANTY OF ANY KIND, EXPRESS OR IMPLIED, INCLUDING BUT NOT LIMITED TO THE WARRANTIES OF MERCHANTABILITY, FITNESS FOR A PARTICULAR PURPOSE AND NONINFRINGEMENT. IN NO EVENT SHALL THE AUTHORS OR COPYRIGHT HOLDERS BE LIABLE FOR ANY CLAIM, DAMAGES OR OTHER LIABILITY, WHETHER IN AN ACTION OF CONTRACT, TORT OR OTHERWISE, ARISING FROM, OUT OF OR IN CONNECTION WITH THE SOFTWARE OR THE USE OR OTHER DEALINGS IN THE SOFTWARE.

The following applies only to products supporting Wi-Fi.

(c) 2009-2013 by Jeff Mott. All rights reserved.

Redistribution and use in source and binary forms, with or without modification, are permitted provided that the following conditions are met:

- \* Redistributions of source code must retain the above copyright notice, this list of conditions, and the following disclaimer.
- \* Redistributions in binary form must reproduce the above copyright notice, this list of conditions, and the following disclaimer in the documentation or other materials provided with the distribution.
- \* Neither the name CryptoJS nor the names of its contributors may be used to endorse or promote products derived from this software without specific prior written permission.

THIS SOFTWARE IS PROVIDED BY THE COPYRIGHT HOLDERS AND CONTRIBUTORS "AS IS," AND ANY EXPRESS OR IMPLIED WARRANTIES, INCLUDING, BUT NOT LIMITED TO, THE IMPLIED WARRANTIES OF MERCHANTABILITY AND FITNESS FOR A PARTICULAR PURPOSE, ARE DISCLAIMED. IN NO EVENT SHALL THE COPYRIGHT HOLDER OR CONTRIBUTORS BE LIABLE FOR ANY DIRECT, INDIRECT, INCIDENTAL, SPECIAL, EXEMPLARY, OR CONSEQUENTIAL DAMAGES (INCLUDING, BUT NOT LIMITED TO, PROCUREMENT OF SUBSTITUTE GOODS OR SERVICES; LOSS OF USE, DATA, OR PROFITS; OR BUSINESS INTERRUPTION) HOWEVER CAUSED AND ON ANY THEORY OF LIABILITY, WHETHER IN CONTRACT, STRICT LIABILITY, OR TORT (INCLUDING NEGLIGENCE OR OTHERWISE) ARISING IN ANY WAY OUT OF THE USE OF THIS SOFTWARE, EVEN IF ADVISED OF THE POSSIBILITY OF SUCH DAMAGE.

## **Basic Operation**

---

### ➤ **Printer Parts**

- Printer Parts
- Optional accessories

### ➤ **Printing procedure**

### ➤ **Canceling print jobs**

### ➤ **Pausing Printing**

## Printer Parts

---

### ► Printer Parts

- Front
- Side
- Top Cover (Inside)
- Roll Paper Cover (Inside)
- Carriage
- Ink Tank Cover (Inside)
- Operation Panel

### ► Optional accessories

- Stand
- Roll Holder Set

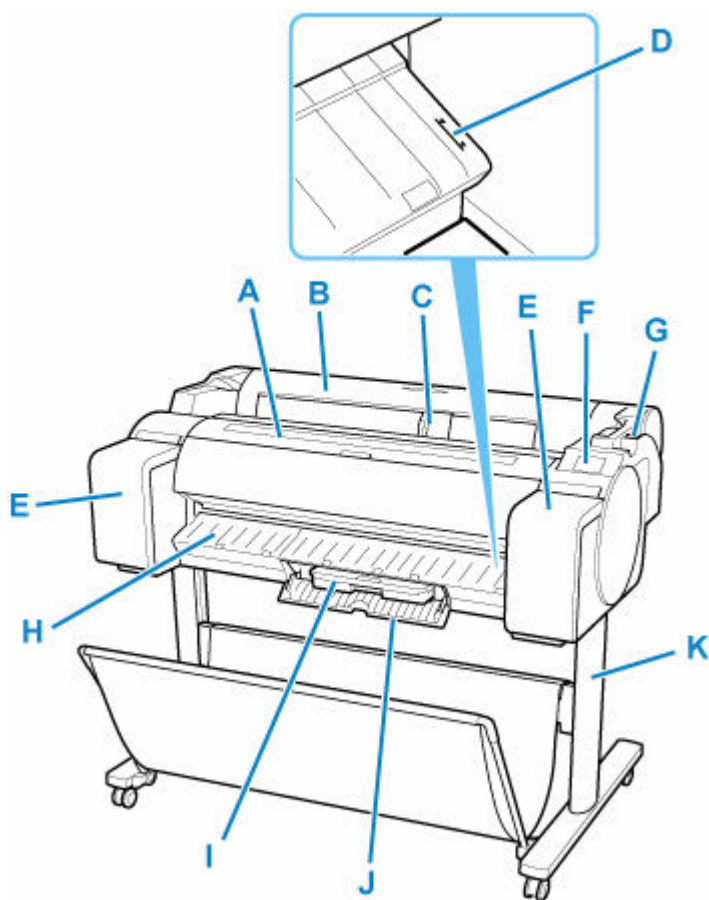
## **Printer Parts**

---

- **Front**
- **Side**
- **Top Cover (Inside)**
- **Roll Paper Cover (Inside)**
- **Carriage**
- **Ink Tank Cover (Inside)**
- **Operation Panel**



## Front



### (A) Top Cover

Open this cover to install the print head and remove any jammed paper from inside the printer, as needed. (See "[Top Cover \(Inside\)](#).")

### (B) Roll Paper Cover

Open this cover to load rolls. (See "[Roll Paper Cover \(Inside\)](#).")

### (C) Width Guide

When loading the sheets, move the guide to match the paper size.

### (D) Paper Alignment Line

A white line for alignment of paper.

### (E) Ink Tank Cover

Open this cover to replace the ink tank. (See "[Ink Tank Cover \(Inside\)](#).")

### (F) Operation Panel

Use this screen to operate the printer and check the printer status. (See "[Operation Panel](#).")

### (G) Release Lever

When releasing the Paper Retainer, push this lever back.

### (H) Output Guide

Supports output paper.

**(I) Maintenance Cartridge**

Ink used for maintenance purposes such as head cleaning is absorbed. (Replace the cartridge when it is full.)

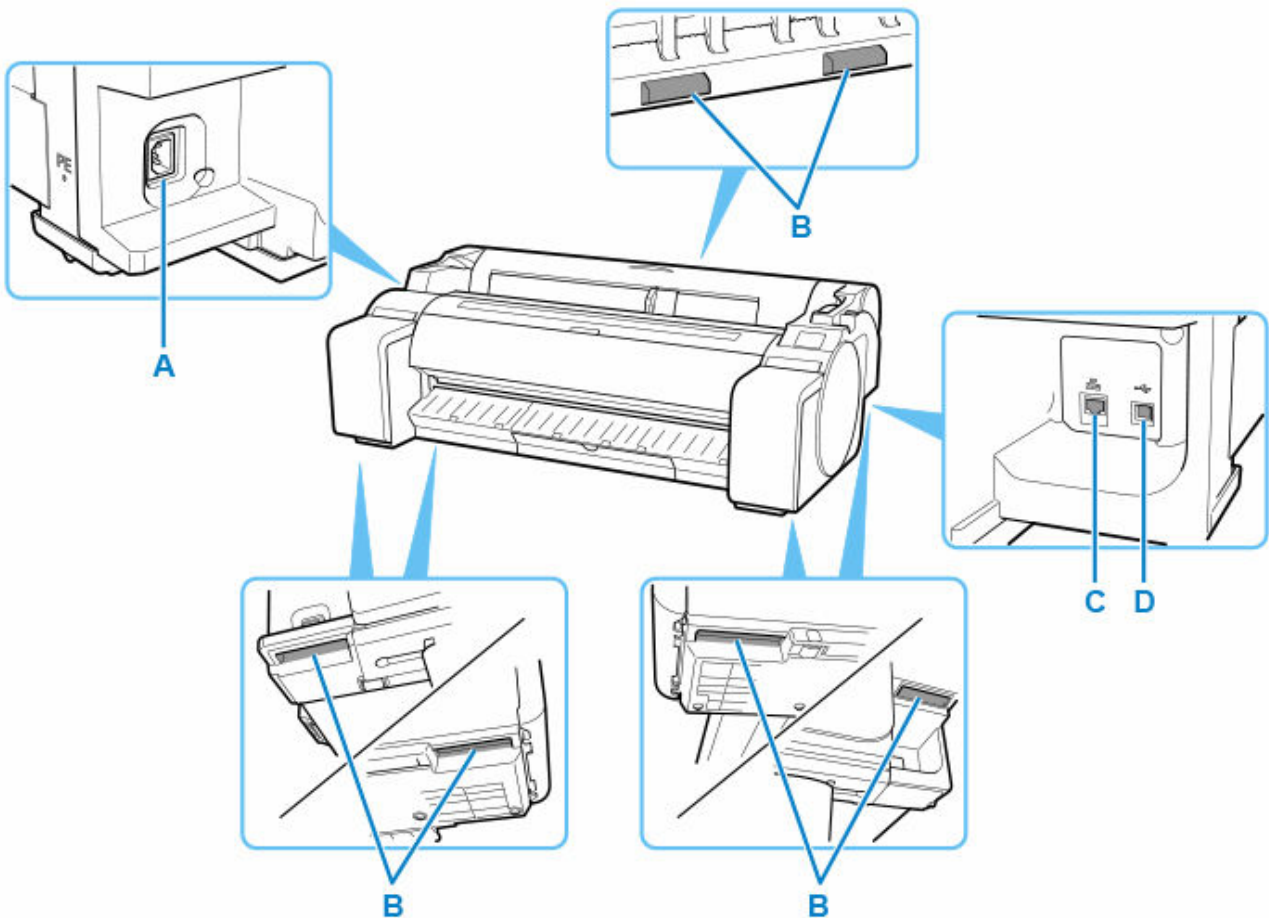
**(J) Maintenance Cartridge Cover**

Open this cover to replace the maintenance cartridge.

**(K) Stand**

A stand that holds the printer. Equipped with casters to facilitate moving it. (See "[Stand](#).")

## Side



**(A) Power Cord Connector**

Connect the power cord to this connector.

**(B) Carrying Grips**

When carrying the printer, have three or more people hold it by these handles under both sides. Furthermore, hold the left and right of these parts when moving the printer with a stand.

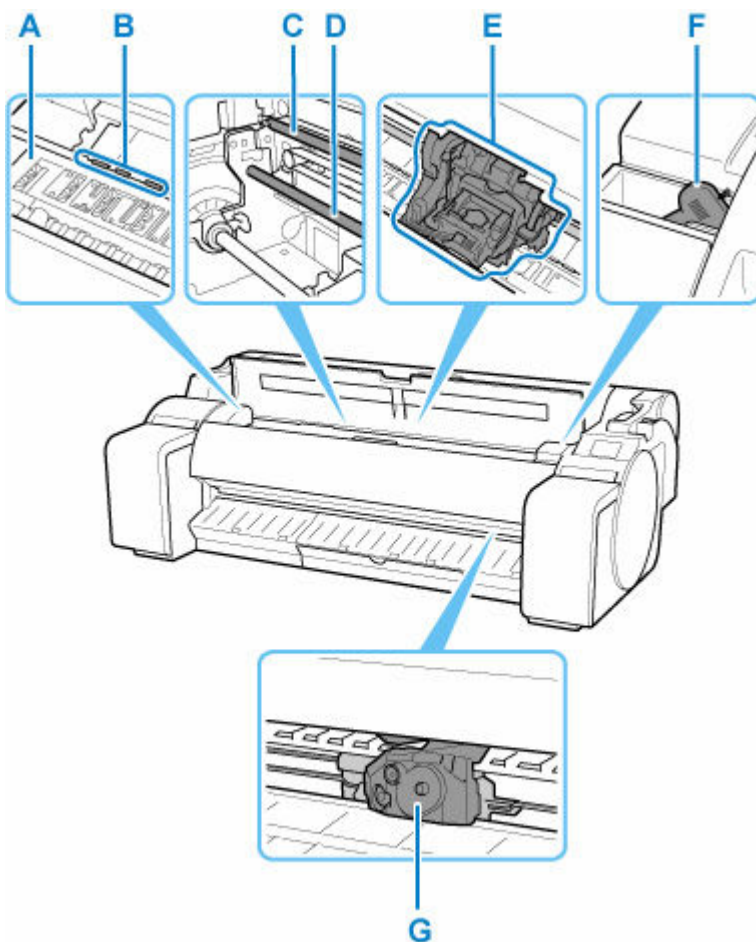
**(C) Wired LAN Connector**

Connect an Ethernet cable to this port. The lamp is lit if the Ethernet cable is connected correctly and communication is possible between the computer and printer.

**(D) USB Port**

Connect a USB cable to this port. The printer is compatible with Hi-Speed USB connections.

## Top Cover (Inside)



**(A) Platen**

The print head moves across the platen to print.

**(B) Paper Retainer**

Important in supplying the paper. This retainer holds paper as it is fed.

**(C) Linear Scale**

The linear scale serves a key role in detecting the carriage position.

**(D) Carriage Shaft**

The Carriage slides along this shaft.

**(E) Carriage**

Moves the print head. The carriage serves a key role in printing. (See "[Carriage](#).")

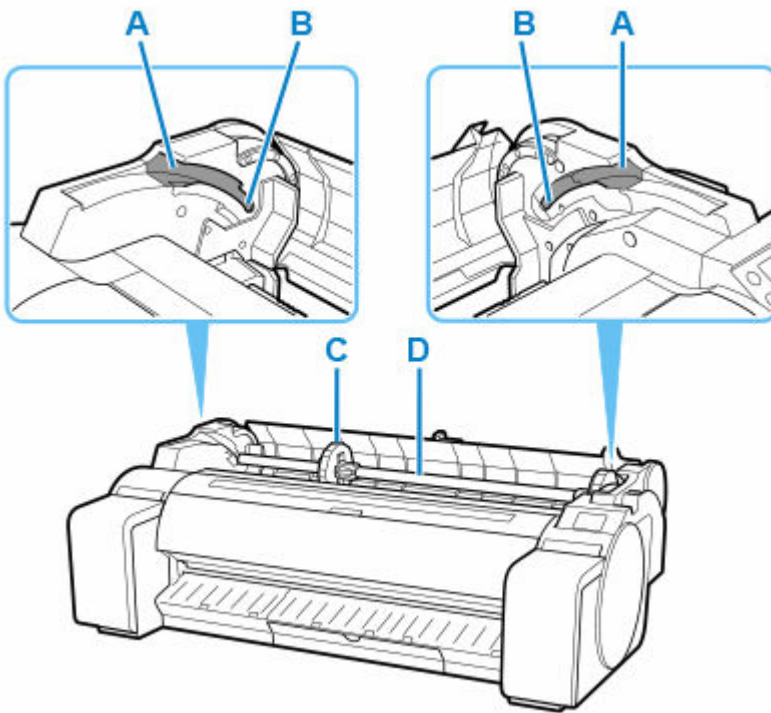
**(F) Cleaning Brush**

When cleaning inside the printer under the top cover, use this brush to sweep away paper dust on the platen.

**(G) Cutter Blade**

A round-bladed cutter for automatic paper cutting.

## Roll Paper Cover (Inside)



**(A) Slide Guide**

Move the roll holder along this guide.

**(B) Roll Holder Slot**

Slide the roll holder into this slot.

**(C) Holder Stopper**

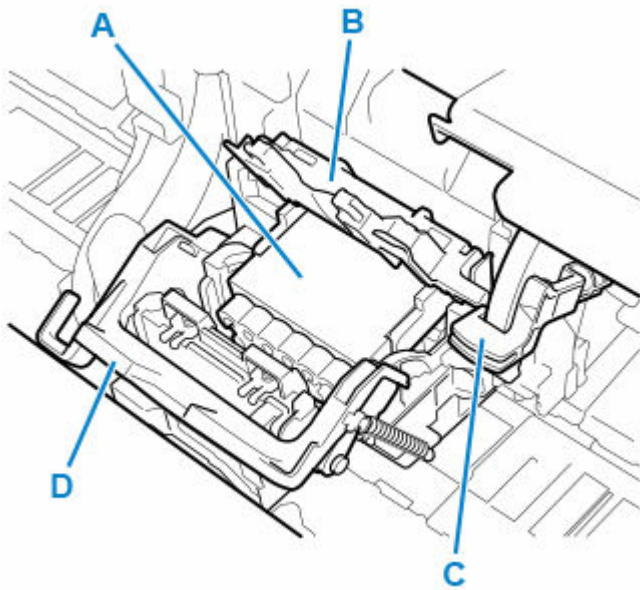
Secure the roll on the roll holder with this part.

**(D) Roll Holder**

Load the roll on this holder.

## Carriage

---



**(A) Print Head**

The print head is equipped with ink nozzles. The carriage serves a key role in printing.

**(B) Print Head Locking Cover**

Secures the print head.

**(C) Angle Adjustment Lever**

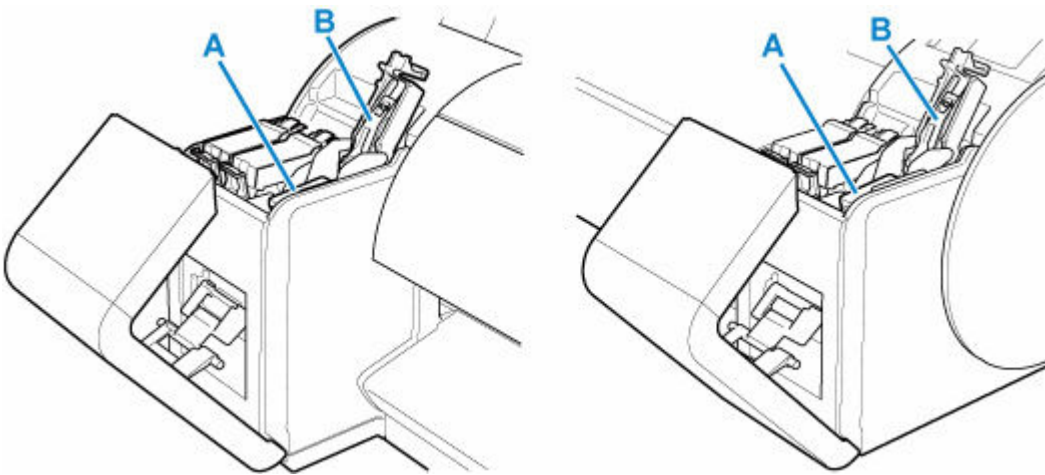
Fine-tunes the line misalignment when printing.

**(D) Print Head Lock Lever**

Lock print head locking cover.

## Ink Tank Cover (Inside)

---



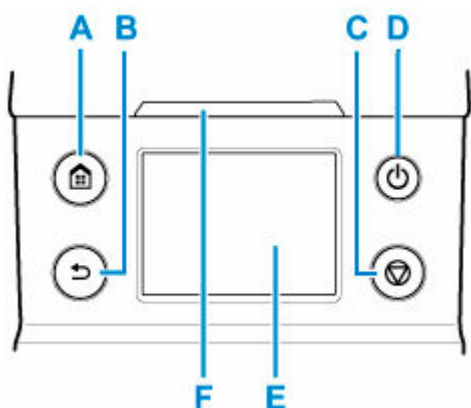
**(A) Ink Tank**

Cartridges of ink in various colors.

**(B) Ink Tank Lock Lever**

A lever that locks the ink tank in place and protects it. Lift and press down the lever when replacing an ink tank.

## Operation Panel



### A: HOME button

The HOME screen appears.

➡ [Home Screen Menu Composition](#)

### B: Back button

Displays the screen before the current screen.

### C: Stop button

Cancels print jobs in progress and ends the ink drying period.

### D: ON button/ON lamp

Turns the printer on and off.

➡ [Turning the Printer On and Off](#)

The **ON** lamp is lit when the printer is on or in Sleep mode.

### E: Touch Screen

Shows printer menus, as well as the printer status and messages. You can select menu items and display buttons by gently touching the screen with your fingertip.

➡ [Home Screen Menu Composition](#)

### F: Status lamp

- Flashing (white)

During printing, this lamp flashes when the printer is receiving or processing print jobs. Otherwise, this lamp flashes when the print job is paused or the printer is updating the firmware.

- Lit (orange)

A warning message is displayed.

- Flashing (orange)

An error message is displayed.

- Off

There are no active print jobs, warnings, or errors.



## ▶▶ Note

- When the printer is in Sleep mode, to restore the display, press the buttons on the operation panel or touch the touch screen.
- When Operation panel lock is enabled, touch screen operations are invalid. For details on Operation panel lock, see [Changeable Setting Items Using Remote UI](#).

## Optional accessories

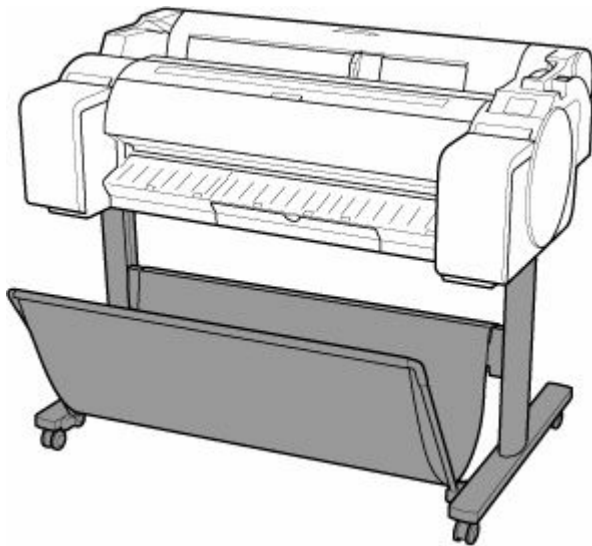
---

- **Stand**
- **Roll Holder Set**

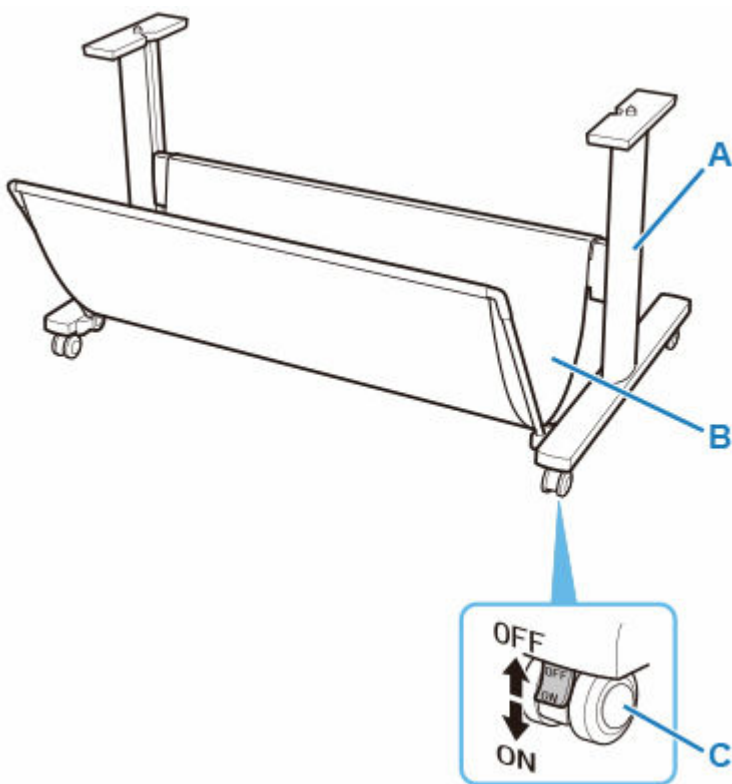
## Stand

The following Stand can be used with the printer.

- GP-300 / GP-5300 : Printer Stand SD-33  
GP-200 / GP-5200 : Printer Stand SD-24



## Stand Parts



### (A) Stand

A stand that holds the printer. It is equipped with casters to facilitate movement.

**(B) Basket**

Catches the ejected printed documents.

**(C) Locking Caster**

The casters can be locked securely. When moving the printer, be sure to unlock the 4 casters. If you move it while the locking casters are locked, the floor may become scratched.

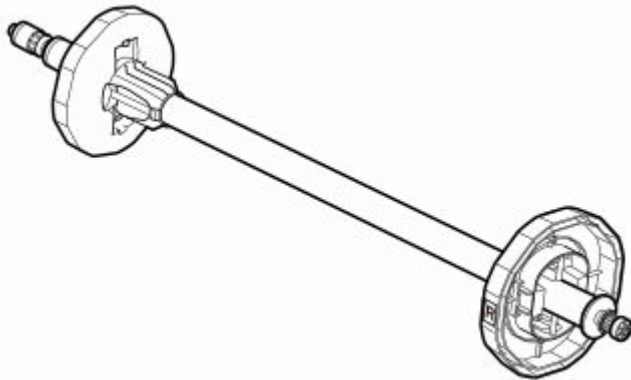
**»» Note**

- For instructions on how to use the basket, see "[Using the Basket](#)".
- Depending on the product, a stand may not be provided.

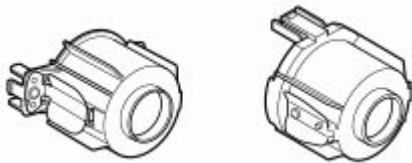
## Roll Holder Set

Load roll paper on the roll holder and then load the holder in the printer. You can use the roll holder with both 2-inch and 3-inch paper cores. However, if using 3-inch core roll paper, attach the 3-inch paper core attachment. (See "[Loading Rolls on the Roll Holder](#)").

- GP-300 / GP-5300 : Roll Holder Set RH2-35
- GP-200 / GP-5200 : Roll Holder Set RH2-28
  - Roll Holder (for 2- and 3-inch paper cores)



- 3-Inch Paper Core Attachment (×2)



## **Printing procedure**

---

- **Turning the Printer On and Off**
- **Loading and Printing on Rolls**
- **Loading and Printing on Sheets**
- **Printing in Windows**
- **Printing from macOS**

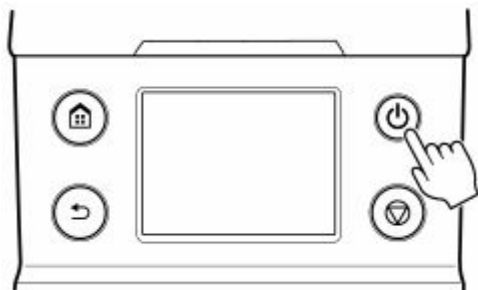
## Turning the Printer On and Off

### Turning the printer on

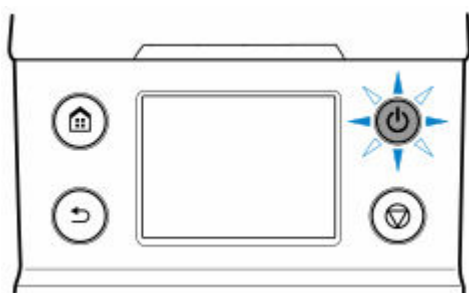
1. Press **ON** button to turn on printer.

The **ON** button lights up and the printer will now start up.

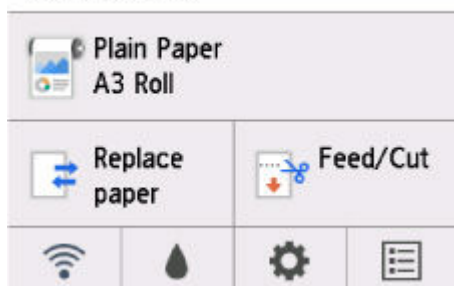
The Canon logo appears on the operation panel, and then "**Starting the system...Please wait momentarily**" appears.



When startup is finished, the printer enters standby mode.



#### Ready to print



The printer will not enter standby mode in the following situations. Take action as necessary.

- **The top cover is open**  
Close the top cover.
- **The ink tank cover is open**  
Close the ink tank cover.
- **The print head is not installed**  
➔ [Replacing the Print Head](#)

- **The ink tank is not installed**

➔ [Replacing Ink Tanks](#)

- **If "Error" is shown on the operation panel**

Check the message on the operation panel and take action as necessary.

- **The ON button and Status lamp never light up, and nothing appears on the operation panel**

Check the connection at the plug and electrical outlet.

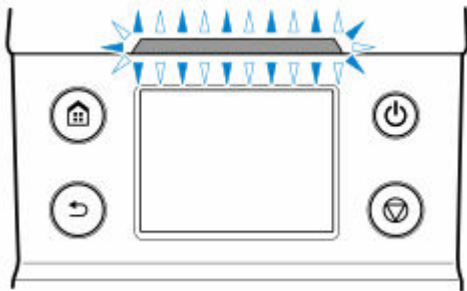
## Turning the printer off

### ▶▶▶ Important

- Never disconnect the printer's power supply or unplug it during a print job. This may damage the printer.

1. Make sure no print jobs are in progress.

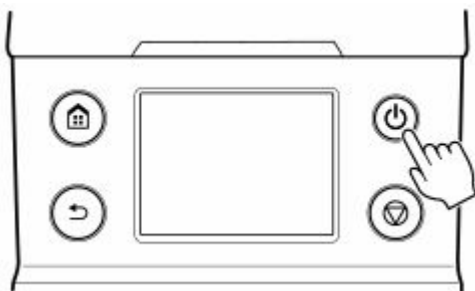
While the **Status** lamp is flashing, the printer is running. The color of the lamp indicates the following states.



If the **Status** lamp is flashing orange, check the message on the operation panel and take action as necessary.

If the **Status** lamp is flashing white, the printer is printing, receiving data, etc. Turn off the power after the **Status** lamp turns off.

2. Hold down the **ON** button for more than a second.



"Turning off... Please wait momentarily" appears on the operation panel, and the printer turns off.



## Loading and Printing on Rolls

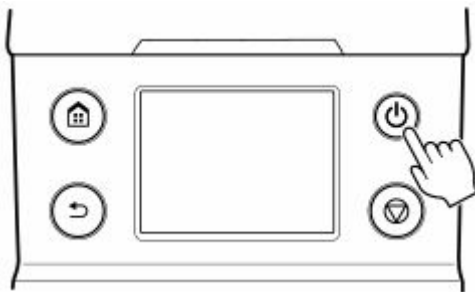
These are the basic steps for loading and printing on rolls.

Follow these steps to load and print on rolls.

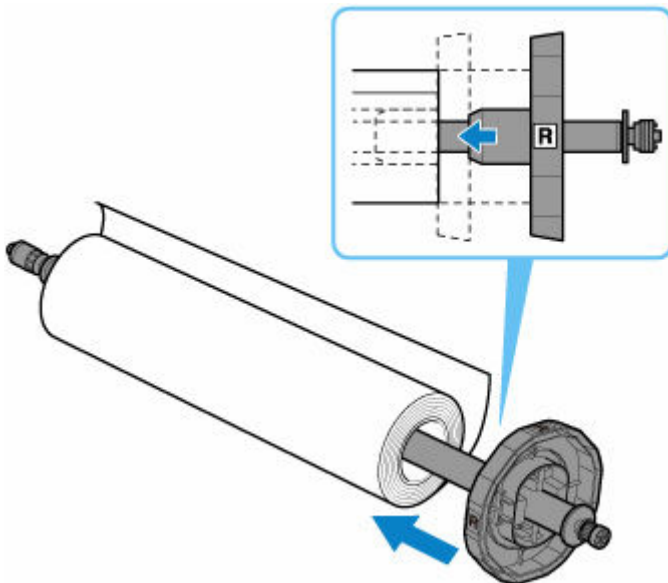
### ▶▶▶ Note

- For details on roll paper sizes and types that can be used, see "[Paper Sizes](#)" or "Paper Information List".
- To wait until the ink dries after printing before cutting the roll, set Drying Time in the printer driver. (See "[Specifying the Ink Drying Time.](#)")
- Once you have used all the paper on a roll, clean the platen. If the platen inside the top cover becomes dirty, it may soil the underside of paper. (See "[Cleaning Inside the Top Cover.](#)")

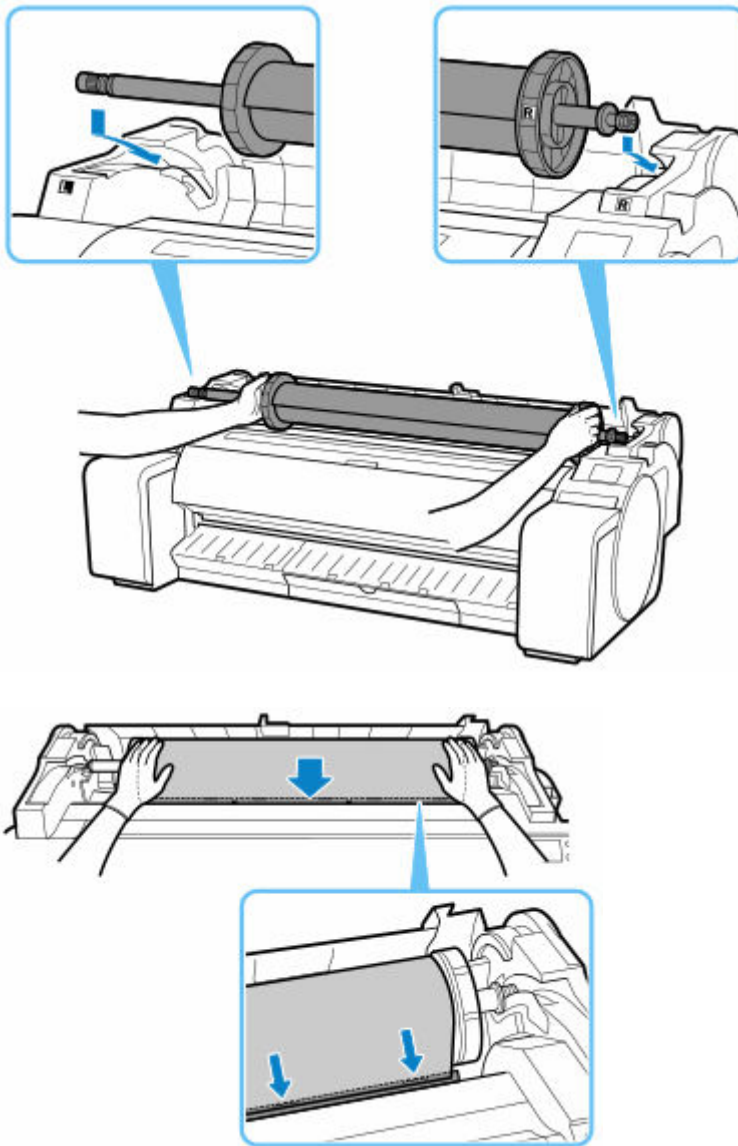
1. Turn the printer on. (See "[Turning the Printer On and Off.](#)")



2. Load a roll on the roll holder. (See "[Loading Rolls on the Roll Holder.](#)")



3. Load the Roll Media in the printer. (See "[Loading Rolls in the Printer.](#)")



4. Select the type of paper. (See "[Changing the Type of Paper.](#)")

▶▶▶ **Note**

- If no barcode has been printed on the roll paper and you have set **Manage remaining roll amount** to **Barcodes**, specify the roll length after selecting the media type. (See "[Specifying the Paper Length.](#)")

5. Complete settings in the printer driver for the type of paper and other details.

- ➔ [How to Open the Printer Driver Setup Window \(Windows\)](#)
- ➔ [How to Open the Printer Driver Setup Dialog \(macOS\)](#)

6. Send the print job.

- ➔ [Printing in Windows](#)
- ➔ [Printing from macOS](#)

Start printing.

**▶▶ Important**

- Do not move the release lever during printing.

## Loading and Printing on Sheets

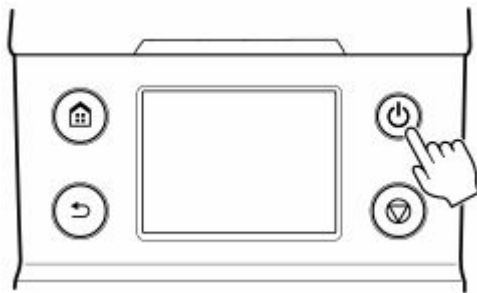
These are the basic steps for loading sheets and then printing.

Follow the steps below to load and print on sheets.

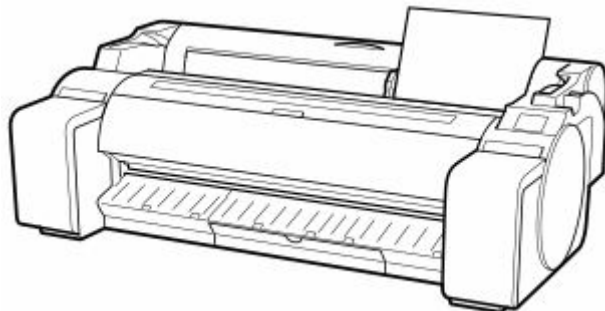
### ▶▶▶ Note

- For details on paper sizes and types that can be loaded, see "[Paper Sizes](#)" or "Paper Information List".
- Borderless printing is not supported on sheets.

1. Turn the printer on. (See "[Turning the Printer On and Off.](#)")



2. Load the sheet. (See "[Loading Sheets in the Printer.](#)")



3. Complete settings in the printer driver for the type of paper and other details.

- ➔ [How to Open the Printer Driver Setup Window \(Windows\)](#)
- ➔ [How to Open the Printer Driver Setup Dialog \(macOS\)](#)

4. Send the print job.

- ➔ [Printing in Windows](#)
- ➔ [Printing from macOS](#)

Start printing.

**»» Important**

- Do not move the release lever until instructions (guidance) for removing the paper are displayed. Moving the release lever during printing will cause printing to stop.

## Printing in Windows

Print from the application menu.

### »» Important

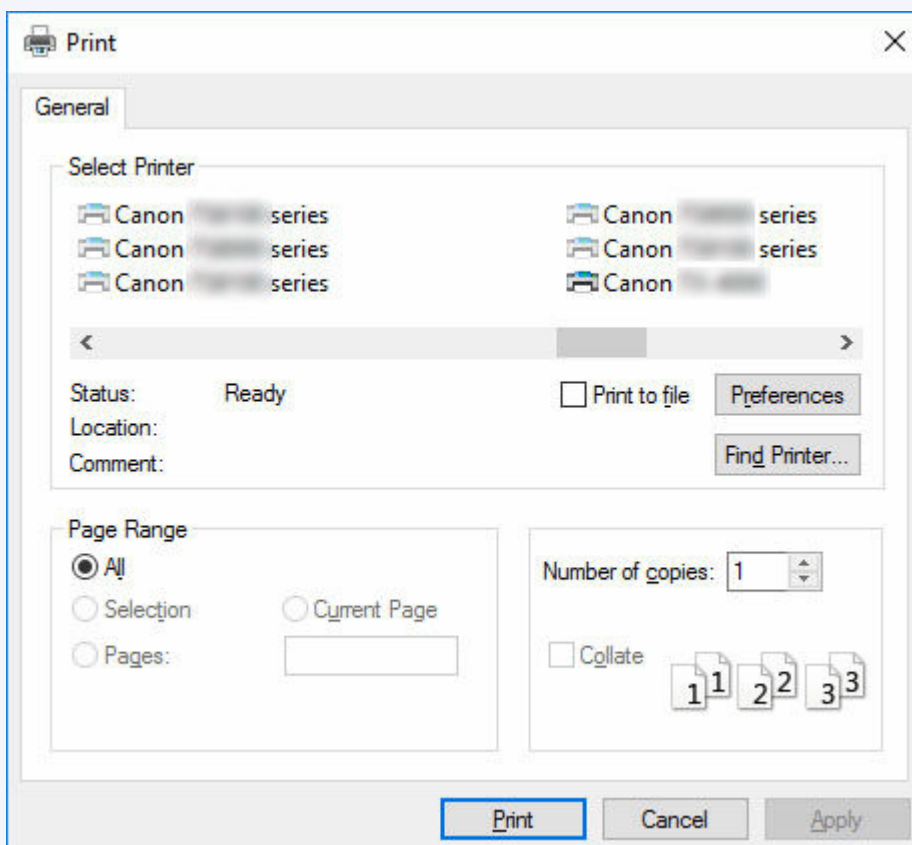
- We recommend exiting unnecessary applications before printing. Running several applications while printing may interrupt the transfer of print data and affect printing quality.

1. In the source application, select **Print** from the **File** menu to display the dialog box for printing conditions.
2. After confirming that the printer is selected in the dialog box, click **Print** or **OK** to start printing.

### »» Note

- The appearance of the dialog box varies depending on the software application. In most cases, the dialog box includes basic printing options and enables you to choose the printer, specify the range of pages, number of copies, and so on.

Example: Print dialog box displayed by the application



- If another printer is selected, select the printer you want to use under **Select Printer** or in the dialog box displayed after clicking **Printer**.

You can use the printer driver dialog box to configure various printing settings such as for enlarged or reduced printing and borderless printing. You can open the printer driver dialog box from the application software or from the operating system menu. For details, see "How to Open the Printer Driver Setup Window" (Windows) or "[How to Open the Printer Driver Setup Dialog](#)" (macOS).

## Printing from macOS

Print from the application menu after registering the printer.

### »» Important

- We recommend exiting unnecessary applications before printing. Running several applications while printing may interrupt the transfer of print data and affect printing quality.

## Registering the printer

The printer needs to be registered in **Print & Scan** (identified as Printers & Scanners or **Print & Fax** in other versions of macOS X) in **System Preferences** before printing.

For instructions on registering printers, see "[Sharing the Printer on a Network \(macOS\)](#)."

### »» Important

- During this setup process, the printer will not be listed among available printers if it is off or disconnected.

## Printing from the application software

1. In the application software, select **Print** from the **File** menu to display the dialog box for printing conditions.

### »» Note

- This dialog box includes basic printing options and enables you to choose the printer, specify the range of pages, number of copies, and so on.

➔ [Print Dialog](#) (macOS)

2. Select the printer in the **Printer** list.

3. Click **Print** to start printing.

You can make various settings from the print dialog box pop-up menu to change the printing method, including enlarged and reduced printing, and borderless printing.



## **Canceling print jobs**

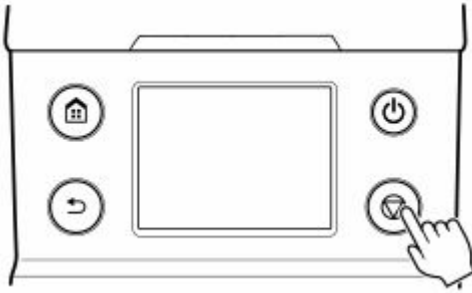
---

- **Canceling Print Jobs from the Control Panel**
- **Canceling Print Jobs from Windows**
- **Canceling Print Jobs from macOS**

## Canceling Print Jobs from the Control Panel

---

To cancel printing or reception of print jobs, press the **Stop** button on the operation panel.



When you press the **Stop** button during printing, the printer operation varies depending on the current status.

- **You press the Stop button before printing starts**

Pressing the **Stop** button before printing starts displays a confirmation message. To cancel the print job, select **Yes**.

- **You press the Stop button during printing**

Pressing the **Stop** button during printing displays a confirmation message. To cancel the print job immediately, select **Yes**.

## Canceling Print Jobs from Windows

In the printer window, you can cancel jobs that are being sent to the printer.

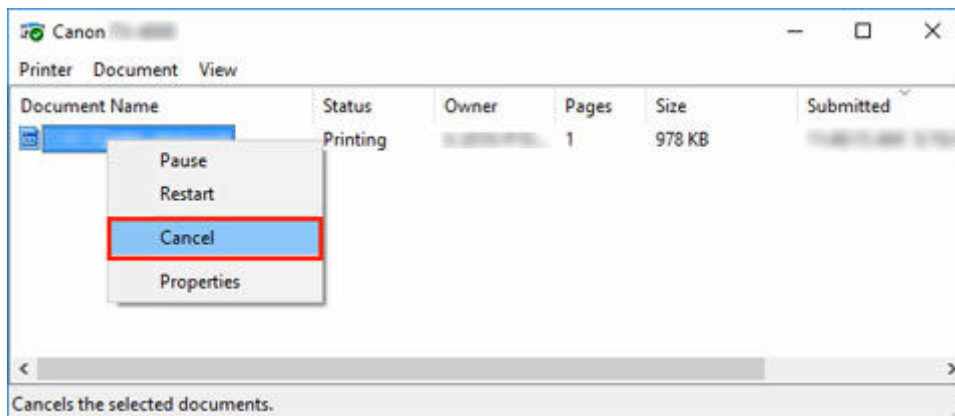
Using Canon IJ Status Monitor, you can cancel print jobs that have already been received by the printer or that are currently being printed.

1. Click the printer icon in the taskbar to display the printer window.

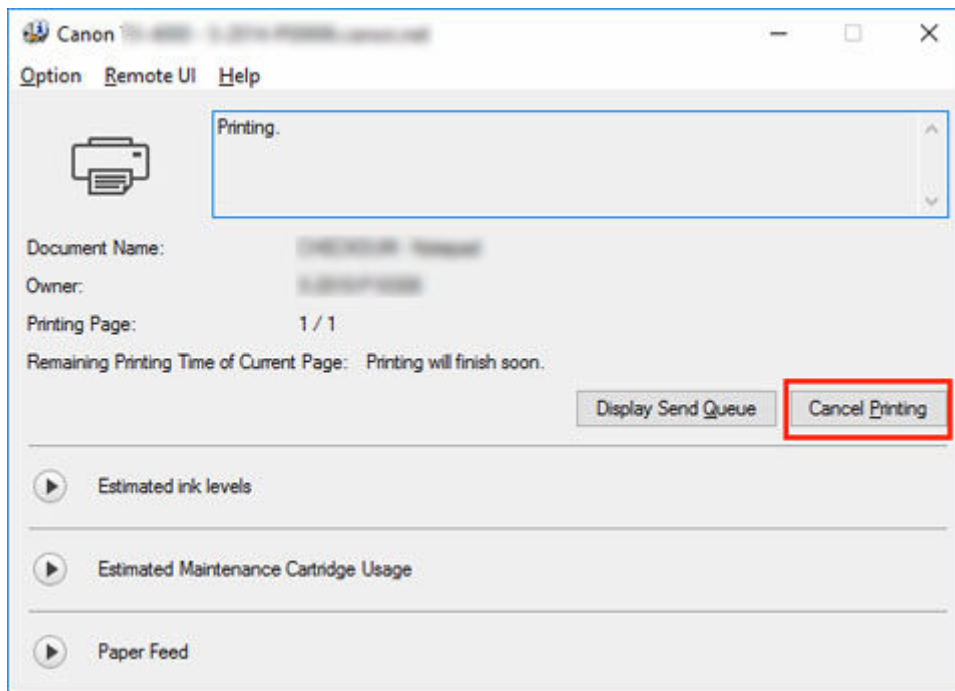
### ▶▶▶ Note

- You can proceed from the folder for configuring the printer settings in the OS you are using.  
For example, in Windows 7, open the **Devices and Printers** window from the **start** menu and double-click the printer icon.

2. Right-click the job to cancel and select **Cancel**.



3. If job to be canceled is not shown in printer window (that is, if print data has already been received by printer), click taskbar icon to display Canon IJ Status Monitor.
4. Click **Cancel Printing**.



▶▶▶ **Note**

- The screen may differ slightly depending on the model you are using.

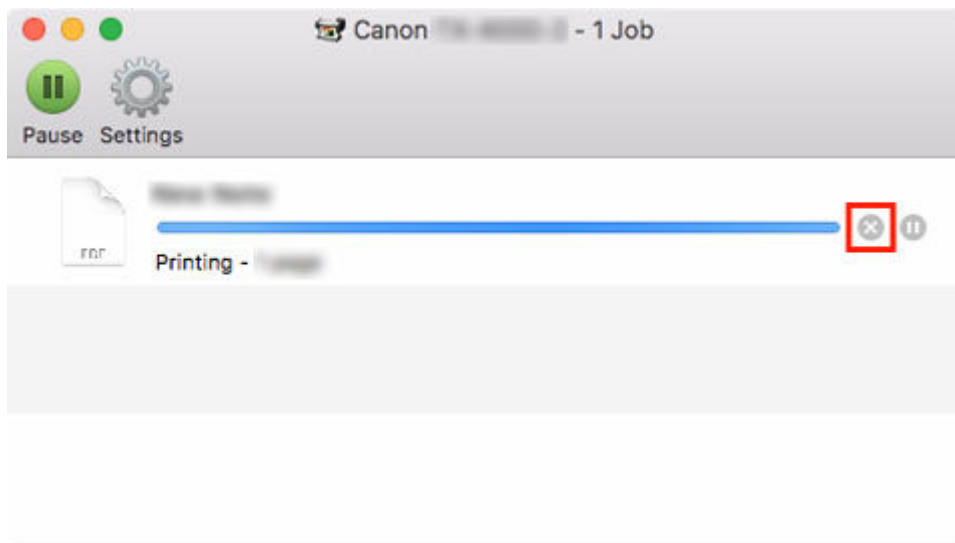
## Canceling Print Jobs from macOS

In the printer window, you can cancel jobs that are being sent to the printer.

### ▶▶▶ Note

- Print jobs are shown in the printer window while they are being sent from the computer. After transmission, jobs are not displayed even during printing.

1. Click the printer icon in the **Dock** to display the printer window.
2. Either click ✕ for the job to cancel printing or select the job to cancel printing and then click **Delete** to delete the job.



### ▶▶▶ Note

- If the job to be canceled is not shown in the printer window (that is, if the print data has already been received by the printer), you can cancel printing from the operation panel on the printer or from Remote UI. For details, "[Canceling Print Jobs from the Control Panel](#)" or see "[Deleting Print Jobs](#)."

## Pausing Printing

---

- ▶ Pausing Printing

## Pausing Printing

During printing, if you set **Pause printing** to **Enable**, the printer enters a state in which printing is paused, after the completion of the printing process when this setting was made.

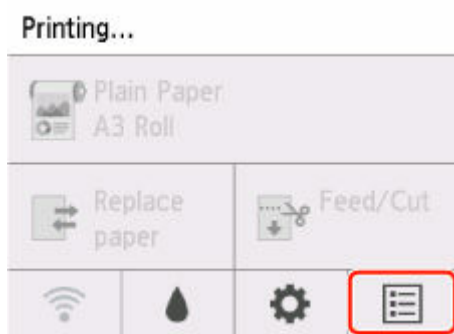
In this state, all printing is not executed.

To restore normal operation after pausing printing, set **Pause printing** to **Disable**.

### ▶▶▶ Note

- In the following cases, the status is cleared even if you do not set **Pause printing** to **Disable**.
  - When paper is advanced
  - If you changed the media type from the paper settings display area

1. Tap  (**Jobs**) on Home screen during printing.



### ▶▶▶ Note

- If the Home screen does not appear, press the **HOME** button.

2. Tap **Pause printing**.

3. Tap **Enable** or **Disable**.

## Handling and Use of Paper

---

### ► Paper

- Types of Paper
- Paper Sizes
- Using Paper Other Than Genuine Paper and feed confirmed Paper
  - Printing on Paper Other Than Genuine Paper and feed confirmed Paper Using Existing Settings
  - Printing on Paper Other Than Genuine Paper and feed confirmed Paper by Adding a Media Type
- Paper Information List
- Updating paper information

### ► Handling rolls

- Loading Rolls on the Roll Holder
- Loading Rolls in the Printer
- Changing the Type of Paper
- Specifying the Paper Length
- Removing the Roll from the Printer
- Removing Rolls From the Roll Holder
- Remove Jammed Roll Paper
- Feeding Roll Paper Manually
- Keeping Track of the Amount of Roll Paper Left
- Specifying the Amount of Extension for Borderless Printing
- Specifying the Ink Drying Time
- Specifying the Cutting Method for Rolls
- Cutting the Leading Edge of Roll Paper Automatically
- Reducing Dust from Cutting Rolls
- Detecting Roll Paper was Replaced While the Power was Off

### ► Handling sheets



- Loading Sheets in the Printer
- Changing the Type of Paper
- Printing From a Desired Starting Point
- Removing Sheets
- Remove a Jammed Sheet
- Specifying the Ink Drying Time

➤ **Basket**

- Using the Basket

➤ **Adding/Editing Media Information**

## **Paper**

---

- **Types of Paper**
- **Paper Sizes**
- **Using Paper Other Than Genuine Paper and feed confirmed Paper**
  - **Printing on Paper Other Than Genuine Paper and feed confirmed Paper Using Existing Settings**
  - **Printing on Paper Other Than Genuine Paper and feed confirmed Paper by Adding a Media Type**
- **Paper Information List**
- **Updating paper information**

## Types of Paper

The following media types are supported by the printer. For details on the media types supported by the printer, see "Paper Information List."

- Plain Paper
- Coated Paper
- Photo Paper
- Glossy Paper
- Proofing Paper
- CAD-dedicated Paper Etc.

The Paper Information List includes the following information.

- Types of paper
- Paper handling
- Paper product specifications
- Use precautions
- Setting of printer driver, operation panel etc.

### ▶▶▶ Note

- For instructions on using paper not included in the Paper Information List, see "[Using Paper Other Than Genuine Paper and feed confirmed Paper.](#)"

### • Method of Updating Supported Paper

Paper that is supported by the printer may be newly released on the Canon website.

To use newly released paper, register the latest paper information on the printer with the Media Configuration Tool. (See "[Updating paper information.](#)")

### ▶▶▶ Important

- Even if you are not using the printer driver, you should install the Media Configuration Tool in order to register the media types for your region in the printer.  
(See "Media Configuration Tool Guide" .)

## Paper Sizes

### Rolls

Rolls that meet the following conditions are supported.

- Outer diameter is 5.9 inches (150 mm) or less
- Inner diameter of paper core: 2 or 3 inches
- Printing side out

<b>Roll Paper Width</b>	GP-300 / GP-5300 : 36.11 in. (917.0 mm) to 8.00 in. (203.2 mm) GP-200 / GP-5200 : 24.02 in. (610.0 mm) to 8.00 in. (203.2 mm)
<b>Roll paper width recommended for borderless printing(*1,*2)</b>	<b>36 in Roll (914.4mm)</b> <b>A0/A1 Roll (841.0mm)</b> <b>B1/B2 Roll (728.0mm)</b> <b>24 in Roll (609.6mm)</b> <b>A1/A2 Roll (594.0mm)</b> <b>B2/B3 Roll (515.0mm)</b> <b>17 in Roll (431.8mm)</b> <b>14 in Roll (355.6mm)</b> <b>10 in Roll (254.0mm)</b>
<b>Minimum Paper Length</b>	8.00 in. (203.2 mm) Excludes cloth/canvas paper.
<b>Maximum Printable Length</b>	59 feet (18 m) depends on the OS and application.
<b>Thickness</b>	3 mil (0.07 mm) to 31 mil (0.8 mm)

\*1:Borderless printing may not be available depending on the media type. For details on media types that can be used for borderless printing, see "Paper Information List."

\*2:You can perform borderless printing without specifying **Roll paper width** recommended for it. As opposed to standard borderless printing, there will be a small margin on the left and right because the paper width is set a little bit smaller than the width of the document.

### Sheets

Sheets of the following sizes are supported.

<b>Sheet Width</b>	GP-300 / GP-5300 : 36.11 in. (917.0 mm) to 8.00 in. (203.2 mm) GP-200 / GP-5200 : 24.02 in. (610.0 mm) to 8.00 in. (203.2 mm)
<b>Minimum Paper Length</b>	11.00 in. (279.4 mm)
<b>Maximum Printable Length</b>	5.2 feet (1.6 m)

<b>Thickness</b>	3 mil (0.07 mm) to 31 mil (0.8 mm)
------------------	------------------------------------

### ▶▶ Note

- For details on non-standard sizes, see "Setting Paper Dimensions (Custom Size)" (Windows) or "[Setting Paper Dimensions \(Custom Size\)](#)" (macOS).
- Borderless printing is not supported on sheets.

## Using Paper Other Than Genuine Paper and feed confirmed Paper

When using this printer to print on paper other than genuine Canon paper and feed confirmed paper, use paper that meets the following conditions.

### ▶▶▶ Note

- For Canon genuine paper/feed confirmed paper, see "Paper Information List."
- Paper where the size is described in "Paper Sizes" (See "[Paper Sizes.](#)")
- Paper where bleeding and ink overflow does not occur when printing
- Paper that does not warp severely when loading the paper or printing

### ▶▶▶ Important

- If you use paper other than Canon genuine paper and feed confirmed paper, Canon provides absolutely no guarantees regarding print quality or paper feed properties. For Canon genuine paper/feed confirmed paper, see "Paper Information List."

After loading the paper in the printer, select the media type in the operation panel and printer driver and then perform the printing. For the media type, you can select easily from existing settings or you can create and use settings for the paper you are using.

## Printing Using Existing Settings

You can print easily by selecting from existing settings provided in the operation panel and printer driver. (See "[Printing on Paper Other Than Genuine Paper and feed confirmed Paper Using Existing Settings.](#)")

## Printing Using Additional Settings

You can use the Media Configuration Tool function for adding custom paper to create settings suitable for non-Canon genuine paper/feed confirmed paper and add as a new media type to the printer's operation panel and the printer driver for printing. (See "[Printing on Paper Other Than Genuine Paper and feed confirmed Paper by Adding a Media Type.](#)")

## Printing on Paper Other Than Genuine Paper and feed confirmed Paper Using Existing Settings

You can easily print on paper other than genuine Canon paper and feed confirmed paper without making complicated settings by selecting the existing settings provided in the operation panel and printer driver depending on the media type you are using. The existing settings consist of general-purpose paper settings provided for different media types.

### ▶▶▶ Important

- The Canon genuine paper settings provided in the operation panel and printer driver are optimized for Canon genuine paper. If these settings are selected for printing on paper other than Canon genuine paper, the ink may bleed or the print head may rub against the paper. To easily print on paper other than Canon genuine paper and feed confirmed paper, we recommend that you select one of the following general-purpose paper settings.

### ▶▶▶ Note

- For an overview of the media types, see "[Types of Paper](#)."
- For instructions on selecting the media type with the operation panel, see "[Types of Paper](#)". For instructions on selecting the media type with the printer driver, see "How to Open the Printer Driver Setup Window" (Windows) or "[How to Open the Printer Driver Setup Dialog](#)" (macOS).

## Choosing General-Purpose Paper Settings

These settings anticipate a wide variety of paper other than Canon genuine paper and feed confirmed paper, and, therefore, these settings make it difficult for bleeding ink and print head rubbing to occur. For details on the relationships between the conditions of paper other than Canon genuine paper and feed confirmed paper and the media type to select, see "Paper Information List."

### ▶▶▶ Note

- If you cannot obtain the desired results by selecting the general-purpose paper settings, use the custom paper adding function in Media Configuration Tool to create settings suitable for the paper you are using. For details, see "[Printing on Paper Other Than Genuine Paper and feed confirmed Paper by Adding a Media Type](#)."

## Printing on Paper Other Than Genuine Paper and feed confirmed Paper by Adding a Media Type

Media Configuration Tool provides a function for adding custom paper for better print quality and improved paper feed properties when printing on paper other than Canon genuine paper/feed confirmed paper than when printing with general-purpose settings. You can use this function to configure settings such as the amount of ink used and the height of the print head according to the characteristics of the paper being used, and thereby realize higher print quality. Also, you can add the settings created with this function as a new media type to the operation panel and printer driver.

For details on Media Configuration Tool, refer as follows.

➡ Media Configuration Tool Guide

### ▶▶ Important

- For details on how to select the added media type in the operation panel, see "[Changing the Type of Paper.](#)"
- You can select the media type to be used in printing from **Media Type** in the **Main** sheet (Windows) or **Quality & Media** (macOS) in the printer driver. For details, see "Main Tab Description" (Windows) or "[Quality & Media](#)" (macOS).
- We recommend that you use an ICC profile created using commercially available profile creation software to perform color management accurately on paper other than Canon genuine paper and feed confirmed paper. You can register the ICC profile you created when creating a custom paper with Media Configuration Tool. See "Adding Custom Paper" in Media Configuration Tool Guide.



## Updating paper information

---

You can update the printer's media information to the latest information by applying the latest version of the Media Information File.

For details on the procedure for applying the Media Information File, refer to the following.

➔ [Media Configuration Tool Guide](#)

### **»» Important**

- If you are using the Media Configuration Tool, the new Media Information File is downloaded automatically when released on the Canon website. A computer connected to the Internet is required to download the Media Information File.

## **Handling rolls**

---

- **Loading Rolls on the Roll Holder**
- **Loading Rolls in the Printer**
- **Changing the Type of Paper**
- **Specifying the Paper Length**
- **Removing the Roll from the Printer**
- **Removing Rolls From the Roll Holder**
- **Remove Jammed Roll Paper**
- **Feeding Roll Paper Manually**
- **Keeping Track of the Amount of Roll Paper Left**
- **Specifying the Amount of Extension for Borderless Printing**
- **Specifying the Ink Drying Time**
- **Specifying the Cutting Method for Rolls**
- **Cutting the Leading Edge of Roll Paper Automatically**
- **Reducing Dust from Cutting Rolls**
- **Detecting Roll Paper was Replaced While the Power was Off**

## Loading Rolls on the Roll Holder

When printing on roll paper, attach the roll paper to the roll holder.

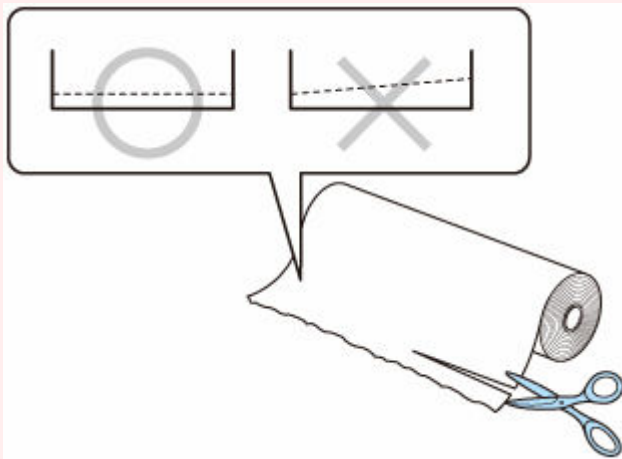
Roll paper comes in two types: 2-inch and 3-inch cores. If using 3-inch core roll paper, attach the 3-inch paper core attachment to the roll holder and holder stopper.

### ⚠ Caution

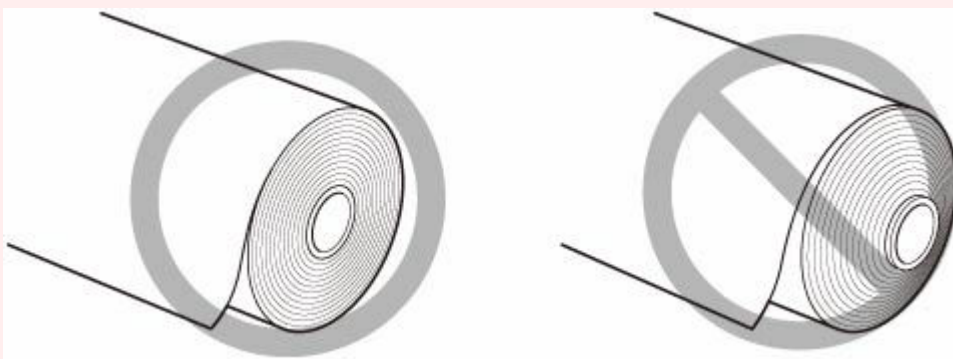
- Set the roll on its side on a table or other flat surface so that it does not roll or fall. Rolls are heavy, and dropping a roll may cause injury.

### ➤➤ Important

- When handling the roll, be careful not to soil the printing surface. This may affect the printing quality. We recommend wearing clean cloth gloves when handling rolls to protect the printing surface.
- Cut the edge of the roll paper if it is uneven, dirty, or has tape residue. Otherwise, it may cause feeding problems and affect the printing quality. Be careful not to cut through any barcodes printed on the roll.



- Align the edges of the paper on both ends of the roll. This may cause feeding problems.

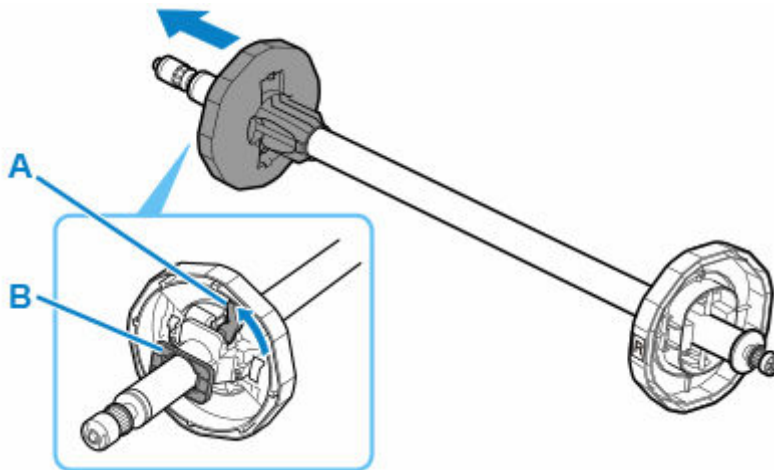


- If a feeding problem occurs, release the release lever and reload the roll paper.

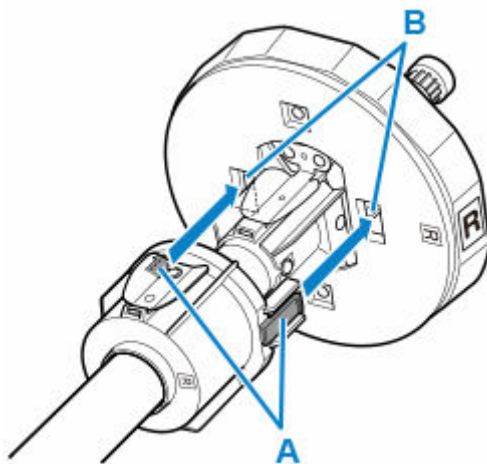
### ➤➤ Note

- For details on roll paper sizes and types that can be used, see "[Paper Sizes](#)" or "Paper Information List".

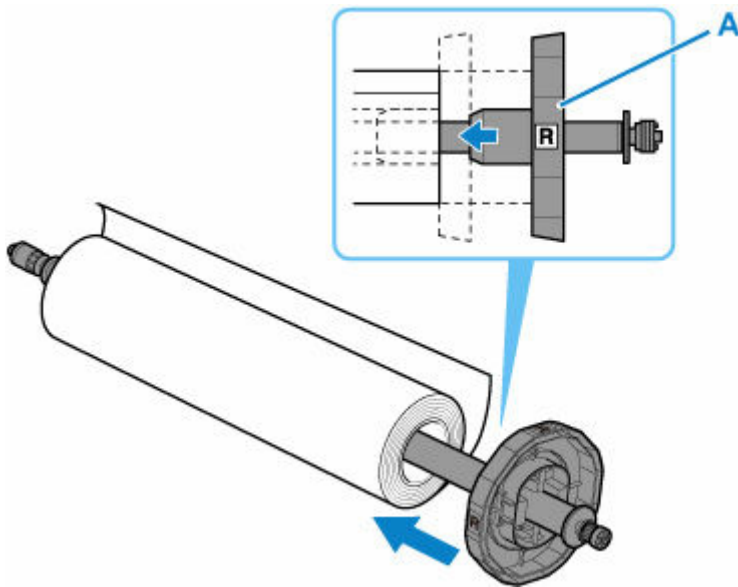
1. Rotate the holder stopper lever (A) towards  to release the lock, and while holding it in position (B), remove holder stopper from the roll holder.



2. If using 3-inch core paper, align 3-inch paper core attachment tabs (A) with roll holder holes (B) and insert firmly.



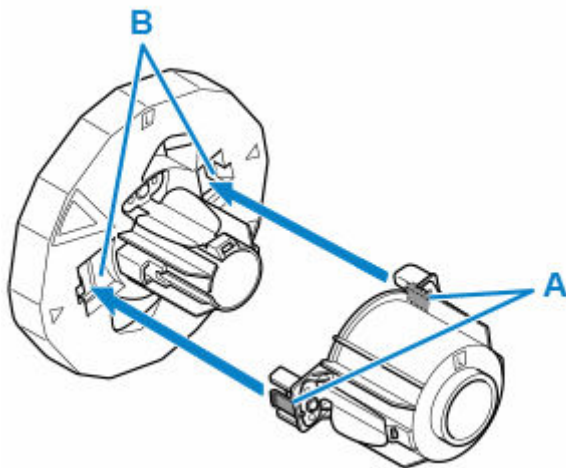
3. With leading edge of roll paper facing forward as shown, insert Roll Holder from right side of roll. Insert firmly until roll paper touches flange (A) of roll holder.




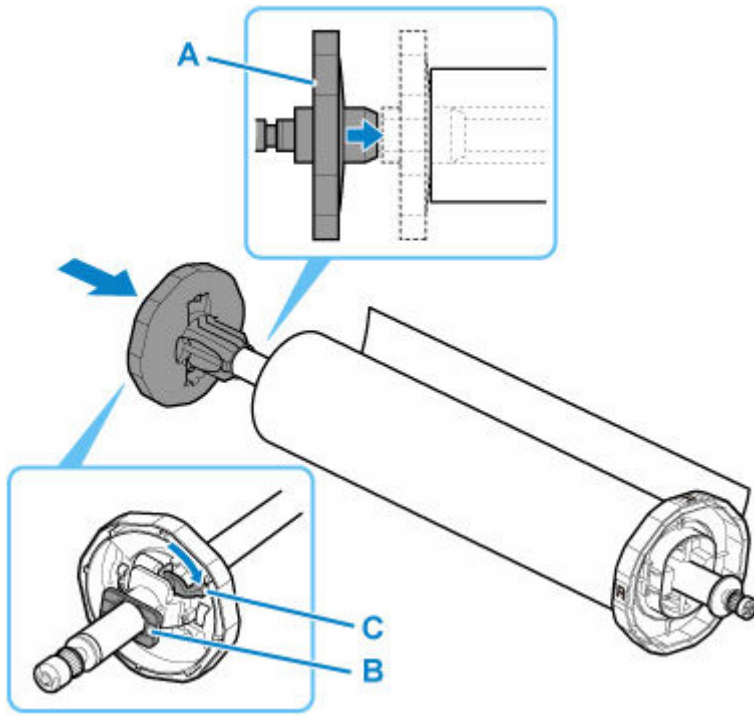
**►► Important**

- When loading a roll, be careful to avoid hitting the printer hard with the roll. This may damage the roll holder.
- If you stand the roll holder vertically and set the roll paper by dropping, the roll holder may be damaged.

**4.** If using 3-inch core paper, align 3-inch paper core attachment tabs (A) with holder stopper holes (B) and insert firmly.



**5.** Insert holder stopper from left into roll holder as shown, and then while holding in position (B), push firmly until holder stopper flange (A) touches roll paper. Lock the holder stopper lever (C) by rotating it towards .



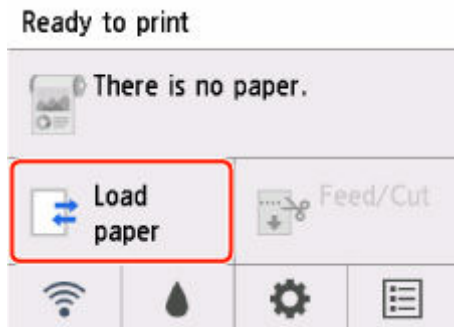
## Loading Rolls in the Printer

Follow these steps to load rolls in the printer.

### ►► Important

- Before loading a roll, confirm whether the inside of the top cover or the output guide is soiled. If these areas are dirty, we recommend cleaning them in advance. (See "[Cleaning Inside the Top Cover.](#)")

1. Tap **Load paper** or **Replace paper** on the Home screen of the operation panel.



### ►► Note

- If the Home screen does not appear, tap the **HOME** button.

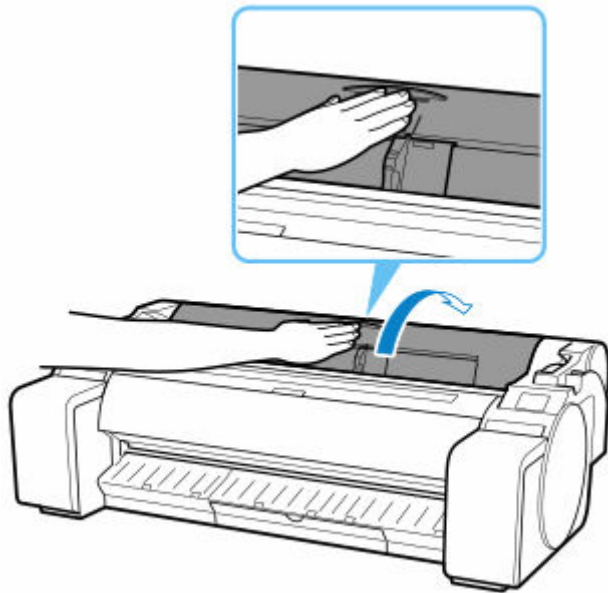
2. Tap **Load roll paper**.

### ►► Note

- If any paper has been advanced that will not be used, a message is shown requesting you to remove it.

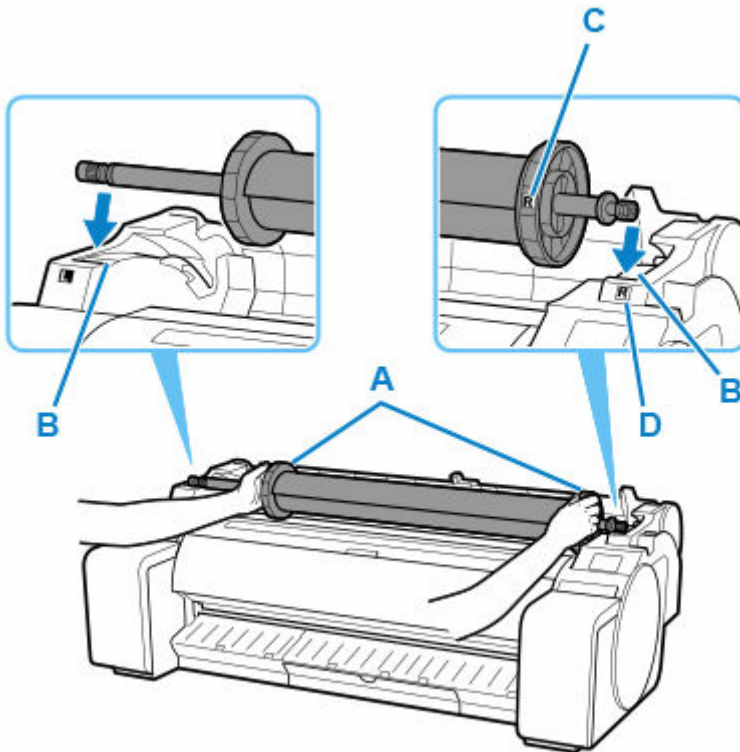
After following the instructions on the screen to remove the paper, go to the next step.

3. Positioning your hands as shown, open the roll paper cover.



4. Holding the roll holder flange (A), rest the roll holder shaft on the roll holder resting ledge (B).

At this time, position the holder as shown in the illustration so that the R label (C) on the roll holder flange is aligned with the R label (D) on the printer.

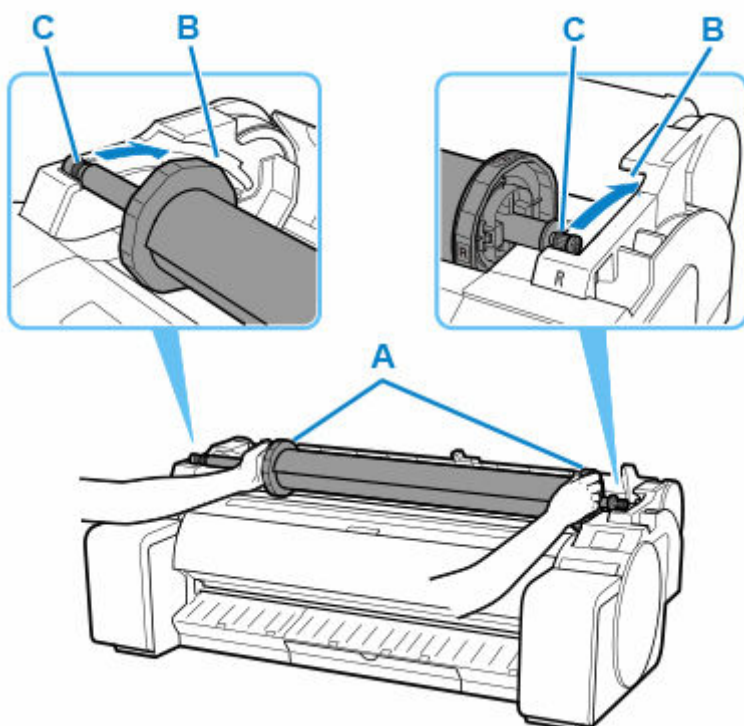


►►► **Note**

- For the procedure for attaching the roll paper to the Roll Holder, see "[Loading Rolls on the Roll Holder.](#)"



5. Holding the roll holder flange (A), guide the holder along the slide guides (B) on both ends, keeping the holder level as you load it in the roll holder slot.



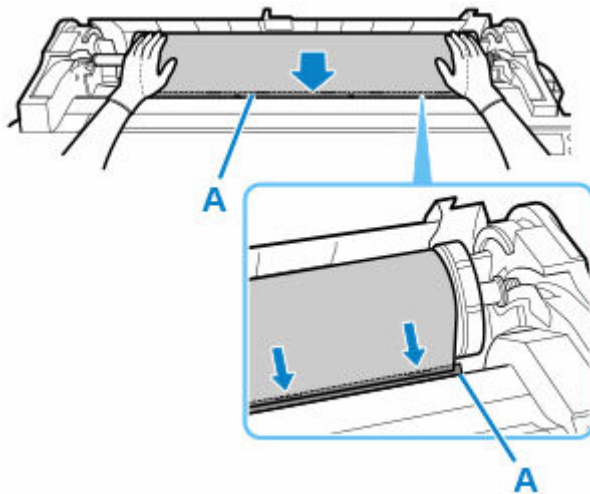
**⚠ Caution**

- Do not force the roll holder into the printer with the right and left ends reversed. This may damage the printer and roll holder.
- Do not release the flanges until the holder is loaded in the roll holder slot.
- Be careful not to pinch your fingers between the slide guides (B) and the roll holder shaft (C) when loading rolls.

**▶▶▶ Important**

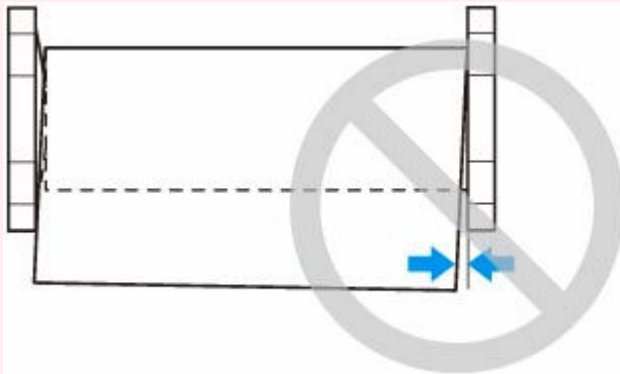
- If the leading edge of the roll paper is cut crooked or folded, it may not be fed correctly. Cut the leading edge of the roll paper with scissors or the like and straighten it.
- Load the roll paper so that it is not loaded in the opposite direction.

6. Insert the edge of the roll in the feed slot (A) and advance the roll until you hear the feed tone.



### ►► Important

- If the roll paper has become unwound, remove the slack before loading the roll paper.
- Be careful not to soil the printing surface of roll paper as you insert it in the slot. This may affect the printing quality. We recommend wearing clean cloth gloves when handling rolls to protect the printing surface.
- If the paper is wrinkled or warped, straighten it out before loading it.
- Load the roll so that there is no gap between the right edge of the paper and the roll holder.



7. After paper feeding has started, do the following operations based on the **Manage remaining roll amount** setting and the barcode printed on the roll paper (see "[Keeping Track of the Amount of Roll Paper Left](#)").

- **When selecting Disable or Warning message only in Manage remaining roll amount.**

A menu for selecting the media type appears on the operation panel. Operate the operation panel and select the media type to be used.

- **When selecting Barcodes in Manage remaining roll amount and if the barcode is printed.**

The type and amount of paper left is automatically detected based on the barcode printed on the roll. There is no need to specify the type and length of the paper.

- When selecting **Barcodes in Manage remaining roll amount** and if the barcode is not printed.

A menu for selection of the media type and length is shown on the operation panel. Operate the operation panel, select the media type to be used, and enter its length.

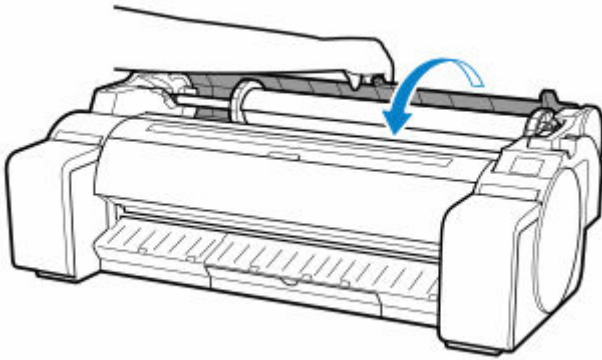
### ▶▶▶ Important

- When selecting **Enable** in **Keep media type**, there is no need to specify the type of the paper.
- Cut the edge of the roll using the **Cut paper** function if the edge is creased or soiled. (See "[Specifying the Cutting Method for Rolls.](#)")
- When selecting the media type on the operation panel, make sure the media type set in the printer driver and the media type loaded on the printer match.

### ▶▶▶ Note

- For details on media types that you can select, see "Paper Information List."

8. Holding it at the positions indicated, close the roll paper cover.



### ▶▶▶ Note

- Cut the edge of the roll after the paper is advanced if it is soiled or if there are cuts from scissors or the blade after removing creased edges. (See "[Specifying the Cutting Method for Rolls.](#)")
- Adjusting the print head alignment with the type of paper to be used in printing may enhance printing quality. (See "[Automatic Adjustment to Straighten Lines and Colors.](#)")

## Changing the Type of Paper

Follow these steps to change the type of paper specified on the printer after you have loaded paper.

If you continue using the same type of paper and set **Keep media type** to **Enable**, when you load paper, the media type selected before **Enable** was set is selected automatically, eliminating the need to set the media type. (See "[Using the Same Type of Paper Regularly](#).")

### ►► Important

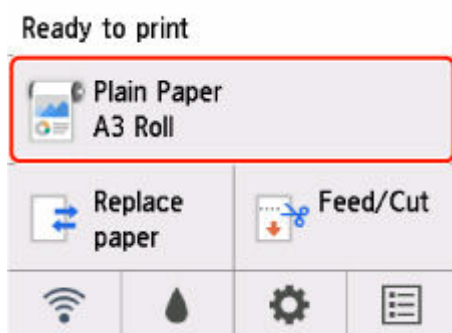
- For best printing results, the printer fine-tunes the print head height and the feed amount for each type of paper. Be sure to select the type of paper to use correctly before printing.
- Because the printer fine-tunes the feed amount for each type of paper, the margins and the size of printed images may vary depending on the type of paper used. If margins and the size of images are not as you expected, adjust the paper feed amount.  
(See "[Adjusting Feed Amount](#).")
- Rolls and sheets have different printing areas, and sheets having a larger bottom margin than rolls.  
(See "[Print Area](#).")

## Changing the Type of Paper

### ►► Note

- When you load roll paper, a menu for selecting the media type appears on the operation panel. Tap the media type.  
  
If no barcode has been printed on the roll paper and you have set **Manage remaining roll amount** to **Barcodes**, specify the roll length after selecting the media type. (See "[Specifying the Paper Length](#).")

1. Tap paper settings display area on Home screen of operation panel.



### ►► Note

- If the Home screen does not appear, press the **HOME** button.

2. Tap **Paper settings**.

3. Tap **Type**.

4. Tap media type of roll paper loaded in printer.

5. Tap **Register**.

### ▶▶▶ Important


- Be sure to select the correct paper type. If this setting does not match the loaded paper, it may cause feed errors and affect printing quality.

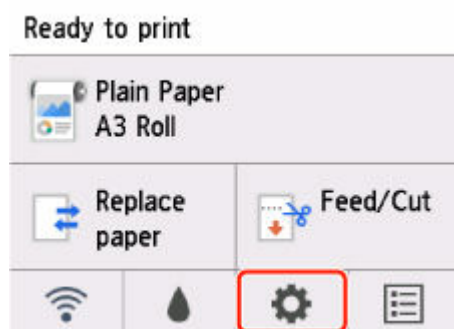
### ▶▶▶ Note

- For details on media types, see "Paper Information List." At the factory default settings, **Plain Paper** is selected for the media type.
- When the release lever is operated, the settings automatically return to the last selected media type.

## Using the Same Type of Paper Regularly

Configure this setting so that current media type settings will be automatically selected when you load the same type of paper later.

1. Tap  (**Setup**) on Home screen of operation panel.



### ▶▶▶ Note

- If the Home screen does not appear, press the **HOME** button.

2. Tap **Printer settings**.

3. Tap **Paper-related settings**.

4. Tap **Keep media type**.

5. Tap **Enable**.

### ▶▶▶ Note

- The specified media type setting is updated in the following situations.

- When using sheets, if you send a print job before loading a sheet, the media type setting is updated to match the type of paper specified by the print job.
- If a barcode is printed on the roll paper and you have set **Manage remaining roll amount to Barcodes** in the operation panel menu, the media type setting is updated to match the media type specified by the barcode.
- To change the media type setting, see "[Changing the Type of Paper.](#)"

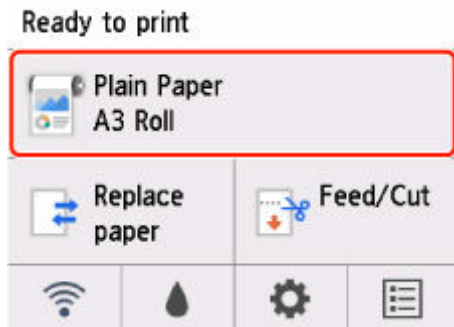
## Specifying the Paper Length

When changing the length of paper after the paper has been advanced, specify the length as follows.

### ►► Note

- Specify the roll paper length when you have set **Manage remaining roll amount** to **Barcodes**. (See "[Keeping Track of the Amount of Roll Paper Left.](#)")

1. Tap paper settings display area on Home screen of operation panel.



### ►► Note

- If the Home screen does not appear, press the **HOME** button.

2. Tap **Paper settings**.
3. Tap **Advanced**.
4. Tap **Roll length (change default)**.
5. Enter roll paper length.

Specify the roll length as follows.

1. Tap the numerical input field.
2. Tap the keypad appearing on the operation panel, enter the roll paper length, and then tap **OK**.
3. Check the entered length and tap **OK**.

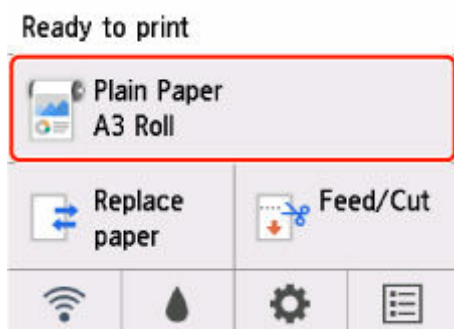
## Removing the Roll from the Printer

Remove rolls from the printer as follows.

### ▶▶▶ Note

- If you need to cut a printed roll, select **Feed/Cut** in the printer menu and cut the roll paper at the desired position. (See "[Specifying the Cutting Method for Rolls.](#)")

1. Tap paper settings display area on Home screen of operation panel.



### ▶▶▶ Note

- If the Home screen does not appear, press the **HOME** button.

2. Tap **Remove paper**.

3. Tap **Yes**.

The roll is rewind.

### ▶▶▶ Important

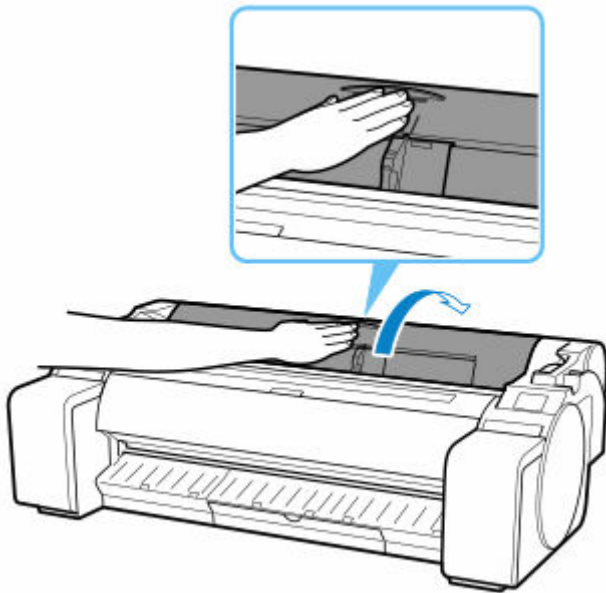
- If **Manage remaining roll amount** is set to **Barcodes** in the operation panel menu, a barcode is printed on the leading edge of the roll paper.

Do not remove the roll before the barcode is printed. You will be unable to keep track of the amount of roll paper left. (See "[Keeping Track of the Amount of Roll Paper Left.](#)")

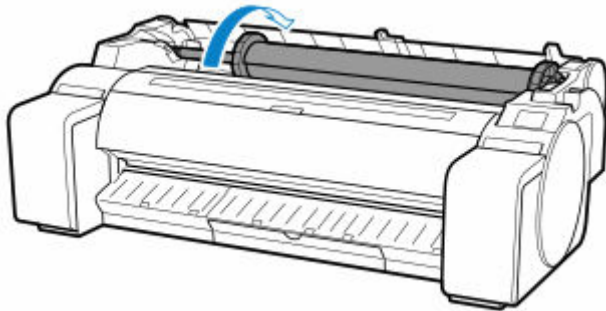


4. Positioning your hands as shown, open the roll paper cover.

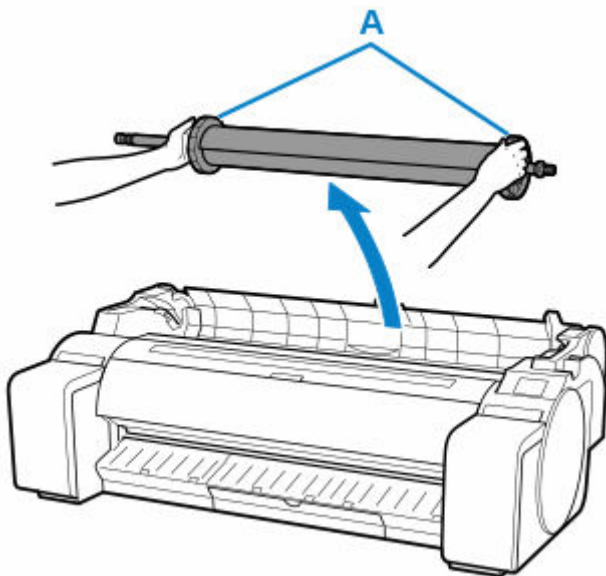




5. Using both hands, rotate the roll holder toward the back to rewind the roll.



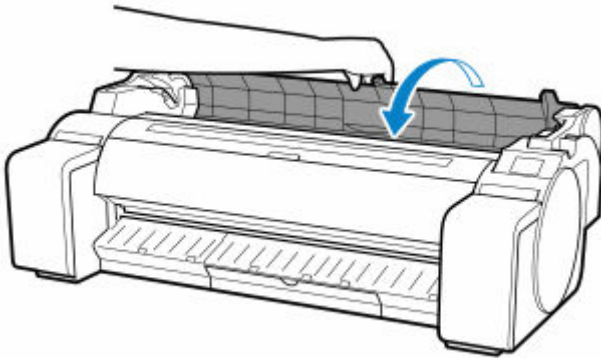
6. Hold roll holder by its flanges (A) and remove from roll holder slot.



►►► **Note**

- For instructions on removing the roll holder from rolls, see "[Removing Rolls From the Roll Holder.](#)"

7. Holding it at the positions indicated, close the roll paper cover.

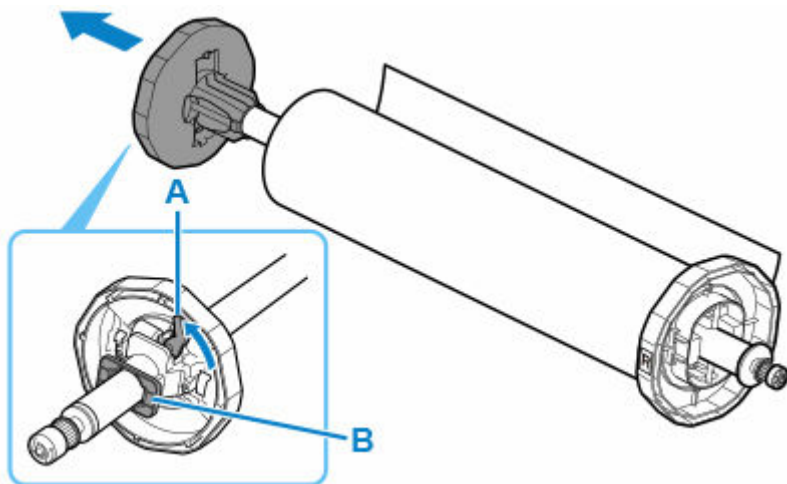


►►► **Note**

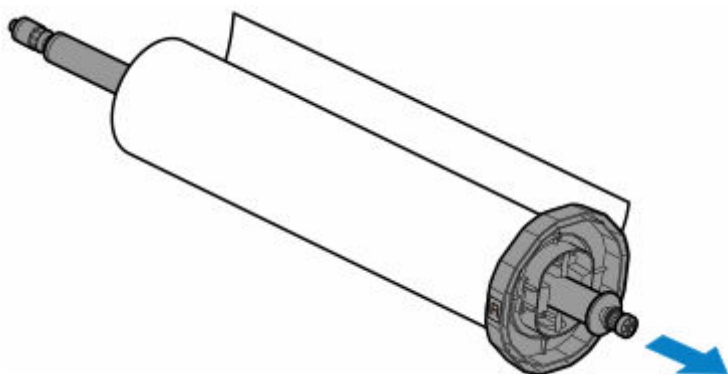
- To load new roll paper in the printer at this point, see "[Loading Rolls in the Printer.](#)"
- Clean inside the top cover before loading paper.  
(See "[Cleaning Inside the Top Cover.](#)").

## Removing Rolls From the Roll Holder

1. Rotate the holder stopper lever (A) towards  to release the lock, and while holding it in position (B), remove holder stopper from the roll holder.

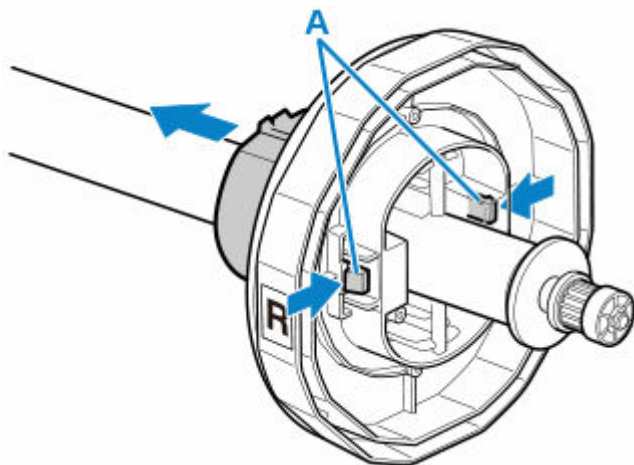


2. Remove roll holder from roll paper.

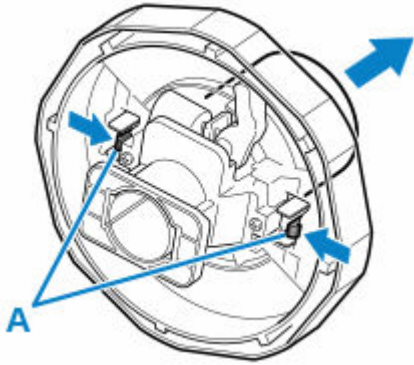


3. To remove 3-inch paper core attachment, press tabs (A) inward and remove attachment.

- roll holder Side



- holder stopper Side



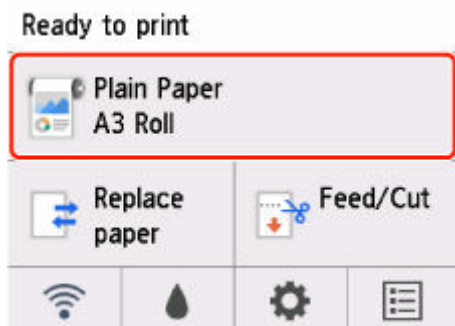
### ►► Important

- Store the roll in the original bag or box, away from high temperature, humidity, and direct sunlight. If paper is not stored properly, the printing surface may become scratched, which may affect the printing quality when you use it again.

## Feeding Roll Paper Manually

After feeding the roll paper, you can move it forward and back.

1. Tap paper settings display area on Home screen of operation panel.



### ►►► Note

- If the Home screen does not appear, press the **HOME** button.

2. Tap **Feed/Cut**.
3. Tap or touch **Advance** and **Rewind** to move roll paper forward or back.

### ►►► Note

- Tapping **Advance** or **Rewind** moves the roll paper approximately 0.04 inch (1 mm).  
Touching **Advance** or **Rewind** moves the roll paper until you release the key. If "**Cannot advance the paper any further.**" appears on the operation panel, release the key.

4. Tap **OK** when you have determined position of roll paper.

## Keeping Track of the Amount of Roll Paper Left

There are two methods of managing the amount of roll paper left: by using the barcode and by estimating the amount of roll paper left.

### Managing by the Barcode for the Amount of Roll Paper Left


When you set **Manage remaining roll amount** to **Barcodes** in **Printer settings** on the Home screen, the amount of remaining roll paper and the media type information are printed as a barcode and text when the paper is removed. When **Manage remaining roll amount** is set to **Barcodes** and you load roll paper with a printed barcode, the media type and remaining amount are automatically detected after the roll paper is loaded. The barcode will be cut off after it has been read.

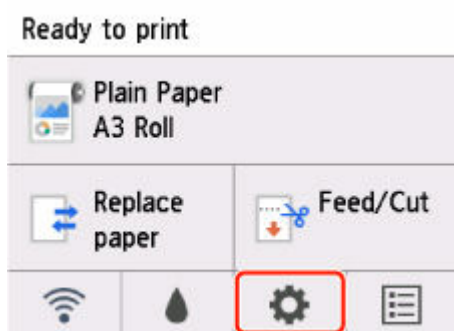


#### Important

- If the barcode on the roll is not detected, enter the type and length of paper on the operation panel. The length of the paper at this time can be set in **Roll length (change default)**.  
➔ [Setting the Default Value of the Amount of Roll Paper Left when Managing by the Barcode](#)

Follow the steps below when setting **Manage remaining roll amount** to **Barcodes**.

1. Tap  (**Setup**) on Home screen of operation panel.



#### Note

- If the Home screen does not appear, press the **HOME** button.

2. Tap **Printer settings**.
3. Tap **Paper-related settings**.
4. Tap **Manage remaining roll amount**.
5. Tap **Barcodes**.

6. Check the length of the roll paper and tap **OK**.

#### ▶▶▶ Note

- The length of the roll paper to be displayed can be set in **Roll length (change default)**.
  - ➔ [Setting the Default Value of the Amount of Roll Paper Left when Managing by the Barcode](#)
- If the length of the roll paper to be displayed is different from the length of the roll paper actually used, set the actual length.

7. Select the timing when the warning message appears.

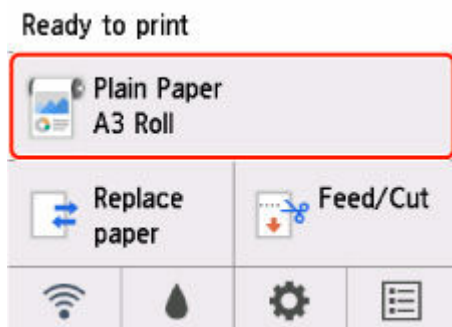
## Setting the Default Value of the Amount of Roll Paper Left when Managing by the Barcode

When you select **Barcodes** in **Manage remaining roll amount** and if you feed roll paper on which no barcode is printed, such as new roll paper, the screen to enter the roll paper length (remaining amount) appears.

In this screen, the length (remaining amount) of default value appears. If the length is not correct, tap the screen and enter a correct length.

When you want to change the length (remaining amount) of default value, follow the steps below.

1. Tap paper settings display area on Home screen of operation panel.



#### ▶▶▶ Note

- If the Home screen does not appear, press the **HOME** button.

2. Tap **Paper settings**.
3. Tap **Advanced**.
4. Tap **Roll length (change default)**.
5. Specify the length of the roll paper and tap **OK**.

## Managing by Estimating the Amount of Roll Paper Left

When you set **Manage remaining roll amount** to **Warning message only** in **Printer settings** on the Home screen, if the amount of roll paper left decreases, the **Status** lamp on the operation panel lights up orange and the warning message is displayed. The barcode is not printed.

The time to display warning message can be set in **Roll amount warning settings**. If you increase the level in **Roll amount warning settings**, the warning message appears sooner.

### ▶▶ Important

- If the type of paper is not selected correctly, the amount of roll paper left may not be estimated correctly.
- When using the types of paper which are not displayed on "Paper Information List," set the paper thickness and the size of paper core with Media Configuration Tool.
  - ➔ [Media Configuration Tool Guide](#)



## Specifying the Amount of Extension for Borderless Printing

Borderless printing may leave margins on the left and right sides of the paper or soil the back of the paper. Adjusting the amount of extension may improve these problems.

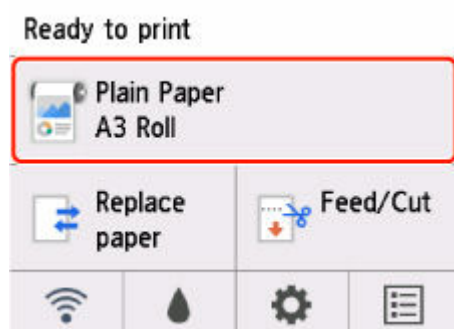
Each paper width is shown as being a recommended width for borderless printing ( **Paper with recommended width** ), or as having sufficient width for borderless printing ( **Paper of sufficient width** ). The procedure for specifying the amount of extension differs depending on **Paper with recommended width** and **Paper of sufficient width**.

- ➔ [Specifying Amount of Extension for Paper with recommended width.](#)
- ➔ [Specifying Amount of Extension for Paper of sufficient width.](#)

For more information on a paper width recommended for borderless printing, see [Paper Sizes](#).

### Specifying Amount of Extension for Paper with recommended width.

1. Tap paper settings display area on Home screen of operation panel.



2. Tap **Paper settings**.
3. Tap **Advanced**.
4. Tap **Extension for borderless printing**.
5. Tap **Paper with recommended width**.
6. Select amount of extension.

Select **Large**, **Standard**, or **Small**.

#### ➤➤➤ Note

- When selecting **Large**, the printed area will be wider. Select this if there are margins.
- When selecting **Small**, the printed area will be narrower. Select this if there are stains.

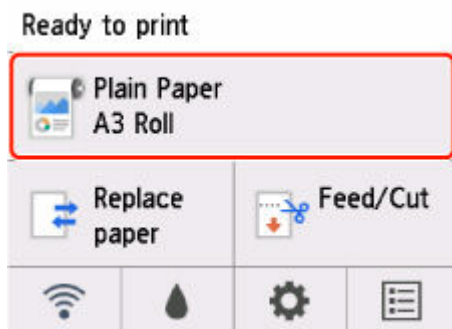
## Specifying Amount of Extension for Paper of sufficient width.

In case of **Paper of sufficient width**, the width of the original is set to be slightly smaller than the paper, and there are margins on the left and right. You can reduce the margins by increasing the amount of extension.

On the other hand, if the amount of extension is too large, the back side of the paper will be easily soiled with the overflowed ink. When performing borderless printing with specifying the amount of extension for **Paper of sufficient width**, clean the platen regularly.

➔ [Cleaning Inside the Top Cover](#)

1. Tap paper settings display area on Home screen of operation panel.



2. Tap **Paper settings**.
3. Tap **Advanced setup**.
4. Tap **Extension for borderless printing**.
5. Tap **Paper of sufficient width**.
6. Select the adjustment value.

### ▶▶▶ Note

- The larger the set adjustment value, the wider the printed range.
- After setting, we recommend to perform borderless printing to check the margin status.  
If the margin remains, set a larger adjustment value. If the back of the paper is soiled, set a smaller adjustment value.
- After borderless printing for confirmation, we recommend to clean the platen.

➔ [Cleaning Inside the Top Cover](#)

## Specifying the Ink Drying Time

When you are using paper that takes longer for ink to adhere, ink may be transferred onto the paper surface during ejection, soiling it. In that case, you may be able to improve the condition by setting the time to wait for the ink to dry after printing.

### Important

- Printer settings are applied when the ink drying time is not set in the printer driver. If the ink drying time is set in the printer driver, that setting has priority.

### Note

- If the cutter touches the print surface on which the ink is not dry, the paper surface may become scratched or soiled, or the paper surface may rub when the paper falls and the surface may become soiled.

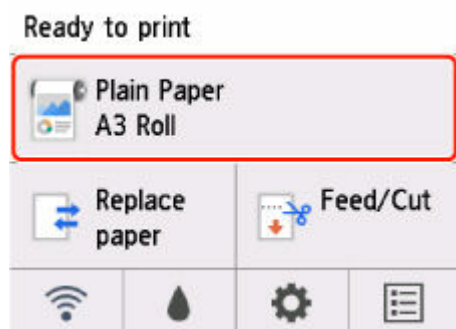
To wait for the ink to dry without allowing printed materials to fall after printing, set **Cutting mode** on the printer menu to **Eject cut**. (See "[Specifying the Cutting Method for Rolls.](#)")

- The ink drying time for sheets can also be set using this procedure.

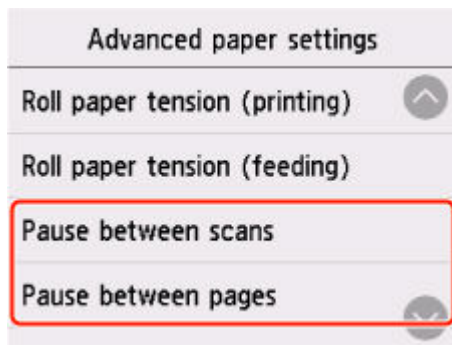
## Set on the Printer

Set with the operation panel of the printer.

1. Tap paper settings display area on Home screen of operation panel.



2. Tap **Paper settings**.
3. Tap **Advanced**.
4. Scroll the screen, tap **Pause between scans** or **Pause between pages**.



#### **Pause between scans**

Specify the waiting time between printing one scan on a page and printing the next one.

#### **Pause between pages**

Specify the waiting time between printing one page and ejecting the paper. If there is a next page, it will be printed after the ink drying time has elapsed.

## **Set on your Computer**

Refer to the followings for how to set from your computer.

- ➔ Main Tab Description (Windows)
- ➔ [Advanced Paper Settings](#) (macOS)

## Specifying the Cutting Method for Rolls

How rolls are cut after ejection varies depending on printer settings.

- **Automatic cut**

The roll is automatically cut by the cutter blade according to the printer driver settings.

- Printer Setting

Tap paper settings display area >**Paper settings>Advanced>Cutting mode>Automatic cut**

- Driver Setting

**Automatic Cutting>Yes**

➡ See "Cutting Roll Paper after Printing" (Windows).

➡ See "[Cutting Roll Paper after Printing](#)" (macOS).

- **Eject (when the paper surface is being scratched / to wait for ink to dry)**

Select this to move the cutter by operation panel operation and cut paper. With **Automatic cut**, the paper drops and may rub against the basket, resulting in damage to the print surface, but you can cut using this method and supporting the paper so that it does not drop to avoid damage to the paper. Also, you can prevent paper that has not dried from dropping by visually checking the ink has dried, and then cutting the paper.

After printing, tap **Cut paper** and cut the roll paper on the cutter blade.

- Printer Setting

Tap paper settings display area >**Paper settings>Advanced>Cutting mode>Eject cut**

- Driver Setting

**Automatic Cutting>Yes**

➡ See "Cutting Roll Paper after Printing" (Windows).

➡ See "[Cutting Roll Paper after Printing](#)" (macOS).

- **Manual (when using media that cannot be cut with the cutter blade)**

Select this if the paper cannot be cut on the cutter blade.

Cut each page from the roll using scissors. For continuous printing (if you will cut each page later), select **Automatic Cutting>Yes** or select **Print Cut Guideline**.

- Printer Setting

Tap paper settings display area >**Paper settings>Advanced>Cutting mode>User cut**

- Driver Setting

**Automatic Cutting>No, Yes, Print Cut Guideline**

➡ See "Cutting Roll Paper after Printing" (Windows).

➡ See "[Cutting Roll Paper after Printing](#)" (macOS).

- **Paper cutting (to have the roll cut at your specified position)**

Select this when you want to cut the roll paper by operating the cutter blade using the operation panel after printing with **No** or **Print Cut Guideline** selected in **Automatic Cutting** in the printer driver.

Otherwise choose this option if you want to cut the roll edge after loading a roll.

- Printer Setting

Tap paper settings display area >**Feed/Cut**>**Cut paper**>**Yes**

- Driver Setting

**Automatic Cutting**>**No, Yes, Print Cut Guideline**

➡ See "Cutting Roll Paper after Printing" (Windows).

➡ See "[Cutting Roll Paper after Printing](#)" (macOS).

### ▶▶▶ Note

- Automatic and Eject are valid only when you have selected **Automatic Cutting**>**Yes** in the printer driver.
- With Eject, printing does not resume after a series of jobs have been printed continuously until the roll is cut.
- **Eject cut** or **User cut** is the preset selection in **Cutting mode** for some types of paper. For this paper, we recommend keeping the preset cutting mode.
- If documents printed using Automatic, Eject, or manual cutting are short, rolls are advanced a specific amount before cutting to prevent problems with cutting and paper ejection. This may create a wider bottom margin, in some cases.

Cut rolls manually in the following cases:

## Eject (when the paper surface is being scratched / to wait for ink to dry)

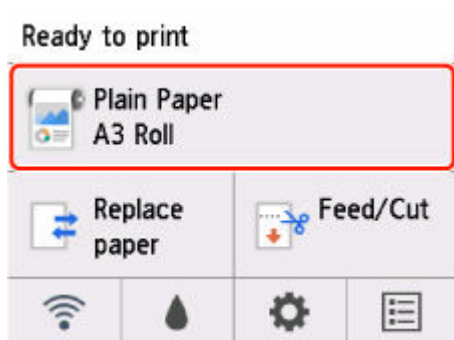
### ▶▶▶ Important

- When cutting wide printed documents after ejection, have two people support the documents. If the paper drops, printed documents may be damaged.
- Do not lift the paper when holding printed documents before cutting. If the paper rises, it may affect the printing quality or cause rough cut edges.

### ▶▶▶ Note

- Once the following step has been performed, the procedure can be started from step 7 the next time.
  - Printing the second and subsequent times
  - Printing after replacing with the same type of paper

1. Tap paper settings display area on Home screen of operation panel.



### ▶▶▶ Note

- If the Home screen does not appear, press the **HOME** button.

2. Tap **Paper settings**.

3. Tap **Advanced**.

4. Tap **Cutting mode**.

5. Tap **Eject cut**.

6. Print the job.

When printing is finished, the printer will stop without cutting.

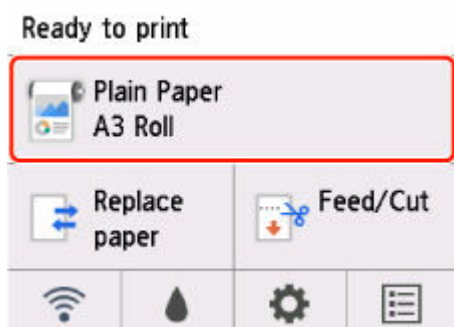
7. While holding the printed document from the bottom edge to prevent it from dropping, tap **Cut paper** to cut the roll paper.

## Manual (when using media that cannot be cut with the cutter blade)

### ▶▶▶ Note

- Once the following step has been performed, the procedure can be started from step 8 the next time.
  - Printing the second and subsequent times
  - Printing after replacing with the same type of paper

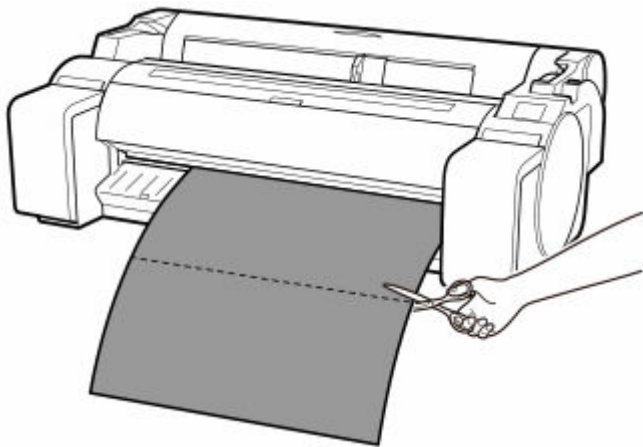
1. Tap paper settings display area on Home screen of operation panel.



## ▶▶▶ Note

- If the Home screen does not appear, press the **HOME** button.

2. Tap **Paper settings**.
3. Tap **Advanced**.
4. Tap **Cutting mode**.
5. Tap **User cut**.
6. When **Do you want to set to detect the leading edge of the paper?** is displayed, select **Detect (recommended)**.
7. Print the job.  
The printer stops advancing the paper after printing.
8. Tap **Advance paper**.  
Roll paper is fed to the specified cut position and then automatically stopped.
9. Cut the roll paper manually with scissors or the like.



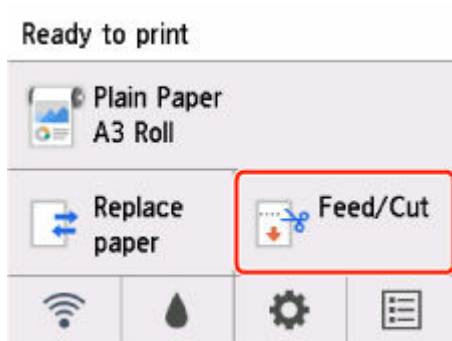
10. Tap **OK**.

After the roll is rewound, it stops automatically.

## **Paper cutting (to have the roll cut at your specified position)**

1. Tap **Feed/Cut** on Home screen of operation panel.





### ▶▶▶ Note

- If the Home screen does not appear, press the **HOME** button.

2. Tap or touch **Advance** or **Rewind** to feed roll paper to desired cutting position.
3. Tap **Cut paper**.
4. Tap **Yes**.

After the roll paper is cut, it is rewound automatically.

## Cutting the Leading Edge of Roll Paper Automatically

If the leading edge of the paper is cut crooked or is not cut straight when roll paper is loaded, it will not print correctly. If this happens, you can cut the leading edge of the paper straight when loading a paper roll by using **Trim edge first** in the operation panel menu.

The following settings are available for **Trim edge first**.

- **Auto**

If the leading edge of the paper is cut crooked and is not cut straight when loading roll paper, cut the leading edge straight and eject the fragment of paper to prevent printing on the platen and soiling the printer.



- **On(Preset Length)**

The amount to cut from the leading edge of the paper varies depending on the media type and is cut to a prescribed length. For the leading edge pre-cut length, see "Paper Information List".

- **On(Input Length)**

The amount to cut from the leading edge of paper is specified in the operation panel. The amount to cut from the leading edge can be specified in the range of lengths displayed in the operation panel. The range of lengths differs according to the media type.

»» **Note**

- The amount to cut from the leading edge of paper cannot be set shorter than the length displayed in the operation panel.

- **Manual**

The amount to cut from the leading edge of paper can be adjusted by using the operation panel.

To cut the paper after adjusting, tap **Cut paper** and select **Yes**.

After cutting the paper, tap **Complete paper loading**.

»» **Note**

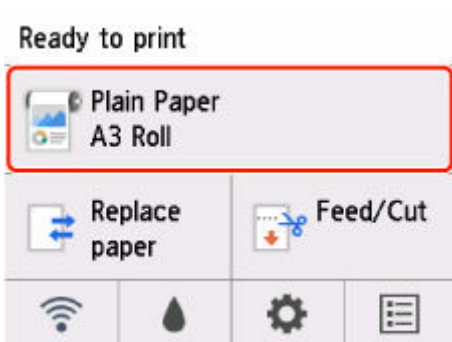
- If you do not tap **Complete paper loading** after cutting the paper, you cannot print the next job.

- **Off**

The edge is not cut and scraps are not removed.

Follow these steps to change the **Trim edge first** setting.

1. Tap paper settings display area on Home screen of operation panel.



### ▶▶▶ Note

- If the Home screen does not appear, press the **HOME** button.

2. Tap **Paper settings**.
3. Tap **Advanced**.
4. Tap **Trim edge first**.
5. Tap desired **Trim edge first** settings.

This setting takes effect the next time you load a roll.

## Reducing Dust from Cutting Rolls

If the paper tends to generate dust when cut, such as with Backlit Film, you can reduce flying dust by setting **Cut-dust reduction** to **ON** from the operation panel menu, which will coat the leading and trailing edges of the printed document with ink. As a result, you can reduce problems with the print head. You can set **Cut-dust reduction** according to the media type.

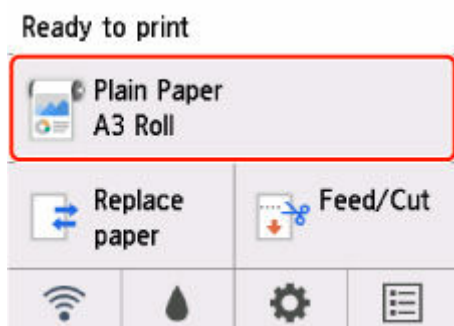


### Important

- Do not set **Cut-dust reduction** to **ON** for paper that wrinkles easily, such as **Plain Paper** or lightweight paper. If not cut properly, the paper may jam.
- Borderless printing is not available when **Cut-dust reduction** is set to **ON**. When performing borderless printing, set **Cut-dust reduction** to **OFF**.

Follow these steps to set **Cut-dust reduction** to **ON**.

1. Tap paper settings display area on Home screen of operation panel.



### Note

- If the Home screen does not appear, press the **HOME** button.

2. Tap **Paper settings**.
3. Tap **Advanced**.
4. Tap **Cut-dust reduction**.

5. Tap **ON**.

## Detecting Roll Paper was Replaced While the Power was Off


When you turn the printer on, it can confirm whether the roll paper was replaced while the power was off.

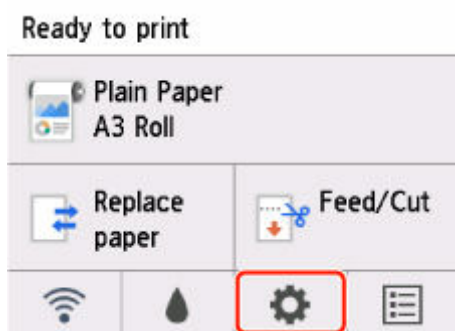
From **Printer settings** on the Home screen, set **Auto feed at power on** to **Enable** to detect the position of the roll paper's leading edge when the power is turned on. If the position of the roll paper's leading edge is over 1 mm since the last time the power was turned off, the printer determines that the roll paper has been replaced, and then starts feeding paper automatically to detect the paper width and the barcode for the management of unused roll paper.

### ▶▶▶ Note

- Setting **Auto feed at power on** to **Enable** causes the operations that can be done after turning on the power to take longer since the printer must detect the leading edge of the roll paper.
- **Auto feed at power on** is set to **Disable** when you buy the printer.

Follow these steps to set **Auto feed at power on** to **Enable** as follows.

1. Tap  (**Setup**) on Home screen of operation panel.



### ▶▶▶ Note

- If the Home screen does not appear, press the **HOME** button.

2. Tap **Printer settings**.
3. Tap **Paper-related settings**.
4. Tap **Auto feed at power on**.
5. Tap **Enable**.

## **Handling sheets**

---

- **Loading Sheets in the Printer**
- **Changing the Type of Paper**
- **Printing From a Desired Starting Point**
- **Removing Sheets**
- **Remove a Jammed Sheet**
- **Specifying the Ink Drying Time**

## Loading Sheets in the Printer

Follow these steps to load sheets in the printer.

### Important

- One sheet of paper can be loaded in the feed slot at a time. Do not load more than one sheet at a time. This may cause paper jams.
- Before feeding paper or printing, make sure the sheet is flat against the roll paper cover. The sheet may jam if it curls before feeding or printing and the trailing edge drops toward the front.
- Paper that is wrinkled or warped may jam. If necessary, straighten the paper and reload it.
- Load the paper straight. Loading paper askew will cause an error. (See "[1317](#).")

### Note

- Before loading cut sheets, check whether or not the inside of the top cover or the output guide is soiled. If these areas are dirty, we recommend cleaning them in advance. (See "[Cleaning Inside the Top Cover](#).").
- Store unused paper in the original package, away from high temperature, humidity, and direct sunlight.

#### 1. Select sheets as the paper source.

- **If a print job was received**

Sheets are automatically selected, and the media type and size specified by the print job are shown on the operation panel.

Tap **OK** and **Load paper**.

- **If no print job was received**

1. Tap **Load paper** or **Replace paper**.



2. Tap **Load cut sheet** or **Replace cut sheet**.

### Note

- If the Home screen does not appear, press the **HOME** button.

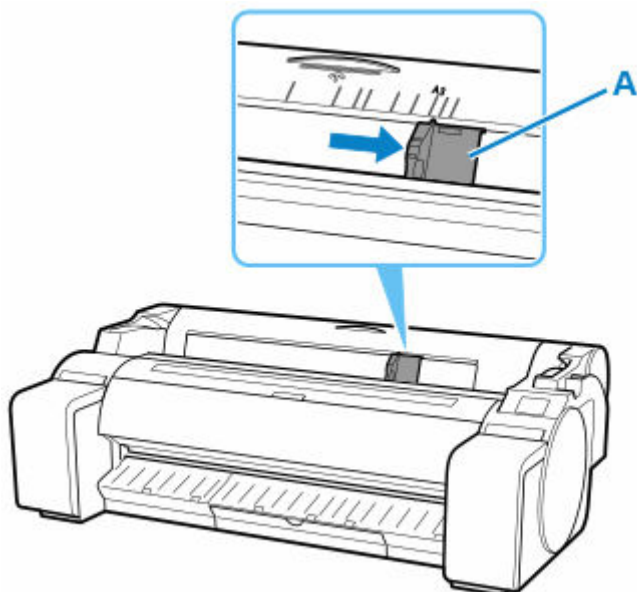
### Note

- If any paper has been advanced that will not be used, a message is shown requesting you to remove it.



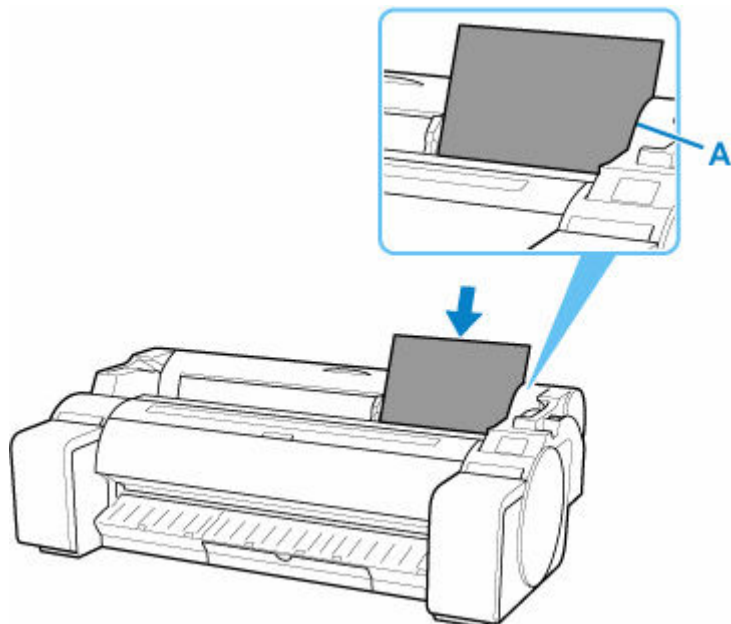
Follow the instructions on the screen to remove the paper, and redo the operation.

2. Slide the width guide (A) to align it with the mark for the size of paper you will load.



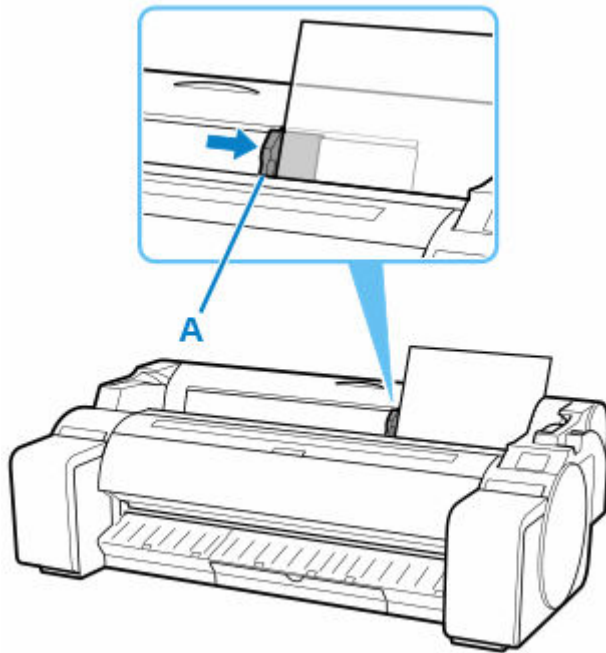
3. Load a single sheet printing-side up in the feed slot, with the right edge aligned with the paper alignment line (A) to the right of the roll paper cover.

Insert the paper until the leading edge makes contact.



4. Move the width guide (A) carefully to match the size of paper loaded.

Set the width guide against the edge of the paper to prevent the paper from becoming crooked or wrinkled.



## 5. Tap **Start feeding**.

- **If a print job was received**

Tap **Start feeding** to feed the paper and begin printing.

- **If no print job was received**

A menu for selecting the media type appears.

Select the media type loaded and tap **OK**.

The printer now starts feeding the paper.

### »» Note

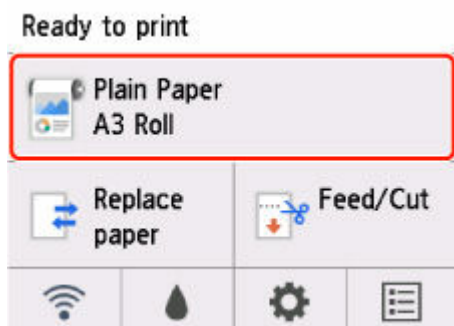
- For details on media types that you can select, see "Paper Information List."

## Printing From a Desired Starting Point

Print on sheets from a desired starting point as follows.

### Setting Detect paper width to Disable

1. Tap paper settings display area on Home screen of operation panel.



#### ▶▶▶ Note

- If the Home screen does not appear, press the **HOME** button.

2. Tap **Paper settings**.
3. Tap **Advanced**.
4. Select **Detect paper width** and tap **Disable**.

### Load paper in the desired position to start printing from

Follow these instructions to load paper at the desired starting position for printing when **Detect paper width** is set to **Disable**.

1. If you did not send a print job in advance, a menu for selection of the type of paper is displayed.

Tap media type loaded.

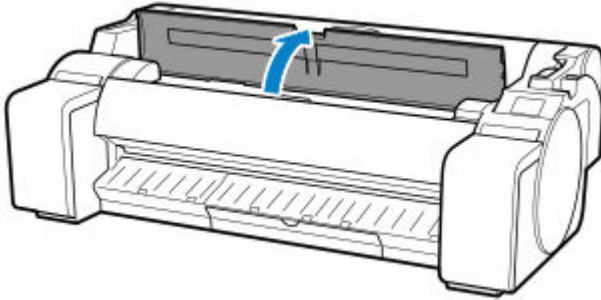
#### ▶▶▶ Note

- If a print job was received before the paper was fed, the media type and size specified by the job are shown on the operation panel.

Go to step 2.

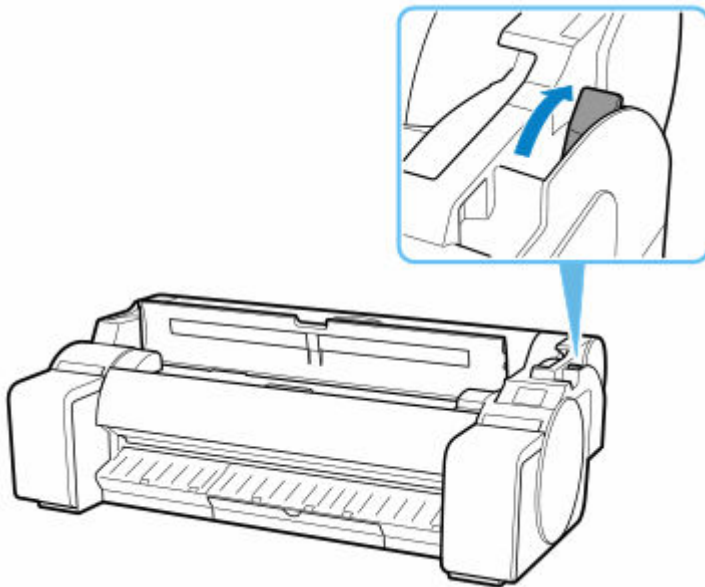
2. When "[**Detect paper width**] is disabled. Do you want to keep it disabled and continue?" appears on operation panel, tap **Keep it disabled and continue**.

3. Open top cover and check position where paper is loaded.

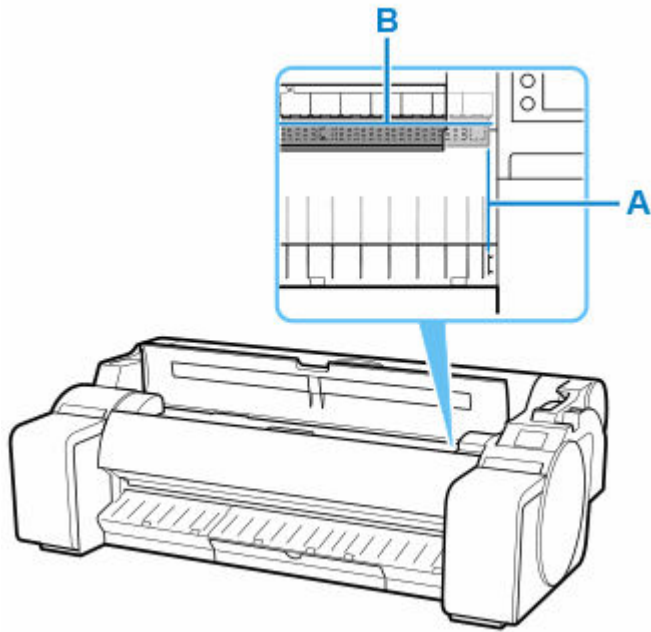


To start printing from the current position, close the top cover.

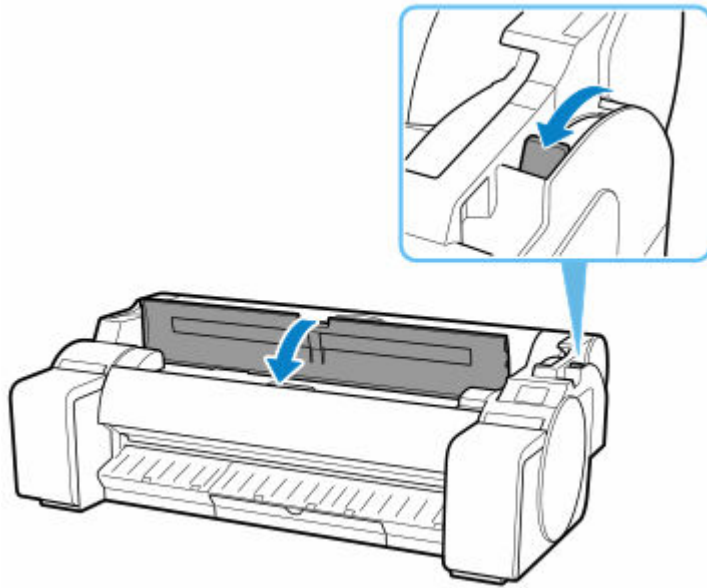
To reposition the paper, push the release lever back.



4. Load paper keeping right edge of paper aligned with extended line of paper alignment line (A) on right side of printer and position from which to start printing aligned with groove (B) at far end of platen.



5. Pull the release lever forward and close the top cover.

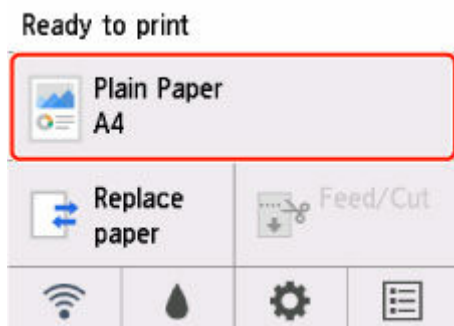


6. When screen for selecting paper size appears, select size of paper loaded.

## Removing Sheets

Remove sheets from the printer as follows.

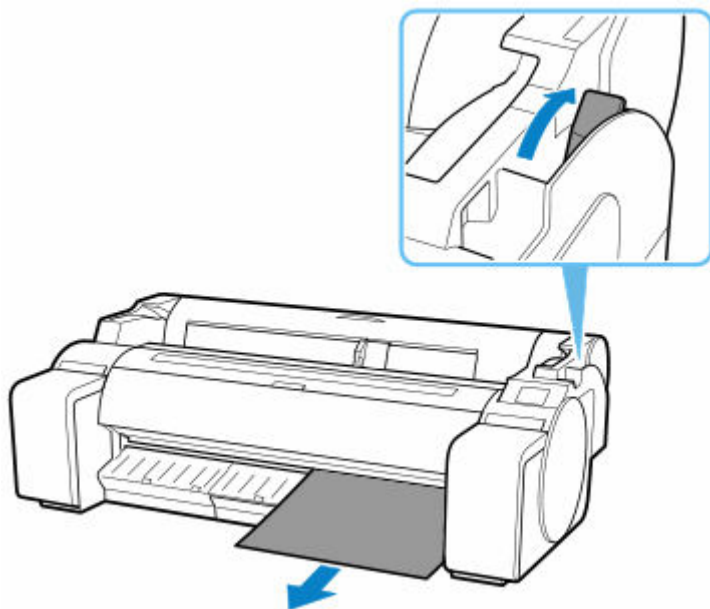
1. Tap paper settings display area on Home screen of operation panel.



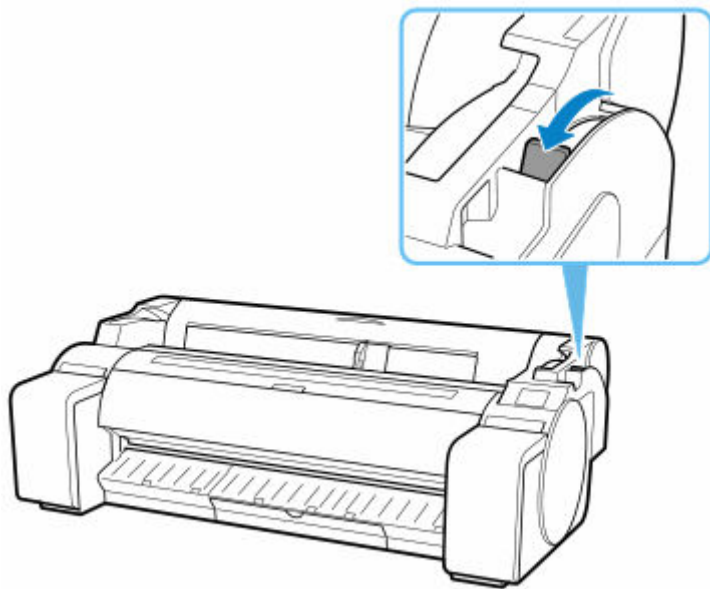
### ▶▶▶ Note

- If the Home screen does not appear, press the **HOME** button.

2. Tap **Remove paper**.
3. Check operation panel message and tap **Yes**.  
The paper is ejected from the front of the printer.
4. Holding the paper, push the release lever back and remove the sheet.



5. Pull the release lever forward.



## Basket

---

- ▶ **Using the Basket**

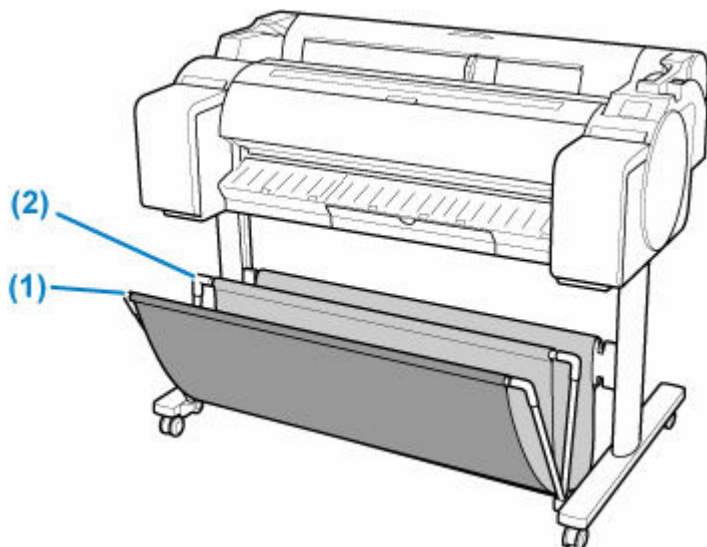


## Using the Basket

You can store printed documents in the basket.

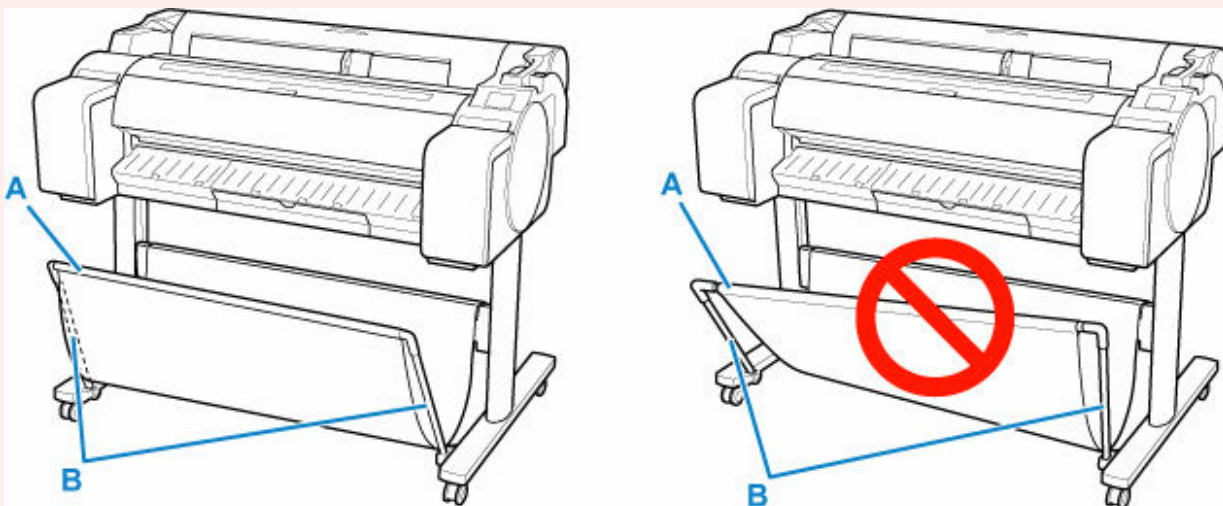
When storing printed documents in the basket, use the basket in position (1).

When you are not using the basket, store it in position (2).



### »» Important

- When storing printed documents on the basket, always use it in position (1). If you do not, printed documents may not be dropped into the basket, and the printed surface may become soiled.
- To store printed documents in the basket, first pull down the side rod (B) evenly so that the front rod (A) is not askew, and then use the basket.



- The number of sheets that can be collected in the basket is one. If printing multiple pages, print after removing each sheet.
- The basket can hold printed documents from paper up to 48 inches (1219.2 mm) long.
- When moving the stand, make sure that the basket does not graze the floor and that all four of the casters are unlocked before moving the stand. Not doing so may damage the basket, scratch the floor, or cause injuries.

- If the cloth part of the basket becomes dirty, wipe off the dirt without washing. Washing it may affect the performance of the basket.

## Changing Printer's Setting

---

### ▶ Changing Settings from Operation Panel

- Home Screen Menu Composition
- Menu Structure
- Setting Items on Operation Panel
- Setting Administrator Password on Operation Panel
- Erasing Data on Printer's Hard Disk
- Status Print

### ▶ Changing Printer's Setting Using Web Browser

- Start up Remote UI
- Changeable Setting Items Using Remote UI
- Setting Passwords Using Remote UI
- Registering Printer's Root Certificate to Web Browser for SSL Communication
- Registering Printer's Root Certificate to Local Computer for SSL Communication
- Generating Server Certificate
- Setting Mail Server
- Receiving Printer Status by E-mail

### ▶ Migrating Printer's Setting

### ▶ Initializing Printer's Setting

## **Changing Settings from Operation Panel**

---

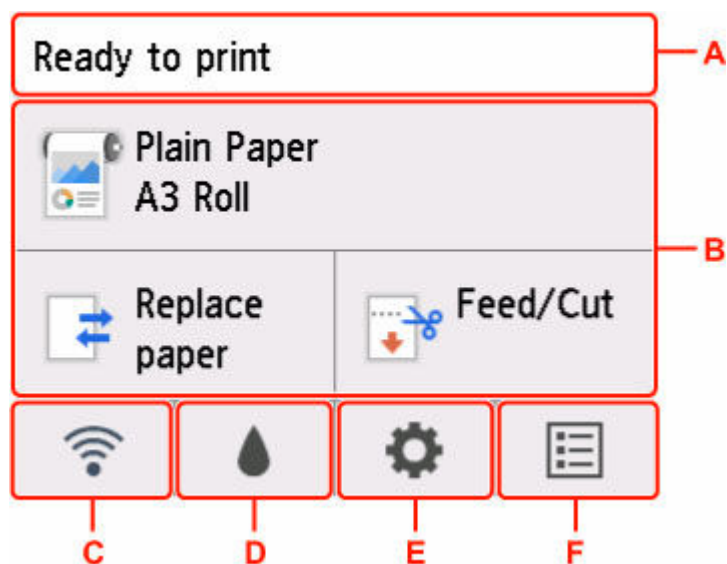
- **Home Screen Menu Composition**
- **Menu Structure**
- **Setting Items on Operation Panel**
- **Setting Administrator Password on Operation Panel**
- **Erasing Data on Printer's Hard Disk**
- **Status Print**

## Home Screen Menu Composition

After the printer starts up, the HOME screen appears on the touch screen.

From the HOME screen, you can check the printer status and select the maintenance, paper operations, settings, and other menus.

➔ [Basic Touch Screen Operations](#)



### A: Printer Information Display Area

Displays the printer status, messages, and other information. Tap this item when a message appears to view the message on the list screen and to jump to the screen with detailed information and operations.

➔ [Notification Messages](#)

### B: Paper Setting Display Area

Displays the information on loaded paper on the upper area. Tapping this option displays the menu relating paper and allows the paper settings. **Replace paper** and **Feed/Cut** frequently used in the menu appears on the lower area, and you can directly select.

### C: Network

Displays the current network status. Select to display the basic network information or to change the network settings.

The icon differs depending on the network of use or the network status.



Wi-Fi is enabled and the printer is connected to the wireless router.

### ▶▶▶ Note

- Depending on the signal state, the icon will change.



(Signal strength: 81 % or more): You can use the printer over a Wi-Fi without any problems.



(Signal strength: 51 % or more): The problem such as the printer cannot print may occur according to the network status. We recommends placing the printer near the wireless router.



(Signal strength: 50 % or less): The problem such as the printer cannot print may occur.  
Place the printer near the wireless router.



Wi-Fi is enabled but the printer is not connected to the wireless router.



Wired LAN is enabled.



Wireless Direct is enabled.



Wi-Fi and Wired LAN are disabled.

#### D: Ink information

Selects when checking current estimated ink levels or replacing ink tanks.

#### E: Setup

Selects when changing the printer settings, performing maintenance, or checking printer information.

#### F: Job management

Select when setting up print job managements or printing data on a USB flash drive.

#### ▶▶▶ Note

- By default, menu settings apply to all print jobs. However, for settings that are also available in the printer driver, the values specified in the printer driver take priority.

## Basic Touch Screen Operations

You can select various functions and settings by gently touching and swiping the touch screen with your fingertip.

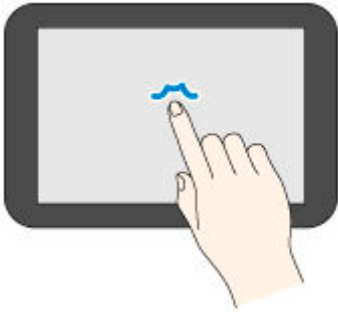
#### ▶▶▶ Important

- Take the following precautions when operating the touch screen. Otherwise, the touch screen may malfunction or become damaged.
  - Do not forcibly press the touch screen with your finger.
  - Do not press the touch screen with an object other than your finger (such as a ballpoint pen, pencil, fingernail, or other object with a sharp tip).
  - Do not operate the touch screen with wet or dirty hands.
  - Do not place objects on top of the touch screen.
- Do not place a protective film over the touch screen. Removing it can damage the touch screen.

#### Tap

Gently touch with your fingertip and then release.

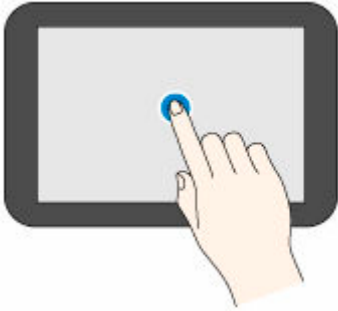
Use this when selecting an item on the screen.



### Touch

Gently touch with your fingertip.

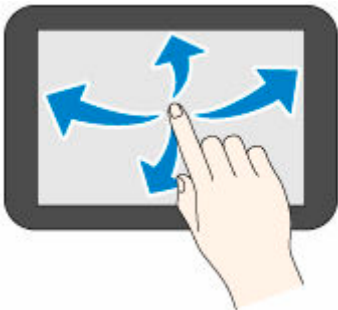
To go (or return) to a menu or list, touch the directional mark.



### Flick

Drag and release your finger up, down, left, or right.

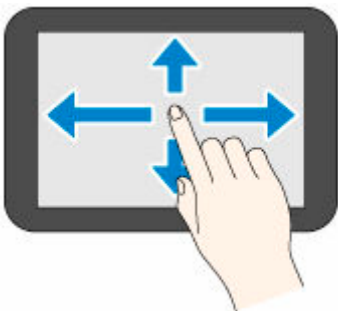
Use this to quickly scroll through a menu or list.



### Drag

Move your finger up, down, left, or right while gently keeping it in contact with the touch screen.

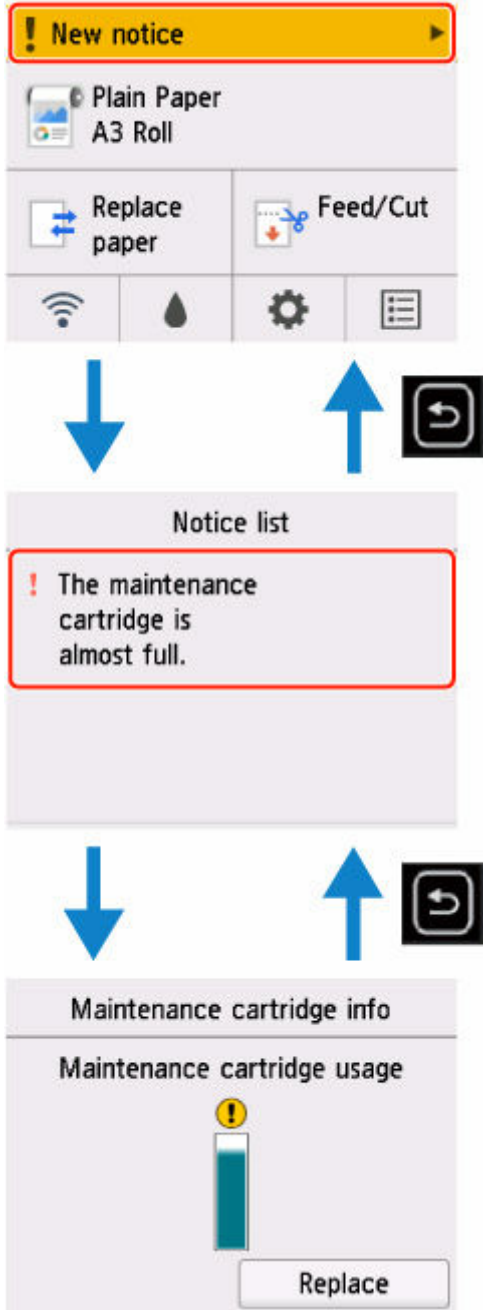
Use this to move a menu or list while viewing it.



## Notification Messages

When the ink is low or there is another notification, **New notice** appears in the printer information display area. Tap this to display the **Notice list** screen to view messages with the newest one appearing first. Tap a message to display the message details screen to view the details and take action.

Example: Notices on the maintenance cartridge





## Menu Structure

The \* on the right side of an item indicates the default value.

Values may vary depending on your model and firmware version.

- **Paper menu (when roll paper is loaded)**

This menu is displayed by tapping paper information area.

Replace paper	
Feed/Cut	
Remove paper	
Paper settings	
	Width
	Type
	<a href="#">Advanced</a>
Buy paper	

- **Paper menu (when cut sheet is loaded)**

This menu is displayed by tapping paper information area.

Replace paper	
Remove paper	
Paper settings	
	Page size
	Type
	<a href="#">Advanced</a>
Buy paper	

- **Replace paper**

- **Feed/Cut**

This menu is displayed when roll paper is loaded.

- **LAN settings**

This menu is displayed by tapping **Network** icon.

Wi-Fi	
	Connection
	Network name (SSID)
	Communication mode
	Channel
	Wi-Fi security

<b>IPv4 address</b>
<b>IPv4 subnet mask</b>
<b>IPv4 default gateway</b>
<b>IPv4 DNS dynamic settings</b>
<b>IPv4 DNS host name</b>
<b>IPv4 DNS domain name</b>
<b>IPv6 link-local address</b>
<b>IPv6 link-local prefix length</b>
<b>IPv6 manual address</b>
<b>IPv6 manual prefix length</b>
<b>IPv6 stateless address 1</b>
<b>IPv6 stateless prefix length 1</b>
<b>IPv6 stateless address 2</b>
<b>IPv6 stateless prefix length 2</b>
<b>IPv6 stateless address 3</b>
<b>IPv6 stateless prefix length 3</b>
<b>IPv6 stateless address 4</b>
<b>IPv6 stateless prefix length 4</b>
<b>DHCPv6</b>
<b>DHCPv6 stateful address</b>
<b>DHCPv6 stateful prefix length</b>
<b>IPv6 default gateway 1</b>
<b>IPv6 default gateway 2</b>
<b>IPv6 default gateway 3</b>
<b>IPv6 default gateway 4</b>
<b>IPv6 primary DNS server address</b>
<b>IPv6 secondary DNS server add.</b>
<b>IPv6 DNS dyn. update: manual</b>
<b>IPv6 DNS dyn. update: stateless</b>
<b>IPv6 DNS dyn. update: stateful</b>
<b>IPv6 Use IPv4 host/domain name</b>
<b>IPv6 DNS host name</b>
<b>IPv6 DNS domain name</b>
<b>MAC address</b>
<b>IPsec settings</b>
<b>Printer name</b>

<b>Bonjour service name</b>	
<b>Settings</b>	
	<b>Enable/disable Wi-Fi</b>
	Enable / Disable
	<b>Wi-Fi setup</b>
	<b>Easy wireless connect</b>
	<b>Manual connect</b>
	<b>WPS (Push button method)</b>
	<b>Other connection types</b>
	Manual connect (adv.)
	WPS (PIN code method)
	<a href="#">Advanced</a>

<b>Wireless Direct</b>		
	<b>Connection</b>	
	<b>Network name (SSID)</b>	
	<b>Password</b>	
	<b>Communication mode</b>	
	<b>Channel</b>	
	<b>Wi-Fi security</b>	
	<b>IPv4 address</b>	
	<b>IPv4 subnet mask</b>	
	<b>IPv4 default gateway</b>	
	<b>IPv4 DNS dynamic settings</b>	
	<b>IPv4 DNS host name</b>	
	<b>IPv4 DNS domain name</b>	
	<b>IPv6 link-local address</b>	
	<b>IPv6 link-local prefix length</b>	
	<b>MAC address</b>	
	<b>IPsec settings</b>	
	<b>Printer name</b>	
	<b>Bonjour service name</b>	
	<b>Settings</b>	
		<b>Enable/disable Wireless Direct</b>
Yes / No		
<b>Update SSID/password</b>		
Yes / No		

	<b>Wireless Direct network (SSID)</b>
	<b>Connection request confirmation</b>
	ON* / OFF
	<a href="#">Advanced</a>

<b>Wired LAN</b>	
	<b>Connection</b>
	<b>IPv4 address</b>
	<b>IPv4 subnet mask</b>
	<b>IPv4 default gateway</b>
	<b>IPv4 DNS dynamic settings</b>
	<b>IPv4 DNS host name</b>
	<b>IPv4 DNS domain name</b>
	<b>IPv6 link-local address</b>
	<b>IPv6 link-local prefix length</b>
	<b>IPv6 manual address</b>
	<b>IPv6 manual prefix length</b>
	<b>IPv6 stateless address 1</b>
	<b>IPv6 stateless prefix length 1</b>
	<b>IPv6 stateless address 2</b>
	<b>IPv6 stateless prefix length 2</b>
	<b>IPv6 stateless address 3</b>
	<b>IPv6 stateless prefix length 3</b>
	<b>IPv6 stateless address 4</b>
	<b>IPv6 stateless prefix length 4</b>
	<b>DHCPv6</b>
	<b>DHCPv6 stateful address</b>
	<b>DHCPv6 stateful prefix length</b>
	<b>IPv6 default gateway 1</b>
	<b>IPv6 default gateway 2</b>
	<b>IPv6 default gateway 3</b>
	<b>IPv6 default gateway 4</b>
	<b>IPv6 primary DNS server address</b>
	<b>IPv6 secondary DNS server add.</b>
	<b>IPv6 DNS dyn. update: manual</b>
	<b>IPv6 DNS dyn. update: stateless</b>
	<b>IPv6 DNS dyn. update: stateful</b>

IPv6 Use IPv4 host/domain name	
IPv6 DNS host name	
IPv6 DNS domain name	
MAC address	
IPsec settings	
Printer name	
Bonjour service name	
Settings	
	Enable/disable Wired LAN
	Enable / Disable
	<a href="#">Advanced</a>

Print details
---------------

- **Ink information**

This menu is displayed by tapping **Ink** icon.

Current estimated ink levels
Replace
Order ink now

- **Setup**

This menu is displayed by tapping **Setup** icon.

<b>Printer settings</b>	
<b>Test print</b>	
	Nozzle Check
	Status print
	Status print (administrator)
	Print LAN details
	Print the print settings
	Print advanced paper settings
	Print job history
	Print menu map
	Print the color chart
<b>Print settings</b>	
	Print head movable width setting
	Data width* / Maximum movable width / Paper width
	Prioritize paper size

	<b>Enable / Disable*</b>
<b>Magnification level for borderless</b>	
	<b>Large / Medium* / Small / Minimum</b>
<b>PDF print settings</b>	
<b>Print quality settings</b>	
	<b>Color mode</b>
	<b>Color (perceptual) / Color (saturation)* / Color (correct off) / Monochrome / FL spot color</b>
	<b>Print quality</b>
	<b>5 (Fast) / 4 / 3* / 2 / 1 (High)</b>
	<b>Input resolution</b>
	<b>600 dpi / 300 dpi*</b>
	<b>Print target</b>
	<b>Photo / Poster (fluorescent)*</b>
<b>Paper settings</b>	
	<b>Paper src</b>
	<b>Auto select* / Roll paper / Manual</b>
	<b>Margin</b>
	<b>3mm* / 5mm</b>
	<b>Border</b>
	<b>Borderless / Bordered*</b>
	<b>Oversize</b>
	<b>Enable / Disable*</b>
	<b>Save paper</b>
	<b>ON / OFF*</b>
	<b>Rotate</b>
	<b>0 degrees* / 90 degrees</b>
	<b>Auto rotation</b>
	<b>ON / OFF*</b>
	<b>Enlarge/Reduce</b>
	<b>Fit paper size* / Same size / Scaling</b>
	<b>Print centered</b>
	<b>ON / OFF*</b>
	<b>Cut to standard size</b>
	<b>ON / OFF*</b>
<b>Line &amp; pen manager</b>	

	<b>Width correction</b>
	Black/gray
	Color
<b>Processing options</b>	
	<b>Warning display</b>
	Enable / Disable*
<b>JPEG print settings</b>	
<b>Print quality settings</b>	
	<b>Color mode</b>
	Color (perceptual) / Color (saturation)* / Color (correct off) / Monochrome / FL spot color
	<b>Print quality</b>
	5 (Fast) / 4 / 3* / 2 / 1 (High)
	<b>Input resolution</b>
	600 dpi / 300 dpi* / Specify print job
	<b>Print target</b>
	Photo / Poster (fluorescent)*
<b>Paper settings</b>	
	<b>Paper src</b>
	Auto select* / Roll paper / Manual
	<b>Margin</b>
	3mm* / 5mm
	<b>Border</b>
	Borderless / Bordered*
	<b>Rotate</b>
	0 degrees* / 90 degrees
	<b>Auto rotation</b>
	ON / OFF*
	<b>Enlarge/Reduce</b>
	Fit paper size* / Same size / Scaling
	<b>Print centered</b>
	ON / OFF*
	<b>Cut to standard size</b>
	ON / OFF*
<b>Print from USB flash settings</b>	
	<b>Print quality settings</b>

<b>Color mode</b>	
	Color (perceptual) / Color (saturation)* / Color (correct off) / Monochrome / FL spot color
<b>Print quality</b>	
	5 (Fast) / 4 / 3* / 2 / 1 (High)
<b>Print target</b>	
	Photo / Poster (fluorescent)*
<b>Paper settings</b>	
<b>Paper src</b>	
	Auto select* / Roll paper / Manual
<b>Margin</b>	
	3mm* / 5mm
<b>Border</b>	
	Borderless / Bordered*
<b>Rotate</b>	
	0 degrees* / 90 degrees
<b>Auto rotation</b>	
	ON / OFF*
<b>Enlarge/Reduce</b>	
	Fit paper size* / Same size / Scaling
<b>Print centered</b>	
	ON / OFF*
<b>Cut to standard size</b>	
	ON / OFF*
<b>AirPrint print settings</b>	
<b>Print quality settings</b>	
<b>Color mode</b>	
	Color (perceptual) / Color (saturation)* / Color (correct off) / Monochrome / FL spot color
<b>Print resolution</b>	
	Standard* / Speed priority / Print priority
<b>Print target</b>	
	Photo / Poster (fluorescent)*
<b>Paper settings</b>	
<b>No Top/Btm Space (Save Paper)</b>	
	ON / OFF*



		<b>Unidirectional printing</b>	
			Enable / Disable*
<b>Direct print settings from FTP</b>			
<b>Print settings 1</b>			
<b>Print quality settings</b>			
		<b>Color mode</b>	
		Color (perceptual) / Color (saturation)* / Color (correct off) / Monochrome / FL spot color	
<b>Print quality</b>			
		5 (Fast) / 4 / 3* / 2 / 1 (High)	
<b>Input resolution</b>			
		600 dpi / 300 dpi* / Specify print job	
<b>Print target</b>			
		Photo / Poster (fluorescent)*	
<b>Paper settings</b>			
		<b>Paper src</b>	
		Auto select* / Roll paper / Manual	
<b>Margin</b>			
		3mm* / 5mm	
<b>Border</b>			
		Borderless / Bordered*	
<b>Oversize</b>			
		Enable* / Disable	
<b>Save paper</b>			
		ON / OFF*	
<b>Rotate</b>			
		0 degrees* / 90 degrees	
<b>Auto rotation</b>			
		ON / OFF*	
<b>Enlarge/Reduce</b>			
		Fit paper size* / Same size / Scaling	
<b>Print centered</b>			
		ON / OFF*	
<b>Cut to standard size</b>			
		ON / OFF*	
<b>Line &amp; pen manager</b>			

	<b>Width correction</b>
	Black/gray
	Color
<b>Processing options</b>	
	<b>Warning display</b>
	Enable / Disable*
<b>Print settings 2</b>	
<b>Print quality settings</b>	
	<b>Color mode</b>
	Color (perceptual) / Color (saturation)* / Color (correct off) / Monochrome / FL spot color
	<b>Print quality</b>
	5 (Fast) / 4 / 3* / 2 / 1 (High)
	<b>Input resolution</b>
	600 dpi / 300 dpi* / Specify print job
	<b>Print target</b>
	Photo / Poster (fluorescent)*
<b>Paper settings</b>	
	<b>Paper src</b>
	Auto select* / Roll paper / Manual
	<b>Margin</b>
	3mm* / 5mm
	<b>Border</b>
	Borderless / Bordered*
	<b>Oversize</b>
	Enable* / Disable
	<b>Save paper</b>
	ON / OFF*
	<b>Rotate</b>
	0 degrees* / 90 degrees
	<b>Auto rotation</b>
	ON / OFF*
	<b>Enlarge/Reduce</b>
	Fit paper size* / Same size / Scaling
	<b>Print centered</b>
	ON / OFF*

<b>Cut to standard size</b>	
	ON / OFF*
<b>Line &amp; pen manager</b>	
<b>Width correction</b>	
	Black/gray
	Color
<b>Processing options</b>	
<b>Warning display</b>	
	Enable / Disable*
<b>Print settings 3</b>	
<b>Print quality settings</b>	
<b>Color mode</b>	
	Color (perceptual) / Color (saturation)* / Color (correct off) / Monochrome / FL spot color
<b>Print quality</b>	
	5 (Fast) / 4 / 3* / 2 / 1 (High)
<b>Input resolution</b>	
	600 dpi / 300 dpi* / Specify print job
<b>Print target</b>	
	Photo / Poster (fluorescent)*
<b>Paper settings</b>	
<b>Paper src</b>	
	Auto select* / Roll paper / Manual
<b>Margin</b>	
	3mm* / 5mm
<b>Border</b>	
	Borderless / Bordered*
<b>Oversize</b>	
	Enable* / Disable
<b>Save paper</b>	
	ON / OFF*
<b>Rotate</b>	
	0 degrees* / 90 degrees
<b>Auto rotation</b>	
	ON / OFF*
<b>Enlarge/Reduce</b>	

	<b>Fit paper size* / Same size / Scaling</b>
<b>Print centered</b>	
	<b>ON / OFF*</b>
<b>Cut to standard size</b>	
	<b>ON / OFF*</b>
<b>Line &amp; pen manager</b>	
	<b>Width correction</b>
	<b>Black/gray</b>
	<b>Color</b>
<b>Processing options</b>	
	<b>Warning display</b>
	<b>Enable / Disable*</b>
<b>Print settings 4</b>	
<b>Print quality settings</b>	
	<b>Color mode</b>
	<b>Color (perceptual) / Color (saturation)* / Color (correct off) / Monochrome / FL spot color</b>
	<b>Print quality</b>
	<b>5 (Fast) / 4 / 3* / 2 / 1 (High)</b>
	<b>Input resolution</b>
	<b>600 dpi / 300 dpi / Specify print job*</b>
	<b>Print target</b>
	<b>Photo / Poster (fluorescent)*</b>
<b>Paper settings</b>	
	<b>Paper src</b>
	<b>Auto select* / Roll paper / Manual</b>
	<b>Margin</b>
	<b>3mm* / 5mm</b>
	<b>Border</b>
	<b>Borderless / Bordered*</b>
	<b>Oversize</b>
	<b>Enable* / Disable</b>
	<b>Save paper</b>
	<b>ON / OFF*</b>
	<b>Rotate</b>
	<b>0 degrees* / 90 degrees</b>

			<b>Auto rotation</b>
			ON / OFF*
			<b>Enlarge/Reduce</b>
			Fit paper size* / Same size / Scaling
			<b>Print centered</b>
			ON / OFF*
			<b>Cut to standard size</b>
			ON / OFF*
		<b>Line &amp; pen manager</b>	
		<b>Width correction</b>	
			Black/gray
			Color
		<b>Processing options</b>	
		<b>Warning display</b>	
			Enable / Disable*
<b>Default print settings</b>			
	<b>Print quality settings</b>		
		<b>Color mode</b>	
		Color (perceptual) / Color (saturation)* / Color (correct off) / Monochrome / FL spot color	
		<b>Print quality</b>	
		5 (Fast) / 4 / 3* / 2 / 1 (High)	
		<b>Print target</b>	
		Photo / Poster (fluorescent)*	
	<b>Print the print settings</b>		
<b>LAN settings</b>			
The lower items of this menu are the same as the lower items of <a href="#">LAN settings</a> displayed by tapping <b>Network</b> icon.			
<b>Paper-related settings</b>			
	<b>Keep media type</b>		
		Enable / Disable*	
	<b>Manage remaining roll amount</b>		
		Barcodes / Warning message only / Disable*	
	<b>Roll amount warning settings</b>		
		Roll amount 6 (earlier warning) / Roll amount 5 / Roll amount 4 / Roll amount 3 (standard)* / Roll amount 2 / Roll amount 1 (later warning)	
	<b>Detect paper setting mismatch</b>		

	Pause / Display warning* / Do not detect / Hold job
<b>Advanced paper settings</b>	
<b>Paper size recognition settings</b>	
	Roll paper setting 1
	Roll paper setting 2
	Roll paper setting 3
	Roll paper setting 4
	Roll paper setting 5
	Roll paper setting 6
	Roll paper setting 7
<b>Keep margin at cut sheet end</b>	
	Enable / Disable*
<b>Auto feed at power on</b>	
	Enable* / Disable
<b>Add priority roll paper width</b>	
	Setting 1
	Setting 2
	Setting 3
<b>Print advanced paper settings</b>	
<b>Reset paper settings for all paper</b>	
<b>Auto maintenance settings</b>	
	Auto nozzle check
	Standard* / 1 page / 10 pages / Disable
<b>Nozzle check error display</b>	
	Enable / Disable*
<b>System Cleaning frequency</b>	
	Standard* / Short
<b>Print pattern after new head</b>	
	ON* / OFF
<b>Hard disk settings</b>	
	Output method
	Print* / Print (auto delete) / Save to job box
<b>Save first and print</b>	
	ON / OFF*
<b>Common job box settings</b>	
	Print* / Print (auto delete)

<b>File deletion settings</b>	
	Fast* / Fast secure / Secure / Secure (VSITR)
<b>Data deletion</b>	
	Fast
	Fast secure
	Secure
	Secure (VSITR)
<b>Monitoring service settings</b>	
<b>Enable/disable monitoring service</b>	
	Enable / Disable*
<b>Communication test</b>	
<b>Communication log</b>	
<b>Warning notification settings</b>	
	Enable* / Disable
<b>Other printer settings</b>	
<b>Energy saving settings</b>	
<b>Auto power off</b>	
	5 minutes / 10 min. / 30 min. / 1 hour / 4 hours / 8 hours / 12 hours / OFF
<b>Sleep timer</b>	
	5 minutes* / 10 min. / 15 min. / 20 min. / 30 min. / 40 min. / 50 min. / 60 min.
<b>Use USB connection</b>	
	Use* / Do not use
<b>Date/time settings</b>	
<b>Date display format</b>	
	YYYY/MM/DD / MM/DD/YYYY / DD/MM/YYYY
<b>Time zone (GMT)</b>	
	0 / +1 / ... / +12 / -12 / ... / -1
<b>Sound control</b>	
<b>Keypad sound</b>	
	ON/ OFF*
<b>Alarm sound</b>	
	ON* / OFF
<b>Length unit settings</b>	
	Meters* / Feet/inches
<b>EOP timer settings</b>	
	1 minute / 2 minutes / 5 minutes / 10 minutes* / 30 minutes / 60 minutes

<b>Job history sending settings</b>	
	Send / Do not send*
<b>Printer info sending settings</b>	
	Agree / Do not agree
<b>Language selection</b>	
<b>Firmware update</b>	
	Install update
	Check current version
<b>Update notification settings</b>	
	Yes* / No
<b>DNS server setup</b>	
	Auto setup* / Manual setup
<b>Proxy server setup</b>	
	Use / Do not use*
<b>Security settings</b>	
<b>Administrator password settings</b>	
	Remote UI and other tools / LCD, Remote UI, and other tools
<b>Operation restrictions</b>	
<b>Job history</b>	
	Restrict / Do not restrict*
<b>Remote UI</b>	
	Restrict / Do not restrict*
<b>Print from USB flash drive</b>	
	Restrict / Do not restrict*
<b>IEEE802.1X settings</b>	
<b>Authentication</b>	
	Do not use* / TLS / TTLS / PEAP
<b>EAP-TTLS internal auth. method</b>	
	MSCHAPv2* / PAP
<b>Weak encryption restriction</b>	
	Restrict* / Do not restrict
<b>Weak certificate restriction</b>	
	Restrict* / Do not restrict
<b>Advanced setup</b>	
	User-ID
	Username



			<b>Password</b> <b>Authentication server name</b> <b>Verify auth. server name</b> <b>Verify auth. server certificates</b>
		<b>Last authentication result</b>	
<b>Import/export settings</b>			
	<b>Import</b>		
	<b>Export</b>		
<b>Initialize printer settings</b>			

<b>Maintenance</b>			
<b>Troubleshooting</b>			
<b>Nozzle Check</b>			
<b>Print Head Cleaning</b>			
	<b>Cleaning</b>		
	All colors / Pattern 1 / Pattern 2		
	<b>Deep Cleaning</b>		
	All colors / Pattern 1 / Pattern 2		
	<b>System Cleaning</b>		
	All colors / Pattern 1 / Pattern 2		
<b>Print Head Alignment</b>			
	Auto (standard)		
	Auto (advanced)		
	Manual		
<b>Print head angle adjustment</b>			
<b>Paper feed adjustment</b>			
	<b>Set priority</b>		
	Auto / Prioritize print quality / Prioritize length accuracy		
	<b>Adjust print quality</b>		
	Auto		
	Manual		
	<b>Adjust feed length</b>		
	Print alignment pattern		
	Change adjustment values		
		-0.70% / -0.68% / ... / 0.68% / 0.70%	
<b>Maintenance cartridge info</b>			
	Maintenance cartridge usage		

	Replace
<b>Head Replacement</b>	
	Start head replacement.
<b>Replace cutter blade unit</b>	
<b>Platen cleaning</b>	
<b>Prepare to move</b>	
	Move on the same floor
	Transport outdoors

<b>Printer information</b>	
<b>System information</b>	
	Current version
	Printer name
	Serial number
	MAC address (Wi-Fi)
	MAC address (Wired LAN)
	Root cert. thumbprint (SHA-1)
	Root cert. thumbprint (SHA-256)
<b>Hard disk information</b>	
	Hard disk capacity
	Job box free space
<b>Error history</b>	
	Hardware error
	Recoverable error
	Paper feed/transfer error
<b>Usage</b>	
	Total print area
	Ink consumed
	Duty counter
<b>Head information</b>	
	Serial number
	Installation date
	Dot count (million dots)
<b>Head alignment performance log</b>	
<b>Values applied with auto settings</b>	
	Paper thickness (head height)
	Transport unit vacuum strength

<b>Total print area</b>
-------------------------

- **Job management**

This menu is displayed by tapping **Jobs** icon.

<b>Print job</b>	
	<b>List of print jobs</b>

<b>Saved job</b>		
	<b>Job box list</b>	
		<b>Job list</b>
		<b>Print the job list</b>

<b>Print from USB flash drive</b>		
	Folder/file list	
		<b>Copies</b>
		Preview
		<b>Settings</b> The lower items of this menu are the same as the lower items of <a href="#">Print from USB flash settings</a> .
		<b>Start print</b>

<b>Job history</b>	
	<b>Display job history</b>
	<b>Print job history</b>

<b>Pause printing</b>	
	<b>Enable / Disable*</b>

<b>Delete all print jobs</b>
------------------------------

## Advanced (Paper settings)

Tap the paper information area and tap **Paper settings** to display this menu.

Advanced	
	<b>Roll length (change default)</b>
	<b>Paper thickness (head height)</b>
	Auto / -4 (Low) / -3 / -2 / 0 (Standard) / +1 / +2 / +3 (High)
	<b>Skew detection accuracy</b>
	Standard / Loose / OFF
	<b>Cutting mode</b>
	Automatic cut / Eject cut / User cut
	<b>Cut speed</b>
	Fast / Standard / Slow
	<b>Trim edge first</b>
	Auto / Off / On(Preset Length) / On(Input Length) / Manual
	<b>Cut-dust reduction</b>
	ON / OFF
	<b>Transport unit vacuum strength</b>
	Auto / Strong / Medium-strong / Standard / Medium-weak / Weak
	<b>Roll paper tension (printing)</b>
	High / Standard / Low
	<b>Roll paper tension (feeding)</b>
	High / Standard / Low
	<b>Pause between scans</b>
	<b>Ink drying wait time</b>
	OFF / 0.5 seconds / 1 second / 3 seconds / 5 seconds / 7 seconds / 9 seconds
	<b>Ink drying target area</b>
	Overall / Leading edge
	<b>Pause between pages</b>
	OFF / 30 seconds / 1 minute / 3 minutes / 5 minutes / 10 minutes / 30 minutes / 60 minutes
	<b>Leading edge margin (roll)</b>
	3mm / 20mm
	<b>Leading edge margin (sheet)</b>
	3mm / 20mm
	<b>Extension for borderless printing</b>
	Paper with recommended width

		<b>Large / Standard / Small</b>
	<b>Paper of sufficient width</b>	
		<b>Select extension amount</b>
		<b>1 (min) / 2 / 3 / 4 / 5 / 6 / 7 / 8 (max)</b>
	<b>Detect paper width</b>	
		<b>Enable / Disable</b>
	<b>Reset paper settings by paper</b>	

## Advanced (LAN settings)

This menu is displayed by tapping **Network** icon > **Wi-Fi / Wireless Direct / Wired LAN** > **Settings** > **Advanced**.

The \* on the right side of an item indicates the default value.

<b>Advanced</b>	
<b>Set printer name</b>	
<b>TCP/IP settings</b>	
<b>IPv4</b>	
	<b>IP address</b>
	Auto setup* / Manual setup
<b>DNS server</b>	
	<b>DNS server setup</b>
	Auto setup* / Manual setup
<b>Dynamic update settings</b>	
	Enable / Disable*
<b>Host name</b>	
<b>Domain name</b>	
<b>Proxy server</b>	
	Use / Do not use*
<b>DHCP option settings</b>	
	<b>Acquire host name</b>
	Enable / Disable*
<b>DNS dynamic update</b>	
	Enable / Disable*
<b>Acquire domain name</b>	
	Enable / Disable*
<b>IPv6</b>	
	<b>Enable/disable IPv6</b>
	Enable* / Disable
<b>IPsec settings</b>	
	Enable / Disable*
<b>Use DHCPv6</b>	
	Use* / Do not use
<b>Manual address</b>	
	Use / Do not use*

<b>DNS server</b>	
	<b>DNS server setup</b>
	Auto setup* / Manual setup
	<b>Dynamic update settings</b>
	IPv6 DNS dyn. update: manual
	Enable / Disable*
	IPv6 DNS dyn. update: stateless
	Enable / Disable*
	IPv6 DNS dyn. update: stateful
	Enable / Disable*
	<b>IPv6 Use IPv4 host/domain name</b>
	Enable / Disable*
	<b>IPv6 DNS host name</b>
	<b>IPv6 DNS domain name</b>
	<b>DHCP option settings</b>
<b>Acquire host name</b>	
Enable / Disable*	
<b>DNS dynamic update</b>	
Enable / Disable*	
<b>Acquire domain name</b>	
Enable / Disable*	
<b>WSD settings</b>	
<b>Enable/disable WSD</b>	
Enable / Disable*	
<b>Optimize inbound WSD</b>	
Enable* / Disable	
<b>Timeout settings</b>	
20 minutes / 15 minutes* / 10 minutes / 5 minutes / 1 minute	
<b>Bonjour settings</b>	
<b>Enable/disable Bonjour</b>	
Enable* / Disable	
<b>Service name</b>	
<b>SNTP settings</b>	
<b>Client operation status</b>	
Enable / Disable*	
<b>NTP server address</b>	

	Polling interval
<b>Spanning tree settings</b>	
	Enable / Disable*
<b>LPR protocol settings</b>	
	Enable* / Disable
<b>RAW protocol</b>	
	ON* / OFF
<b>LLMNR</b>	
	ON* / OFF
<b>Gigabit Ethernet settings</b>	
	Autonegotiation* / 10 Mbps half duplex / 10 Mbps full duplex / 100 Mbps half duplex / 100 Mbps full duplex / 1 Gbps full duplex
<b>Use Dedicated Port</b>	
	ON* / OFF
<b>IPP settings</b>	
	Enable/disable IPP
	Enable* / Disable
	Security Print
	Enable* / Disable
<b>Wi-Fi DRX settings</b>	
	Enable* / Disable
<b>Wired LAN DRX settings</b>	
	Enable* / Disable
<b>Reset SSL certificates</b>	
<b>Reset LAN settings</b>	



## Setting Items on Operation Panel

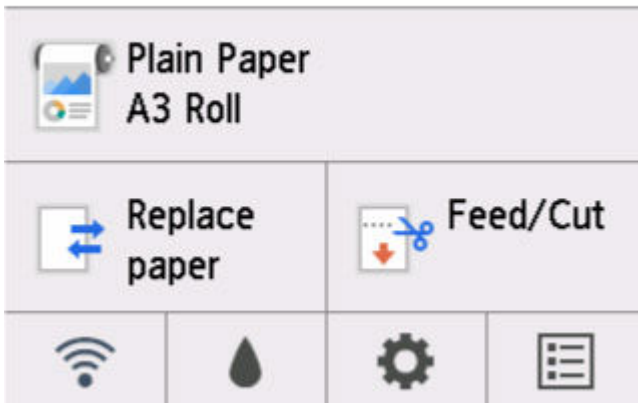
### ▶▶▶ Note

- The administrator password is required to change some setting items if it is enabled for changing settings using the operation panel.

For more on setting items which the administrator password is required:

➔ [Setting Administrator Password on Operation Panel](#)

Ready to print



[\(Network\)](#)



[\(Setup\)](#)

- Printer settings
  - [Test print](#)
  - [Print settings](#)
  - [LAN settings](#)
  - [Paper-related settings](#)
  - [Auto maintenance settings](#)
  - [Hard disk settings](#)
  - [Monitoring service settings](#)
  - [Other printer settings](#)
  - [Language selection](#)
  - [Firmware update](#)
  - [Security settings](#)
  - Import/export settings

➔ [Migrating Printer's Setting](#)

- **Initialize printer settings**

➔ [Initializing Printer's Setting](#)

- [Maintenance](#)

- [Printer information](#)



[\(Jobs\)](#)

# Maintenance

---



It will be displayed when you tap **(Setup)** on HOME screen.

- **Nozzle Check**

Prints out the nozzle check pattern.

➔ [Checking for Nozzle Clogging](#)

- **Print Head Cleaning**

Select this to clean the print head.

➔ [Cleaning the Print Head](#)

- **Print Head Alignment**

Adjusts the alignment of print head.

➔ [Automatic Adjustment to Straighten Lines and Colors](#)

➔ [Manual Adjustment to Straighten Lines and Colors](#)

- **Print head angle adjustment**

Adjusts the print head angle.

➔ [Adjusting Line Misalignment](#)

- **Paper feed adjustment**

Adjusts the paper feed amount.

➔ [Adjusting Feed Amount](#)

- **Maintenance cartridge info**

Displays the estimated usage of maintenance cartridge. Select **Replace** to replace the maintenance cartridge.

➔ [Replacing the Maintenance Cartridge](#)

- **Head Replacement**

Select this to replace the print head.

➔ [Replacing the Print Head](#)

- **Replace cutter blade unit**

Select this to replace the cutter blade.

➔ [Replacing the Cutter Blade](#)

- **Platen cleaning**

Select this to clean inside the top cover.

➔ [Cleaning Inside the Top Cover](#)

- **Prepare to move**

Select this to prepare for transporting the printer.

➡ [Preparing to Transfer the Printer](#)

## Job management



It will be displayed when you tap **(Jobs)** on HOME screen.

- **Print job**

Displays the print job list. Tapping a job displays the details. You can also delete or preempt jobs on this menu.

- **Saved job**

Displays the saved print job list. You can print / delete saved jobs and print job list on each job box.

### »» Note

- Enter the password if it is enabled for a personal job box using Remote UI.

- **Print from USB flash drive**

Displays a list of the data saved on the USB flash drive. You can set the print settings and print the data from this menu.

- **Job history**

### »» Important

- The administrator password is required to display the job history if it is enabled for changing settings using the operation panel.

- **Display job history**

Displays the print job history. Tapping a print job displays the details.

- **Print job history**

Prints out the print job history.

- **Pause printing**

Selecting **Enable** while a print job is in progress pauses the print job after the current job is completed.

- **Delete all print jobs**

Deletes all jobs in the job queue.

## LAN settings



This setting item is displayed by tapping **Printer settings** after tapping **(Setup)** on the HOME screen.

### Important

- The administrator password is required to change settings if it is enabled for changing settings using the operation panel.

### Note



- You can also enter **LAN settings** by tapping **(Network)** on the HOME screen.

### Wi-Fi

The following setting information on the Wi-Fi connection is displayed. (Some items are not displayed depending on printer settings.)

Items	Setting
Connection	Enabled (connected) / Enabled (disconnected) / Disable
Network name (SSID)	XXXXXXXXXXXXXXXXXXXX XXXXXXXXXXXXXXXXXXXX (up to 32 characters)
Communication mode	Infrastructure
Channel	1 - 13
Wi-Fi security	Disable / WEP (64 bit) / WEP (128 bit) / WPA-PSK (TKIP) / WPA-PSK (AES) / WPA2-PSK (TKIP) / WPA2-PSK (AES)
IPv4 address	XXX. XXX. XXX. XXX (12 characters)
IPv4 subnet mask	XXX. XXX. XXX. XXX (12 characters)
IPv4 default gateway	XXX. XXX. XXX. XXX (12 characters)
IPv4 DNS dynamic settings	Enable / Disable
IPv4 DNS host name	XXXXXXXXXXXXXXXX
IPv4 DNS domain name	XXXXXXXXXXXXXXXX
IPv6 link-local address	XXXX: XXXX: XXXX: XXXX: XXXX: XXXX: XXXX: XXXX (32 characters)
IPv6 link-local prefix length	XXX (up to 3 digits)
IPv6 manual address	XXXX: XXXX: XXXX: XXXX: XXXX: XXXX: XXXX: XXXX (32 characters)
IPv6 manual prefix length	XXX (up to 3 digits)
IPv6 stateless address 1	XXXX: XXXX: XXXX: XXXX: XXXX: XXXX: XXXX: XXXX (32 characters)

<b>IPv6 stateless prefix length 1</b>	XXX (up to 3 digits)
<b>IPv6 stateless address 2</b>	XXXX: XXXX: XXXX: XXXX: XXXX: XXXX: XXXX: XXXX (32 characters)
<b>IPv6 stateless prefix length 2</b>	XXX (up to 3 digits)
<b>IPv6 stateless address 3</b>	XXXX: XXXX: XXXX: XXXX: XXXX: XXXX: XXXX: XXXX (32 characters)
<b>IPv6 stateless prefix length 3</b>	XXX (up to 3 digits)
<b>IPv6 stateless address 4</b>	XXXX: XXXX: XXXX: XXXX: XXXX: XXXX: XXXX: XXXX (32 characters)
<b>IPv6 stateless prefix length 4</b>	XXX (up to 3 digits)
<b>DHCPv6</b>	<b>Enable / Disable</b>
<b>DHCPv6 stateful address</b>	XXXXXXXXXXXXXX
<b>DHCPv6 stateful prefix length</b>	XXX (up to 3 digits)
<b>IPv6 default gateway 1</b>	XXXX: XXXX: XXXX: XXXX: XXXX: XXXX: XXXX: XXXX (32 characters)
<b>IPv6 default gateway 2</b>	XXXX: XXXX: XXXX: XXXX: XXXX: XXXX: XXXX: XXXX (32 characters)
<b>IPv6 default gateway 3</b>	XXXX: XXXX: XXXX: XXXX: XXXX: XXXX: XXXX: XXXX (32 characters)
<b>IPv6 default gateway 4</b>	XXXX: XXXX: XXXX: XXXX: XXXX: XXXX: XXXX: XXXX (32 characters)
<b>IPv6 primary DNS server address</b>	XXXXXXXXXXXXXX
<b>IPv6 secondary DNS server add.</b>	XXXXXXXXXXXXXX
<b>IPv6 DNS dyn. update: manual</b>	<b>Enable / Disable</b>
<b>IPv6 DNS dyn. update: stateless</b>	<b>Enable / Disable</b>
<b>IPv6 DNS dyn. update: stateful</b>	<b>Enable / Disable</b>
<b>IPv6 Use IPv4 host/domain name</b>	<b>Enable / Disable</b>
<b>IPv6 DNS host name</b>	XXXXXXXXXXXXXX
<b>IPv6 DNS domain name</b>	XXXXXXXXXXXXXX
<b>MAC address</b>	XX:XX:XX:XX:XX:XX (12 characters)
<b>IPsec settings</b>	<b>Enable (ESP) / Enable (ESP &amp; AH) / Enable (AH) / Disable</b>
<b>Printer name</b>	XXXXXXXXXXXXXXXXXX (up to 15 characters)
<b>Bonjour service name</b>	XXXXXXXXXXXXXX XXXXXXXXXXXXXX XXXXXXXXXXXXXX XXXXXXXXXXXXXX (up to 52 characters)

("XX" represents alphanumeric characters.)

To change the setting, tap **Settings**.

- **Enable/disable Wi-Fi**

Select **Enable** to wirelessly connect via wireless router.

- **Wi-Fi setup**

Select how to setup Wi-Fi.

- **Easy wireless connect**

Select if you specify the settings of the access point information to the printer directly from a device (e.g. smartphone, or tablet) without operating the wireless router. Follow the on-screen instructions of the connecting device for the setup procedure.

- **Manual connect**

Select when you perform settings for Wi-Fi manually using the operation panel of the printer.

- **WPS (Push button method)**

Select when you perform settings for Wi-Fi using a wireless router supporting a Wi-Fi Protected Setup (WPS) push button method. Follow the on-screen instructions during setup.

- **Other connection types**

- **Manual connect (adv.)**

Select when you perform settings for Wi-Fi manually. You can specify multiple WEP keys.

- **WPS (PIN code method)**

Select when you perform settings for Wi-Fi using a wireless router supporting a Wi-Fi Protected Setup (WPS) PIN code method. Follow the on-screen instructions during setup.

### ▶▶▶ Note

- By tapping **Advanced**, you can set LAN in detail.

For the items that can be set, see the following.

➡ [Advanced](#)

- **Wireless Direct**

The following setting information on the Wireless Direct connection is displayed. (Some items are not displayed depending on printer settings.)

Items	Setting
Connection	Enable / Disable
Network name (SSID)	DIRECT-XXXX-GP-NNNN*1
Password	XXXXXXXXXX (10 characters)
Communication mode	Wireless Direct
Channel	3
Wi-Fi security	WPA2-PSK (AES)
IPv4 address	XXX. XXX. XXX. XXX (12 characters)
IPv4 subnet mask	XXX. XXX. XXX. XXX (12 characters)
IPv4 default gateway	XXX. XXX. XXX. XXX (12 characters)



<b>IPv4 DNS dynamic settings</b>	<b>Enable / Disable</b>
<b>IPv4 DNS host name</b>	XXXXXXXXXXXXXX
<b>IPv4 DNS domain name</b>	XXXXXXXXXXXXXX
<b>IPv6 link-local address</b>	XXXX: XXXX: XXXX: XXXX: XXXX: XXXX: XXXX: XXXX (32 characters)
<b>IPv6 link-local prefix length</b>	XXX (up to 3 digits)
<b>MAC address</b>	XX:XX:XX:XX:XX:XX (12 characters)
<b>IPsec settings</b>	<b>Disable</b>
<b>Printer name</b>	XXXXXXXXXXXXXXXXXX (up to 15 characters)
<b>Bonjour service name</b>	XXXXXXXXXXXXXX XXXXXXXXXXXXXX XXXXXXXXXXXXXX XXXXXXXXXXXXXX (up to 52 characters)

\*1 means printer's model name

("XX" represents alphanumeric characters.)

To change the setting, tap **Settings**.

- **Enable/disable Wireless Direct**

Select **Enable** to wirelessly connect without wireless router.

- **Update SSID/password**

Updates the identifier (SSID) and password.

- **Wireless Direct network (SSID)**

Changes the name (device name) of the printer displayed on Wi-Fi Direct compatible device.

- **Connection request confirmation**

Changes the display / non-display of the confirmation screen when Wi-Fi Direct compatible devices are connected to the printer.

### ▶▶▶ Note

- By tapping **Advanced**, you can set LAN in detail.

For the items that can be set, see the following.

➡ [Advanced](#)

- **Wired LAN**

The following setting information on the Wired LAN connection is displayed. (Some items are not displayed depending on printer settings.)

Items	Setting
<b>Connection</b>	<b>Enabled (connected) / Enabled (disconnected) / Disable</b>
<b>IPv4 address</b>	XXX. XXX. XXX. XXX (12 characters)
<b>IPv4 subnet mask</b>	XXX. XXX. XXX. XXX (12 characters)

IPv4 default gateway	XXX. XXX. XXX. XXX (12 characters)
IPv4 DNS dynamic settings	<b>Enable / Disable</b>
IPv4 DNS host name	XXXXXXXXXXXXXX
IPv4 DNS domain name	XXXXXXXXXXXXXX
IPv6 link-local address	XXXX: XXXX: XXXX: XXXX: XXXX: XXXX: XXXX: XXXX (32 characters)
IPv6 link-local prefix length	XXX (up to 3 digits)
IPv6 manual address	XXXX: XXXX: XXXX: XXXX: XXXX: XXXX: XXXX: XXXX (32 characters)
IPv6 manual prefix length	XXX (up to 3 digits)
IPv6 stateless address 1	XXXX: XXXX: XXXX: XXXX: XXXX: XXXX: XXXX: XXXX (32 characters)
IPv6 stateless prefix length 1	XXX (up to 3 digits)
IPv6 stateless address 2	XXXX: XXXX: XXXX: XXXX: XXXX: XXXX: XXXX: XXXX (32 characters)
IPv6 stateless prefix length 2	XXX (up to 3 digits)
IPv6 stateless address 3	XXXX: XXXX: XXXX: XXXX: XXXX: XXXX: XXXX: XXXX (32 characters)
IPv6 stateless prefix length 3	XXX (up to 3 digits)
IPv6 stateless address 4	XXXX: XXXX: XXXX: XXXX: XXXX: XXXX: XXXX: XXXX (32 characters)
IPv6 stateless prefix length 4	XXX (up to 3 digits)
DHCPv6	<b>Enable / Disable</b>
DHCPv6 stateful address	XXXXXXXXXXXXXX
DHCPv6 stateful prefix length	XXX (up to 3 digits)
IPv6 default gateway 1	XXXX: XXXX: XXXX: XXXX: XXXX: XXXX: XXXX: XXXX (32 characters)
IPv6 default gateway 2	XXXX: XXXX: XXXX: XXXX: XXXX: XXXX: XXXX: XXXX (32 characters)
IPv6 default gateway 3	XXXX: XXXX: XXXX: XXXX: XXXX: XXXX: XXXX: XXXX (32 characters)
IPv6 default gateway 4	XXXX: XXXX: XXXX: XXXX: XXXX: XXXX: XXXX: XXXX (32 characters)
IPv6 primary DNS server address	XXXXXXXXXXXXXX
IPv6 secondary DNS server add.	XXXXXXXXXXXXXX
IPv6 DNS dyn. update: manual	<b>Enable / Disable</b>
IPv6 DNS dyn. update: stateless	<b>Enable / Disable</b>
IPv6 DNS dyn. update: stateful	<b>Enable / Disable</b>
IPv6 Use IPv4 host/domain name	<b>Enable / Disable</b>

IPv6 DNS host name	XXXXXXXXXXXX
IPv6 DNS domain name	XXXXXXXXXXXX
MAC address	XX:XX:XX:XX:XX:XX (12 characters)
IPsec settings	Enable (ESP) / Enable (ESP & AH) / Enable (AH) / Disable
Printer name	XXXXXXXXXXXXXXXX (up to 15 characters)
Bonjour service name	XXXXXXXXXXXX XXXXXXXXXXXX XXXXXXXXXXXX XXXXXXXXXXXX (up to 52 characters)

("XX" represents alphanumeric characters.)

To change the setting, tap **Settings**.

- **Enable/disable Wired LAN**

Select **Enable** when connecting to wired LAN.

### ▶▶▶ Note

- By tapping **Advanced**, you can set LAN in detail.

For the items that can be set, see the following.

➡ [Advanced](#)

- **Print details**

Prints out the LAN setting information of the printer with Wi-Fi connection, wired LAN connection, wireless direct connection.

For the items that can be checked, see the following.

➡ [Printing Network Settings](#)

### ▶▶▶ Important

- Important information on your computer is stated on the paper on which the LAN setting information is printed. Please handle with care enough.

### ▶▶▶ Note

- You can also print out the LAN setting information by tapping in the following order.



(Setup) > **Printer settings** > **Test print** > **Print LAN details**

- **Advanced**

By tapping **Advanced** on each setting screen of Wi-Fi connection, wired LAN connection, wireless direct connection, LAN information can be set in detail.

### ▶▶▶ Important

- If the LAN is disabled, the following items can not be selected.

- **Set printer name**

Specifies the printer name. You can use up to 15 characters for the name.

**»»» Note**

- You cannot use the same printer name as that already used for other LAN connected devices.
- You cannot use a hyphen for the initial or last character of the printer name.

- **TCP/IP settings**

Performs IPv4 or IPv6 setting.

- **WSD settings**

Setting items when you use WSD (one of the network protocols supported in Windows 10, Windows 8.1, and Windows 7).

- **Enable/disable WSD**

Selects whether WSD is enabled or disabled.

**»»» Note**

- When this setting is enabled, the printer icon is displayed on the Network Explorer in Windows 10, Windows 8.1, and Windows 7.

- **Optimize inbound WSD**

Selecting **Enable** allows you to receive the WSD printing data faster.

- **Timeout settings**

Specifies the timeout length.

- **Bonjour settings**

Setting items for LAN using Bonjour.

- **Enable/disable Bonjour**

Selecting **Enable** allows you to use Bonjour to perform the network settings.

- **Service name**

Specifies the Bonjour service name. You can use up to 48 characters for the name.

**»»» Note**

- You cannot use the same service name as that already used for other LAN connected devices.

- **SNTP settings**

Performs various settings for SNTP (Simple Network Time Protocol).

- **Spanning tree settings**

Enables/Disables spanning tree. Selecting **Enable** avoids circulating data on a network.

- **LPR protocol settings**

Enables/Disables the LPR setting.

- **RAW protocol**

Enables/Disables RAW printing.

- **LLMNR**

Specifies ON/OFF of LLMNR (Link-Local Multicast Name Resolution). Selecting **ON** allows the printer to detect printer's IP address from the printer name without a DNS server.

- **Gigabit Ethernet settings**

Specifies the communication speed and communication method when using Gigabit Ethernet.

- **Use Dedicated Port**

Selects whether to use a dedicated port for a command sent from a Canon application to the printer. Selecting **ON** allows you to use the dedicated port.

- **IPP settings**

Selecting **Enable** allows you to print via the network with the IPP protocol.

If you use the security print function when printing using IPP protocol in AirPrint etc., select **Enable** for **Security Print**.

- **Wi-Fi DRX settings**

Selecting **Enable** allows you to activate discontinuous reception when using Wi-Fi.

- **Wired LAN DRX settings**

Selecting **Enable** allows you to activate discontinuous reception when the printer is connected to a device compatible with wired LAN.

- **Reset SSL certificates**

Initializes SSL certificate information.

- **Reset LAN settings**

Initializes the network settings on the printer.

After resetting, perform setup again as necessary.

## Test print



This setting item is displayed by tapping **Printer settings** after tapping **Setup** on the HOME screen.

- **Nozzle Check**

Prints out the nozzle check pattern.

➔ [Checking for Nozzle Clogging](#)

- **Status print**

Prints out the printer status and setting value information.

### ▶▶▶ Note

- **Status print (administrator)** is also displayed if the administrator password is enabled for changing settings using the operation panel.

➔ [Status Print](#)

- **Print LAN details**

Prints out the network setting information.

➔ [Printing Network Settings](#)

- **Print the print settings**

Prints out the print settings list.

- **Print advanced paper settings**

Prints out the setting values specified by **Advanced paper settings**.

- **Print job history**

Prints out a record of print jobs, including the paper type and size, amount of ink consumed, and so on. Ink consumption indicates a rough estimate of the amount of ink consumed per print job.

➔ [Job management](#)

- **Print menu map**

Prints out the menu list.

- **Print the color chart**

Prints out the color chart.

## Print settings



This setting item is displayed by tapping **Printer settings** after tapping **(Setup)** on the HOME screen.

- **Print head movable width setting**

Adjusts the print head movable width.

- **Prioritize paper size**

This is a setting item for roll paper.

Select **Enable** to use the paper size setting as the basis for printing instead of other settings. The text or images in the margin are not printed.

Select **Disable** to give priority to printing text or images.

### »» Note

- The printed paper length is longer than the actual paper length. This is because the printed paper includes the upper/lower margins specified by **Roll Paper Safety Margin** and **Near End Margin** in the printer driver and excludes the paper margins.

- **Magnification level for borderless**

Sets magnification level when performing borderless printing in the following print method.

Normally, the image is enlarged slightly and printed so that there is no border. If the border remains, change this setting.

- Printing JPEG file
- Printing using AirPrint
- Printing PDF file
- Printing data saved on the USB flash drive directly
- Printing directly from FTP

- **PDF print settings**

Performs PDF print settings.

- **JPEG print settings**

Performs JPEG print settings.

- **Print from USB flash settings**

Performs settings for printing data saved on the USB flash drive.

- **AirPrint print settings**

Performs **AirPrint print settings** when printing with AirPrint.

- **Direct print settings from FTP**

Performs print settings when printing directly from FTP. You can perform four settings individually.

- **Default print settings**

Prints out the default values of print settings.

- **Print the print settings**

Prints out the print settings list.



## Paper-related settings



This setting item is displayed by tapping **Printer settings** after tapping **(Setup)** on the HOME screen.

- **Keep media type**

Select **Enable** to keep using the same type of paper.

- **Manage remaining roll amount**

Selects the method to manage remaining roll amount and that to display warning when the roll is running short.

- **Barcodes**

Manages remaining roll amount by using a barcode.

By using the barcode every time you replace a roll, you can manage remaining roll amount properly. Specify the roll length properly when you load a new roll.

- **Warning message only**

Estimates remaining roll amount by using media type and roll diameter information. A warning appears when remaining roll amount comes closer to the specified value.

Depending on the environment you are using the printer, selecting this setting may not manage remaining roll amount as precisely as you expected. We recommend you select a higher value for this setting item.

- **Disable**

Select to disable managing remaining roll amount.

- **Roll amount warning settings**

Specifies when to warn the remaining roll paper amount.

- **Detect paper setting mismatch**

Selects printer action when you start printing with the paper size, the media type, and print settings different from those registered.

- **Advanced paper settings**

Specifies advanced paper settings for each paper type.

- **Paper size recognition settings**

Selects which size is preferred when paper size detection is enabled.

- **Roll paper setting 1**

Select whether B4 or 10 inch is applied when a roll of an intermediate size is detected.

- **Roll paper setting 2**

Select whether A3 or 300 mm is applied when a roll of an intermediate size is detected.

- **Roll paper setting 3**

Select whether 300 mm or 12 inch is applied when a roll of an intermediate size is detected.

- **Roll paper setting 4**

Select whether 500 mm or 20 inch is applied when a roll of an intermediate size is detected.

- **Roll paper setting 5**

Select whether B2 or 20 inch is applied when a roll of an intermediate size is detected.

- **Roll paper setting 6**

Select whether A1 or 600 mm is applied when a roll of an intermediate size is detected.

- **Roll paper setting 7**

Select whether 600 mm or 24 inch is applied when a sheet of an intermediate size is detected.

- **Keep margin at cut sheet end**

When printing on the sheet using AirPrint, selecting **Enable** sets the trailing edge of the paper to 20 mm. Select **Enable** if printing on the trailing edge of the paper is disturbed.

- **Auto feed at power on**

When **Enable** is selected, the printer judges the existence of paper exchange when starting up, and if paper has been exchanged, paper feeding operation is performed.

It may take time to judge paper exchange.

When **Disable** is selected, the printer does not judge whether or not to change the paper when starting up, and waits with the current paper feed setting.

- **Add priority roll paper width**

When paper size is detected, set the width of the roll paper to be recognized first. Judge in order from 1 in the list.

- **Print advanced paper settings**

Tapping **Yes** prints out each setting specified in **Advanced paper settings**.

- **Reset paper settings for all paper**

Tapping **Yes** initializes each setting specified in **Advanced paper settings**.

Entering the administrator password is required if it is enabled.

### **▶▶▶ Important**

- When you set the paper settings back to the factory default, added or updated paper information using Media Configuration Tool is erased.

## Auto maintenance settings



This setting item is displayed by tapping **Printer settings** after tapping **Setup** on the HOME screen.

### ▶▶ Important

- The administrator password is required to change settings if it is enabled for changing settings using the operation panel.

- **Auto nozzle check**

Enables/Disables automatic nozzle checking. You can also select the page interval to perform automatic nozzle checking.

- **Nozzle check error display**

Enables/Disables displaying the nozzle check error.

- **System Cleaning frequency**

Specifies the frequency of automatic system cleaning.

### ▶▶ Note

- To maintain print quality, we recommend you select **Short** if you use the printer at a higher place.

- **Print pattern after new head**

Selects whether you print an adjustment pattern after replacing the Print head.

## Hard disk settings



This setting item is displayed by tapping **Printer settings** after tapping **Setup** on the HOME screen.

### »» Important

- The administrator password is required to change settings if it is enabled for changing settings using the operation panel.

#### • **Output method**

Selects the printing method for jobs received from software other than the printer driver. When using the printer driver, configure settings on the printer driver.

- **Print**

Performs printing as usual.

- **Print (auto delete)**

Deletes the data from the printer's hard disk after printing is completed.

- **Save to job box**

Only saves the print job in job box without printing it.

#### • **Save first and print**

A setting for jobs received from software other than the printer driver. When using the printer driver, configure settings on the printer driver. Select **ON** to print the job after it has been saved.

#### • **Common job box settings**

Select **Print (auto delete)** to print without saving jobs in common job box.

#### • **File deletion settings**

Selects the data erasing method when deleting a **Print job** or **Saved job**, or when **Print (auto delete)** is selected in **Output method** or **Common job box settings**.

- **Fast**

Erases file management data for print job data stored on the printer's hard disk. Choose this method for relatively fast erasure. Because only the file management data is erased, the print job data itself is not erased.

- **Fast secure**

Erases the data encryption key specified for the hard disk drive. Specifying the encryption key again does not allow you to read and use data saved in the past safely and fast. Select to erase highly confidential data.

- **Secure**

Overwrites the entire hard disk with 00, FF, and random data (one time each) after the data encryption key specified for the hard disk drive is erased. Verification is performed to check if the data was correctly written. Choose this method to erase especially confidential data. It is virtually

impossible to recover the overwritten data. Conforms to the DoD5220.22-M standard of the U.S. Department of Defense.

- **Secure (VSITR)**

Overwrites the entire hard disk with 00 next overwrites with FF after the data encryption key specified for the hard disk drive is erased. After repeating this process three times, the entire hard disk is overwritten with AA. It is virtually impossible to recover the overwritten data. Conforms to the guidelines of German Federal Government (VS-ITR).

- **Data deletion**

Selects the method to delete data on printer's hard disk.

➡ [Erasing Data on Printer's Hard Disk](#)

## Monitoring service settings



This setting item is displayed by tapping **Printer settings** after tapping **(Setup)** on the HOME screen.

### »» Important

- The administrator password is required to change settings if it is enabled for changing settings using the operation panel.

- **Enable/disable monitoring service**

Selecting **Enable** allows the printer to send error details to the service center.

When selecting **Enable**, perform a communication test.

- **Communication test**

Performs a communication test with the service center.

- **Communication log**

Displays the list of error numbers (up to 30), error code, and time the error occurs. Tapping an item displays the error details.

Main errors and countermeasures

Error code	Error detail	Countermeasure
0xxx0003	Communication test is not performed.	Perform the communication test.
8xxx0003	E-RDS switch is setting OFF.	Enable monitoring service.
8xxx2003	Network is not ready, try later.	Check the network settings.
8xxx200A	Server connection error	Check the network settings.
8xxx2014	Proxy connection error	Check the proxy server address etc.
8xxx201E	Proxy authentication error	Check the user name and password to log in to the proxy server.
8xxx2046	Server certificate expired	The server certificate has expired. Set the correct date and time on the printer.
8xxx2047	Server response time out	Check the network settings. Check the proxy server address. Make sure that the correct date and time is set on the printer.
8xxx2058	Unknown error	Wait a while, and then try the communication test again.

- **Warning display**

Displays a message on the touch screen selecting **Enable** when communication with the service center fails.

## Other printer settings



This setting item is displayed by tapping **Printer settings** after tapping **Setup** on the HOME screen.

### »» Important

- The administrator password is required to change settings if it is enabled for changing settings using the operation panel.

#### • Energy saving settings

To save electricity, enable this setting to turn off the printer automatically or to enter sleep mode when specified length of time has elapsed.

##### ◦ Auto power off

Sets the time until the printer turns off automatically. If no operations are performed on the printer for the specified duration of the time after entering Sleep mode, the printer automatically turns off.

##### ◦ Sleep timer

Specifies the length of time to enter sleep mode automatically when no operation is made.

### »» Note

If the print job contains a pending job or a security print job, the printer does not enter sleep mode.

#### • Use USB connection

Use / Do not use USB connection.

#### • Date/time settings

Sets the current date and time.

#### • Date display format

Sets the format of dates displayed on the touch screen and printed on photos.

#### • Time zone (GMT)

Specifies the time zone according to a country or region you live in.

Specifying the time zone allows you to display the correct time and date an e-mail was sent on your mail software.

Select the time difference from GMT (Greenwich mean time) according to a country or region you live in.

#### • Sound control

Select whether to sound / not sound for key touch sound and alarm sound.

#### • Length unit settings

Selects the length unit (meter or feet/inch).

- **EOP timer settings**

Specify the timeout period before cancellation of print jobs that cannot be received by the printer.

- **Job history sending settings**

Select **Send** to send the information to the printer management and job management systems.

- **Printer info sending settings**

When selecting **Agree**, you agree to send the device information to the data collection server.



## Language selection

---

This setting item is displayed by tapping **Printer settings** after tapping  (**Setup**) on the HOME screen.

### »» Important

- The administrator password is required to change settings if it is enabled for changing settings using the operation panel.

Changes the language for the messages and menus on the touch screen.

## Firmware update



This setting item is displayed by tapping **Printer settings** after tapping **Setup** on the HOME screen.

### Important

- The administrator password is required to change settings if it is enabled for changing settings using the operation panel.

You can update the firmware of the printer, check the firmware version, or perform settings of a notification screen, a DNS server and a proxy server.

### Note

- If LAN is disabled, you can not use **Install update**, **DNS server setup**, **Proxy server setup**.

- **Install update**

Performs the firmware update of the printer.

➔ [Firmware update](#)

- **Check current version**

You can check the current firmware version.

- **Update notification settings**

When **Yes** is selected and the firmware update is available, the screen to inform you of the firmware update is displayed on the touch screen.

- **DNS server setup**

Performs settings for a DNS server. Select **Auto setup** or **Manual setup**. If you select **Manual setup**, follow the display on the touch screen to perform settings.

- **Proxy server setup**

Performs settings for a proxy server. Follow the display on the touch screen to perform settings.

## Security settings



This setting item is displayed by tapping **Printer settings** after tapping **Setup** on the HOME screen.

### »» Important

- The administrator password is required to change settings if it is enabled for changing settings using the operation panel.

#### • Administrator password settings

You can specify or disable the administrator password.

If you specify the administrator password, select the range and specify the administrator password.

#### Remote UI and other tools

Entering the administrator password is required to change the setting items using Remote UI or some software.

#### LCD, Remote UI, and other tools

Entering the administrator password is required to change the setting items using the operation panel of the printer, Remote UI, or some software.

For details:

➔ [Setting Administrator Password on Operation Panel](#)

#### • Operation restrictions

Restricts the following operations.

- **Job history**

Restricts to display or print the print job history.

- **Remote UI**

Restricts to use Remote UI.

- **Print from USB flash drive**

Restricts to print data on USB flash drive.

#### • IEEE802.1X settings

Performs various settings for IEEE802.1X.

## Printer information

---



It will be displayed when you tap  (**Setup**) on HOME screen.

- **System information**

Displays printer's system information.

- **Hard disk information**

Displays the total or free space of the printer hard disk.

- **Error history**

Displays the error history.

- **Hardware error**

Displays the hardware error codes (up to 5).

- **Recoverable error**

Displays the recoverable error (e.g. paper or ink related error) codes (up to 5).

- **Paper feed/transfer error**

Displays the error codes for errors which occur during paper feed/transfer (up to 5).

Tapping an error code displays the error details.

For more on the error code, refer to [List of Support Code for Error](#).

- **Usage**

Displays the printer's record of use such as total print area or the amount of ink consumption.

- **Head information**

Displays the Print head serial number, elapsed days since the current Print head was installed, and dot count.

- **Head alignment performance log**

Displays the Print head alignment performance log (up to 5).

- **Values applied with auto settings**

Displays the print settings applied the last print job.

## Setting Administrator Password on Operation Panel

You can specify or disable the administrator password.

Specifying the administrator password requires you to enter the password to use the items or change the settings below.

- LAN settings
- Auto maintenance settings
- Hard disk settings
- Monitoring service settings
- Other printer settings
- Language selection
- Firmware update
- Security settings
- Import/export settings
- Initialize printer settings
- Status print (administrator)

Follow the procedure below to specify the administrator password.

### ▶▶ Important

- The administrator password is set at the time of purchase. The printer's serial number is used as the password.



1. Tap  (**Setup**) on HOME screen.

➔ [Home Screen Menu Composition](#)

2. Tap **Printer settings**.

3. Tap **Security settings**.

If you specify the administrator password, enter the password.

4. Tap **Administrator password settings**.

If you specify the administrator password, enter the password.

5. Tap **Change administrator password**.

6. Select range where administrator password is valid.

#### Remote UI and other tools

Entering the administrator password is required to change the setting items using Remote UI or some software.

#### LCD, Remote UI, and other tools

Entering the administrator password is required to change the setting items using the operation panel of the printer, Remote UI, or some software.

7. Enter new administrator password.

**»» Important**

- The following character restrictions apply to the password:
  - Set the password by using 4 to 32 characters.
  - The allowed characters are single-byte alphanumeric characters, blank space, umlaut characters, and the below characters.  
- ! @ # \$ % ^ & \* \_ ; : , . / ` = + ' " ( ) { } [ ] < > |
  - For security reasons, we recommend you use 8 and more alphanumeric characters.

8. Tap **Apply**.


9. Enter administrator password you specified again.

10. Tap **Apply**.

The administrator password is enabled.

**When You Want to Disable the Administrator Password:**



After tapping  (**Setup**) on HOME screen, select **Printer settings > Security settings > Administrator password settings > Remove administrator password**. Select either item and follow the on-screen instructions to perform settings.

# Erasing Data on Printer's Hard Disk

## »» Important

- The administrator password is required to change settings if it is enabled for changing settings using the operation panel.
- For a more secure method of preventing data recovery, we recommend physically or magnetically destroying the hard disk. In this case, the hard disk can no longer be used.
- You cannot erase HDD data if there is a job queue. Additionally, print jobs are not processed while data erasing is in progress.



1. Tap **(Setup)** on HOME screen.

➔ [Home Screen Menu Composition](#)

2. Tap **Printer settings**.

3. Tap **Hard disk settings**.

If an administrator password is set, enter the password.

4. Tap **Data deletion**.

5. Tap erasing method.

### Fast

Erases file management data for print job data stored on the printer's hard disk. Choose this method for relatively fast erasure. Because only the file management data is erased, the print job data itself is not erased.

### Fast secure

Erases the data encryption key specified for the hard disk drive. Specifying the encryption key again does not allow you to read and use data saved in the past safely and fast. Select to erase highly confidential data.

### Secure

Overwrites the entire hard disk with 00, FF, and random data (one time each) after the data encryption key specified for the hard disk drive is erased. Verification is performed to check if the data was correctly written. Choose this method to erase especially confidential data. It is virtually impossible to recover the overwritten data. Conforms to the DoD5220.22-M standard of the U.S. Department of Defense.

### Secure (VSITR)

Overwrites the entire hard disk with 00 next overwrites with FF after the data encryption key specified for the hard disk drive is erased. After repeating this process three times, the entire hard disk is overwritten with AA. It is virtually impossible to recover the overwritten data. Conforms to the guidelines of German Federal Government (VS-ITR).

6. Confirm displayed message and tap **Yes**.

Data on the hard disk are erased.




# Status Print

You can print a "Status Print" report indicating the current status of the printer.

With "Status Print", information is printed regarding the printer firmware version, various settings, and the status of consumables.

Follow the procedure below to print.

1. On the HOME screen, tap  (**Setup**).

➔ [Home Screen Menu Composition](#)

2. Tap **Printer settings**.

3. Tap **Test print**.

4. Tap **Status print**.

### ▶▶▶ Note

- If you specify the administrator password, tap **Status print (administrator)**.

5. Tap **Yes**.

The printer starts printing.

The following information is included.

Canon xxxxxxxxxxxxxxxxxxxxxx Status Print	Printer model
S/N	Printer serial number
Firm	Firmware version
Boot	Boot ROM version
Date	Date and time when the status print was output

Paper Info		
	Roll Media	<b>Type</b> of roll paper
	Cut Sheet	<b>Type</b> of cut sheet

Job Menu		
	Job History	
	Log *	Details of up to 5 jobs (Job name is printed as "**".)

\*Printed only when **Status print (administrator)** is selected.

Settings	
	Printer settings

	Print settings	Setting values of <b>Print head movable width setting</b> and <b>Prioritize paper size</b>
	Paper-related settings	Setting values of <b>Paper-related settings</b>
Device settings		
	Auto maintenance settings	Setting values of <b>Auto maintenance settings</b>
	Hard disk settings	Setting values of <b>Hard disk settings</b>
	Device user settings	Setting values of <b>Other printer settings</b>
	Language selection	Setting value of <b>Language selection</b>
	Firmware update notification	Setting values of <b>Update notification settings</b>
	Monitoring service settings	Setting values of <b>Enable/disable monitoring service</b>

Usage Condition		
	Hard disk information	Values of <b>Hard disk capacity</b> and <b>Job box free space</b>
	Hardware error	History information of <b>Hardware error</b>
	Error	History information of <b>Recoverable error</b>
	Warning	Warning history information
	Jam	History information of <b>Paper feed/transfer error</b>
	Maintenance cartridge usage / Remaining ink level	Values of <b>Ink consumed</b>
	Duty counter	Values of <b>Duty counter</b>

PARTS STATUS		
	COUNTER	Part status

Head information		
	HEAD LOT NUMBER/ DATE OF INSTALLATION	Information of <b>Head information</b>
	Head alignment performance log	History information of <b>Head alignment performance log</b>

COUNTER		
	MEDIA	Usage status by media
	THE NUMBER OF CUTS	Total number of cuts
	AFTER INSTALLATION	Number of days from the use start date

## **Changing Printer's Setting Using Web Browser**

---

- **Start up Remote UI**
- **Changeable Setting Items Using Remote UI**
- **Setting Passwords using Remote UI**
- **Registering Printer's Root Certificate to Web Browser for SSL Communication**
- **Registering Printer's Root Certificate to Local Computer for SSL Communication**
- **Generating Server Certificate**
- **Setting Mail Server**
- **Receiving Printer Status by E-mail**

## Start up Remote UI

You can check the printer status and change the printer settings using the web browser on your smartphone, tablet, or computer.

To check the printer status and to change the printer settings, display "Remote UI" on the web browser.

### »» Note

- Remote UI is a software that enables you to perform operations, which are usually performed on the printer's operation panel, using a Web browser over a network.

LAN connection with the printer is required to use Remote UI.

- You can use Remote UI on the following OS and the web browser.

- iOS device

OS: iOS 12.0 or later

Web browser: iOS standard Web browser (Mobile Safari)

- iPadOS device

OS: iPadOS 13.0 or later

Web browser: iPadOS standard Web browser (Mobile Safari)

- Android device

OS: Android 5.1 or later

Web browser: Android standard Web browser (Browser or Chrome)

- macOS device

OS: macOS Sierra 10.12 or later

Web browser: Safari 10.0 or later

- Windows device

OS: Windows 7 SP1 or later

Web browser: Microsoft Edge, Internet Explorer 11, Mozilla Firefox, Google Chrome

- Enable JavaScript and cookies in the web browser.

### 1. Check printer's IP address.

1. Tap  (**Network**) on HOME screen.

➡ [Home Screen Menu Composition](#)

2. Tap the enabled LAN.

Diagonal lines are displayed for disabled LAN icons.

3. Check **IPv4 address**.

**2. Open web browser on your smartphone, tablet, or computer and enter IP address.**

Enter as following in the URL field of the web browser.

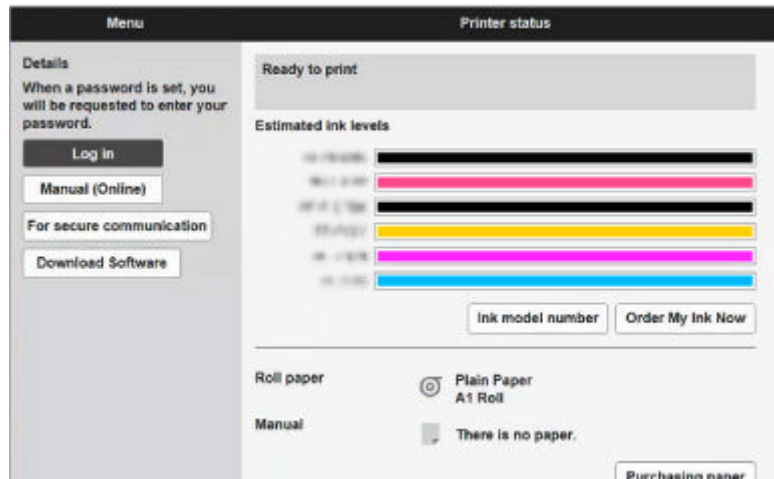
http://XXX.XX.X.XXX

Enter the IP address of the printer in "XXX.XX.X.XXX".

**»» Note**

- If you have set a DNS host name, you can also enter this.

When you access, "Remote UI" will be displayed on the web browser on your smartphone, tablet, or computer.



**»» Note**

- If you display Remote UI for the first time on your smartphone, tablet, or computer, download the root certificate, and then register it.
  - ➔ [Registering Printer's Root Certificate to Web Browser for SSL Communication](#)
- If the root certificate is not registered, a message to warn you that the secure connection is not guaranteed may appear.

**3. Select Log in.**

The password authentication screen appears.

**»» Note**

- When the standard user mode is enabled, choose either administrator mode or standard user mode to log on.  
After choosing a mode and selecting **Log in**, the password authentication screen of each mode appears.

**4. Enter password.**

When the password authentication is complete, the menus that can be utilized are displayed on the web browser.

## »» Important

- The password is set at the time of purchase. The password is the printer serial number. The printer serial number is printed on the sticker attached on the printer. It consists of 9 alphanumeric characters (four alphabets followed by five numbers).

For details on setting password, see [Setting Passwords Using Remote UI](#).

### 5. Confirm that the main screen of Remote UI is displayed.

For changeable setting items, see below.

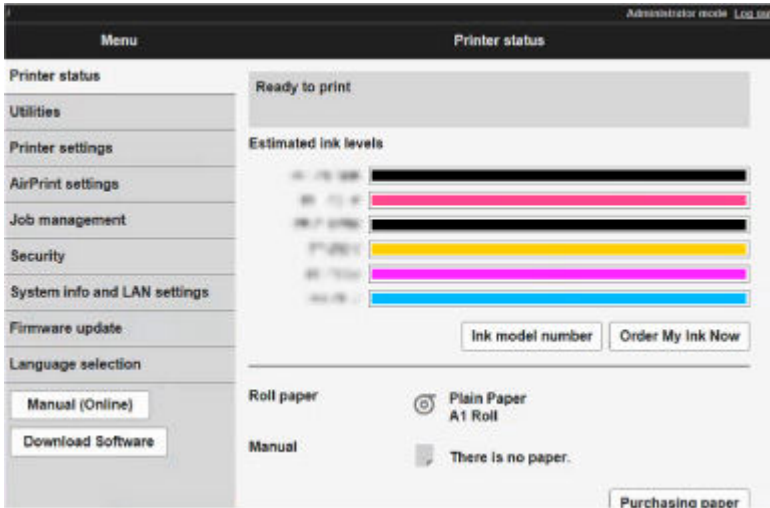
- ➔ [Changeable Setting Items Using Remote UI](#)

When you finish checking printer status and changing printer settings, select **Log out**.

# Changeable Setting Items Using Remote UI

## ►►► Note

- The item which can be used is different in administrator mode or in standard user mode.



### Printer status

This function displays printer information such as the remaining ink amount, the status, and detailed error information.

You can also connect to the ink purchase site or support page, and use Web Services.

### Utilities

This function allows you to set and perform maintenance such as cleaning.

### Printer settings

This function allows you to change the printer settings such as the energy saving settings and the print settings.

Additionally, this function allows you to receive the printer status information such as the remaining ink level and the error.

- ➔ [Setting Mail Server](#)
- ➔ [Receiving Printer Status by E-mail](#)

You can disable any operations using the operation panel from **Operation panel lock** on **Custom settings**.

## ►►► Note

- Some of the menu is available only when you logged on in administrator mode.

### AirPrint settings

This function allows you to specify the AirPrint settings when printing with AirPrint.

### Job management

This function allows you to display the job history and print it.

In addition, you can delete jobs from this item.

## ▶▶▶ Note

- When you are logging on in administrator mode, you can restrict this function in standard user mode.

### **Security (Item for administrator)**

This function allows you to specify the password, the standard user mode settings, the operation restrictions, and SSL/TLS settings of certificate for encrypted communication.

### **System info and LAN settings**

- **Confirm system information**
- [LAN settings](#)(Item for administrator)

### **Firmware update**

You can update the firmware of the printer, check the firmware version, or perform settings of a DNS server and a proxy server.

➡ [Firmware update](#)

### **Language selection (Item for administrator)**

This function allows you to change the language on the display.

### **Manual (Online)**

This function displays the *Online Manual*.



# Security

- **Administrator password setting**

- ➔ [Setting Passwords Using Remote UI](#)

- **Operation restrictions**

Restricts the following operations.

- **Job history**

- Restricts to display or print the print job history.

- **Print from USB flash drive**

- Restricts to print data on USB flash drive.

- **SSL/TLS settings**

Perform settings of a certificate for encrypted communication.

**Available TLS settings** enables you to specify the range of the version used for SSL/TLS communication.

- **IEEE802.1X settings**

- **Authentication**

- Enables/Disables IEEE802.1X certificate.

▶▶▶ **Note**

- In the case of using IEEE802.1X certificate, **Security > IEEE802.1X settings > CA certificate**, and register the CA certificate.
- Supported authentication method
  - EAP-TLS(Extensible Authentication Protocol-Transport Level Security)
  - EAP-TTLS(EAP-Tunneled TLS)
  - PEAP(Protected EAP)

- **Weak encryption restriction**

- Selecting **Do not restrict** enables communication using the 3DES or RC4 encryption algorithm.

- **Weak certificate restriction**

- Selecting **Do not restrict** enables certificate authentication using the public key algorithm of RSA (512 bit) or RSA (1024 bit).

- **Key and certificate settings**

- Perform settings for key and client certificate.

- **CA certificate**

- Perform settings for the CA certificate that verifies a server certificate.

## LAN settings

---

- **Wi-Fi**

Enables/Disables Wi-Fi.

- **Wireless Direct**

Enables/Disables Wireless Direct.

- **Wired LAN**

Enables/Disables Wired LAN.

- **Confirm LAN settings**

The LAN setting information is displayed.

- **Advanced setup**

- **Set printer name**

Specifies the printer name. You can use 2 to 15 characters for the name.

**▶▶▶ Note**

- You cannot use the same printer name as that already used for other LAN connected devices.
- You cannot use a hyphen for the initial or last character of the printer name.

- **TCP/IP settings**

Performs IPv4 or IPv6 setting.

- **WSD settings**

Perform settings to use WSD.

- **Bonjour settings**

Perform settings to use Bonjour.

- **LPD print**

Perform settings for printing with LPD.

- **SNMP settings**

Perform settings for using SNMP to manage and control the printer.

- **SNTP settings**

Perform settings for using SNTP to adjust the time on the printer.

- **FTP settings**

Perform settings for printing with FTP.

- **IPP Settings**

Perform settings for printing with IPP.

- **CHMP settings**

Perform settings for communication at the time when printer drivers or applications acquire the information on status, paper, and job log, from the printer.

Selecting **Enable HTTPS redirection** redirects the communication using CHMP to encrypted communication.

### ▶▶▶ Note

- To use CHMP for encrypted communication, you need to register the printer's root certificate to your computer.
  - ➔ [Registering Printer's Root Certificate to Local Computer for SSL Communication](#)
- CHMP is a Canon proprietary protocol.

#### ◦ Network interface settings

To connect to a hub that supports STP, select **Enable**.

Selecting **Enable** perform the intermittent data reception when connecting to the network.

#### ◦ DRX settings


Selecting **Enable** perform the intermittent data reception when connecting to the network.

#### ◦ IP filtering

Allows or denies access for specific IP addresses.

Settings for both IPv4 and IPv6 addresses can be specified.

### ▶▶▶ Important


- If the device address for administrator has been set to rejection by mistake, tap  (**Network**) on the HOME screen of the operation panel, and then tap **LAN settings > Wi-Fi / Wireless Direct / Wired LAN > Settings > Advanced setup > Reset LAN settings**, and initialize network information of the printer.

After resetting, perform setup again as necessary.

#### ◦ MAC address filtering settings

Allows or denies access for specific MAC addresses.

### ▶▶▶ Important

- If the device address for administrator has been set to rejection by mistake, tap  (**Network**) on the HOME screen of the operation panel, and then tap **LAN settings > Wi-Fi / Wireless Direct / Wired LAN > Settings > Advanced setup > Reset LAN settings**, and initialize network information of the printer.

After resetting, perform setup again as necessary.

#### ◦ Reset LAN settings

Initializes the network settings on the printer.

After resetting, perform setup again as necessary.

## Setting Passwords using Remote UI

Each of passwords for administrator and standard user can be set.

When logging on with password for administrator, all settings can be changed.

When logging on with password for standard user, some of the settings can be changed.

When logging on with password for administrator, you can restrict the function for standard user.

➔ [Setting Administrator Password](#)

➔ [Setting Standard User Password](#)

### ▶▶▶ Note

- Password can be set only when you are logged in administrator mode.

## Setting Administrator Password

Change the administrator password by following the steps below.

### ▶▶▶ Important

- The password is set at the time of purchase. The password is the printer serial number. The printer serial number is printed on the sticker attached on the printer. It consists of 9 alphanumeric characters (four alphabets followed by five numbers).

#### 1. Start up **Remote UI**.

➔ [Start up Remote UI](#)

#### 2. Select **Security**.

#### 3. Select **Administrator password setting**.

#### 4. Select **Change administrator password**.

If an administrator password is not specified, the confirmation message appears. Confirm the message and select **Yes**. When message appears again, confirm it and select **OK**.

#### 5. Select range where administrator password is valid and select **OK**.

##### **Remote UI and other tools**

Entering the administrator password is required to change the setting items using the Remote UI or some software.

##### **Operation panel/Remote UI/other tools**

Entering the administrator password is required to change the setting items using the operation panel of the printer, the Remote UI, or some software.

#### 6. Enter password and select **OK**.

### ▶▶▶ Important

- The following character restrictions apply to the password:

- Set the password by using 4 to 32 characters.
- The allowed characters are single-byte alphanumeric characters, blank space, umlaut characters, and the below characters.  
- ! @ # \$ % ^ & \* \_ ; : , . / ` = + ' " ( ) { } [ ] < > |
- For security reasons, we recommend you use 8 and more alphanumeric characters.

7. When completion message appears, select **OK**.

## Setting Standard User Password

For restricting the function for standard user, enable the standard user mode and set a standard user password by following the steps below.

1. Start up **Remote UI**.

➔ [Start up Remote UI](#)

2. Select **Security**.

The menus appear.

3. Select **Standard user mode settings**.

4. When confirmation message appears, select **Yes**.

5. Enter password and select **OK**.

### Important

- The following character restrictions apply to the password:
  - Set the password by using 4 to 32 characters.
  - The allowed characters are single-byte alphanumeric characters, blank space, umlaut characters, and the below characters.  
- ! @ # \$ % ^ & \* \_ ; : , . / ` = + ' " ( ) { } [ ] < > |
  - For security reasons, we recommend you use 8 and more alphanumeric characters.

6. When completion message appears, select **OK**.

## Registering Printer's Root Certificate to Web Browser for SSL Communication

If the printer's root certificate has not been registered to the web browser, a message to warn you that the secure connection is not guaranteed may appear.

When you display Remote UI for the first time on your smartphone, tablet, or computer, download the root certificate, and then register it to the web browser. The secure connection will be confirmed and a message will not appear. However, the message may appear depending on a web browser even after you have registered the root certificate.

How to register the root certificate varies depending on the web browser.

- ➔ [For Microsoft Edge](#)
- ➔ [For Safari](#)
- ➔ [For Chrome on Android](#)
- ➔ [For Mobile Safari on iOS](#)

Operating procedure may differ depending on the version of your web browser. For other web browser, refer to each help.

### ▶▶▶ Important

- Make sure that you have accessed to the printer IP address correctly by checking the URL field of the web browser before registering the root certificate.
- If the printer is connected via IPv6 using Windows, you need to generate a server certificate using Remote UI.

For details, see [Generating Server Certificate](#).

### For Microsoft Edge

1. Select **For secure communication** on Remote UI.

2. Select **Download**.

Downloading the root certificate is started.

3. If confirmation screen appears, select **Open**.


**Certificate** screen is displayed.

#### ▶▶▶ Note

- To save the certificate file and register it, select **Save**. To register, select **Control Panel > Network and Internet > Internet Options**, and register the root certificate from **Certificates on Content** sheet.

4. Select **Install Certificate**.

**Certificate Import Wizard** screen is displayed.

5. Select **Next**.
6. Select **Place all certificates in the following store**.
7. Select **Browse**.  
**Select Certificate Store** screen is displayed.
8. Select **Trusted Root Certification Authorities** and **OK**.
9. Select **Next** on **Certificate Import Wizard** screen.
10. If **Completing the Certificate Import Wizard** appears, select **Finish**.  
**Security Warning** screen is displayed.
11. Make sure that thumbprint on **Security Warning** screen matches printer's thumbprint.  
 To display the printer's root certificate thumbprint in **Root cert. thumbprint (SHA-1)** or **Root cert. thumbprint (SHA-256)**, tap  (**Setup**) on HOME screen of the operation panel, and then tap **Printer information > System information**.
12. If thumbprint on **Security Warning** screen matches printer's thumbprint, select **Yes**.
13. Select **OK** on **Certificate Import Wizard** screen.  
 The root certificate registration is completed.

## For Safari


1. Select **For secure communication** on Remote UI.
2. Select **Download**.  
 Downloading the root certificate is started.
3. Open the downloaded file.  
 Keychain access starts up and **Add Certificates** screen is displayed.
4. Select **Add**.  
 Information on the certificate is displayed.

### ▶▶▶ Note

- You can also add the certificate by selecting **Show Certificate**, checking certificate name to add, and then selecting the same certificate on Keychain access.

5. Make sure that fingerprint of certificate detail information matches printer's thumbprint.

To display the printer's root certificate thumbprint in **Root cert. thumbprint (SHA-1)** or **Root cert.**

**thumbprint (SHA-256)**, tap  (**Setup**) on HOME screen of the operation panel, and then tap **Printer information > System information**.

6. If fingerprint of certificate detail information matches printer's thumbprint, display information on certificate from the menu or by double-clicking the certificate, and select **Always Trust** on **Trust**.

The root certificate registration is completed.

#### ▶▶▶ Note

- If a password is set on your device, entering a password may be required.

## For Chrome on Android

1. Select **For secure communication** on Remote UI.

2. Select **Download**.

Downloading the root certificate is started and then **Name the certificate** screen is displayed.

3. As entering the root certificate name is required, enter an arbitrary certificate name and select **OK**.

The root certificate registration is completed.

#### ▶▶▶ Note

- If PIN or password is not set as security type, the attention screen may appear. Select **OK**, and then set the security type to PIN or password.

## After Root Certificate Registration

We recommend that you make sure that the correct root certificate has been registered.

To make sure that the correct root certificate has been registered, make sure that thumbprint of certificate information matches printer's thumbprint. Follow the steps below.

#### ▶▶▶ Note

- Some Android devices cannot be checked the thumbprint of a registered route certificate.

1. From **Settings** menu on your device, select **Security, Trust credentials**, and **USER**.

The list of downloaded certificates appears.


2. Select downloaded certificate.

The certificate information appears.



3. Make sure that thumbprint of certificate information matches printer's thumbprint.

To display the printer's root certificate thumbprint in **Root cert. thumbprint (SHA-1)** or **Root cert.**

**thumbprint (SHA-256)**, tap  (**Setup**) on HOME screen of the operation panel, and then tap **Printer information > System information**.

4. If thumbprint of certificate information screen matches printer's thumbprint, select **OK**.

The root certificate registration is completed.

If the message to warn you that the secure connection is not guaranteed appears when you select **Log in** on Remote UI after registering the root certificate, restart the web browser. The message will not appear on the web browser.

#### ▶▶▶ Note

- Depending on the Android device, a warning may appear even after registering the proper root certificate.

## For Mobile Safari on iOS

1. Select **For secure communication** on Remote UI.

2. Select **Download**.

Downloading the root certificate is started and then **Install Profile** screen is displayed.

3. Select **Install**.

**Warning** screen is displayed.

#### ▶▶▶ Note

- If a password is set on your device, entering a password may be required.

4. Select **Install**.

5. Select **Install** on displayed dialog.

The root certificate registration is completed.

# Registering Printer's Root Certificate to Local Computer for SSL Communication

To use Device Management Console or Accounting Manager, etc. when you connect the printer to a computer using SSL encrypted communication, you need to register (import) the printer's root certificate to your computer.

Procedure to register the certificate varies depending on your operation environment.

## ▶▶▶ Important

- If the printer is connected via IPv6 using Windows, you need to generate a server certificate using Remote UI.

For details, see [Generating Server Certificate](#).

➡ [For Windows 10/Windows 8.1](#)

➡ [For Windows 7](#)

➡ [For macOS](#)

Operation procedure may differ depending on your OS version.

## For Windows 10/Windows 8.1

The procedure below describes how to import a root certificate in Windows 10/Windows 8.1.

### 1. Start up Remote UI.

➡ [Start up Remote UI](#)

### 2. Select **For secure communication**.

#### ▶▶▶ Note

- You can download a certificate from Status Monitor.

#### 1. Open status monitor.

Open the **Printing preferences**, and select **Status Monitor...** on **Main**.

#### 2. Download a certificate.

Select **Download Security Certificate** from the **Remote UI** menu.

### 3. Select **Download**.

The root certificate will be downloaded.

### 4. When download confirmation screen is displayed, select **Open**.

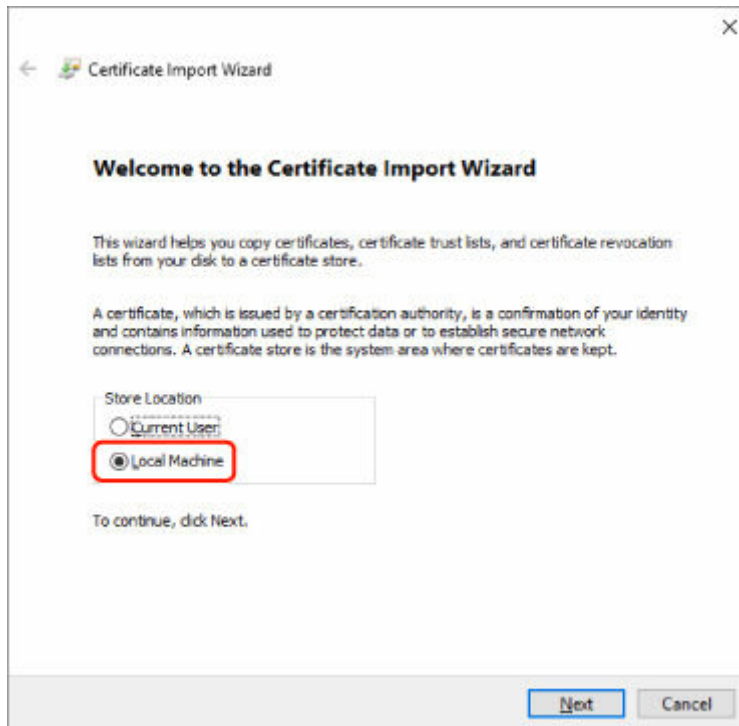
The **Certificate** screen appears.

### 5. Select **Install Certificate**.

The **Certificate Import Wizard** screen appears.

## 6. Select **Local Machine**.

1. Select **Local Machine** on the startup screen of **Certificate Import Wizard**.



2. Select **Next**.
3. Select **Yes** on the displayed screen.

The **Certificate Store** screen appears.

## 7. Select **Place all certificates in the following store**.

## 8. Select **Trusted Root Certificate Authorities**.

1. Select **Browse** to open the **Select Certificate Store** screen.
2. Select **Trusted Root Certificate Authorities** from the list and select **OK**.
3. Select **Next** on the **Certificate Store** screen.

## 9. Select **Finish**.

When the **Completing the Certificate Import Wizard** screen appears, check the settings and select **Finish**.

## **For Windows 7**

The procedure below describes how to import a root certificate in Windows 7.

## »» Important

- Be sure to create a certificate snap-in before importing a root certificate.

The root certificate will be registered to the local user if you import it without creating a certificate snap-in.

### Creating Certificate Snap-in

1. Start up Microsoft Management Console.

Enter **MMC** on **Search programs and files** in the **Start** menu and press the Enter key.

2. Select **Yes** on displayed screen.

3. Select **Add/Remove Snap-in** from **File** menu.

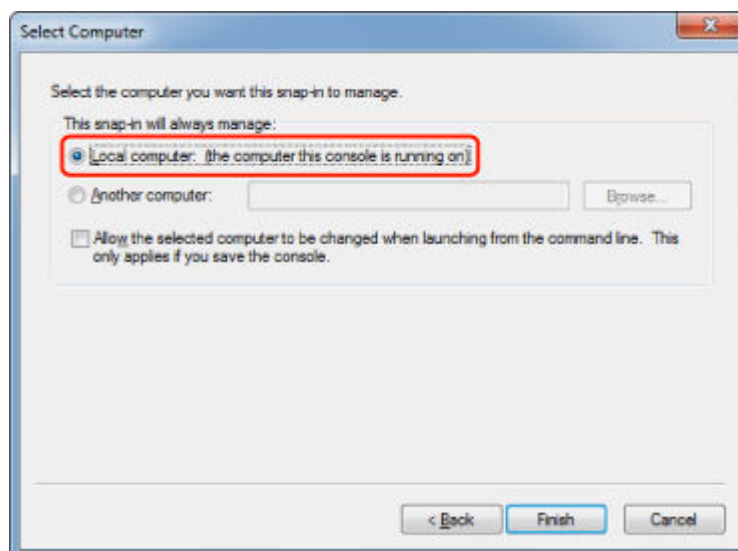
The **Add or Remove Snap-ins** screen appears.

4. Add **Certificate** snap-in.

1. Select **Certificates** from **Available snap-ins** list and select **Add**.

2. Select **Computer account** for **This snap-in will always manage certificates for** on the **Certificates snap-in** screen and select **Next**.

3. Select **Local computer** on the **Select computer** screen and select **Finish**.



4. Select **OK** on the **Add or Remove Snap-ins** screen.

### Downloading Certificate

1. Start up Remote UI.

➔ [Start up Remote UI](#)

## 2. Select **For secure communication**.

### »» Note

- You can download a certificate from Status Monitor.
  1. Open status monitor.

Open the **Printing preferences**, and select **Status Monitor...** on **Main**.
  2. Download a certificate.

Select **Download Security Certificate** from the **Remote UI** menu.

## 3. Select **Download**.

## 4. Select **Save**.

## Importing Certificate

### 1. Open **Certificate Import Wizard**.

1. On the left window, open **Trusted Root Certificate** from **Certificate** on **Console Root**.
2. Right-click **Certificates** and select **Import** from **All tasks**.

### 2. Specify certificate file to import.

1. Select **Next**.
2. Specify the certificate file to import on **File name** and select **Next**.

### 3. Specify certificate store.

1. Select **Place all certificates in the following store**.
2. Select **Trusted Root Certificate Authorities** for **Certificates Store**.

### 4. Finish certificate import wizard.

1. Select **Next** and check the specified settings.
2. Select **Finish** to finish the wizard.
3. Select **OK** on the displayed screen.

## Checking Imported Certificate

Make sure the imported certificate has been registered to your computer.

## 1. Display certificate list.

On the left window of Microsoft Management Console, select **Console Root > Certificates (Local Computer) > Trusted Root Certificate Authorities** in this order, and Select **Certificates** to display the certificate list.

## 2. Check registered certificate.

Make sure the imported certificate name is displayed on the list.

### »» Note

- Make sure you can see the registered certificate from **Current user** by creating the **Current user** snap-in.

### »» Note

- When you finish Microsoft Management Console, a message asking you whether to save the console setting. If you continue to apply the same settings next, select **Yes** to save.

## For macOS

The procedure below describes how to import a root certificate in macOS.

## 1. Start up Remote UI.

➔ [Start up Remote UI](#)

## 2. Select **For secure communication**.

## 3. Select **Download**.


The root certificate will be downloaded.

## 4. Open downloaded certificate file.

When the download procedure is completed, a downloaded item pops up on the right of the screen.

Double-click the downloaded certificate on the list starts up **Keychain Access** and the **Add Certificates** screen appears.

### »» Note

- If the downloaded item does not pop up, select the **Show Downloads**  button on the right.
- Selecting the magnifying glass icon on the right of download list displays the folder containing the certificate.

## 5. Select **Add**.

Select the destination for the certificate on **Keychain**.

Selecting **Add** displays information on the certificate.


## »» Note

- You can add the certificate by selecting the same certificate on **Keychain Access**. Check the name of certification to add after selecting **View Certificates**.

### 6. Check certificate.

Make sure the fingerprint of certificate shown on **Details** corresponds with the root certificate thumbprint of the printer.

To display the printer's root certificate thumbprint in **Root cert. thumbprint (SHA-1)** or **Root cert.**

**thumbprint (SHA-256)**, tap  (**Setup**) on HOME screen of the operation panel, and then tap **Printer information > System information**.

### 7. Select **Always Trust**.

If the fingerprint of certificate detail information matches printer's thumbprint, display information on certificate from the menu or by double-clicking the certificate, and select **Always Trust** on **Trust**.

The root certificate has been registered.

## »» Note

- Entering the password may be required if you specify it for your printer.

## Generating Server Certificate

When you use SSL connection via IPv6 network, you need to generate an IPv6 server certificate using the printer.

Generate the server certificate from Remote UI.

Follow the procedure below.

1. [Checking Printer's IP Address](#)
2. [Generating Server Certificate](#)
3. [Checking Generated Server Certificate](#)

### »» Important



- To reset the IPv6 server certificate, tap **(Network)** on the HOME screen of the operation panel, and then tap in the following order.

**LAN settings > Wi-Fi / Wireless Direct / Wired LAN > Settings > Advanced > Reset SSL certificates > Yes**

## Checking Printer's IP Address



1. Tap **(Network)** on HOME screen.

➔ [Home Screen Menu Composition](#)

2. Tap the enabled LAN.

Diagonal lines are displayed for disabled LAN icons.

3. Check the value on **IPv6 link-local address**.

Write down the value on **IPv6 link-local address** for your reference when you open Remote UI and generate a server certificate.

## Generating Server Certificate

1. Open web browser on your smartphone, tablet, or computer and enter the printer IP address.

Enter as following in the URL field of the web browser.

http://[XXXX::XXXX:XXXX:XXXX:XXXX]

On "XXXX::XXXX:XXXX:XXXX:XXXX", enter the **IPv6 link-local address** in abbreviated form.

The top screen of Remote UI appears.

2. Select **Log in** on Remote UI.



### »» Note

- If you specify the administrator password, enter the password.

3. Select **Security**.

4. Select **SSL/TLS settings**.

5. Select **Generate key and certificate**.

6. Select **Generate self-signed cert**.

7. Specify each setting item.

- **Signature algorithm**

Select **SHA256**.

- **Public key length (bits)**

Select **2048 bits**.

- Specify the expiration date.

Enter the date you generated the server certificate on **Valid from**.

Enter the date the server certificate expires on **Valid to**.

- Enter the common name.

On **Common name**, enter the **IPv6 link-local address** you checked in abbreviated form.

### »» Note

- When you enter the common name, add [ ] to each end of the abbreviation value of the printer's IPv6 address.
- Do not use a comma or make a space for the common name.

8. Select **Next**.

You need not enter anything on **Country, State or province, Locality, Organization, or Organizational unit**.

9. Select **Generate**.

The server certificate starts to be generated.

When the server certificate has been generated, **Generated a self-signed certificate** appears.

10. Select **Restart LAN**.

LAN will be restarted.

When LAN has been restarted, **Printer status** on Remote UI appears.

### »» Note

- If you cannot access to Remote UI after you restart LAN, reload your web browser.

## Checking Generated Server Certificate

1. Select **Security** on Remote UI.

2. Select **SSL/TLS settings**.

3. Select **Check key and certificate**.

Make sure the issuer of the root certificate is displayed on **Issued by**, and the value you entered is displayed on **Common name** on **Subject**.

## Setting Mail Server

To use mail function, specify the mail server settings.

\*This function may not be available depending on the country or region of purchase.

### ▶▶▶ Note

- If you did not specify the time zone setting using the printer's operation panel, a message to inform you that the correct time may not be reflected on the sent e-mail appears. We recommended that you set the time zone setting using the printer's operation panel.

For the time zone setting, see [Other printer settings](#).

- These functions can be set only when you are logged in administrator mode.

#### 1. Start up Remote UI.

➔ [Start up Remote UI](#)

#### 2. Select **Printer settings**.

#### 3. Select **Set mail server**.

The setting items for mail server appear.

#### 4. Specify mail server settings.

Specify the following items.

##### **Sender address**

Enter the e-mail address of the sender (this printer).

##### **Outgoing mail server (SMTP)**

Enter the address of your SMTP server.

##### **Port number (SMTP)**

Enter the port number of your SMTP server.

##### **Secure connection (SSL)**

Select if you use the secure connection (SSL).

##### **Don't verify certificates**

Select if you do not verify the certificate.

##### **Authentication**

Select one of the following authentication methods.

##### **SMTP authentication**

Select if you send e-mail with SMTP authentication.

Then select **OK**, and then make the following settings.

##### **Outgoing account**

Enter the account name for sending to perform the authentication.

**Outgoing password**

To set / change the password for sending in order to perform the authentication, check the **Set/change password** and then enter the password.

**POP before SMTP**

Select if you send e-mail with POP before SMTP authentication.

Then select **OK**, and then make the following settings.

**Incoming mail server (POP3)**

Enter the address of your POP3 server.

**Port number (POP3)**

Enter the port number of your POP3 server.

**Incoming account**

Enter the account name for receiving to perform the authentication.

**Incoming password**

To set / change the password for receiving in order to perform the authentication, check the **Set/change password** and then enter the password.

**Use APOP authentication**

Select if you send the password by the encryption transmission.

**Clear mailbox**

Select if you delete the e-mails that remain in the POP3 server.

**»» Important**

- When this setting is enabled, e-mail in the Inbox on the server will have all been removed. If you specify the e-mail address of your everyday, be sure to disable this setting as unread e-mail is not deleted. We recommended that you prepare this printer dedicated e-mail account not to accidentally delete the unread e-mail.

**5. Select OK.**

The setting operation is completed.

## Receiving Printer Status by E-mail

You receive the printer status information such as the remaining ink level and the error from the printer.

\*This function may not be available depending on the country or region of purchase.

### ▶▶▶ Note

- Specify the mail server settings in advance.
  - ➔ [Setting Mail Server](#)
- If you did not specify the date and time setting using the printer's operation panel, the date and time may not be reflected on the sent e-mail. We recommended that you set the date and time setting using the printer's operation panel.  
For the date and time setting, see [Other printer settings](#).
- These functions can be set only when you are logged in administrator mode.

#### 1. Start up Remote UI.

- ➔ [Start up Remote UI](#)

#### 2. Select **Printer settings**.

#### 3. Select **Status notification email**.

#### 4. Select **Notification recipients**.

#### 5. Specify destination settings.

Up to 5 destinations can be registered by following the steps below.

1. Select number of destination.
2. Select **Add**.
3. Enter e-mail address, and then select printer status to send information.
4. Select **OK**.

The registration for destination is completed.

#### 6. Select **Printer settings > Status notification email > Retry settings**.

#### 7. Specify resending settings.

The number of resending can be specified by following the steps below.

1. Specify number of resending.
2. Specify interval of resending.

**3. Select OK.**

The resending setting is completed.

## Migrating Printer's Setting

Migrates the printer settings to another one of the same model.

This operation is available using Remote UI or USB flash drive.

➔ [Using Remote UI](#)

➔ [Using USB Flash Drive](#)

### ▶▶▶ Note

- The printers must be running the same firmware version. The target data to be migrated is fixed.

## Using Remote UI

### 1. Exporting settings

1. Start up Remote UI.  
➔ [Start up Remote UI](#)
2. Select **Printer settings**.
3. Select **Import/Export printer settings**.
4. Select **Export printer settings**.
5. Enter password and select **OK**.

### 2. Importing settings

1. Start up Remote UI  
➔ [Start up Remote UI](#)
2. Select **Printer settings**.
3. Select **Import/Export printer settings**.
4. Select **Import printer settings**.
5. Select a file to import.
6. Enter password and select **OK**.

## Using USB Flash Drive

### 1. Exporting settings

1. Insert a USB flash drive to USB flash drive port.

2. Tap  (**Setup**) on HOME screen.

➔ [Home Screen Menu Composition](#)

3. Tap **Printer settings**.

4. Tap **Import/export settings**.

If you specify the administrator password, enter the password.

5. Tap **Export**.

6. Enter password and Tap **OK**.

7. Enter password again.

## 2. Importing settings

1. Insert a USB flash drive to USB flash drive port.

2. Tap  (**Setup**) on HOME screen.

➔ [Home Screen Menu Composition](#)

3. Tap **Printer settings**.

4. Tap **Import/export settings**.

If you specify the administrator password, enter the password.

5. Tap **Import**.

6. Enter password and Tap **OK**.



## Initializing Printer's Setting

Initializes the following settings.

- Paper setting information
- Detection priority data of paper
- SSL certificate
- LAN setting
- Administrator password
- Hard drive data
- Job history
- Operation panel lock

This operation is available using the operation panel or Remote UI.

➡ [Using operation panel](#)

➡ [Using Remote UI](#)

### Using operation panel

1. Tap  (**Setup**) on HOME screen.

➡ [Home Screen Menu Composition](#)

2. Tap **Printer settings**.

3. Tap **Initialize printer settings**.

If you specify the administrator password, enter the password.

4. Confirm displayed message and tap **Yes**.

### Using Remote UI

1. Start up Remote UI.

➡ [Start up Remote UI](#).

2. Select **Printer settings**.

3. Select **Initialize printer settings**.

4. Confirm displayed message and select **Yes**.

The Remote UI is disconnected.

## Network Setting

---

### ➤ Network Connection Tips

- Printer Connection Methods
  - Connecting Smartphone/Tablet to Printer via Wireless Router
  - Connecting Smartphone/Tablet to Printer Directly (Wireless Direct)
- Default Network Settings
- Another Printer Found with Same Name
- Connecting to Another Computer via LAN/Changing from USB to LAN Connection
- Printing Network Settings
- Reconfiguration Method of LAN Connection/Reconfiguration Method of Wi-Fi Connection
- Countermeasures against Unauthorized Access
- Network Status and Troubleshooting

### ➤ Checking Printer Connection Status Using IJ Network Device Setup Utility

### ➤ Sharing the Printer on a Network (Windows)

- Setting Up a Shared Printer
- Restrictions on Printer Sharing

### ➤ Sharing the Printer on a Network (macOS)

- Settings on Print Server
- Settings on Client PC
- Restrictions on Printer Sharing

## **Network Connection Tips**

---

- **Printer Connection Methods**
  - Connecting Smartphone/Tablet to Printer via Wireless Router
  - Connecting Smartphone/Tablet to Printer Directly (Wireless Direct)
- **Default Network Settings**
- **Another Printer Found with Same Name**
- **Connecting to Another Computer via LAN/Changing from USB to LAN Connection**
- **Printing Network Settings**
- **Reconfiguration Method of LAN Connection/Reconfiguration Method of Wi-Fi Connection**
- **Countermeasures against Unauthorized Access**
- **Network Status and Troubleshooting**

## Printer Connection Methods

4 connection methods are available on the printer.

### Wi-Fi Connection

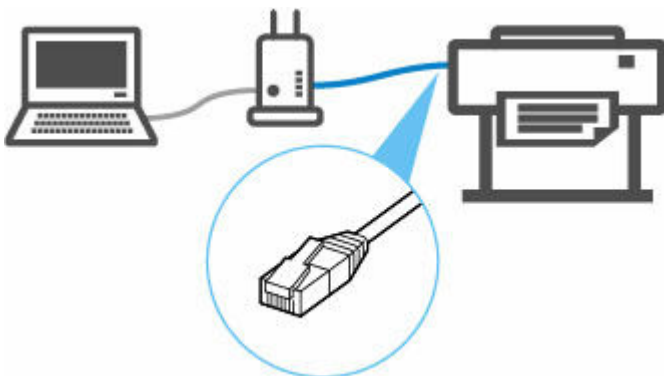
- Using Wi-Fi Router



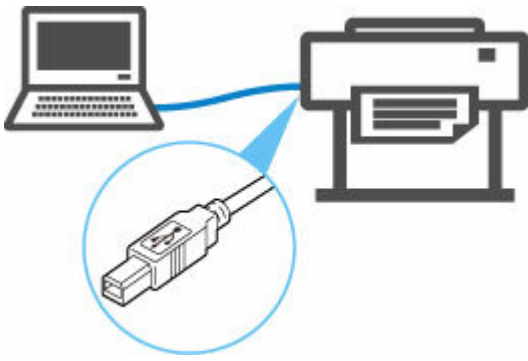
- Without Using Wi-Fi Router (Wireless Direct)



### LAN Connection



### USB Connection



Different types of network connections cannot be used at the same time.

When connecting another device while the devices are already connected to the printer, connect it using the same connection method as the connected device or connect via USB connection.

If you connect using a different connection method, the connection to the devices in use will be disabled.

➔ Restrictions

## Wi-Fi Connection


There are two methods for connecting the printer to your device (e.g. smartphone or tablet). One method is to connect using a wireless router, and the other method is to connect without using a wireless router.

The two connection methods cannot be used at the same time.

If you have a wireless router, we recommend you use the method using a wireless Router.

### • Connection Using a Wireless Router



- Connect the printer and the devices using a wireless router.
- Connection methods vary depending on the wireless router type.
- You can change network settings such as the SSID and security protocol on the printer.
- When the connection between a device and a wireless router is completed and  (Wi-Fi icon) is displayed in the device's screen, you can connect the device to the printer using the wireless router.

➔ [Connecting Smartphone/Tablet to Printer via Wireless Router](#)

### ➤➤ Note

- If you connect using a wireless router, the printer and the device must be connected to the same network.

➔ Advantages of Connecting Printer over Wi-Fi

### • Connection without Using a Wireless Router (Wireless Direct)

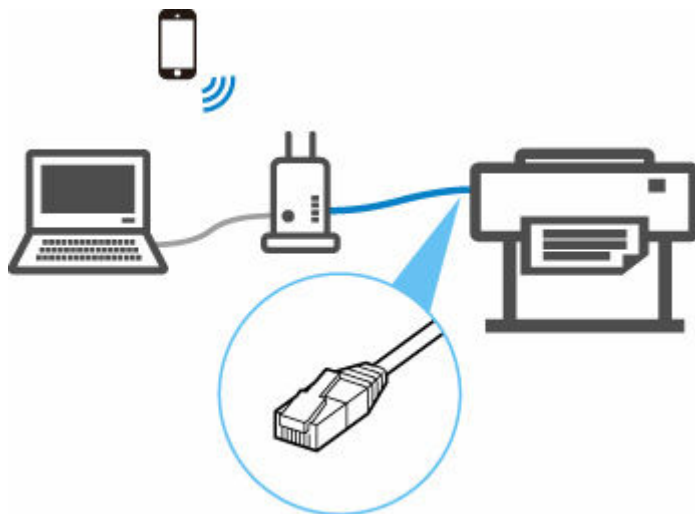


- Connect the printer and a device without using a wireless router. Connect the device and the printer directly using the printer's wireless direct.
- In the wireless direct, you can connect up to five devices at the same time. If you try to connect another device while five devices are already connected, disconnect a device you do not use and configure settings again.
- Network settings such as the SSID and security protocol are specified automatically.

➔ [Connecting Smartphone/Tablet to Printer Directly \(Wireless Direct\)](#)

## LAN Connection

Connect the printer and a computer or a router with an Ethernet cable. If your router supports wireless connection, you can connect the device via wireless connection.



### ➤➤➤ Note

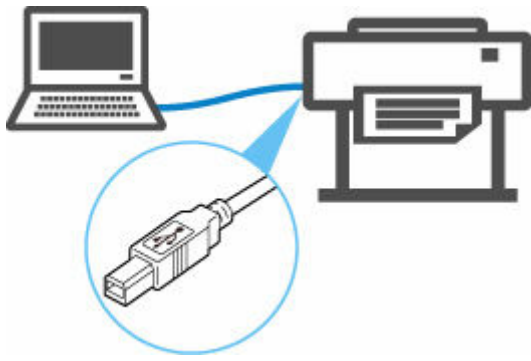
- Devices connected to the router must be connected to the same network.

➔ What Is Ethernet Cable?

➔ Advantages of Connecting Printer via Wired LAN

## USB Connection

Connect the printer to a computer using a USB cable.



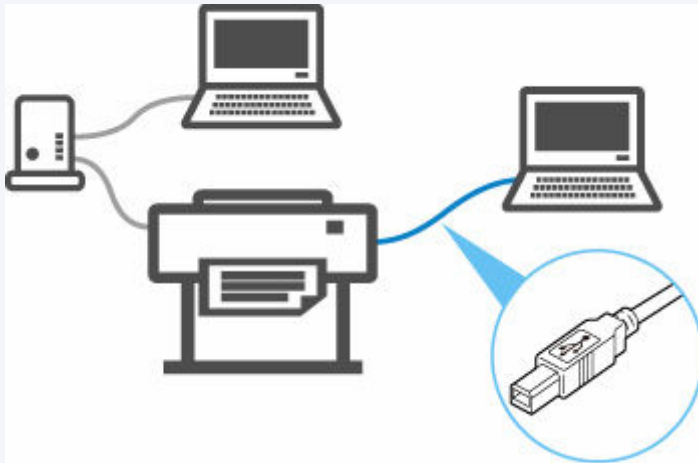
### ➔ What Is USB Cable?

In USB connection, the printer is connected one-on-one to the computer.

If your computer is connected to LAN, you can use the printer with other devices by enabling the sharing setting on your computer.

### ➤➤ Note

- You can connect the printer to a computer via USB even when the printer is already connected to another one via wired LAN.



### ➤➤ Important

- If you connect a device connected to the Internet via a wireless router to the printer that is in the wireless direct, the connection between the device and wireless router will be disabled. In that case, the connection of the device may switch to a mobile data connection automatically depending on your device. Transmission fees for connecting to the Internet using a mobile data connection apply.

## Connecting Smartphone/Tablet to Printer via Wireless Router

You can connect devices (e.g. smartphone, or tablet) to the printer by two methods below.

- Wi-Fi connection (connecting devices via a wireless router)
- Wireless Direct connection (connecting devices without using a wireless router)

This section describes Wi-Fi connection via a wireless router.

Follow the procedure below to connect via a wireless router.

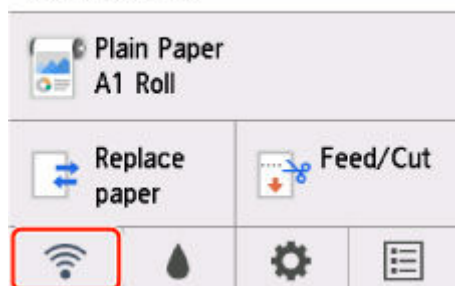
1. [Confirm the Printer's Wi-Fi Connection is Enabled](#)
2. [Connect Smartphones and Tablets to the Printer](#)

### ▶▶▶ Important

- Check the usage restrictions and change the printer LAN setting.
  - ➔ Restrictions
- The administrator password is required to change settings if it is enabled for changing settings using the operation panel.

## Enable Printer's Wi-Fi connection

Ready to print



If a different network icon is displayed on the HOME screen, follow the procedure below to enable Wi-Fi connection.

1. On the HOME screen, tap the **Network** icon.
  - ➔ [Home Screen Menu Composition](#)
2. Tap **Wi-Fi**.
3. Tap **Settings**.
4. Tap **Enable/disable Wi-Fi**.
5. Tap **Enable**.

The printer's Wi-Fi is enabled and you can connect the Wi-Fi you connected previously.



## Connect Smartphones and Tablets to the Printer

➔ [For Android device](#)

➔ [For iOS device](#)

### For Android device

1. Open "Settings" menu on your device.
2. Enable "Wi-Fi".
3. Select wireless router SSID you use from detected device list.



4. Enter wireless LAN router password.  
Your device is connected to the printer.
5. Start printing from application.

### For iOS device

1. Open "Settings" menu on your device.
2. Enable "Wi-Fi".
3. Select wireless router SSID you use from detected device list.



4. Enter wireless LAN router password.

Your device is connected to the printer.

5. Start printing from application.

## Connecting Smartphone/Tablet to Printer Directly (Wireless Direct)

You can connect devices (e.g. smartphone, or tablet) to the printer by two methods below.

- Wi-Fi connection (connecting devices using a wireless router)
- Wireless Direct connection (connecting devices without using a wireless router)

This section describes wireless direct, which allows you to print by connecting the devices to the printer directly.

### ▶▶▶ Important

- Check the usage restrictions and switch the printer to the wireless direct.
  - ➔ Restrictions
- The administrator password is required to change settings if it is enabled for changing settings using the operation panel.
- If a device has already been connected to the printer directly and you want to add a device to connect, connect it to the printer directly. You can connect up to 5 devices to the printer at the same time.

## Connect with Wireless Direct

1. [Make sure printer is turned on.](#)
2. On the HOME screen, tap the **Network** icon.



Depending on the current LAN status, the icon displayed on the button may differ.

➔ [Home Screen Menu Composition](#)

3. Tap **Wireless Direct**.
4. Tap **Settings**.
5. Tap **Enable/disable Wireless Direct** and tap **Yes**.
6. Confirm displayed message and tap **OK**.

After Wireless Direct is enabled, the identifier (SSID) etc. when using the printer with wireless direct connection are displayed.

By flicking the touch screen, you can check various settings of wireless direct.

### ▶▶▶ Note

- The identifier (SSID) and password are specified automatically.
- By tapping **Show password**, you can check the password. The password is required when connecting a device to the printer. (Depending on the device you are using, no password is required.)
- By tapping **Settings**, you can change the following settings.
  - **Enable/disable Wireless Direct**
  - **Update SSID/password**
  - **Wireless Direct network (SSID)**
  - **Connection request confirmation**

For updating the SSID / password or changing the name of the printer displayed on Wi-Fi Direct compatible device, see [Change Wireless Direct Connection Setting](#).

## Connecting Smartphone/Tablet to Printer

1. Turn on Wi-Fi communication on Wi-Fi Direct compatible device.

For more on turning on Wi-Fi communication, see your device's instruction manual.

2. Select "DIRECT-XXXX-GP-NNNN" ("X" represents alphanumeric characters, NNNN means your printer model name.) from list displayed on device.

### ▶▶▶ Note


- If "DIRECT-XXXX-GP-NNNN" does not appear on the list, wireless direct is not enabled. See [Connect with Wireless Direct](#) to enable wireless direct.
- You can change the name of the printer displayed on Wi-Fi Direct compatible devices. See [Change Wireless Direct Connection Setting](#) as necessary.

3. Enter password on Wi-Fi Direct compatible device.

The device is connected to the printer.

### ▶▶▶ Note

- You can check the password set for the printer by the following method.

1. On the HOME screen, tap  (**Network**).

2. Tap **Wireless Direct**.


3. Tap **Show password**.

- If your Wi-Fi Direct compatible device is set to prioritize using Wi-Fi Direct and it is connecting to the printer, the printer displays a confirmation screen asking if you allow the device to connect to the printer.

Make sure the name on the touch screen is the same as that of your Wi-Fi Direct compatible device and tap **Yes**.

## Change Wireless Direct Connection Setting

1. [Make sure printer is turned on.](#)

2. On the HOME screen, tap  (**Network**).

➔ [Home Screen Menu Composition](#)

3. Tap **Wireless Direct**.

4. Tap **Settings**.

5. Change settings as necessary.

- To update the identifier (SSID) and the password for wireless direct  
Tap **Update SSID/password** to display the confirmation screen.  
To update the identifier (SSID) and the password, tap **Yes**.  
To check the updated password, tap **Show password**.
- To change the printer's name displayed on the Wi-Fi Direct compatible device  
Tap **Wireless Direct network (SSID)** to display the printer's name (the initial value is "DIRECT-XXXX-GP-NNNN") displayed on a Wi-Fi Direct compatible device.  
Follow the procedure below to change the name.
  1. Tap the device name entry field on the touch screen.
  2. Enter device name (up to 32 characters).
  3. Tap **OK** and confirm the entered device name.
  4. Tap **OK**.
- To change the confirmation screen setting when a Wi-Fi Direct compatible device is connecting to the printer  
Tap **Connection request confirmation** to display the confirmation screen.  
If you want the printer to display the screen to inform you a Wi-Fi Direct compatible device is connecting to the printer, tap **Yes**.

### »»» Important

- To prevent an unauthorized access, we recommend you should not change the setting from the default.


When you finished performing the settings, the printer returns to the **Wireless Direct settings** screen.

## ▶▶▶ Note

- If you change the wireless direct setting on the printer, also change the setting on the device.

## Change the Printer Setting to Wi-Fi Connection

1. [Make sure printer is turned on.](#)

2. On the HOME screen, tap  (**Network**).

➔ [Home Screen Menu Composition](#)

3. Tap **Wi-Fi**.
4. Tap **Settings**.
5. Tap **Enable/disable Wi-Fi** and tap **Enable**.
6. Confirm displayed message and tap **OK**.

## Default Network Settings

### LAN Connection Defaults

Item	Default
Enable/Disable LAN	Wired LAN enabled
Network name (SSID)	BJNPSETUP
Communication mode	Infrastructure
Wi-Fi security	Disable
IP address (IPv4)	DHCP
IP address (IPv6)	Auto setup
Set printer name *1	XXXXXXXXXXXX
Enable/disable IPv6	Enable
Enable/disable WSD	Disable
Timeout settings	15 minutes
Enable/disable Bonjour	Enable
Service name	Canon GP-NNNN *2
LPR protocol settings	Enable
Wi-Fi DRX settings	Enable
Wired LAN DRX settings	Enable

("XX" represents alphanumeric characters.)

\*1 Default value depends on printer. To check value, use operation panel.

➔ [LAN settings](#)

\*2 NNNN means your printer model name.

### Wireless Direct Defaults

Item	Default
Network name (SSID)	DIRECT-abXX-GP-NNNN *1
Password	YYYYYYYYYY *2
Wi-Fi security	WPA2-PSK (AES)
Connection request confirmation	Displayed

\*1 "ab" is specified at random and "XX" represents last two digits of printer's wireless MAC address.  
NNNN means your printer model.

\*2 The password is specified automatically when the printer is turned on for the first time.



## Another Printer Found with Same Name

When the printer is found during setup, other printers with the same name may appear on the results screen.

Select a printer with checking the printer settings against those on detection result screen.

Check the printer's MAC address or serial to select the correct printer from the results.

### ▶▶▶ Note

- Serial number may not appear on result screen.

Check the printer's MAC address and the serial number by one of the following methods.

- Display on the touch screen.
  - MAC address
  - Serial number

Refer to **Printer information > System information**.

- Print the network settings.
  - ➔ [Printing Network Settings](#)

## Connecting to Another Computer via LAN/Changing from USB to LAN Connection

---

### For Windows:

To add a computer to connect to the printer on a LAN or to change from USB to LAN connection, perform setup using the Setup CD-ROM or from Setup Guide.

### For macOS:

To connect an additional computer to the printer via LAN, or to change from USB to LAN connection, perform setup from Setup Guide.

## Printing Network Settings

Use the operation panel to print the printer's current network settings.

### ▶▶▶ Important

- The network settings printout contains important information about your network. Handle it with care.

1. [Check that printer is turned on.](#)

2. Load plain paper.

➔ [Loading Rolls on the Roll Holder](#)

➔ [Loading Rolls in the Printer](#)

If you use sheets, prepare at least 10 sheets (A4 or Letter-sized).

➔ [Loading Sheets in the Printer](#)

3. Select  (**Setup**) icon on HOME screen.

4. Select **Printer settings**.

5. Select **LAN settings**.


6. Select **Print details**.

7. Select **Yes** on displayed screen.

8. Select **Yes** or **No** on displayed screen.

The printer starts printing network settings information.

### ▶▶▶ Note

- You can also print the printer's network settings. Select the  (**Setup**) icon > **Printer settings** > **Test print** > **Print LAN details** > **Yes** > **Yes**.

The printed network settings information is as follows: (Some setting values are not displayed depending on the printer settings.)

Item	Description	Setting
LAN Setting	Basic setting information	-
Basic Info	IPv4 setting information (Wired LAN)	-
LAN Interface Mode	Current interface	Wired LAN/Wireless LAN(Infra)/Wireless LAN(AP)/Wireless(Wireless direct)/Disabled

Link Active	Operation status	Active/Inactive
IP Address	IPv4 IP address	XXX.XXX.XXX.XXX
Gateway Address	IPv4 default gateway	XXX.XXX.XXX.XXX
Subnet Mask	IPv4 subnet mask	XXX.XXX.XXX.XXX
IP Mode	Acquiring method of IPv4 IP address	Auto IP/DHCP/Manual
Use DNS Auto Mode	Acquiring DNS server automatically	On/Off
Primary DNS Server Address	Primary DNS server address	XXX.XXX.XXX.XXX
Secondary DNS Server Address	Secondary DNS server address	XXX.XXX.XXX.XXX
Control Filtering	SNMP filtering setting information	-
Use IP Filtering	Operation status of IP filtering	On/Off
IP Filtering Select	IP filtering method	Disabled/Enabled
IP Filtering Permission Address	IP filtering permission address	-
Start Address 1	Start address 1	XXX.XXX.XXX.XXX
End Address 1	End address 1	XXX.XXX.XXX.XXX
Use Single On 1	Use single on 1	On/Off
Start Address 2	Start address 2	XXX.XXX.XXX.XXX
End Address 2	End address 2	XXX.XXX.XXX.XXX
Use Single On 2	Use single on 2	On/Off
Start Address 3	Start address 3	XXX.XXX.XXX.XXX
End Address 3	End address 3	XXX.XXX.XXX.XXX
Use Single On 3	Use single on 3	On/Off
Start Address 4	Start address 4	XXX.XXX.XXX.XXX
End Address 4	End address 4	XXX.XXX.XXX.XXX
Use Single On 4	Use single on 4	On/Off
Start Address 5	Start address 5	XXX.XXX.XXX.XXX
End Address 5	End address 5	XXX.XXX.XXX.XXX
Use Single On 5	Use single on 5	On/Off
IP Filtering Prohibit Address	IP filtering prohibit address	-
Start Address 1	Start address 1	XXX.XXX.XXX.XXX

End Address 1	End address 1	XXX.XXX.XXX.XXX
Use Single On 1	Use single on 1	On/Off
Start Address 2	Start address 2	XXX.XXX.XXX.XXX
End Address 2	End address 2	XXX.XXX.XXX.XXX
Use Single On 2	Use single on 2	On/Off
Start Address 3	Start address 3	XXX.XXX.XXX.XXX
End Address 3	End address 3	XXX.XXX.XXX.XXX
Use Single On 3	Use single on 3	On/Off
Start Address 4	Start address 4	XXX.XXX.XXX.XXX
End Address 4	End address 4	XXX.XXX.XXX.XXX
Use Single On 4	Use single on 4	On/Off
LAN Setting	Basic setting information	-
Basic Info	IPv4 setting information (Wired LAN)	-
Control Filtering	SNMP filtering setting information	-
IP Filtering Prohibit Address	IP filtering prohibit address	-
Start Address 5	Start address 5	XXX.XXX.XXX.XXX
End Address 5	End address 5	XXX.XXX.XXX.XXX
Use Single On 5	Use single on 5	On/Off
Print Filtering	Print filtering setting information	-
Use IP Filtering	Operation status of IP filtering	On/Off
IP Filtering Select	IP filtering method	Disabled/Enabled
IP Filtering Permission Address	IP filtering permission address	-
Start Address 1	Start address 1	XXX.XXX.XXX.XXX
End Address 1	End address 1	XXX.XXX.XXX.XXX
Use Single On 1	Use single on 1	On/Off
Start Address 2	Start address 2	XXX.XXX.XXX.XXX
End Address 2	End address 2	XXX.XXX.XXX.XXX
Use Single On 2	Use single on 2	On/Off
Start Address 3	Start address 3	XXX.XXX.XXX.XXX

End Address 3	End address 3	XXX.XXX.XXX.XXX
Use Single On 3	Use single on 3	On/Off
Start Address 4	Start address 4	XXX.XXX.XXX.XXX
End Address 4	End address 4	XXX.XXX.XXX.XXX
Use Single On 4	Use single on 4	On/Off
Start Address 5	Start address 5	XXX.XXX.XXX.XXX
End Address 5	End address 5	XXX.XXX.XXX.XXX
Use Single On 5	Use single on 5	On/Off
IP Filtering Prohibit Address	IP filtering prohibit address	-
Start Address 1	Start address 1	XXX.XXX.XXX.XXX
End Address 1	End address 1	XXX.XXX.XXX.XXX
Use Single On 1	Use single on 1	On/Off
Start Address 2	Start address 2	XXX.XXX.XXX.XXX
End Address 2	End address 2	XXX.XXX.XXX.XXX
Use Single On 2	Use single on 2	On/Off
Start Address 3	Start address 3	XXX.XXX.XXX.XXX
End Address 3	End address 3	XXX.XXX.XXX.XXX
Use Single On 3	Use single on 3	On/Off
Start Address 4	Start address 4	XXX.XXX.XXX.XXX
End Address 4	End address 4	XXX.XXX.XXX.XXX
Use Single On 4	Use single on 4	On/Off
Start Address 5	Start address 5	XXX.XXX.XXX.XXX
End Address 5	End address 5	XXX.XXX.XXX.XXX
Use Single On 5	Use single on 5	On/Off
LAN Setting	Basic setting information	-
IPv6 Info	IPv6 setting information (Wired LAN)	-
Link Local Address	Link local address	-
IP Address	IPv6 IP address	XXXX:XXXX:XXXX:XXXX XXXX:XXXX:XXXX:XXXX

Prefix Length	Link local address prefix length	XXX (0 to 128)
Use Manual Mode	Operation status of IPv6 manual address	On/Off
Manual Address	Manual address	-
IP Address	IPv6 IP address	XXXX:XXXX:XXXX:XXXX XXXX:XXXX:XXXX:XXXX
Prefix Length	Prefix length	XXX (0 to 128)
Use Stateful Address Mode	Operation status of stateful address mode	On/Off
Stateful Address	Stateful address	-
IP Address	IPv6 IP address	XXXX:XXXX:XXXX:XXXX XXXX:XXXX:XXXX:XXXX
Prefix Length	Prefix length	XXX (0 to 128)
Stateless Address	Stateless address	-
IP Address 1	IP address 1	XXXX:XXXX:XXXX:XXXX XXXX:XXXX:XXXX:XXXX
Prefix Length 1	Prefix length 1	XXX (0 to 128)
IP Address 2	IP address 2	XXXX:XXXX:XXXX:XXXX XXXX:XXXX:XXXX:XXXX
Prefix Length 2	Prefix length 2	XXX (0 to 128)
IP Address 3	IP address 3	XXXX:XXXX:XXXX:XXXX XXXX:XXXX:XXXX:XXXX
Prefix Length 3	Prefix length 3	XXX (0 to 128)
IP Address 4	IP address 4	XXXX:XXXX:XXXX:XXXX XXXX:XXXX:XXXX:XXXX
Prefix Length 4	Prefix length 4	XXX (0 to 128)
Gateway Address	Gateway address	-
IP Address 1	IP address 1	XXXX:XXXX:XXXX:XXXX XXXX:XXXX:XXXX:XXXX
Prefix Length 1	Prefix length 1	XXX (0 to 128)
IP Address 2	IP address 2	XXXX:XXXX:XXXX:XXXX XXXX:XXXX:XXXX:XXXX
Prefix Length 2	Prefix length 2	XXX (0 to 128)

IP Address 3	IP address 3	XXXX:XXXX:XXXX:XXXX XXXX:XXXX:XXXX:XXXX
Prefix Length 3	Prefix length 3	XXX (0 to 128)
IP Address 4	IP address 4	XXXX:XXXX:XXXX:XXXX XXXX:XXXX:XXXX:XXXX
Prefix Length 4	Prefix length 4	XXX (0 to 128)
Use DNS Auto Mode	Acquiring DNS server automatically	On/Off
Primary DNS Server Address	Primary DNS server address	XXXX:XXXX:XXXX:XXXX XXXX:XXXX:XXXX:XXXX
Secondary DNS Server Address	Secondary DNS server address	XXXX:XXXX:XXXX:XXXX XXXX:XXXX:XXXX:XXXX
Control Filtering	SNMP filtering setting information	-
Use IP Filtering	Operation status of IP filtering	On/Off
IP Filtering Select	IP filtering method	Disabled/Enabled
IPv6 Filtering Permission Info	IPv6 filtering permission information	-
IP Filtering Start Address 1	IP filtering start address 1	XXXX:XXXX:XXXX:XXXX XXXX:XXXX:XXXX:XXXX
IP Filtering End Address 1	IP filtering end address 1	XXXX:XXXX:XXXX:XXXX XXXX:XXXX:XXXX:XXXX
Use Single On 1	Use single on 1	On/Off
LAN Setting	Basic setting information	-
IPv6 Info	IPv6 setting information (Wired LAN)	-
Control Filtering	SNMP filtering setting information	-
IP Filtering Start Address 2	IP filtering start address 2	XXXX:XXXX:XXXX:XXXX XXXX:XXXX:XXXX:XXXX
IP Filtering End Address 2	IP filtering end address 2	XXXX:XXXX:XXXX:XXXX XXXX:XXXX:XXXX:XXXX
Use Single On 2	Use single on 2	On/Off
IP Filtering Start Address 3	IP filtering start address 3	XXXX:XXXX:XXXX:XXXX XXXX:XXXX:XXXX:XXXX
IP Filtering End Address 3	IP filtering end address 3	XXXX:XXXX:XXXX:XXXX XXXX:XXXX:XXXX:XXXX



Use Single On 3	Use single on 3	On/Off
IP Filtering Start Address 4	IP filtering start address 4	XXXX:XXXX:XXXX:XXXX XXXX:XXXX:XXXX:XXXX
IP Filtering End Address 4	IP filtering end address 4	XXXX:XXXX:XXXX:XXXX XXXX:XXXX:XXXX:XXXX
Use Single On 4	Use single on 4	On/Off
IP Filtering Start Address 5	IP filtering start address 5	XXXX:XXXX:XXXX:XXXX XXXX:XXXX:XXXX:XXXX
IP Filtering End Address 5	IP filtering end address 5	XXXX:XXXX:XXXX:XXXX XXXX:XXXX:XXXX:XXXX
Use Single On 5	Use single on 5	On/Off
IPv6 Filtering Prohibit Info	IPv6 Filtering prohibit information	-
IP Filtering Start Address 1	IP filtering start address 1	XXXX:XXXX:XXXX:XXXX XXXX:XXXX:XXXX:XXXX
IP Filtering End Address 1	IP filtering end address 1	XXXX:XXXX:XXXX:XXXX XXXX:XXXX:XXXX:XXXX
Use Single On 1	Use single on 1	On/Off
IP Filtering Start Address 2	IP filtering start address 2	XXXX:XXXX:XXXX:XXXX XXXX:XXXX:XXXX:XXXX
IP Filtering End Address 2	IP filtering end address 2	XXXX:XXXX:XXXX:XXXX XXXX:XXXX:XXXX:XXXX
Use Single On 2	Use single on 2	On/Off
IP Filtering Start Address 3	IP filtering start address 3	XXXX:XXXX:XXXX:XXXX XXXX:XXXX:XXXX:XXXX
IP Filtering End Address 3	IP filtering end address 3	XXXX:XXXX:XXXX:XXXX XXXX:XXXX:XXXX:XXXX
Use Single On 3	Use single on 3	On/Off
IP Filtering Start Address 4	IP filtering start address 4	XXXX:XXXX:XXXX:XXXX XXXX:XXXX:XXXX:XXXX
IP Filtering End Address 4	IP filtering end address 4	XXXX:XXXX:XXXX:XXXX XXXX:XXXX:XXXX:XXXX
Use Single On 4	Use single on 4	On/Off

IP Filtering Start Address 5	IP filtering start address 5	XXXX:XXXX:XXXX:XXXX XXXX:XXXX:XXXX:XXXX
IP Filtering End Address 5	IP filtering end address 5	XXXX:XXXX:XXXX:XXXX XXXX:XXXX:XXXX:XXXX
Use Single On 5	Use single on 5	On/Off
Print Filtering	Print filtering setting information	-
Use IP Filtering	Operation status of IP filtering	On/Off
IP Filtering Select	IP filtering method	Disabled/Enabled
IP Filtering Permission Info	IP filtering permission information	-
IP Filtering Start Address 1	IP filtering start address 1	XXXX:XXXX:XXXX:XXXX XXXX:XXXX:XXXX:XXXX
IP Filtering End Address 1	IP filtering end address 1	XXXX:XXXX:XXXX:XXXX XXXX:XXXX:XXXX:XXXX
Use Single On 1	Use single on 1	On/Off
IP Filtering Start Address 2	IP filtering start address 2	XXXX:XXXX:XXXX:XXXX XXXX:XXXX:XXXX:XXXX
IP Filtering End Address 2	IP filtering end address 2	XXXX:XXXX:XXXX:XXXX XXXX:XXXX:XXXX:XXXX
Use Single On 2	Use single on 2	On/Off
LAN Setting	Basic setting information	-
IPv6 Info	IPv6 setting information (Wired LAN)	-
Print Filtering	Print filtering setting information	-
IP Filtering Start Address 3	IP filtering start address 3	XXXX:XXXX:XXXX:XXXX XXXX:XXXX:XXXX:XXXX
IP Filtering End Address 3	IP filtering end address 3	XXXX:XXXX:XXXX:XXXX XXXX:XXXX:XXXX:XXXX
Use Single On 3	Use single on 3	On/Off
IP Filtering Start Address 4	IP filtering start address 4	XXXX:XXXX:XXXX:XXXX XXXX:XXXX:XXXX:XXXX
IP Filtering End Address 4	IP filtering end address 4	XXXX:XXXX:XXXX:XXXX XXXX:XXXX:XXXX:XXXX
Use Single On 4	Use single on 4	On/Off

IP Filtering Start Address 5	IP filtering start address 5	XXXX:XXXX:XXXX:XXXX XXXX:XXXX:XXXX:XXXX
IP Filtering End Address 5	IP filtering end address 5	XXXX:XXXX:XXXX:XXXX XXXX:XXXX:XXXX:XXXX
Use Single On 5	Use single on 5	On/Off
IPv6 Filtering Prohibit Info	IPv6 Filtering prohibit information	-
IP Filtering Start Address 1	IP filtering start address 1	XXXX:XXXX:XXXX:XXXX XXXX:XXXX:XXXX:XXXX
IP Filtering End Address 1	IP filtering end address 1	XXXX:XXXX:XXXX:XXXX XXXX:XXXX:XXXX:XXXX
Use Single On 1	Use single on 1	On/Off
IP Filtering Start Address 2	IP filtering start address 2	XXXX:XXXX:XXXX:XXXX XXXX:XXXX:XXXX:XXXX
IP Filtering End Address 2	IP filtering end address 2	XXXX:XXXX:XXXX:XXXX XXXX:XXXX:XXXX:XXXX
Use Single On 2	Use single on 2	On/Off
IP Filtering Start Address 3	IP filtering start address 3	XXXX:XXXX:XXXX:XXXX XXXX:XXXX:XXXX:XXXX
IP Filtering End Address 3	IP filtering end address 3	XXXX:XXXX:XXXX:XXXX XXXX:XXXX:XXXX:XXXX
Use Single On 3	Use single on 3	On/Off
IP Filtering Start Address 4	IP filtering start address 4	XXXX:XXXX:XXXX:XXXX XXXX:XXXX:XXXX:XXXX
IP Filtering End Address 4	IP filtering end address 4	XXXX:XXXX:XXXX:XXXX XXXX:XXXX:XXXX:XXXX
Use Single On 4	Use single on 4	On/Off
IP Filtering Start Address 5	IP filtering start address 5	XXXX:XXXX:XXXX:XXXX XXXX:XXXX:XXXX:XXXX
IP Filtering End Address 5	IP filtering end address 5	XXXX:XXXX:XXXX:XXXX XXXX:XXXX:XXXX:XXXX
Use Single On 5	Use single on 5	On/Off
MAC Info	MAC address setting information (Wired/ Wi-Fi)	-

MAC Address(Wired)	MAC address (Wired LAN)	XX:XX:XX:XX:XX:XX
MAC Address(Wireless)	MAC address (Wi-Fi)	XX:XX:XX:XX:XX:XX
Use MAC Address Filtering	Operation status of MAC address filtering	On/Off
MAC Filtering Select	MAC address filtering method	Disabled/Enabled
MAC Filtering Permission Info	MAC filtering permission information	-
MAC Address 1	MAC address 1	XX:XX:XX:XX:XX:XX
MAC Address 2	MAC address 2	XX:XX:XX:XX:XX:XX
MAC Address 3	MAC address 3	XX:XX:XX:XX:XX:XX
MAC Address 4	MAC address 4	XX:XX:XX:XX:XX:XX
MAC Address 5	MAC address 5	XX:XX:XX:XX:XX:XX
LAN Setting	Basic setting information	-
MAC Info	MAC address setting information (Wired/ Wi-Fi)	-
MAC Filtering Prohibit Info	MAC filtering prohibit information	-
MAC Address 1	MAC address 1	XX:XX:XX:XX:XX:XX
MAC Address 2	MAC address 2	XX:XX:XX:XX:XX:XX
MAC Address 3	MAC address 3	XX:XX:XX:XX:XX:XX
MAC Address 4	MAC address 4	XX:XX:XX:XX:XX:XX
MAC Address 5	MAC address 5	XX:XX:XX:XX:XX:XX
Proxy Setting	Proxy server setting information	-
Use Proxy	Use proxy server	On/Off
Proxy Server Address	Proxy server address	XXXXXXXXXXXXXXXXXXXX (up to 128 characters)
Proxy Port Number	Proxy port specification	1 to 65535
Use User Authority Mode	Use user authority mode	On/Off
Proxy Server User Name	Proxy server user name	XXXXXXXXXXXXXXXXXXXX (up to 64 characters)
Wireless LAN Setting	Wi-Fi setting information	-
Channel	Channel (infrastructure)	XXX (0 to 255)
SSID	SSID	Wi-Fi (infrastructure) SSID (up to 32 characters)

Security Type	Security type for Wi-Fi (infrastructure)	Disabled/WEP 64bit/WEP 128bit/WPA PSK TKIP/WPA PSK AES/WPA2 PSK TKIP/WPA2 PSK AES/MIXED
WEP1	WEP key 1 for Wi-Fi (infrastructure)	XXXXXXXX (up to 32 characters)
WEP2	WEP key 2 for Wi-Fi (infrastructure)	XXXXXXXX (up to 32 characters)
WEP3	WEP key 3 for Wi-Fi (infrastructure)	XXXXXXXX (up to 32 characters)
WEP4	WEP key 4 for Wi-Fi (infrastructure)	XXXXXXXX (up to 32 characters)
WEP Certificate	WEP certificate for Wi-Fi (infrastructure)	Open/Shared/Auto
WEP Format	WEP format for Wi-Fi (infrastructure)	Hex/String
Direct Connection Setting	Wireless direct setting information	-
Device Name	Wireless direct device name	Wireless direct device name (up to 32 characters)
Channel	Channel (Wireless direct)	XXX (0 to 255)
SSID	SSID	Wireless direct network name (SSID) device name (up to 32 characters)
Security Type	Security type for Wi-Fi (Wireless direct)	Disabled/WPA2 PSK TKIP/WPA2 PSK AES
WSD Setting	WSD setting information	-
Use WSD	Use WSD	On/Off
WSD Timeout	Timeout	1/5/10/15/20 [min]
Use WSD Rx Optimization	Use WSD reception optimization	On/Off
Protocol Setting	Protocol setting information	-
Printer Name	Printer name	XXXXXXXX (up to 16 characters)
Use LPR	Use LPR	On/Off
Use Wired DRX	Discontinuous reception (Wired LAN)	On/Off
Use Wireless DRX	Discontinuous reception (Wi-Fi)	On/Off
Use RAW	Use RAW	On/Off
Use LLMNR	Use LLMNR	On/Off
Use Spanning Tree	Use spanning tree	On/Off
Use Dedicated Port	Dedicated port setting	On/Off
SNMP Setting	SNMP setting information	-

Use SNMPv1	Use SNMPv1	On/Off
Use SNMPv3	Use SNMPv3	On/Off
SNMP Community Name1	SNMPv1 community name 1	XXXXXXXX (up to 32 characters)
SNMP Community Name2	SNMPv1 community name 2	XXXXXXXX (up to 32 characters)
SNMP Extra Access Authority	SNMPv1 extra access authority	Disable/Read Only/Read Write
SNMP Access Authority1	SNMPv1 community1/2 access authority	Read Only/Read Write
SNMP Access Authority2	SNMPv1 community1/2 access authority	Disable/Read Only/Read Write
SNMPv3 Setting	SNMPv3 setting information	-
User1	User 1	-
User Name	User name	XXXXXXXX (up to 32 characters)
Use SNMPv3	Use SNMPv3	On/Off
MIB Access Restriction	MIB access restriction	Read Only/Read Write
Security Setting	Security setting	No Auth No Priv/Auth No Priv/Auto Priv
Authority Algorithm	Authority algorithm	Null/MD5/SHA1
Encryption Algorithm	Encryption algorithm	Null/AES/DES
User2	User 2	-
User Name	User name	XXXXXXXX (up to 32 characters)
Use SNMPv3	Use SNMPv3	On/Off
MIB Access Restriction	MIB access restriction	Read Only/Read Write
Security Setting	Security setting	No Auth No Priv/Auth No Priv/Auto Priv
Authority Algorithm	Authority algorithm	Null/MD5/SHA1
Encryption Algorithm	Encryption algorithm	Null/AES/DES
User3	User 3	-
User Name	User name	XXXXXXXX (up to 32 characters)
Use SNMPv3	Use SNMPv3	On/Off
MIB Access Restriction	MIB access restriction	Read Only/Read Write
Security Setting	Security setting	No Auth No Priv/Auth No Priv/Auto Priv
Authority Algorithm	Authority algorithm	Null/MD5/SHA1
Encryption Algorithm	Encryption algorithm	Null/AES/DES

User4	User 4	-
User Name	User name	XXXXXXXX (up to 32 characters)
Use SNMPv3	Use SNMPv3	On/Off
MIB Access Restriction	MIB access restriction	Read Only/Read Write
Security Setting	Security setting	No Auth No Priv/Auth No Priv/Auto Priv
Authority Algorithm	Authority algorithm	Null/MD5/SHA1
Encryption Algorithm	Encryption algorithm	Null/AES/DES
User5	User 5	-
User Name	User name	XXXXXXXX (up to 32 characters)
Use SNMPv3	Use SNMPv3	On/Off
MIB Access Restriction	MIB access restriction	Read Only/Read Write
Security Setting	Security setting	No Auth No Priv/Auth No Priv/Auto Priv
Authority Algorithm	Authority algorithm	Null/MD5/SHA1
Encryption Algorithm	Encryption algorithm	Null/AES/DES
Dynamic DNS Setting	Dynamic DNS setting	-
IPv4	IPv4	-
Use Dynamic DNS	Operation status of Dynamic DNS	On/Off
Host Name	Host name	XXXXXXXX (up to 64 characters)
Domain Name	Domain name	XXXXXXXX (up to 65 characters)
IPv6	IPv6	-
Use Manual Address	DNS dynamic setting of manual address	On/Off
Use Stateless Address	DNS dynamic setting of stateless address	On/Off
Use Stateful Address	DNS dynamic setting of stateful address	On/Off
Use Name As IPv4	Use same host name/domain name as that used for IPv4	On/Off
Host Name	Host name	XXXXXXXX (up to 64 characters)
Domain Name	Domain name	XXXXXXXX (up to 65 characters)
SNTP Setting	SNTP setting information	-
Use SNTP	Use SNTP	On/Off
SNTP Polling Interval	SNTP polling interval	1 to 48 [sec]

SNTP Server Name	SNTP server name	XXXXXXXX (up to 256 characters)
FTP Setting	FTP setting information	-
Use FTP	Use FTP	On/Off
Use FTP Authority	Use FTP authority	On/Off
FTP User Name	FTP user name	XXXXXXXX (up to 33 characters)
Bonjour Setting	Bonjour setting information	-
Use Bonjour	Use Bonjour	On/Off
Bonjour Service Name	Bonjour service name	Bonjour service name (Up to 50 alphanumeric characters)
802.1X Setting	802.1X setting information	-
Authority Type	Enable/disable 802.1X and authority type	Do not use/EAP-TLS/EAP-TTLS/PEAP
EAP TTLS Type	Internal authority type for EAP-TTLS	MSCHAPv2/PAP
Weak Encryption Restriction	Weak encryption restriction	Do not restrict/Restrict
Weak Certificate Restriction	Weak certificate restriction	Do not restrict/Restrict
Login Name	Login name	XXXXXXXX (up to 24 characters)
User Name	User name	XXXXXXXX (up to 24 characters)
Server Name	Server name	XXXXXXXX (up to 43 characters)
IPsec Setting	IPsec setting information	-
Use IPsec	Use IPsec	On/Off
Previous Shared Key	Previous shared key for IPsec	XXXXXXXX (up to 17 characters)
Phase2 Protocol	IPsec phase2 protocol	AH/ESP/AH+ESP
IPP Setting	IPP confirmation setting	-
Use IPP	Use IPP	On/Off
Use IPP Authority	Use IPP authority	On/Off
IPP User Setting	IPP confirmation user setting	-
User1	User 1	-
User Name	User name	XXXXXXXX (up to 32 characters)
User2	User 2	-
User Name	User name	XXXXXXXX (up to 32 characters)
User3	User 3	-



User Name	User name	XXXXXXXX (up to 32 characters)
User4	User 4	-
User Name	User name	XXXXXXXX (up to 32 characters)
User5	User 5	-
User Name	User name	XXXXXXXX (up to 32 characters)
User6	User 6	-
User Name	User name	XXXXXXXX (up to 32 characters)
User7	User 7	-
User Name	User name	XXXXXXXX (up to 32 characters)
User8	User 8	-
User Name	User name	XXXXXXXX (up to 32 characters)
User9	User 9	-
User Name	User name	XXXXXXXX (up to 32 characters)
User10	User 10	-
User Name	User name	XXXXXXXX (up to 32 characters)
Email Setting	E-mail setting information	-
Retry Count	E-mail retry count	0 to 5
Retry Interval	E-mail retry interval	1 to 60 (min)
Use Email Notification	Use E-mail notification	On/Off
Use SSL	Use SSL	On/Off
Use SSL Cert No Check	Use SSL certification	On/Off
Use Mailbox Delete	Use mailbox delete	On/Off
SMTP Server Address	SMTP server address	XXXXXXXX (up to 256 characters)
SMTP Server Port No	SMTP server port number	1 to 65535
SMTP State	SMTP state	Invalid/Authorized/POP before SMTP
From Address	From address	XXXXXXXX (up to 128 characters)
To Address 1	To address 1	XXXXXXXX (up to 128 characters)
Reply Address 1	Reply address 1	XXXXXXXX (up to 128 characters)
Notice Conditions 1	Notice conditions 1	-

Job End	Job end	On/Off
Error Occurred	Error occurred	On/Off
Warning Occurred	Warning occurred	On/Off
Signature 1	Signature 1	XXXXXXXX (up to 128 characters)
To Address 2	To address 2	XXXXXXXX (up to 128 characters)
Reply Address 2	Reply address 2	XXXXXXXX (up to 128 characters)
Notice Conditions 2	Notice conditions 2	-
Job End	Job end	On/Off
Error Occurred	Error occurred	On/Off
Warning Occurred	Warning occurred	On/Off
Signature 2	Signature 2	XXXXXXXX (up to 128 characters)
RUI Setting	Remote UI setting information	-
Use RUI	Use Remote UI	On/Off

("XX" represents alphanumeric characters.)

# Reconfiguration Method of LAN Connection/Reconfiguration Method of Wi-Fi Connection

- ➔ [Changing LAN Connection Method](#)
- ➔ [Changing Wi-Fi Connection Method](#)

## Changing LAN Connection Method

Follow either procedure below to change LAN connection method (wired or wireless).

- **For Windows:**

- Redo setup using the Setup CD-ROM or from Setup Guide.
- Select **Enable** for **Enable/disable Wired LAN** or **Enable/disable Wi-Fi** in the touch screen menu.

After that, perform settings on the **Network Settings** screen on IJ Network Device Setup Utility.

For details, refer to "Performing/Changing Network Settings" > "Performing Network Settings" in IJ Network Device Setup Utility Guide.

➔ [IJ Network Device Setup Utility Guide](#)

- **For macOS:**

Redo setup from Setup Guide.

## Changing Wi-Fi Connection Method

Follow either procedure below to change Wi-Fi connection method (infrastructure or wireless direct).

- **For Windows:**

- Redo setup using the Setup CD-ROM or from Setup Guide.
- Perform settings on the **Network Settings** screen on IJ Network Device Setup Utility.

### ➤➤➤ Important

- Before you perform settings using IJ Network Device Setup Utility, change the printer settings following the procedure below.

1. Select **LAN settings** on HOME screen.

➔ [Home Screen Menu Composition](#)

If you specify the administrator password, enter the password.

2. Select **Wi-Fi**.

3. Select **Settings**.

4. Select **Wi-Fi setup**.

**5. Select **Easy wireless connect**.**

**6. Check message and select **OK**.**

Follow instructions on your smartphone or tablet.

**7. If message saying setup is completed appears, select **OK**.**

• **For macOS:**

Redo setup from Setup Guide.

## Countermeasures against Unauthorized Access

This section describes countermeasures against an unauthorized access to the printer from outside. When you use the printer via a network or you are an administrator, we recommend you read this section before using the printer.

Four countermeasures below can be helpful against an unauthorized access.

- ➔ [Specify a Private IP Address](#)
- ➔ [Restrict Communication Using Firewall or Wi-Fi Router](#)
- ➔ [Specify a Password for the Printer](#)
- ➔ [Apply higher security level for Wi-Fi connection](#)

### ▶▶▶ Note

- As the setting procedure described below is an example, it may be different from that of your printer. For details, refer to your printer's manual.

## Specify a Private IP Address

An IP address is a numeric label assigned to each device on the network. There are two types of IP address. One is used for internet connection ("global IP address"), and the other is used for a local area network such as an inhouse LAN ("private IP address").

If a global IP address is specified for the printer, many and unspecified users on internet can access to the printer. As a result, you will face an increased risk of information leakage caused by an unauthorized access from outside. On the other hand, if a private IP address is specified for the printer, users who can access to the printer are confined to those on a local area network such as an inhouse LAN. Therefore, we recommend you specify a private IP address for the printer.

The range of addresses used as a private IP address is shown below. Make sure whether a private IP address is specified for your printer.

### Range of private IP address

- 10.0.0.0 to 10.255.255.255
- 172.16.0.0 to 172.31.255.255
- 192.168.0.0 to 192.168.255.255

### Procedure to check the IP address

Select **Setup > Device settings > LAN settings** on your printer to select a network connection method and check the IP address. For the procedure to check and specify the IP address, refer to your printer's manual.

### ▶▶▶ Note

- Establishing an environment to protect an access from outside using a firewall can reduce a risk of an unauthorized access even though a global IP address is specified for your printer.

## Restrict Communication Using Firewall or Wi-Fi Router

Firewall is a system which prevents an unauthorized access from an external network user to protect an inhouse network against attack or intrusion.

Firewall enables your network to be protected against an unauthorized access by restricting a communication from the specific external IP address which seems to have a risk.

A home use Wi-Fi router has a similar function. Be careful when you change the settings.

## Specify a Password for the Printer

Even if a malicious third party accesses to your printer by any chance, you can reduce a risk of information leakage drastically by specifying a password to protect various information on your printer.

In addition, though the printer can be protected by specifying a password, it is important to manage the specified password for security. Manage your password referring to the four points below. For details, refer to your printer's manual.

- Be sure to change the default password.
- Change the password periodically.
- Do not use a password easy to guess for a third party.
- Do not tell a third party about the specified password casually.

### ▶▶ Note

- A password is not specified for some printers at the time of purchase. In this case, specify the password for the printer.
- A password cannot be specified for some printers.

### Password management using Remote UI (User Interface)

Remote UI is a software to access to the printer via a network by using a web browser. You can check the printer status or settings on Remote UI, which allows you to perform operations almost the same as those you can on the operation panel of the printer.

Entering the printer's IP address or host name on the web browser displays the portal page of Remote UI.

For the procedure to start up or operations of Remote UI, refer to your printer's manual.

### ▶▶▶ Important

- Do not access to a website while you are using Remote UI on the web browser.  
In addition, be sure to close the web browser when you leave your seat before you finish performing settings, or when you have finished performing settings.

## Apply higher security level for Wi-Fi connection

When you use the printer via Wi-Fi, we recommend you apply a security method with higher security level (e.g. WPA/WPA2).

For more on operations, refer to your printer's manual.

## Network Status and Troubleshooting

Check the network status referring to LAN setting information on the touch screen.

➔ [Printing Network Settings](#)

Network Status	What to Do
<p>Connected normally.</p> <p>If you are unable to print, see 1 on What to Do.</p>	<p>1. If you are unable to print, check the items below:</p> <ul style="list-style-type: none"> <li>• whether the computer is connected to Wi-Fi</li> <li>• whether the firewall of your security software is enabled</li> <li>• whether a privacy separator, SSID separator, or Network separation function is enabled on your wireless router</li> </ul> <p>If one of the above is enabled, disable it before setup.</p> <ul style="list-style-type: none"> <li>• whether the network name (SSID) of the printer (see "3-2-6" of network setting information printout) matches that of the router to connect</li> </ul> <p>2. To change the network connection method (wired/wireless), change it on the printer's network setting screen.</p>
<p>Wi-Fi is disabled on the printer.</p>	<p>Perform printer setup following the instructions of the manual.</p>
<p>Wired LAN connection is disabled.</p>	<ul style="list-style-type: none"> <li>• Make sure the printer is connected to the router with the LAN cable.</li> </ul> <p>If the LAN cable is loose, connect the cable properly.</p> <p>If the LAN cable is connected to the WAN side of the router, connect the cable to the LAN side of the router.</p> <ul style="list-style-type: none"> <li>• Make sure the network devices (e.g. hub or router) are turned on.</li> </ul>
<p>IP address is not assigned.</p>	<ul style="list-style-type: none"> <li>• If you specify the printer's IP address automatically, enable DHCP on the router.</li> <li>• If you specify the printer's IP address manually, the address is disabled because it is out of the valid range. You specified (0.0.0.0) as the IP address, for example.</li> </ul> <p>Specify the valid IP address.</p>
<p>The default gateway is not specified.</p>	<p>Check the items below to communicate by hopping routers (e.g. using a cloud application).</p> <ul style="list-style-type: none"> <li>• Make sure the device specified as the default gateway is turned on.</li> <li>• Specify the default gateway address correctly.</li> </ul> <p>To check the default gateway, print out the network settings information.</p> <p><b>▶▶▶ Note</b></p> <ul style="list-style-type: none"> <li>• For some printers, you can check the default gateway on the operation panel.</li> </ul>
<p>Cannot connect to the specified network.</p>	<p>Check the status of the printer, network devices (e.g. wireless router), or smartphone/tablet.</p> <ul style="list-style-type: none"> <li>• If they are turned off, turn them on.</li> <li>• Make sure wireless signal is strong.</li> </ul> <p>Monitor signal status and move the printer and wireless router as necessary.</p> <ul style="list-style-type: none"> <li>• The security key specified for the wireless router may not match that you entered.</li> </ul> <p>The security key is case-sensitive.</p>

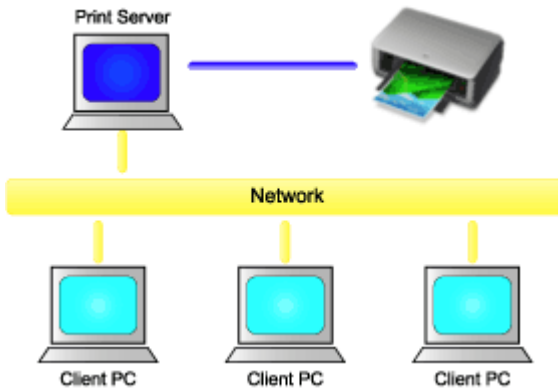
	Enter the correct security key.
Make sure wireless signal is strong.	<ul style="list-style-type: none"> <li>• Make sure the printer is not placed too far away from the wireless router.</li> <li>• Monitor signal status and move the printer and wireless router as necessary.</li> </ul>
The number of connected clients reaches the upper limit.	<ul style="list-style-type: none"> <li>• Wireless Direct does not allow more than 5 devices to be connected.</li> </ul> <p>If you add a device to connect, disconnect a device you do not use before adding the device.</p>
The signal to noise ratio (S/N ratio) is low.	<ul style="list-style-type: none"> <li>• There is a lot of noise from other devices.</li> </ul> <p>Move the printer apart from other devices.</p>
A link local address is assigned.	<ul style="list-style-type: none"> <li>• Perform printer setup again.</li> <li>• The security key specified for the wireless router may not match that you entered.</li> </ul> <p>The security key is case-sensitive.</p> <p>Enter the correct security key.</p>
The specified network name (SSID) is left default value.	<p>The network name (SSID) is not specified.</p> <p>Enter the network name (SSID) specified for the destination.</p>



## Sharing the Printer on a Network (macOS)

When multiple computers are being used in the network environment, you can share the printer connected to one computer with the other computers.

Before carrying out the setup for printer sharing, select **Network** from **System Preferences**, and check whether the network settings have been set.



This section describes the procedure for sharing a printer among Mac.

- [Settings on Print Server](#)

This section describes how to set up a computer that connects with this printer.

- [Settings on Client PC](#)

This section describes the procedure for setting a computer that uses this printer through a network. When you execute print, the data is sent to the printer through the print server system.

### Related Topic

- ➔ [Restrictions on Printer Sharing](#)

## Settings on Print Server

---

When you use the printer on a network, set up the printer driver for sharing on the print server system.

The procedure for setting up the print server systems is as follows:

1. [Install the printer driver](#) on the print server system

2. Check that the printer to be used has been added

Open **System Preferences**, and select **Printers & Scanners**.

The printer list displays the printers that are connected to the computer.

3. Set sharing

Check the **Share this printer on the network** check box.

### »» Note

- Depending on the environment you are using, a message prompting you to restart the computer may be displayed. To complete the installation properly, restart the computer.

The setup on the print server system is complete. Next, set up the client systems.

## Settings on Client PC

---

After setting up the print server system, set up the client system.

The procedure for setting up the client systems is as follows:

1. [Install the printer driver](#) on the client systems

2. Display the printer list

Open **System Preferences**, and select **Printers & Scanners**.

Click **+** to display the printer list.

3. Add a printer to be shared

Select a shared printer displayed in the printer list, and then click **Add**.

The setup on the client systems is now completed.

### ▶▶▶ Note

- The print procedures are the same as when the computer is connected directly to the printer with a USB cable.  
At the Page Setup dialog, select the printer that is connected to the print server to be used.

## Restrictions on Printer Sharing

---

These are restrictions that apply when you are using a printer in a network environment.

- Install the same version of the printer driver in the print server system and the client systems. You can download the latest printer driver from our web site.
- Use printer sharing with users who have the administrator privilege.
- Depending on how the computer is connected with the printer, the computer may not be able to access the function information that was set on the printer and display the correct settings.
- Media information on the printer driver cannot be changed when using a client machine.
- When using on the client side, you cannot configure **Accounting** settings.
- When using on the client side, you cannot use Remote UI.

## Adjustments for Better Print Quality

---

### ➤ Adjusting the Print Head

- Adjusting the Print Head
- Troubleshooting Paper Abrasion and Blurry Images

### ➤ Adjusting Feed Amount

- Adjusting Feed Amount
- Adjusting Vacuum Strength

## **Adjusting the Print Head**

---

- **Adjusting the Print Head**
- **Troubleshooting Paper Abrasion and Blurry Images**

## Adjusting the Print Head

---

If printed documents are affected by the following problems, try adjusting the print head.

- **If printing is faint or affected by banding in different colors**

Execute **Nozzle Check** in the touch screen menu to check for print head nozzle clogging.

➔ [Checking for Nozzle Clogging](#)

- **If printed lines are misaligned**

Execute **Print head angle adjustment** in the touch screen menu to adjust the print head angle.

Always adjust the print head angle after replacing the print head.

➔ [Adjusting Line Misalignment](#)

After executing **Print head angle adjustment**, adjust the print head position.

➔ [Automatic Adjustment to Straighten Lines and Colors](#)

➔ [Manual Adjustment to Straighten Lines and Colors](#)

- **If printed vertical lines are warped or colors are out of alignment**

Execute **Print Head Alignment** in the touch screen menu to adjust the print head position.

First, execute **Auto (standard)** of **Print Head Alignment**. If the print result is not improved, execute **Auto (advanced)** or **Manual**.

➔ [Automatic Adjustment to Straighten Lines and Colors](#)

➔ [Manual Adjustment to Straighten Lines and Colors](#)

- **If paper rubs against the print head, or image edges are blurred**

Setting **Paper thickness (head height)** in the touch screen menu and changing the height of the print head may improve the situation.

➔ [Troubleshooting Paper Abrasion and Blurry Images](#)

## Adjusting Line Misalignment

If printed lines are misaligned, execute **Print head angle adjustment** to adjust the print head angle. **Print head angle adjustment** requires you to examine a printed test pattern and adjust the angle using the angle adjustment lever.

Always adjust the print head angle after replacing the print head.

### ▶▶▶ Important

- Because the results of adjustment vary depending on the type of paper used for adjustment, use the same type of paper as you will use for printing.
- When using cut sheets, do not move the release lever until instructions (guidance) for removing the paper are displayed.

Moving the release lever during printing or maintenance operations will cause the printer to stop.

### Paper to Prepare

#### When using rolls

An unused roll at least 10.00 in. (254.0 mm) wide

#### When using sheets

1 sheet of unused paper of at least A4/Letter size

Perform adjustment as follows.

#### 1. Load paper.

- ➔ [Loading Rolls in the Printer](#)
- ➔ [Loading Sheets in the Printer](#)

### ▶▶▶ Important

- Always make sure the loaded paper matches the type of paper specified on the printer. Adjustment cannot be completed correctly unless the loaded paper matches the settings.



#### 2. Tap **(Setup) > Maintenance** on HOME screen.

- ➔ [Home Screen Menu Composition](#)

The **Maintenance** screen appears.

#### 3. Tap **Print head angle adjustment**.

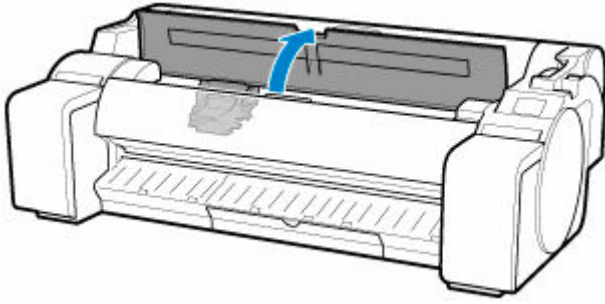
A confirmation message appears.

#### 4. Tap **Yes**.

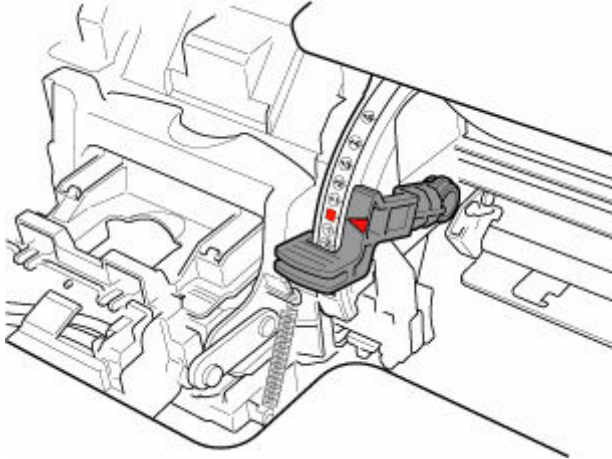
The carriage moves and instructions for the print head angle adjustment procedure are displayed on the touch screen.

#### 5. Open the top cover.





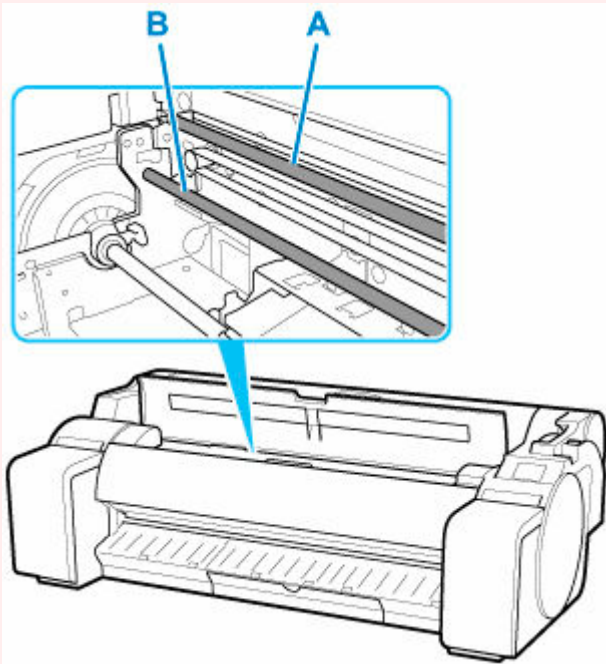
6. Align the angle adjustment lever with the red square and close the top cover.



A test pattern is printed for adjustment.

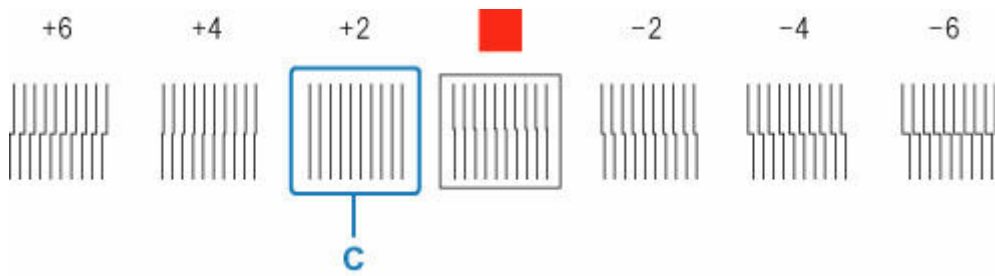
**»» Important**

- Do not touch the linear scale (A) or carriage shaft (B). Touching these may cause malfunction.

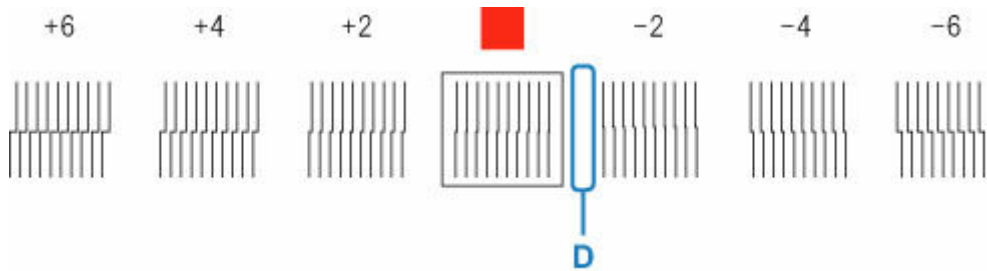


7. Examine the test pattern for adjustment. Determine the straightest set of lines.

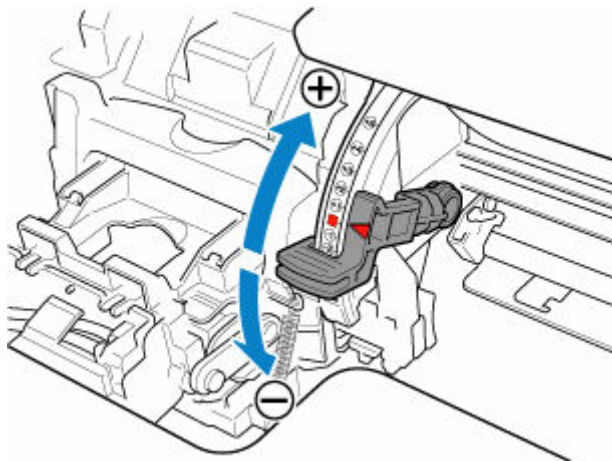
Example 1: Select "+2" in pattern (C).



Example 2: Move the angle adjustment lever to a position between the numbers or between the number and the square (D) of the two sets of lines that are least misaligned. In this case, select -1.

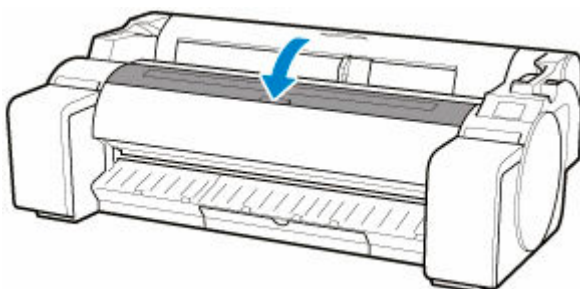


8. Open top cover and move angle adjustment lever to match number (or square) of straightest set of lines.



9. Close the top cover.

The print head is now straight, and adjustment is complete.



## »» Note

- If the problem, such as misaligned lines or color unevenness, is not solved after adjustment, execute **Print head angle adjustment** and move the angle adjustment lever in the front or the rear of the last position. When finished, execute **Print Head Alignment** again.

## Automatic Adjustment to Straighten Lines and Colors

If printed vertical lines are warped or colors are out of alignment, execute **Print Head Alignment** and adjust the print head position.

Choose from **Auto (standard)** or **Auto (advanced)** for automatically adjusting the print head.

Minor warping and misaligned colors can usually be improved by executing **Auto (standard)**. If there is no improvement, perform **Auto (advanced)** or **Manual**.

➔ [Manual Adjustment to Straighten Lines and Colors](#)

When you execute **Auto (standard)** or **Auto (advanced)**, the adjustment pattern is printed, and the print head position is adjusted based on the printing result automatically.



### ►► Important

- If the problem, such as misaligned lines, is conspicuous, or other problem, such as color unevenness, is not solved after executing **Print Head Alignment**, execute **Print head angle adjustment** and then execute **Print Head Alignment** again.

➔ [Adjusting Line Misalignment](#)

- Because the results of adjustment vary depending on the type of paper used for adjustment, use the same type of paper as you will use for printing.
- This function is not available with Tracing Paper, Translucent Matte Film, or Clear Film.
- When using cut sheets, do not move the release lever until instructions (guidance) for removing the paper are displayed.

Moving the release lever during printing or maintenance operations will cause the printer to stop.

### ►► Note

- After print head replacement, we recommend executing **Print Head Alignment**. When **Print pattern after new head** is set to **ON**, print head position adjustment is automatically executed after print head replacement.
- To change the paper type or for more beautiful color borders, perform **Auto (standard)**.
- To ensure clear quality and when replacing the print head, perform **Auto (advanced)** to fine-tune the position between nozzles and colors. To ensure high-quality printing, we recommend that you execute **Auto (advanced)**.
- If adjustment is not possible as expected using special paper, try another type of paper or try **Manual** adjustment.

➔ [Manual Adjustment to Straighten Lines and Colors](#)

### Paper to Prepare

#### When using rolls

An unused roll at least 10.00 in. (254.0 mm) wide

## When using sheets

**Auto (standard):** 2 sheets of unused paper, A4/Letter size or larger (or 1 sheet when using A2 or larger)

**Auto (advanced):** 3 sheets of unused paper, A4/Letter size or larger (or 1 sheet when using A2 or larger)

Perform adjustment as follows.

### 1. Load paper.

- ➔ [Loading Rolls in the Printer](#)
- ➔ [Loading Sheets in the Printer](#)

### ▶▶▶ Important

- Always make sure the loaded paper matches the type of paper specified on the printer. Adjustment cannot be completed correctly unless the loaded paper matches the settings.



### 2. Tap **(Setup) > Maintenance** on HOME screen.

- ➔ [Home Screen Menu Composition](#)

The **Maintenance** screen appears.

### 3. Tap **Print Head Alignment**.

### 4. Tap **Auto (standard)** or **Auto (advanced)**.

A confirmation message appears.

### 5. Tap **Yes**.

The paper source setting screen appears.

### 6. Tap **Roll paper** or **Manual**.

A test pattern is printed for adjustment.

### ▶▶▶ Note

- If you are printing on sheets smaller than A2 size, a confirmation message prompting you to continue printing appears on the touch screen. Tap **Yes** and follow the instructions on the touch screen.

## Manual Adjustment to Straighten Lines and Colors

If printed vertical lines are warped or colors are out of alignment, execute **Print Head Alignment** and adjust the print head position.

Normally, execute **Auto (standard)**.

➔ [Automatic Adjustment to Straighten Lines and Colors](#)

However, when printing on special paper or if printing is not improved after **Auto (advanced)**, try **Manual**.

**Manual** adjustment requires you to examine the printed test pattern and enter an adjustment value.



### Important

- Because the results of adjustment vary depending on the type of paper used for adjustment, use the same type of paper as you will use for printing.
- When using cut sheets, do not move the release lever until instructions (guidance) for removing the paper are displayed.

Moving the release lever during printing or maintenance operations will cause the printer to stop.

### Paper to Prepare

#### When using rolls

An unused roll at least 10.00 in. (254.0 mm) wide

#### When using sheets

1 sheet of unused paper, A4/Letter size or larger (or 1 sheet when using A2 or larger)

Perform adjustment as follows.

#### 1. Load paper.

- ➔ [Loading Rolls in the Printer](#)
- ➔ [Loading Sheets in the Printer](#)

### Important

- Always make sure the loaded paper matches the type of paper specified on the printer. Adjustment cannot be completed correctly unless the loaded paper matches the settings.



#### 2. Tap **(Setup) > Maintenance** on HOME screen.

- ➔ [Home Screen Menu Composition](#)

The **Maintenance** screen appears.

#### 3. Tap **Print Head Alignment**.

**4. Tap Manual.**

A confirmation message appears.

**▶▶▶ Note**

- If you do not perform **Auto (advanced)**, a confirmation message prompting you to perform **Auto (advanced)** appears. In this case, tap **Yes** and perform **Auto (advanced)**.

**5. Tap Yes.**

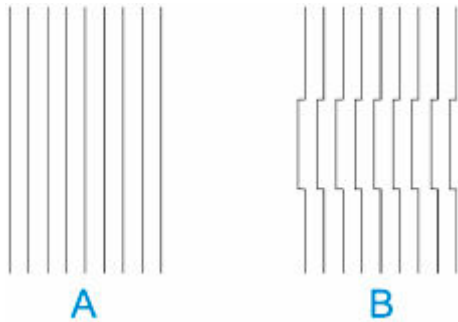
The paper source setting screen appears.

**6. Tap Roll paper or Manual.**

A test pattern is printed for adjustment.

**7. Tap D-1.**

**8. Examine adjustment test pattern D-1 and determine the number with straight lines.**



A: Example with straight lines

B: Example with misaligned lines

**▶▶▶ Note**

- If two patterns seem equally good and you cannot decide which one is better, choose an intermediate value. For example, choose 11 if you cannot decide whether pattern 10 or 12 is better.

**9. Repeat steps 7-8 to specify adjustment values for D-2 and other remaining patterns.**

Specify all the items displayed on the touch screen.

**10. Tap OK.**

The adjustment value is now registered, and adjustment is complete.

## Troubleshooting Paper Abrasion and Blurry Images

The print head height setting affects printing quality.

Specifying a low print head height makes images clearer and enhances printing quality but may cause paper to rub against the print head.

On the other hand, specifying a high print head height will prevent paper from rubbing against the print head but may reduce the printing quality.

### ▶▶▶ Important

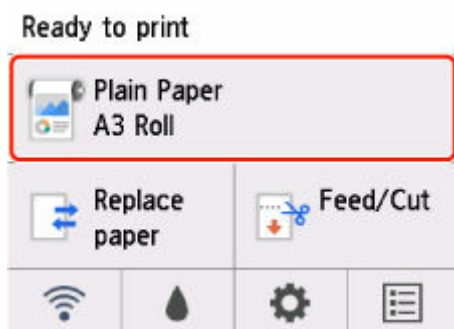
- Paper rubbing against or becoming caught on the print head may jam or result in printed documents that are soiled.

### ▶▶▶ Note

- Raise or lower print head, depending on nature of the problem.
  - ➔ [Paper rubs against the Print Head](#)
  - ➔ [The edges of the paper are dirty](#)
  - ➔ [Image edges are blurred or white banding occurs](#)

1. Tap paper setting display area on HOME screen.

- ➔ [Home Screen Menu Composition](#)



The **Paper menu** screen appears.

2. Tap **Paper settings**.

The **Paper settings** screen appears.

3. Tap **Advanced**.

The **Advanced paper settings** screen appears.

4. Tap **Paper thickness (head height)**.

5. Drag slider to set paper thickness (head height) and tap **OK**.



## ▶▶▶ Note

- When **Auto** is set to **ON**, before printing, the printer automatically adjusts the print head height to the level optimal for the ambient temperature and humidity. You can check the setting for the previous print job in **Values applied with auto settings**.

➡ [Printer information](#)

- When **Auto** is set to **OFF**, the setting selected during this procedure is applied.
- Depending on the type of paper, some setting values may not be available.

## **Adjusting Feed Amount**

---

- **Adjusting Feed Amount**
- **Adjusting Vacuum Strength**

## **Adjusting Feed Amount**

---

- **Selecting Feed Amount Adjustment Method**
- **Automatic Banding Adjustment**
- **Manual Banding Adjustment**
- **Fine-Tuning Paper Feed Amount**
- **Adjusting Line Length**

## Selecting Feed Amount Adjustment Method

There are two methods of adjusting the paper feed amount, **Prioritize print quality** and **Prioritize length accuracy**, either of which will be applied during printing.

Since the method that is applied during printing is determined from the value of the **Set priority** setting, configure **Set priority** to match the print target.

Follow the procedure below to perform settings.

1. Tap  (**Setup**) on HOME screen.

➔ [Home Screen Menu Composition](#)

2. Tap **Maintenance**.
3. Tap **Paper feed adjustment**.
4. Tap **Set priority**.
5. Tap paper to adjust.
6. Tap setting.

### Auto

**Prioritize print quality** will be selected when **Print Target** is set from the printer driver.

### Prioritize print quality

Adjusts the feed amount to reduce banding across the sheet in printed documents. **Adjust print quality** settings are applied.

When **Paper feed fine adjustment** is executed, the **Paper feed fine adjustment** settings are applied in addition to the **Adjust print quality** settings.

### Prioritize length accuracy

Adjusts the feed amount for better accuracy of lines in printed documents. The value of **Change adjustment values** in **Adjust feed length** is applied.

7. Tap **OK**.

## Automatic Banding Adjustment

If printed images are affected by banding in different colors across the sheet, execute **Adjust print quality** for automatic adjustment of the paper feed amount.

The printer prints and reads a test pattern for automatic adjustment of the feed amount.

### ▶▶▶ Important

- When using highly transparent media, use manual adjustment.

➔ [Manual Banding Adjustment](#)

### ▶▶▶ Note

- We recommend executing the adjustment if you have changed the paper type or paper size.
- Always check the **Set priority** values.
  - ➔ [Selecting Feed Amount Adjustment Method](#)
- If additional fine-tuning is necessary, execute **Paper feed fine adjustment**.
  - ➔ [Fine-Tuning Paper Feed Amount](#)
- Use **Adjust feed length** to ensure that lines in CAD drawings are printed at exactly the right length.
  - ➔ [Adjusting Line Length](#)
- This may take some time, depending on the type of paper.

### Items to Prepare

#### When Using Rolls

An unused roll at least 254.0 mm (10.00 in.) wide

#### When Using Sheets

One sheet of unused paper of at least A4/Letter size

Follow the procedure below to adjust.

#### 1. Load paper.

- ➔ [Loading Rolls in the Printer](#)
- ➔ [Loading Sheets in the Printer](#)



#### 2. Tap **(Setup)** on HOME screen.

- ➔ [Home Screen Menu Composition](#)

#### 3. Tap **Maintenance**.

#### 4. Tap **Paper feed adjustment**.

#### 5. Tap **Adjust print quality**.

**6.** Tap **Auto**.

**7.** Tap paper to adjust.

A test pattern is printed for adjustment and adjustment is finished.

# Manual Banding Adjustment

If printed images are affected by banding in different colors, execute **Adjust print quality** for adjustment of the paper feed amount.

Use manual adjustment with highly transparent media.

Manual adjustment requires you to enter an adjustment value after a test pattern is printed.

## ▶▶▶ Note

- We recommend executing the adjustment if you have changed the paper type or paper size.
- Always check the **Set priority** values.
  - ➔ [Selecting Feed Amount Adjustment Method](#)
- If additional fine-tuning is necessary, execute **Paper feed fine adjustment**.
  - ➔ [Fine-Tuning Paper Feed Amount](#)
- Use **Adjust feed length** to ensure that lines in CAD drawings are printed at exactly the right length.
  - ➔ [Adjusting Line Length](#)

## Items to Prepare

### When Using Rolls

An unused roll at least 254.0 mm (10.00 in.) wide

### When Using Sheets

Two sheets of unused paper of at least A4/Letter size

Follow the procedure below to adjust.

#### 1. Load paper.

- ➔ [Loading Rolls in the Printer](#)
- ➔ [Loading Sheets in the Printer](#)

## ▶▶▶ Important

- Always make sure the loaded paper matches the type of paper specified. Adjustment cannot be completed correctly unless the loaded paper matches the settings.

2. Tap  (**Setup**) on HOME screen.

- ➔ [Home Screen Menu Composition](#)

3. Tap **Maintenance**.

4. Tap **Paper feed adjustment**.

5. Tap **Adjust print quality**.

6. Tap **Manual**.

**7. Tap paper to adjust.**

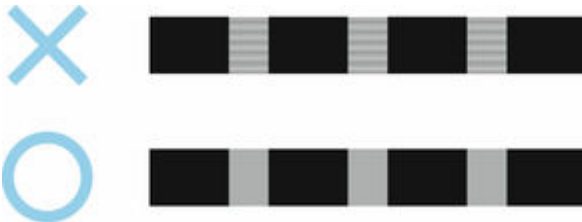
Test pattern A is printed for manual adjustment.

**▶▶▶ Note**

- When printing on sheets, follow the instructions on the screen and remove the sheet.

**8. Examine test pattern A for adjustment.**

Determine pattern in which banding is least noticeable.



**▶▶▶ Note**

- If banding seems least noticeable in two patterns but you cannot decide which one is better, choose an intermediate value. For example, choose 11 if you cannot decide whether pattern 10 or 12 is better.

**9. Tap number you decided.**

Test pattern B is printed for manual adjustment.

**▶▶▶ Note**

- If you printed test pattern A on a sheet, follow the instructions on the screen and use another sheet of the same type of paper. Additionally, after test pattern B is printed, follow the instructions on the screen and remove the sheet.

**10. Examine test pattern B for adjustment. Determine pattern in which banding is least noticeable.**

**11. Tap number you decided.**

The adjustment value is now registered, and adjustment is complete.




## Fine-Tuning Paper Feed Amount

If the contrast is uneven or banding in different colors appears at 30 mm (1.2 in) intervals in printed documents, try executing **Paper feed fine adjustment** during printing to fine-tune the feed amount.

### ▶▶▶ Note

- The **Paper feed fine adjustment** menu is only displayed during printing. Additionally, it is displayed when you have selected **Auto** or **Prioritize print quality** in **Set priority** in **Paper feed adjustment**.
- Always execute **Adjust print quality** before **Paper feed fine adjustment**. Once you execute **Adjust print quality**, the **Paper feed fine adjustment** value will revert to 0.
  - ➔ [Automatic Banding Adjustment](#)
  - ➔ [Manual Banding Adjustment](#)

Follow the procedure below to adjust.

1. Tap  (**Setup**) on HOME screen during printing .
  - ➔ [Home Screen Menu Composition](#)
2. Tap **Maintenance**.
3. Tap **Paper feed fine adjustment**.
4. Tap value.

At this time, if banding in dark colors appears, select a setting value in the range 1 to 5, and if banding in light colors appears, select a setting value in the range -1 to -5.

## Adjusting Line Length

To ensure that lines in CAD drawings are printed at exactly the right length, use **Adjust feed length** to adjust the amount that paper is advanced.

There are two options in **Adjust feed length** : **Print alignment pattern** and **Change adjustment values**.

### ▶▶▶ Note

- We recommend executing the adjustment if you have changed the paper type or paper size.
- Always check the **Set priority** values before adjustment.

➔ [Selecting Feed Amount Adjustment Method](#)

### Items to Prepare

#### When Using Rolls

- An unused roll at least 254.0 mm (10.00 in.) wide
- High-precision ruler

#### When Using Sheets

- One sheet of unused paper of at least A4/Letter size
- High-precision ruler

Follow the procedure below to adjust.

#### 1. Load paper.

- ➔ [Loading Rolls in the Printer](#)
- ➔ [Loading Sheets in the Printer](#)

### ▶▶▶ Important

- Always make sure the loaded paper matches the type of paper specified.  
Adjustment cannot be completed correctly unless the loaded paper matches the settings.



#### 2. Tap **Setup** on HOME screen.

- ➔ [Home Screen Menu Composition](#)

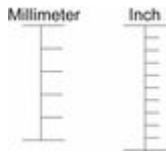
#### 3. Tap **Maintenance**.

#### 4. Tap **Paper feed adjustment**.

#### 5. Tap **Adjust feed length**.

#### 6. Tap **Print alignment pattern** or **Change adjustment values**.

- If you tap **Print alignment pattern**:  
The test pattern is printed for you to measure the scale and calculate the discrepancy.  
The scale bar prints "Millimeter" in 50 mm increments and "Inch" in 1-inch increments.



- If you tap **Change adjustment values:**

No test pattern is printed.

Instead, you will measure a document already printed to determine the discrepancy.

## 7. Tap amount of discrepancy.

If the scale is shorter than the actual size, use a positive setting value. If it is longer, use a negative value. The feed amount can be adjusted in 0.02% increments.

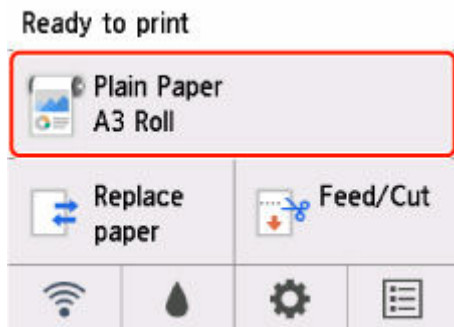
## Adjusting Vacuum Strength

When printing on heavyweight paper or paper that curls or wrinkles easily, if the Print head rubs against paper, adjusting the level of suction against paper on the platen may improve results.

### ▶▶ Important

- Paper rubbing against or becoming caught on the Print head may jam or result in printed documents that are soiled.

1. On the HOME screen, tap paper information area.



2. Tap **Paper settings**.
3. Tap **Advanced**.
4. Tap **Transport unit vacuum strength**.
5. Tap vacuum strength.

## Maintenance and Consumables

---

### ► Ink Tanks

- Ink Tanks
- Replacing Ink Tanks
- Checking Ink Tank Levels
- When to Replace Ink Tanks

### ► Print Head

- Print Head
- Checking for Nozzle Clogging
- Cleaning the Print Head
- Replacing the Print Head

### ► Maintenance Cartridge

- Maintenance Cartridge
- Replacing the Maintenance Cartridge
- Checking the Remaining Maintenance Cartridge Capacity
- When to Replace the Maintenance Cartridge

### ► Cutter Blade

- Cutter Blade
- Replacing the Cutter Blade

### ► Performing Maintenance Functions from Your Computer (Windows)

- Cleaning the Print Heads
- Printing a Nozzle Check Pattern

### ► Performing Maintenance Functions from Your Computer (macOS)

- Opening Remote UI for Maintenance
- Cleaning the Print Heads
- Printing a Nozzle Check Pattern

### ► Cleaning the Printer

- Cleaning the Printer Exterior
- Cleaning Inside the Top Cover
- Cleaning the Print Head

➤ **Other Maintenance**

- Preparing to Transfer the Printer
- Reinstalling the Printer
- Firmware update

## **Ink Tanks**

---

- **Ink Tanks**
- **Replacing Ink Tanks**
- **Checking Ink Tank Levels**
- **When to Replace Ink Tanks**

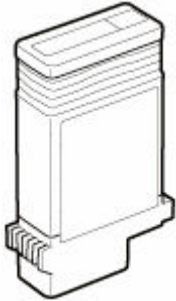
## Ink Tanks

---

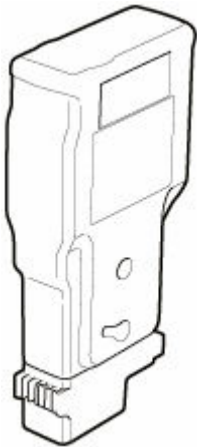
The printer supports the following ink tanks.

When purchasing, check the Model number.

- 130 ml (4.4 fl oz)



- 300 ml (10.1 fl oz)



## Checking Ink Model Number

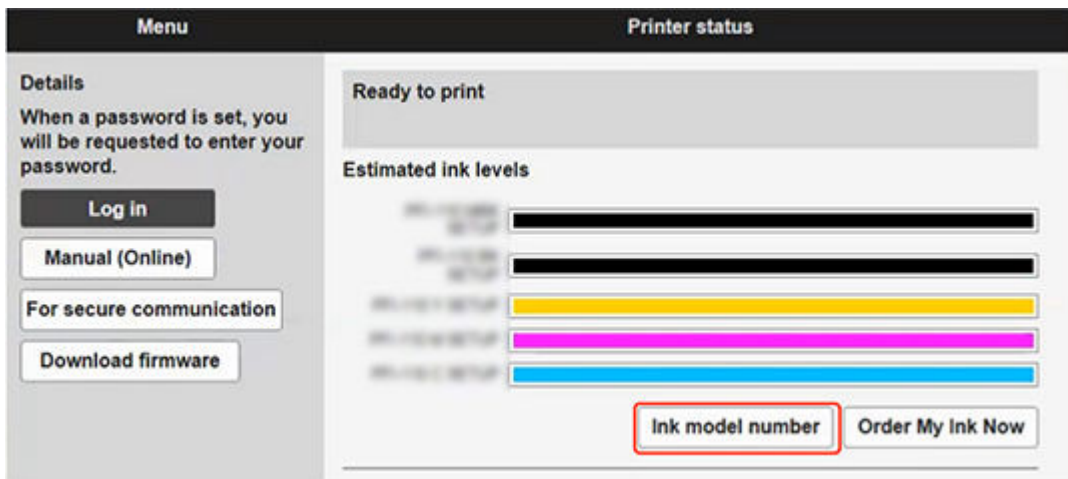
### Checking Using Web Browser

1. Start up Remote UI.

➔ [Start up Remote UI](#)

2. Select Ink model number.

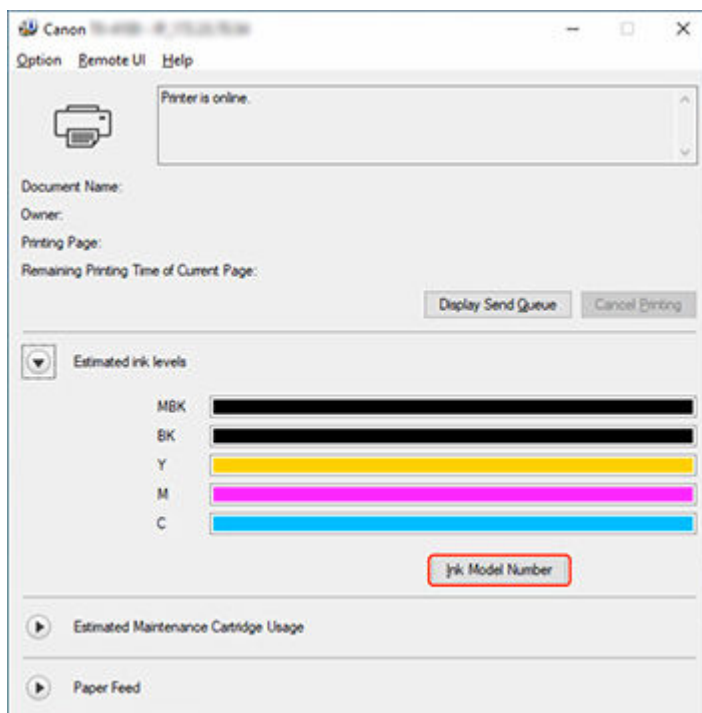




The type and number of inks displayed will vary depending on the printer you are using.

### Checking Using Canon IJ Status Monitor ( Windows )

1. Start up Canon IJ Status Monitor.
  - ➔ Canon IJ Status Monitor
2. Click **Estimated ink levels**.
3. Click **Ink Model Number** information.



The type and number of inks displayed will vary depending on the printer you are using.

**»» Note**

- For instructions on replacing the ink tanks, see [Replacing Ink Tanks](#).

# Replacing Ink Tanks

## Compatible Ink Tanks

For details on compatible ink tanks, see [Ink Tanks](#).

You can replace ink tanks in 4.4 fl oz (130 ml) and 10.1 fl oz (300 ml).

### ▶▶▶ Note

- Depending on the color, you can also use an ink tank with a different capacity.

## Precautions When Handling Ink Tanks

Take the following precautions when handling ink tanks.

### ⚠ Caution

- For safety, keep ink tanks out of the reach of children.
- If ink is accidentally ingested, contact a physician immediately.

### ▶▶▶ Important

- There may be ink around the ink holes of an ink tank you removed. Handle the ink tanks carefully during replacement. The ink may stain clothing.
- Do not install ink tanks used in this printer in another printer. This will prevent correct ink level detection, which may damage the printer or cause other problems.
- We recommend using up an ink tank in the course of printing within six months after breaking the seal. Printing quality may be affected if you use older ink tanks.
- Do not leave the printer without ink tanks installed for extended periods (a month or more). Residual ink may become clogged inside the printer and affect printing quality.

## How to Replace an Ink Tank

If a message indicates you should replace an ink tank, check the message details and go to step 2.

1. [Selecting Ink Tank Replacement from Menu](#)
2. Removing Ink Tanks
  - ➔ [Removing ink tank](#)
3. Loading New Ink Tanks
  - ➔ [Loading ink tank](#)


### ▶▶▶ Important

- Do not remove an ink tank during initialization immediately after turning on the printer, or during print head cleaning. Ink may leak out.

### ▶▶▶ Note

- Ink tank replacement is possible even during printing, when print jobs are being canceled, or when paper is being advanced.

## Selecting Ink Tank Replacement from Menu

1. Tap  (Ink information) on HOME screen.

➔ [Home Screen Menu Composition](#)

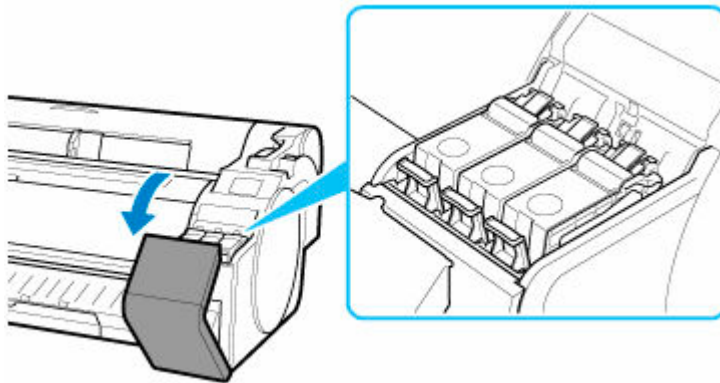
The **Current estimated ink levels** screen appears.

2. Tap **Replace**.

Instructions for the ink tank replacement procedure appear on the touch screen.

## Removing ink tank

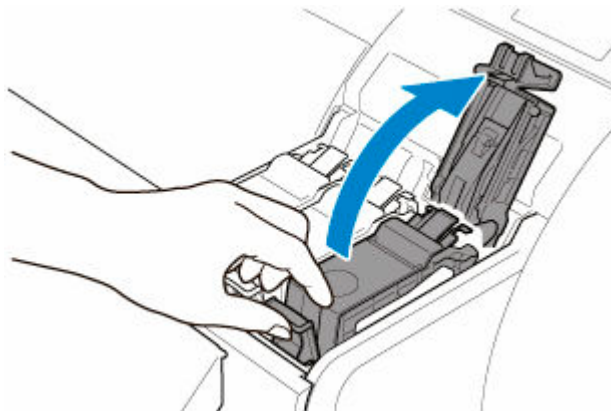
1. Open ink tank cover.



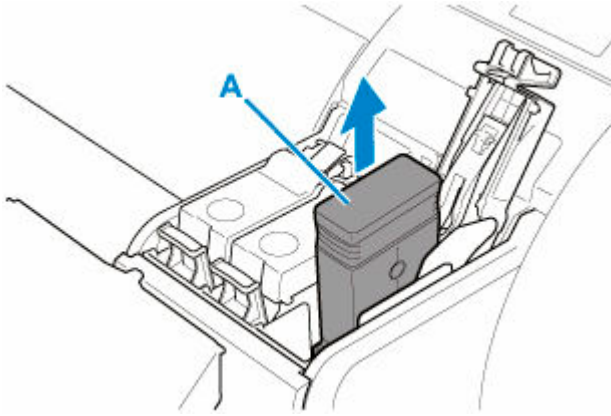
### Important

- Avoid jarring the printer a lot when replacing an ink tank. Handle the printer gently when replacing tanks. Jarring the printer during printing may affect printing quality.

2. Press tip of ink tank lock lever of color for replacement horizontally and pull ink tank lock lever up to open it.

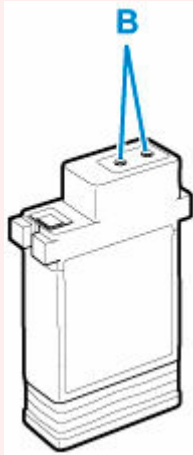


3. Remove ink tank by grips (A), and then tap **OK**.



### ►► Important

- Do not turn off the printer, except for transportation, while the ink tank is removed. It may cause the interior of the ink tank cover to become soiled.
- Store the removed ink tank with ink remaining with the ink holes (B) facing up. Otherwise, ink may leak and cause stains. Put the removed ink tank in a plastic bag and close the bag.

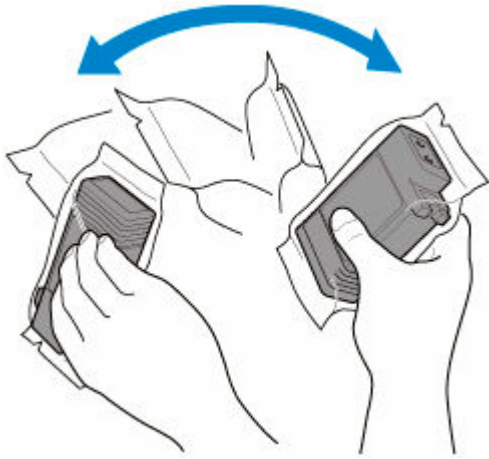


### ►► Note

- Dispose of the used ink tank in accordance with local regulations.

## Loading ink tank

1. Before opening the pouch, tilt the ink tank to the left and right gently one or two times.  
Agitate the ink in the ink tank by slowly rotating the ink tank upside-down and right side up repeatedly.



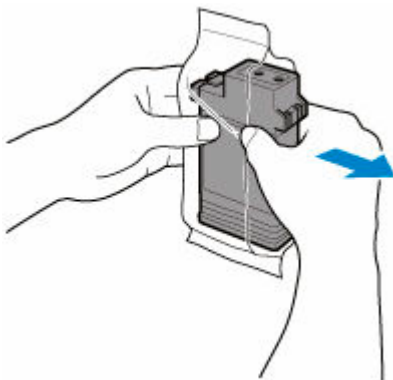
### ►► Important

- Do not remove and agitate an ink tank that has already been installed in the printer. Ink may leak out.
- Failure to agitate the ink tank may cause the ink components to precipitate and may affect printing quality.

### ►► Note

- If the ink tank is at a low temperature, allow it to warm up to room temperature before installing.

## 2. Open the pouch and remove the ink tank.



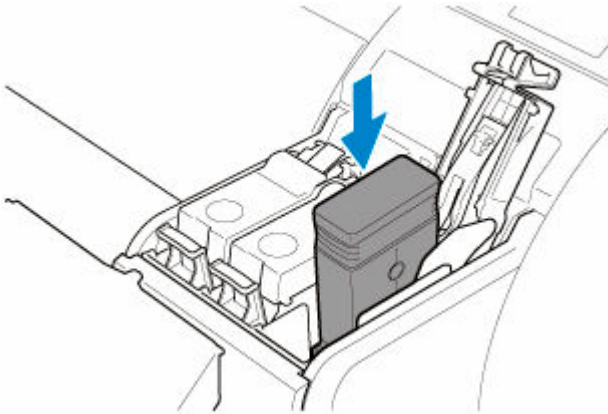
### ►► Important

- Never touch the ink holes (B) or the metal contacts (C). This may cause stains, damage the ink tank, and affect printing quality.



- Avoid dropping the ink tank after removing it from the pouch. Otherwise, ink may leak and cause stains.

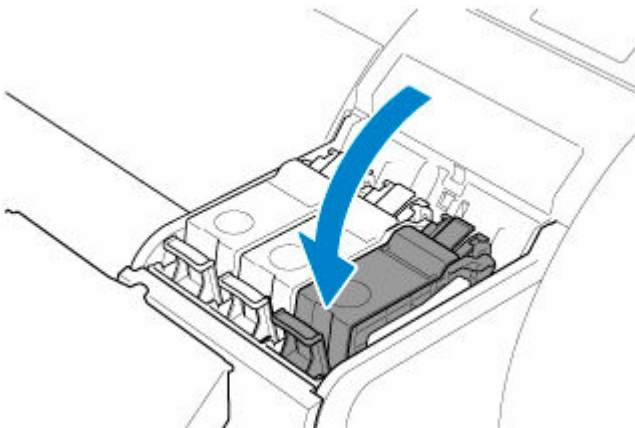
3. Tap **OK** and insert ink tank into holder with ink holes down and metal contacts in front.



**»» Important**

- An ink tank cannot be loaded in the holder if the color or orientation is incorrect.  
If the ink tank does not fit in the holder, do not force it into the holder. Reinstall while checking the label color display, ink tank color, and ink tank orientation.

4. Push the ink tank lock lever closed until it clicks into place.

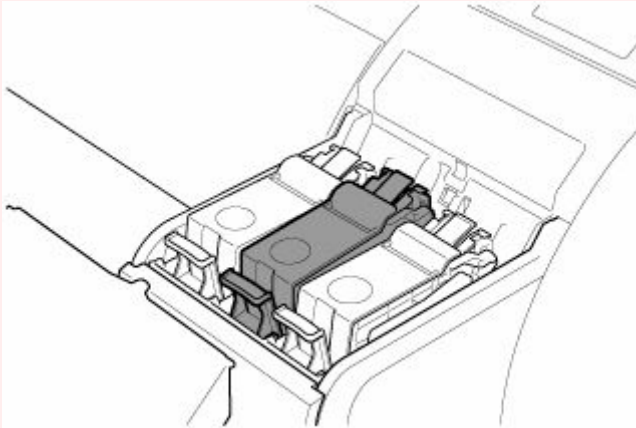


## »» Important

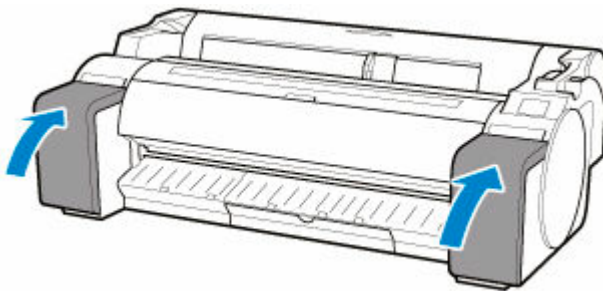
- Do not push the ink tank in by hand. Forcing the ink tank into the holder may damage the printer.



- If a 4.4 fl oz (130 ml) ink tank is installed facing the wrong direction, the rotating part of the ink tank lock lever come out of place. If this happens, open the ink tank lock lever to return it to the proper position.



5. Close ink tank cover.





## Checking Ink Tank Levels

On the touch screen, you can check how much ink is left in the ink tank.



1. Tap  (Ink information) on HOME screen.

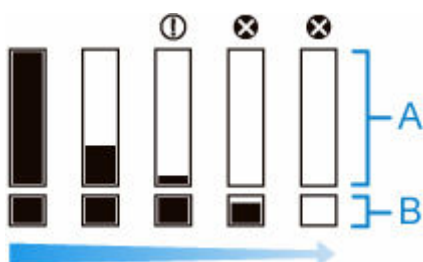
➔ [Home Screen Menu Composition](#)

The **Current estimated ink levels** screen appears.



This printer has ink tanks (A) and sub-ink tanks (B). Even if ink runs out, printing can continue with ink in the sub-ink tanks.

When the remaining ink is low,  will appear on the remaining ink level. When ink runs out,  will appear. See the figure below.




If the touch screen indicates to replace the ink tank, replace the ink tank. If a message is displayed indicating to check the remaining ink levels, or after tasks that consume a lot of ink such as large-format printing or head cleaning, check the remaining levels and replace ink tank as needed.

➔ [Replacing Ink Tanks](#)

### ▶▶▶ Note

- Tap **Order ink now** to view the ink supplier information.
- When the ink tank is replaced, the sub-ink tank will be filled with ink.

During this time,  is displayed above the ink level.



## When to Replace Ink Tanks

---

Replace or prepare to replace ink tanks in the following situations.

- **If ink confirmation message appears on touch screen**

If ink is low, the **Status** lamp lights orange and a notification message will appear on the touch screen. You can continue to print, but prepare the ink tanks.

➔ [Checking Ink Tank Levels](#)

- **Before print jobs and maintenance that consume a lot of ink**

If little ink is left, there may not be enough for large-format printing, head cleaning, and maintenance, which require a lot of ink. Replace or prepare to replace the ink tanks in the following situations.

➔ [Checking Ink Tank Levels](#)

- **If message for ink replacement appears on touch screen**

When the ink runs out, the **Status** lamp flashes orange, a message regarding ink tanks replacement appears on the touch screen, and printing is disabled. Replace the ink tank.

➔ [Replacing Ink Tanks](#)

## **Print Head**

---

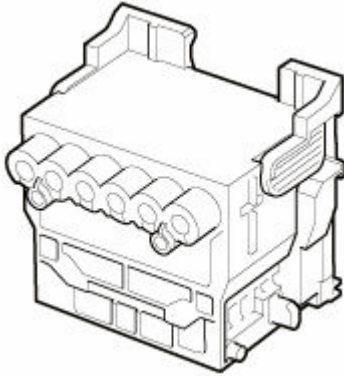
- **Print Head**
- **Checking for Nozzle Clogging**
- **Cleaning the Print Head**
- **Replacing the Print Head**

## Print Head

---

When purchasing, check the Model number.

**Model number: PF-07**



### ▶▶▶ Note

- For instructions on replacing the print head, see [Replacing the Print Head](#).

## Checking for Nozzle Clogging

If printing is faint or affected by banding in different colors, make sure the print head nozzles are clear by printing a test pattern to check the nozzles.

### ►► Important

- When using cut sheets, do not move the release lever until instructions (guidance) for removing the paper are displayed.

Moving the release lever during printing or maintenance operations will cause the printer to stop.

### ►► Note

- By default, nozzles are checked at fixed intervals.

➔ [Auto maintenance settings](#)

### Paper to Prepare

#### When using rolls

An unused roll at least 10.00 in. (254.0 mm) wide

#### When using sheets

1 sheet of unused paper of at least A4/Letter size

#### 1. Load paper.

- ➔ [Loading Rolls in the Printer](#)
- ➔ [Loading Sheets in the Printer](#)

#### 2. Tap (Setup) > Maintenance on HOME screen.

- ➔ [Home Screen Menu Composition](#)

The **Maintenance** screen appears.

#### 3. Tap **Nozzle Check**.

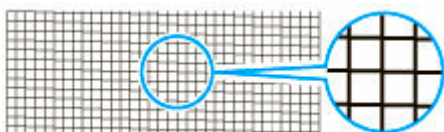
A confirmation message appears.

#### 4. Tap **Yes**.

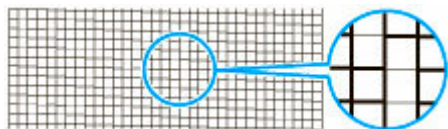
The printer now prints a test pattern for checking the nozzles.

#### 5. Check the printing results.

If the horizontal lines are not faint or incomplete, the nozzles are clear.



If some sections of the horizontal lines are faint or incomplete, the nozzles for those colors are clogged.



If horizontal lines are faint or incomplete, execute print head cleaning.

➡ [Cleaning the Print Head](#)

## Cleaning the Print Head

If printing is faint, cleaning the print head may improve results.

Choose one of three print head cleaning modes (**Cleaning**, **Deep Cleaning**, or **System Cleaning**), depending on the problem to resolve.

- **Cleaning**

Use this mode if printing is faint or contains foreign substances. This method of cleaning consumes the least amount of ink.

It takes about 2 to 3 minutes.

- **Deep Cleaning**

Use this mode if no ink is ejected at all or if **Cleaning** does not solve the problem.

It takes about 3 minutes.

- **System Cleaning**

Use this mode if printing is not improved after **Deep Cleaning**. **System Cleaning** consumes a very large amount of ink. Performing this frequently consumes the ink faster. Perform this only when needed.

It takes about 4 minutes.

### ▶▶▶ Important

- Do not remove the maintenance cartridge or ink tanks during **Cleaning**, **Deep Cleaning**, or **System Cleaning**.

Ink may leak or an error may occur.

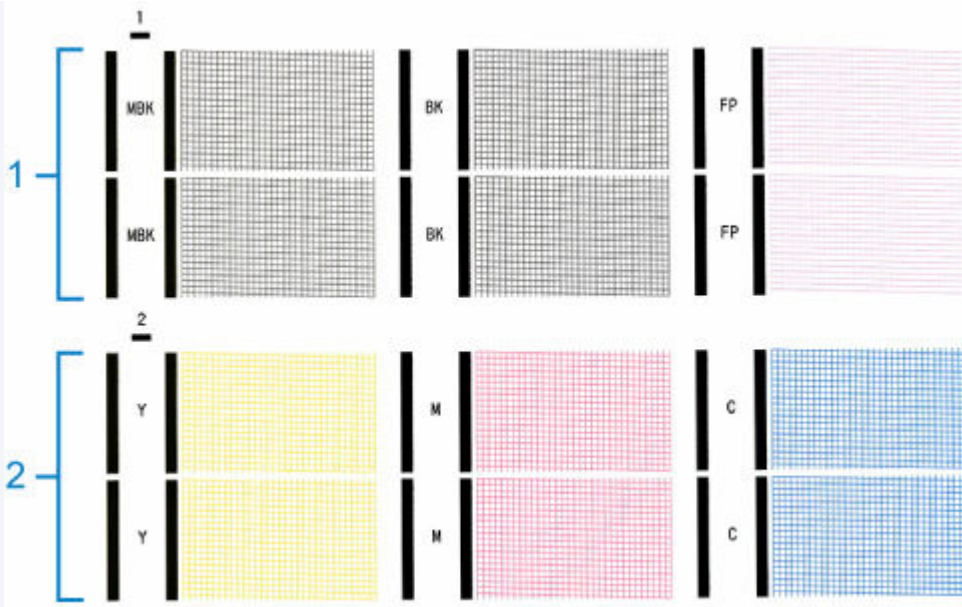
- If printing is not improved after **System Cleaning**, the print head may be at the end of its service life. Contact your Canon dealer for assistance.
- When using cut sheets, do not move the release lever until instructions (guidance) for removing the paper are displayed.

Moving the release lever during printing or maintenance operations will cause the printer to stop.

### ▶▶▶ Note

- Check the nozzle check pattern and select an ink group for which to perform cleaning as needed. You can clean all print head or select the pattern below to clean the print head with a clogged nozzle.





- By default, nozzles are checked at fixed intervals.

➔ [Auto maintenance settings](#)

Perform cleaning as follows.



1. Tap **(Setup) > Maintenance** on HOME screen.

➔ [Home Screen Menu Composition](#)

The **Maintenance** screen appears.

2. Tap **Print Head Cleaning**.
3. Tap **Cleaning, Deep Cleaning, or System Cleaning**.
4. Tap ink group to be cleaned.

- **All colors**
- **Pattern 1:** MBK / BK / FP
- **Pattern 2:** Y / M / C

A confirmation message appears.

5. Tap **Yes**.

Head cleaning is now executed.

6. Print a test pattern to check the nozzles and determine whether cleaning has cleared the nozzles.

➔ [Checking for Nozzle Clogging](#)

## Replacing the Print Head

If the touch screen indicates to replace the print head or if instructed to do so by your Canon dealer, replace the print head.

### Compatible Print Head

For details on compatible print head, see [Print Head](#).

### Precautions When Handling Print Head

Take the following precautions when handling the print head.

#### Caution

- For safety, keep print head out of the reach of children.
- If ink is accidentally ingested, contact a physician immediately.
- Do not touch the print head immediately after printing. The print head becomes extremely hot, and there is a risk of burns.

#### Important

- There may be ink around the nozzles of the print head you remove. Handle the print head carefully during replacement. The ink may stain clothing.
- Do not open the print head pouch until immediately before installation. After removing the print head from the pouch, install it right away. If the print head is left as is after the pouch is opened, the nozzles may dry out, which may affect printing quality.

### How to Replace Print Head

#### Caution

- When replacing the print head immediately after printing, wait a few minutes before replacing it. The metal parts of the print head become hot during printing, and there is a risk of burns from touching these parts.

#### Important

- Your hands may become dirty during print head replacement. Use the gloves provided in the box with the new print head for replacement.

#### Note

- Prepare a new ink tank when ink levels are low.
- Prepare a new maintenance cartridge when the remaining capacity of the maintenance cartridge is low.

1. Tap  (Setup) > Maintenance on HOME screen.

➔ [Home Screen Menu Composition](#)

The **Maintenance** screen appears.

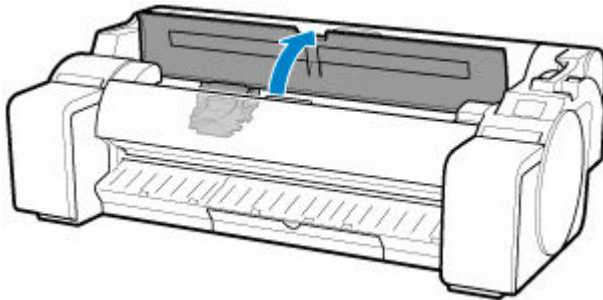
**2. Tap Head Replacement.**

**3. Tap Start head replacement.**

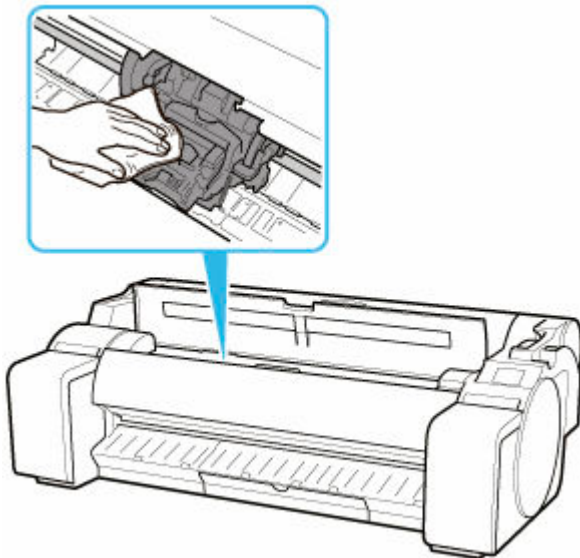
Ink begins being drawn in. When it finishes, instructions for the print head replacement procedure appear on the touch screen.

It takes about 1 to 2 minutes for ink to be drawn into the system and remove ink from the print head.

**4. Open top cover.**

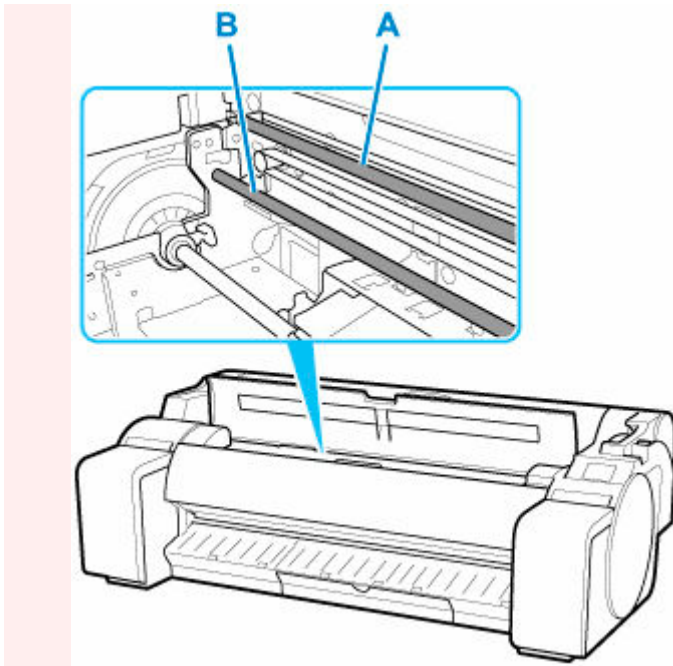


**5. If the print head locking cover and print head lock lever are dirty, use a damp cloth that you have wrung out completely to wipe them clean.**



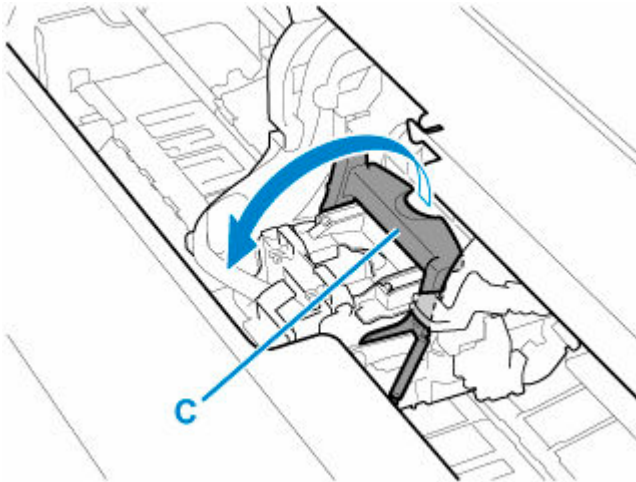
**Important**

- Do not touch the linear scale (A) or carriage shaft (B). Touching these may cause malfunction.

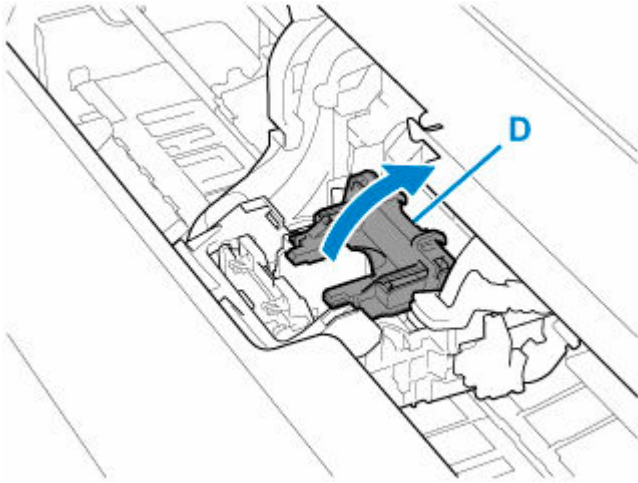


- Do not use tissue paper, paper towels, rough-textured cloth, or similar materials for cleaning so as not to scratch the surface.

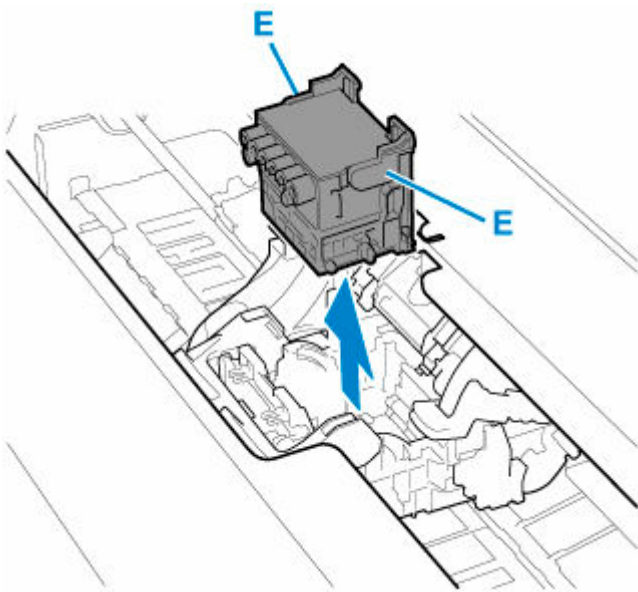
6. Pull down print head lock lever toward the front while holding its center (C) with your fingertip.



7. Grab grip (D) and open print head locking cover.



8. Grab grips (E), remove print head, and then tap **OK**.



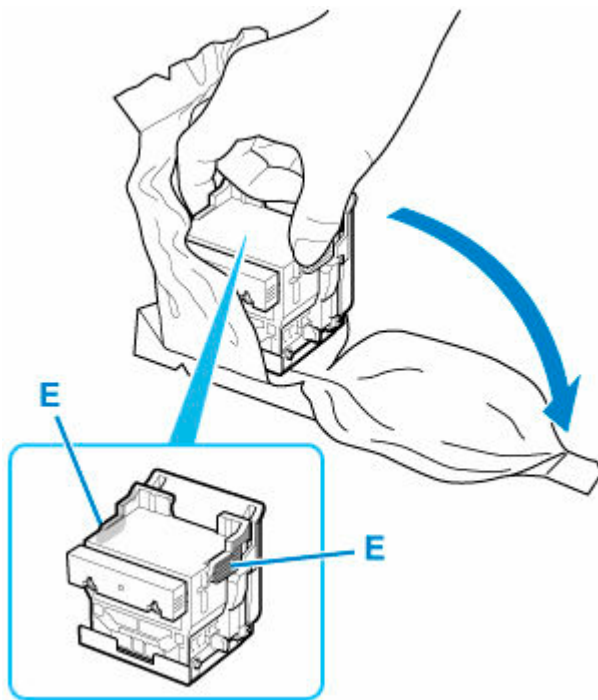
**Important**

- Never touch the metal contacts of the carriage. Furthermore, do not allow any dirt or debris to become adhered to the metal contacts of the carriage. These may damage the printer.

**Note**

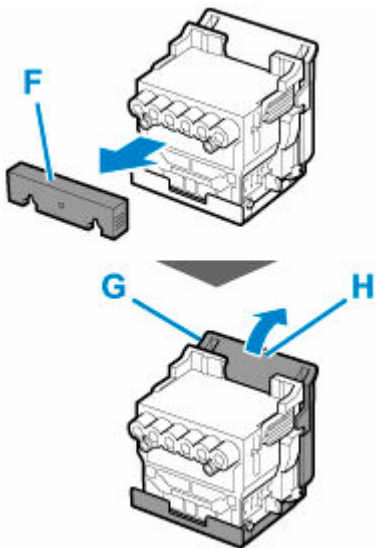
- Dispose of the used print head in accordance with local regulations.

9. Take new print head out of its pouch by grabbing grips (E).



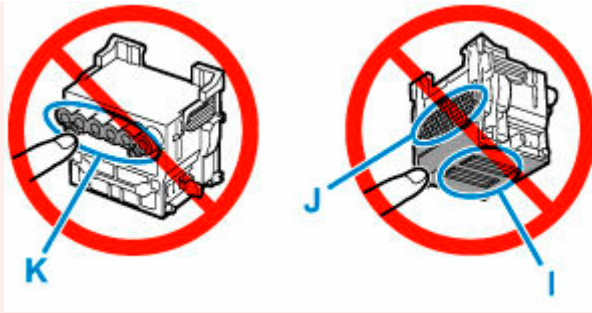
10. Remove orange protective caps (F, G).

Grab grip (H) to remove protective cap (G).



### ►► Important

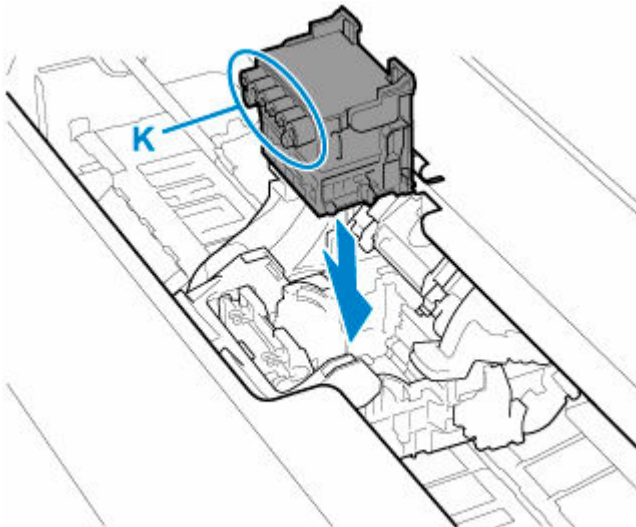
- Always carry the print head by holding its right and left grips. Never touch nozzle (I) or metal contacts (J). This may damage the print head and affect printing quality.
- Never touch the ink holes (K). This may affect printing quality.



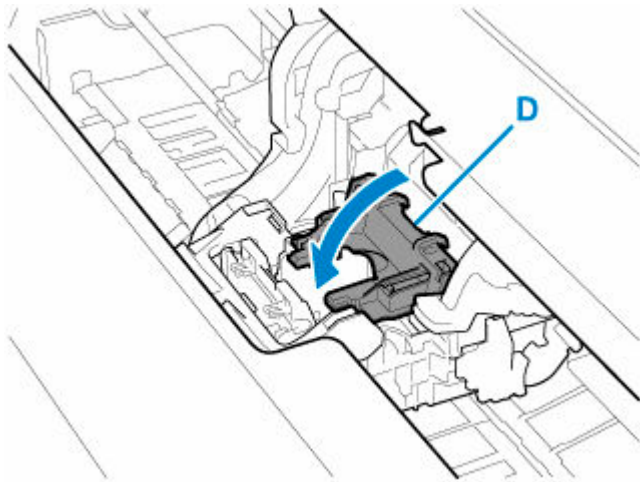
- The inside surface of the protective cap is coated with ink to protect the nozzle. Be careful not to touch these surfaces when removing the caps.
- The print head contains ink to protect the nozzle. We recommend removing the protective cap while holding it over the pouch that contained the print head or otherwise safely out of the way to avoid spilling ink and staining your clothes or the surrounding area. If ink accidentally spills, wipe off the ink with a dry cloth.
- If you need to put a print head somewhere temporarily before installation, do not set it down with the nozzles and metal contacts facing down. If the nozzles or metal contacts are damaged, it may affect the printing quality.
- Do not reattach the removed protective part. Dispose of these materials in accordance with local regulations.

**11.** Turn ink holes (K) toward the front and insert print head into carriage.

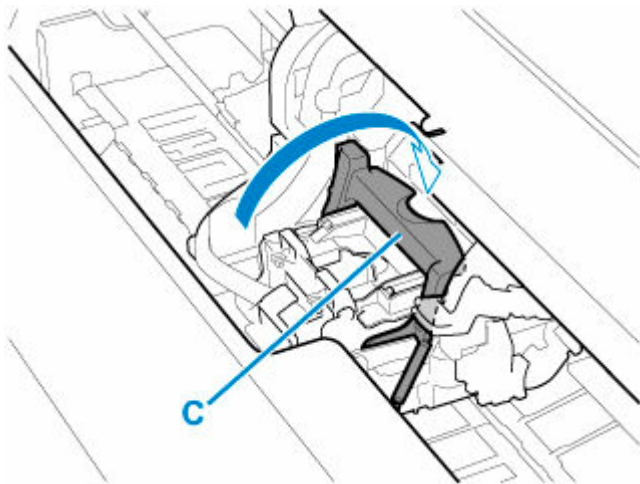
Insert the print head all the way into the carriage, while taking care to keep parts that were protected by the protective caps from touching the carriage.



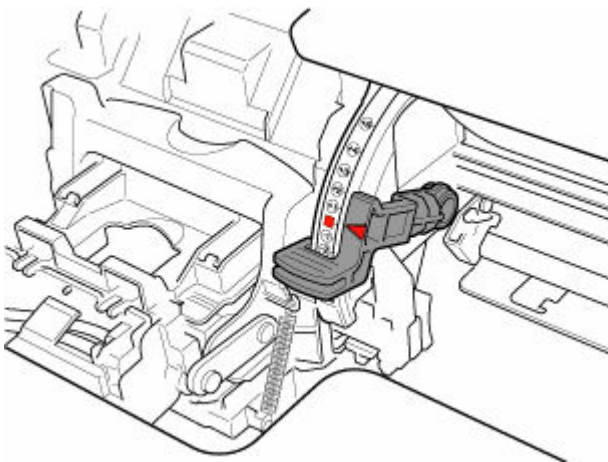
**12.** Grasp tab (D) of print head locking cover and lower it to front to lock print head.



**13.** While holding center part (C) of print head lock lever, lower it toward back.

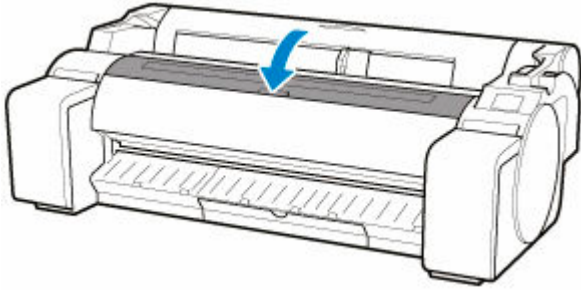


**14.** Align angle adjustment lever with the red square position.



**15.** Close top cover.





Ink now fills the print head. It takes about 10 minutes.

### ▶▶▶ Important

- While ink is being filled, definitely do not remove the ink tank or maintenance cartridge. Ink may leak out.

### ▶▶▶ Note

- Print head position adjustment is executed when **Print pattern after new head** is set to **ON**.  
Follow the instructions on the touch screen to load paper.  
➔ [Auto maintenance settings](#)

## **Maintenance Cartridge**

---

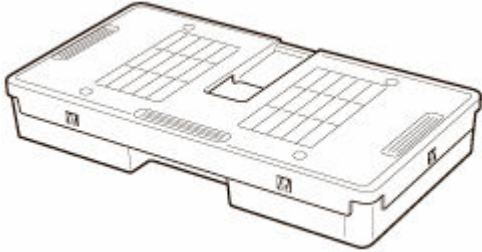
- **Maintenance Cartridge**
- **Replacing the Maintenance Cartridge**
- **Checking the Remaining Maintenance Cartridge Capacity**
- **When to Replace the Maintenance Cartridge**

## Maintenance Cartridge

---

When purchasing, check the Model number.

**Model number: MC-31**



### ▶▶ Note

- For instructions on replacing the maintenance cartridge, see [Replacing the Maintenance Cartridge](#).

# Replacing the Maintenance Cartridge

## Compatible Maintenance Cartridges

For details on compatible maintenance cartridge, see [Maintenance Cartridge](#).

## Precautions When Handling Maintenance Cartridge

Take the following precautions when handling the maintenance cartridge.

### Caution

- For safety, keep maintenance cartridge out of the reach of children.
- If ink is accidentally ingested, contact a physician immediately.

### Important

- Do not remove the maintenance cartridge except to replace it. Ink may leak out.
- Do not remove a maintenance cartridge during initialization immediately after turning on the printer, during print head cleaning, while ink is being drawn out, or during initialization immediately after replacing the maintenance cartridge.

The maintenance cartridge may become damaged or ink may leak out.

- To prevent ink from leaking from a used maintenance cartridge, avoid dropping the cartridge or storing it at an angle. Otherwise, ink may leak and cause stains.
- Ink adheres to the top of the maintenance cartridge after it has been used. Handle the maintenance cartridge carefully during replacement. The ink may stain clothing.

## How to Replace a Maintenance Cartridge

If a message indicates you should replace a maintenance cartridge, check the message details and go to step 4.

1. Tap  (**Setup**) > **Maintenance** on HOME screen.

➔ [Home Screen Menu Composition](#)

The **Maintenance** screen appears.

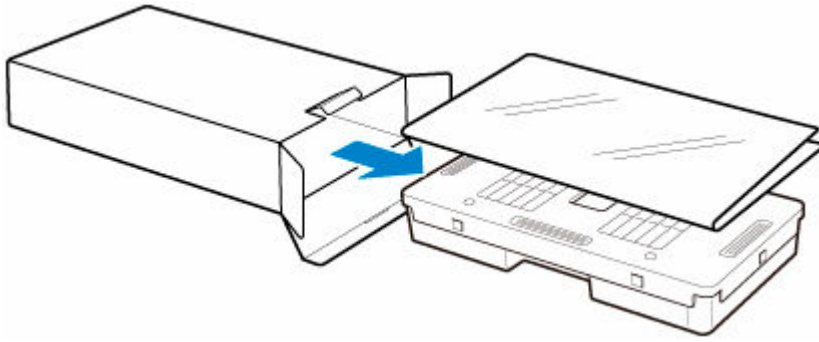
2. Tap **Maintenance cartridge info**.

The **Maintenance cartridge info** screen appears.

3. Tap **Replace**.

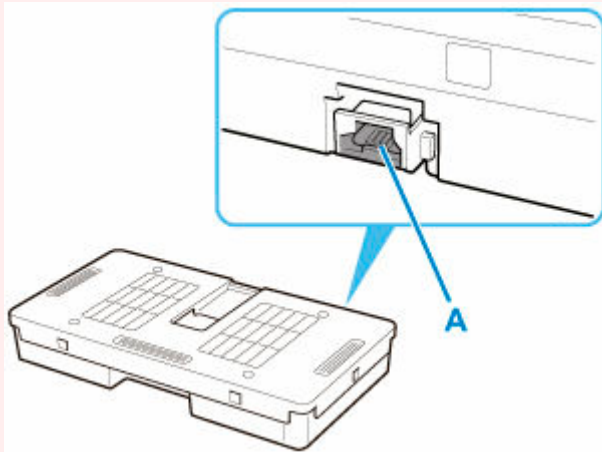
Instructions for the maintenance cartridge replacement procedure appear on the touch screen.

4. Open box, and remove plastic bag and maintenance cartridge.

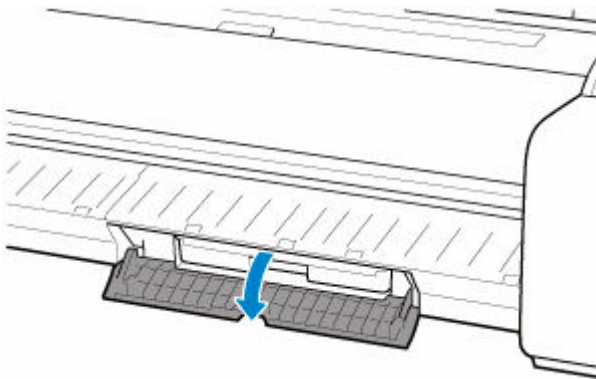


**▶▶▶ Important**

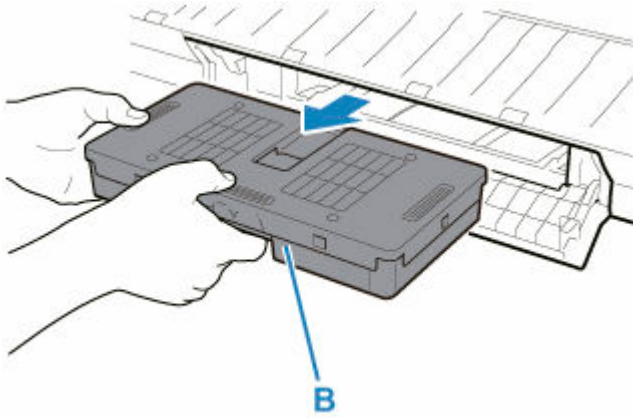
- Never touch the metal contacts (A). This may damage the maintenance cartridge.



- 5.** Open maintenance cartridge cover.



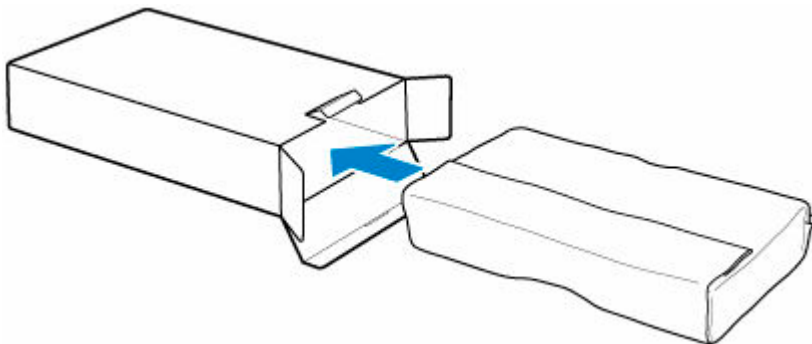
- 6.** Hold the used maintenance cartridge by the grip (B) with one hand and put your other hand under the maintenance cartridge to hold it firmly on the bottom, keeping it level as you pull it out.



### »» Important

- A used maintenance cartridge is heavy. Always grasp the cartridge firmly and keep the cartridge level during removal. If you drop a used maintenance cartridge or store it at an angle, ink may leak and cause stains.

7. Put used maintenance cartridge in supplied plastic bag and store on flat surface.
8. Check the top and bottom of the maintenance cartridge, place in the box, and store the box on a flat surface.



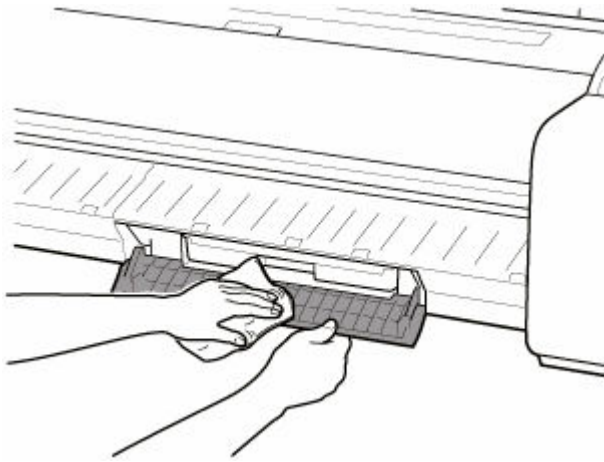
### »» Important

- Always put the used maintenance cartridge back in the box and store the box on a flat surface.

### »» Note

- Dispose of the used maintenance cartridge in accordance with local regulations.

9. Wipe away any soiling on the maintenance cartridge cover.

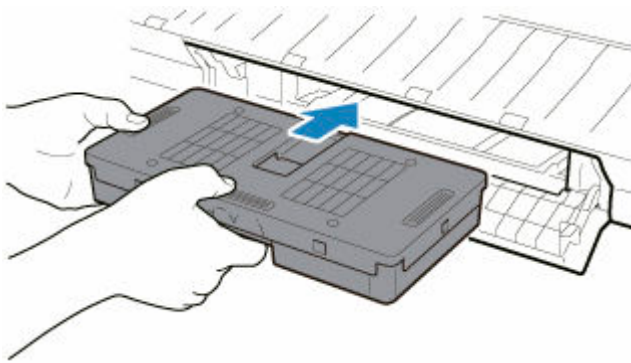


**»» Important**

- Support the maintenance cartridge cover from underneath as you wipe it.

**10. Keeping the new maintenance cartridge level, insert it all the way in.**

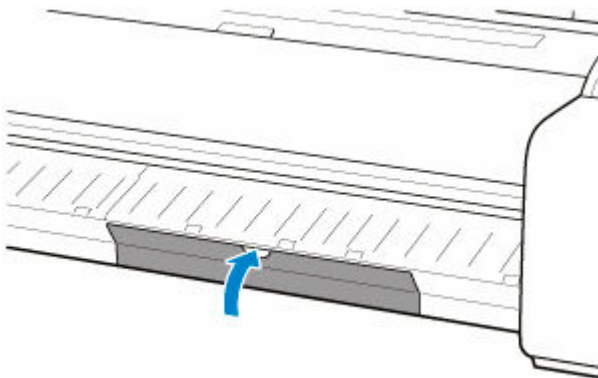
The maintenance cartridge is initialized.



**»» Important**

- Do not remove the maintenance cartridge during initialization immediately after replacing the maintenance cartridge. The maintenance cartridge may become damaged.

**11. Close maintenance cartridge cover.**



## Checking the Remaining Maintenance Cartridge Capacity

The maintenance cartridge absorbs excess ink from borderless printing and print head cleaning. You can confirm the remaining capacity of the maintenance cartridge by checking the touch screen.

1. Tap  (**Setup**) > **Maintenance** on HOME screen.

➔ [Home Screen Menu Composition](#)

The **Maintenance** screen appears.

2. Tap **Maintenance cartridge info**.

The **Maintenance cartridge info** screen appears.



If the touch screen indicates to replace the maintenance cartridge, replace the maintenance cartridge.

If a message appears indicating to check the remaining capacity of the maintenance cartridge, or before tasks that deplete much of the capacity such as head cleaning or preparations to move the printer, check the remaining maintenance cartridge capacity and prepare a new maintenance cartridge as needed.

➔ [Replacing the Maintenance Cartridge](#)



## When to Replace the Maintenance Cartridge

---

Replace or prepare to replace the maintenance cartridge in the following situations.

- **If maintenance cartridge confirmation message appears on touch screen**

When the maintenance cartridge is almost used up, the **Status** lamp lights orange and a notification message will appear on the touch screen. You can continue to print, but check the remaining maintenance cartridge capacity and prepare to replace the maintenance cartridge with a new one.

➔ [Checking the Remaining Maintenance Cartridge Capacity](#)

- **When the maintenance cartridge capacity is drastically depleted**

Print head cleaning, print head replacement, and preparations to transfer the printer deplete much of the maintenance cartridge capacity. (In particular, preparing to move the printer depletes a lot of the capacity.)

Check the remaining maintenance cartridge capacity before this maintenance and replace the maintenance cartridge if necessary.

➔ [Checking the Remaining Maintenance Cartridge Capacity](#)

- **If message for maintenance cartridge replacement appears on touch screen**

When the maintenance cartridge is used up, the **Status** lamp blinks orange, a message regarding maintenance cartridge replacement appears on the touch screen, and printing is disabled. Replace the maintenance cartridge with a new one.

➔ [Replacing the Maintenance Cartridge](#)

## Cutter Blade

---

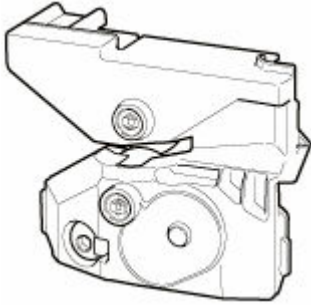
- **Cutter Blade**
- **Replacing the Cutter Blade**

## Cutter Blade

---

When purchasing, check the Model number.

**Model number: CT-08**



### ▶▶ Note

- For instructions on replacing the cutter blade, see [Replacing the Cutter Blade](#).

# Replacing the Cutter Blade

## Compatible Cutter Blade

For details on compatible cutter blade, see [Cutter Blade](#).

## How to Replace Cutter Blade

### ▶▶▶ Important

- The cutter blade can not be replaced if there is paper in the moving range of the cutter. Remove the paper.



1. Tap  (**Setup**) > **Maintenance** on HOME screen.

➔ [Home Screen Menu Composition](#)

The **Maintenance** screen appears.

2. Tap **Replace cutter blade unit**.

A confirmation message appears.

3. Tap **Yes**.

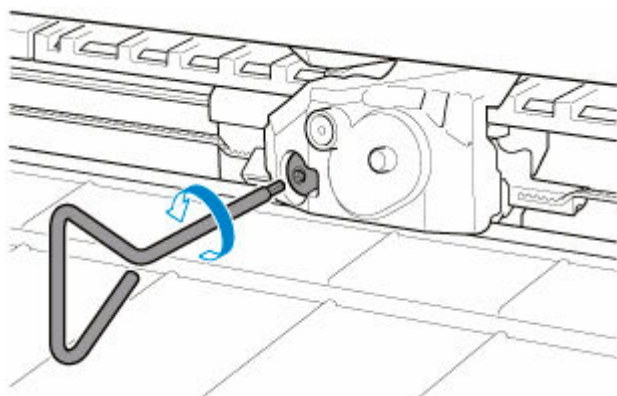
The carriage moves and after it stops moving, instructions for the cutter blade replacement procedure appear on the touch screen.

4. If cutter blade is dirty, use damp cloth that you have wrung out completely to wipe it clean.

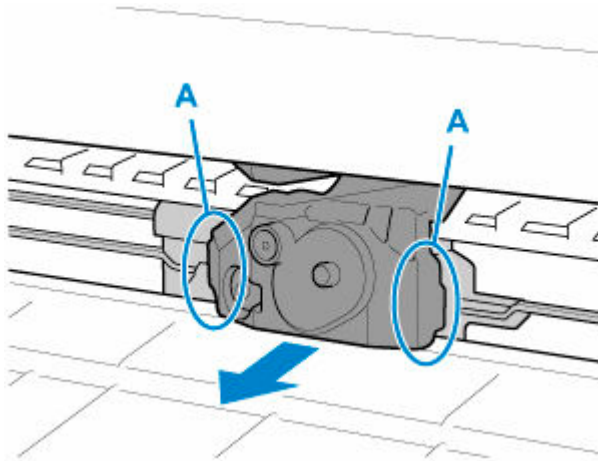
### ▶▶▶ Important

- Do not use tissue paper, paper towels, rough-textured cloth, or similar materials for cleaning so as not to scratch the surface.

5. Turn hex screw with hex wrench until loose.



6. Remove cutter blade while holding A.



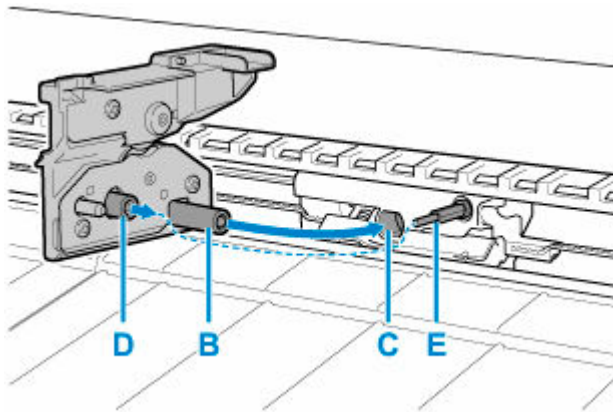
**⚠ Caution**

- Never touch any part other than A. This may stain your hands or cause injury. Additionally, this may damage the printer.
- Do not disassemble the cutter blade. Touching the blade may cause injury.

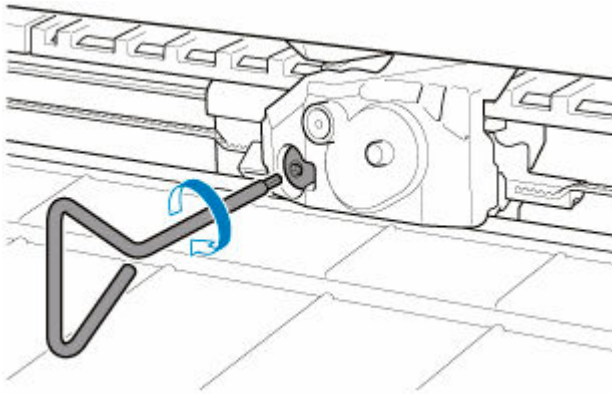
**➤➤ Note**

- Dispose of the used cutter blade in accordance with local regulations.

7. Install new cutter blade while aligning B to C and D to E.



8. Turn hex screw until securely fixed.



**»» Important**

- After the cutter blade is secured, check that the cutter blade does not come off. If the cutter blade comes off, this may damage the printer.

**9.** Tap **Done**.

**10.** Tap **Yes**.

## **Performing Maintenance Functions from Your Computer (macOS)**

---

- **Opening Remote UI for Maintenance**
- **Cleaning the Print Heads**
- **Printing a Nozzle Check Pattern**

## Opening Remote UI for Maintenance

---

You can perform maintenance of printer and change the settings from a Remote UI. The following is the procedure to open a Remote UI.

1. Open **System Preferences**, and select **Printers & Scanners**
2. Select your model from the printer list, and click **Options & Supplies...**
3. Click **Show Printer Webpage...** in **General** tab

Remote UI starts.

### ▶▶▶ Note

- The password may have to be entered after Remote UI starts. In such a case, enter the password and click **OK**. In case you do not know the password, see "Password and Cookie."

## Related Topics

- ➔ [Cleaning the Print Heads](#)
- ➔ [Printing a Nozzle Check Pattern](#)
- ➔ [Checking the Ink Status from Your Computer](#)
- ➔ [Updating Media Information in Printer Driver](#)
- ➔ [Correcting Media Information in Printer Driver \(When Printer Used in Shared Environment\)](#)
- ➔ [Confirm the Printer Paper Information](#)



## Cleaning the Print Heads

The print head cleaning and Cleaning functions allow you to clear up clogged print headnozzle. Perform print head cleaning if printing is faint or a specific color fails to print, even though there is enough ink. If you perform Cleaning and the condition still does not improve, perform system cleaning.

The procedure for cleaning is as follows:

### Cleaning

1. Select **Utilities** from [Remote UI](#)

2. Click **Cleaning**

Before running the cleaning, check the following items:

Check that the printer power is on. Then open the Ink Tank Cover.

Check the following items for each ink. Then, if necessary, perform **Cleaning**.

- [Is there ink remaining in the tank?](#)
- Is the ink tank attached properly?  
If the Ink Lamp is not lit, remove it and attach it again.
- Did you install the ink tanks in their correct positions?

3. Execute cleaning

Click **Yes**.

Print head cleaning starts.

4. Check the results

Check the print results.

If cleaning the head once does not resolve the print head problem, clean it once more.

### »» Important

- **Cleaning** consumes a small amount of ink.  
Cleaning the print head frequently will rapidly deplete your printer's ink supply. Consequently, perform cleaning only when necessary.

### Deep Cleaning

**Deep Cleaning** is more thorough than cleaning. Perform deep cleaning when two **Cleaning** attempts do not resolve the print head problem.

1. Select **Utilities** from [Remote UI](#)

2. Click **Deep Cleaning**

Before running the deep cleaning, check the following items:

Check that the printer power is on. Then open the Ink Tank Cover.

Check the following items for each ink. Then, if necessary, perform **Deep Cleaning**.

- [Is there ink remaining in the tank?](#)
- Is the ink tank attached properly?  
If the Ink Lamp is not lit, remove it and attach it again.
- Did you install the ink tanks in their correct positions?

### 3. Execute deep cleaning

Click **Yes**.

Print head deep cleaning starts.

### 4. Check the results

Check the print results.

## »» Important

- **Deep Cleaning** consumes a larger amount of ink than **Cleaning**.  
Cleaning the print head frequently will rapidly deplete your printer's ink supply. Consequently, perform cleaning only when necessary.

## System Cleaning

Execute **System Cleaning** if the status does not improve even after **Deep Cleaning** is performed.

### 1. Select **Utilities** from [Remote UI](#)

### 2. Click **System Cleaning**

Before running the system cleaning, check the following items:

Check that the printer power is on. Then open the Ink Tank Cover.

Check the following items for each ink.

- [Is there ink remaining in the tank?](#)
- Is the ink tank attached properly?  
If the Ink Lamp is not lit, remove it and attach it again.
- Did you install the ink tanks in their correct positions?

In addition, **System Cleaning** consumes an extremely large amount of ink.

Before executing this function, check the items below. Then, if you feel it necessary, execute **System Cleaning**.

- Did you use **Nozzle Check** to check the nozzle status and was there a problem?
- Did the status remain unchanged even after **Deep Cleaning** was executed?

### 3. Execute system cleaning

Click **Yes**.

System cleaning starts.

#### 4. Check the results

Check the print results.

#### Important

- **System Cleaning** consumes an extremely large amount of ink. Executing system cleaning frequently will rapidly deplete your printer's ink supply. Therefore, execute system cleaning only when necessary.

#### Related Topic

➔ [Printing a Nozzle Check Pattern](#)

## Printing a Nozzle Check Pattern

The nozzle check function allows you to check whether the print head is working properly by printing a nozzle check pattern. Print the pattern if printing becomes faint, or if a specific color fails to print.

The procedure for printing a nozzle check pattern is as follows:

### Nozzle Check

1. Select **Utilities** from [Remote UI](#)

2. Click **Nozzle Check**

Before printing the nozzle check pattern, check the following items:

Check that the printer power is on. Then open the Ink Tank Cover.

Check the following items for each ink. Then, if necessary, perform **Nozzle Check**.

- [Is there ink remaining in the tank?](#)
- Is the ink tank attached properly?  
If the Ink Lamp is not lit, remove it and attach it again.
- Did you install the ink tanks in their correct positions?

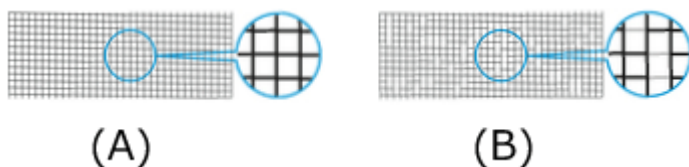
3. Print a nozzle check pattern

Click **Yes**.

Printing of the nozzle check pattern begins.

4. Check the print result

Check the print result.



(A) As long as the horizontal lines are in line, and not missing, the nozzle is working normally.

(B) Where the horizontal lines are not in line or are missing, the color nozzle is blocked.

From the nozzle check pattern printing results, if it becomes patchy or there are areas that cannot be printed, clean the print heads from **Cleaning**.

### Related Topic

➔ [Cleaning the Print Heads](#)

## **Cleaning the Printer**

---

- **Cleaning the Printer Exterior**
- **Cleaning Inside the Top Cover**
- **Cleaning the Print Head**

## Cleaning the Printer Exterior

Clean the printer regularly to maintain better printing quality and help prevent problems.

To ensure a comfortable working environment, clean the printer exterior about once a month.

1. Turn printer off.

➔ [Turning the Printer On and Off](#)

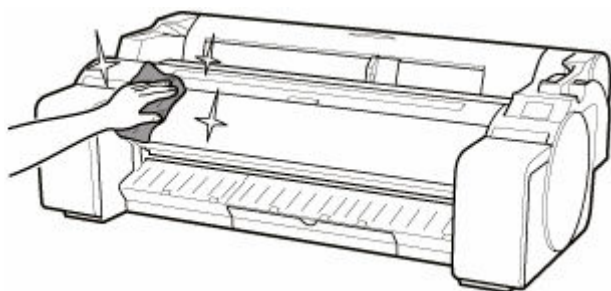
2. Unplug power cord from outlet.

### Caution

- Always turn off the printer and unplug the power cord before cleaning or maintenance. Accidentally leaving the printer on poses a risk of injury if you touch moving parts inside the printer.

3. Wring out soft cloth with water or watered-down neutral detergent, and use it to wipe off dirt.

Clean the printer exterior and the power cord plug.



### Warning

- Never use flammable solvents such as alcohol, benzine, or thinner. If these substances come into contact with electrical components inside the printer, there is a risk of fire or electrical shock.

### Important

- If the output guide is dirty, it may soil the edge of the paper when the paper is cut. We recommend cleaning the output guide even if it does not appear dirty, because it may actually be covered with paper dust.
  - ➔ [Cleaning Inside the Top Cover](#)
- Do not use tissue paper, paper towels, rough-textured cloth, or similar materials for cleaning so as not to scratch the surface.
- When neutral detergent is used, be sure to wipe off the detergent with soft cloth with water.

4. After cleaning, dry with a soft dry cloth.

5. Plug power cord into outlet.

## Cleaning Inside the Top Cover

Clean inside the top cover about once a month to maintain better printing quality and help prevent problems.

Also clean inside the top cover in the following situations to ensure optimal operation.

- If the printed surface or the underside of paper is dirty after printing
- When a roll paper runs out
- After borderless printing
- After printing on small paper
- After printing on paper that generates a lot of cutting debris
- After changing the roll paper
- After printing on paper that generates a lot of paper dust
- After printing on adhesive paper

### »» Important

- If the platen inside the top cover becomes dirty, it may soil the underside of paper. We recommend cleaning the platen after borderless printing or printing on small paper.
- If the output guide is dirty, it may soil the edge of the paper when the paper is cut. We recommend cleaning the output guide even if it does not appear dirty, because it may actually be covered with paper dust.
- Printing on adhesive paper may leave adhesive on the platen, paper retainer, or other parts. To prevent paper jams, we recommend cleaning inside the top cover after printing.
- Cleaning may not be performed if there is paper in the cleaning area. Remove the paper.

1. Tap  (**Setup**) > **Maintenance** on HOME screen.

➔ [Home Screen Menu Composition](#)

The **Maintenance** screen appears.

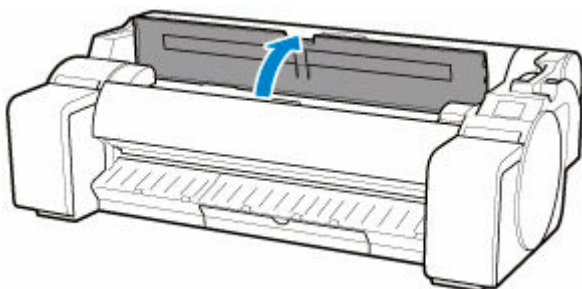
2. Tap **Platen cleaning**.

A confirmation message appears.

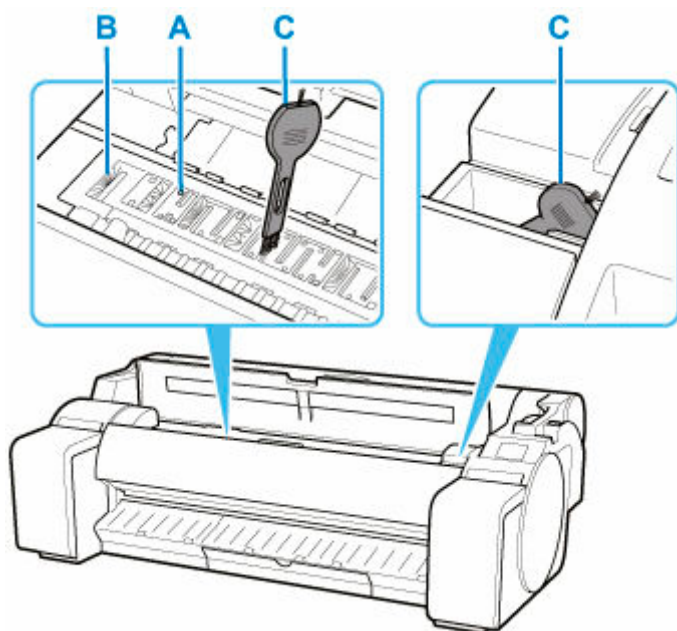
3. Tap **Yes**.

The carriage moves and after it stops moving, instructions appear on the touch screen.

4. Open top cover.

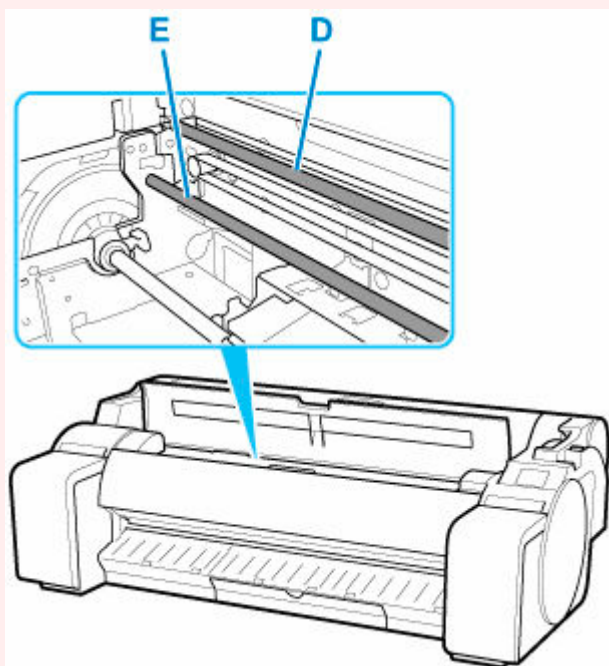


5. If paper dust has accumulated in vacuum holes (A) on platen or in ink grooves (B), use cleaning brush (C), provided with printer, to wipe it away.



**Important**

- Do not touch the linear scale (D) or carriage shaft (E). Touching these may cause malfunction.



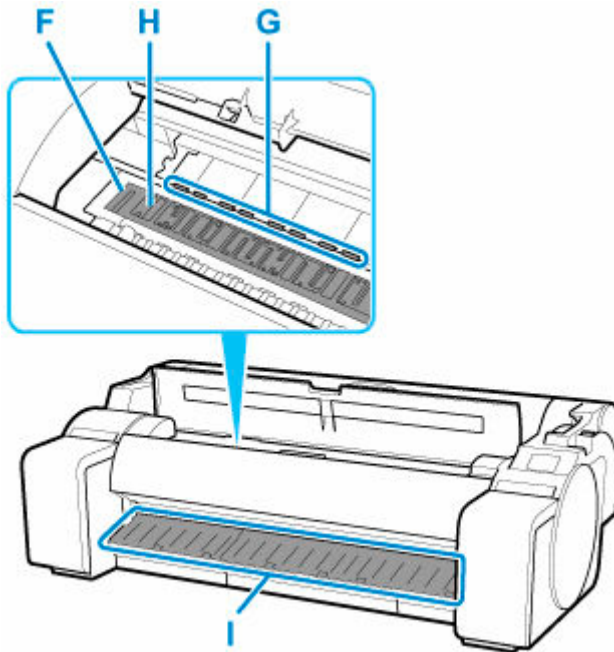
**Note**

- If the cleaning brush is dirty, rinse it in water.

6. Clean the inside of the top cover with a completely wrung out damp cloth.

Wipe away any ink residue and paper dust (debris from cutting) on entire platen (F), paper retainer (G), ink grooves (H), and output guide (I), and so on.





### **⚠ Warning**

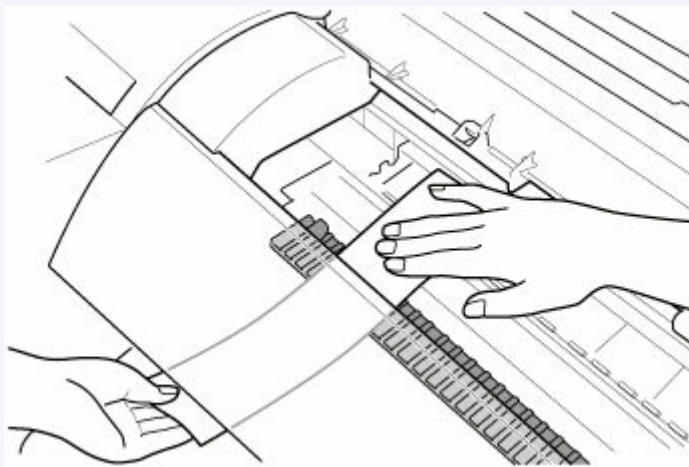
- Never use flammable solvents such as alcohol, benzine, or thinner. If these substances come into contact with electrical components inside the printer, there is a risk of fire or electrical shock.

### **➤➤ Important**

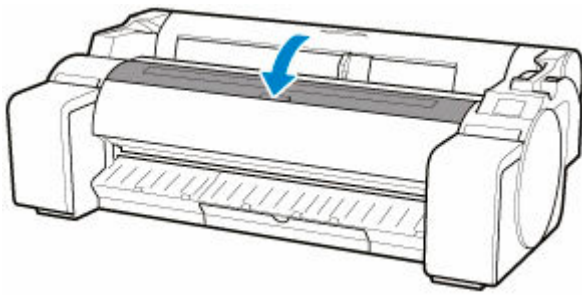
- Do not use a dry cloth to wipe inside the top cover. This may create a static charge, which may attract dust and affect the printing quality.
- Do not use tissue paper, paper towels, rough-textured cloth, or similar materials for cleaning so as not to scratch the surface.

### **➤➤ Note**

- When cleaning between the platen and ejection guide, use a damp cloth that you have wrung out completely to wipe over the output tray and along grooves.



**2.** Close top cover.



## **Other Maintenance**

---

- **Preparing to Transfer the Printer**
- **Reinstalling the Printer**
- **Firmware update**

## Preparing to Transfer the Printer

To protect the internal parts in transit, always follow these steps before transferring the printer to a new location.

For details on installing printer after transfer, see [Reinstalling the Printer](#).

### ►►► Important

- Avoid tilting the printer excessively in transit. This may cause ink in the printer to leak and cause stains.

### ►►► Note

- The maintenance cartridge replacement may be required when you execute the **Prepare to move** menu. Prepare the maintenance cartridge in advance while referring below. The number of maintenance cartridge required varies depending on the amount remaining in the maintenance cartridge being used.
- If you can move the printer in a level state using casters or something similar, you do not need to execute **Prepare to move**.
- Always follow the instructions of the service representative when preparing to transfer the printer.

The following lists transport restrictions by type of transport.

#### Move on the same floor

Usage Examples: Move indoors by carrying

- Transport and storage in low temperature environments: No
- Required maintenance cartridges: 1

#### Transport outdoors

Usage Examples: Transport by vehicle

- Transport and storage in low temperature environments: Yes
- Required maintenance cartridges: 1

## Preparing for Transportation

### 1. Remove the paper.

- Rolls
  - ➡ [Removing the Roll from the Printer](#)
- Sheet
  - ➡ [Removing Sheets](#)

### 2. If touch screen indicates to replace maintenance cartridge, replace maintenance cartridge.

- ➡ [Replacing the Maintenance Cartridge](#)

3. Tap  (**Setup**) > **Maintenance** on HOME screen.

➔ [Home Screen Menu Composition](#)

The **Maintenance** screen appears.

4. Tap **Prepare to move**.

5. Tap **Move on the same floor** or **Transport outdoors**.

A confirmation message appears.

6. Tap **Yes**.

The printer is now prepared for transfer.

When the preparation is finished, a message prompting you to open the ink tank cover appears on the touch screen.

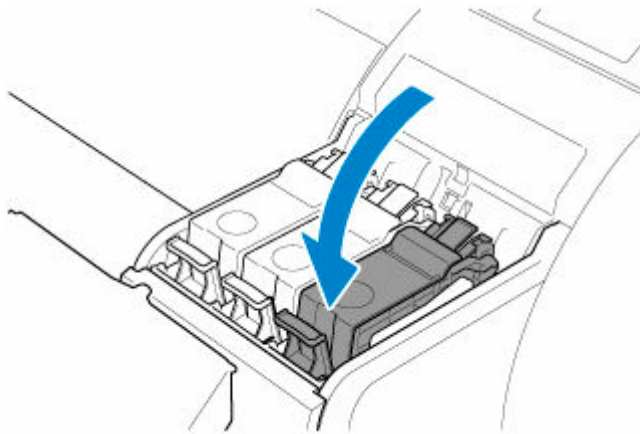
### ➤➤➤ Important

- If consumables must be replaced, a message appears on the touch screen, and preparation is disabled. If the message appears, tap **OK** and contact your Canon dealer for assistance.

7. Open ink tank cover to remove all ink tanks.

➔ [Replacing Ink Tanks](#)

8. Push all ink tank lock levers closed until they click into place.



9. Close ink tank cover.

Ink is now drawn into the maintenance cartridge.

A confirmation message will appear when the process is finished.

### ➤➤➤ Important

- Do not remove the maintenance cartridge except when the message indicating replacement is displayed.

If you remove the maintenance cartridge while ink is being removed, the ink may leak out.

10. Press **ON** button and turn off printer.

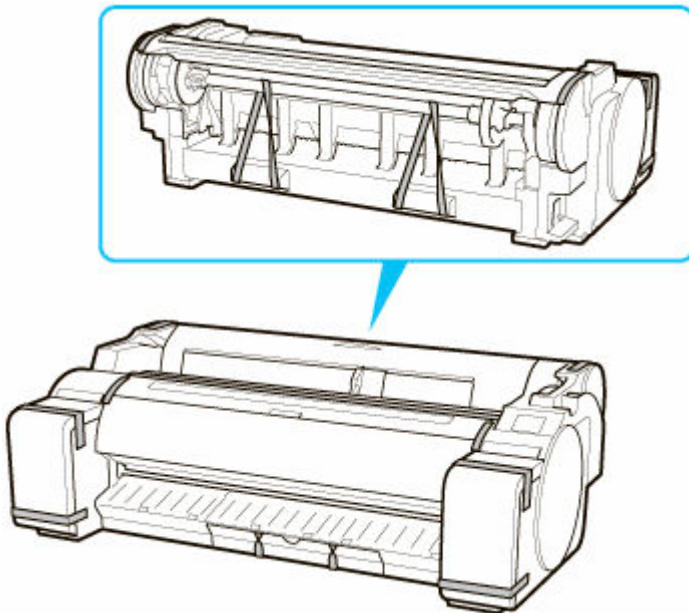
## Packing Printer

1. Disconnect power cord and interface cable.

### ▶▶▶ Important

- Turn off the printer before you unplug it. Unplugging the printer before it is off and moving it may damage the printer. If you accidentally unplug the printer, plug it in again, reinstall the ink tanks, and follow this procedure again.

2. Tape down printer covers to secure them, in the reverse order of tape removal during installation.



3. Remove the stand by reversing the installation procedure, when it was attached to the printer.
4. Disassemble and repackage the stand by following the installation procedure in reverse.
5. Repack roll holder, holder stopper, and printer in shipping materials, and then package them in shipping box.

## Reinstalling the Printer

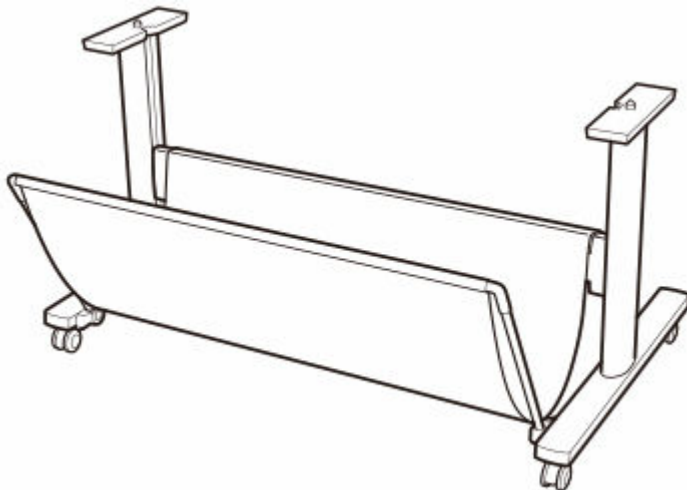
---

The basic workflow for reinstalling the printer is as follows.

For detailed instructions, see the Setup Guide.

### Assemble the stand (Option)

1. To use the optional stand, assemble the stand by referring to the Printer Stand Setup Guide that was provided with the stand.

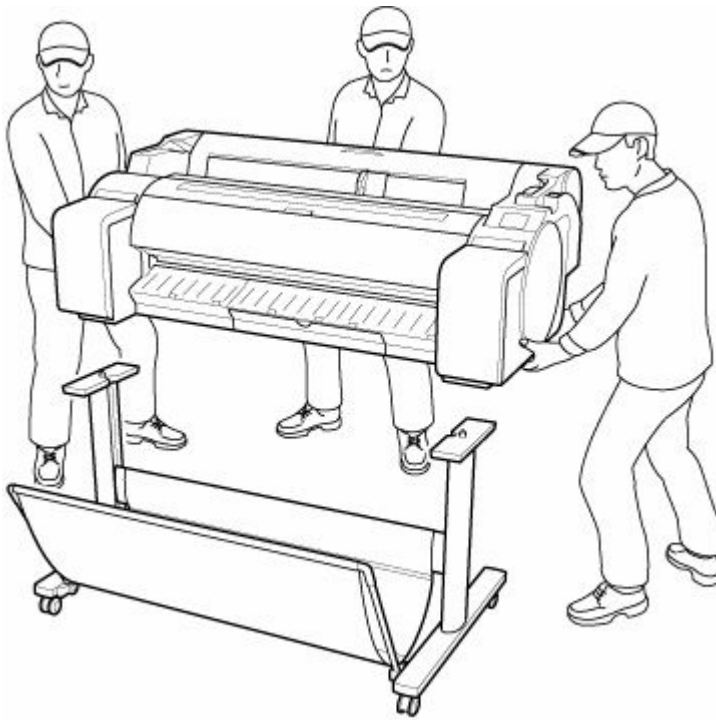


#### **⚠ Caution**

- The stand must be assembled by at least two people on a flat surface. Attempting assembly by yourself poses a risk of injury or bending the Stand.
  - When assembling the stand, lock all four of the casters. Attempting to move the stand when the casters are locked poses a risk of injury or damage to the location site.
  - When moving the stand, make sure that the basket does not graze the floor and that all four of the casters are unlocked before moving the stand. Not doing so may damage the basket, scratch the floor, or cause injuries.
- 

### Install the printer

1. Mount the printer on the assembled stand and tighten the screws firmly.

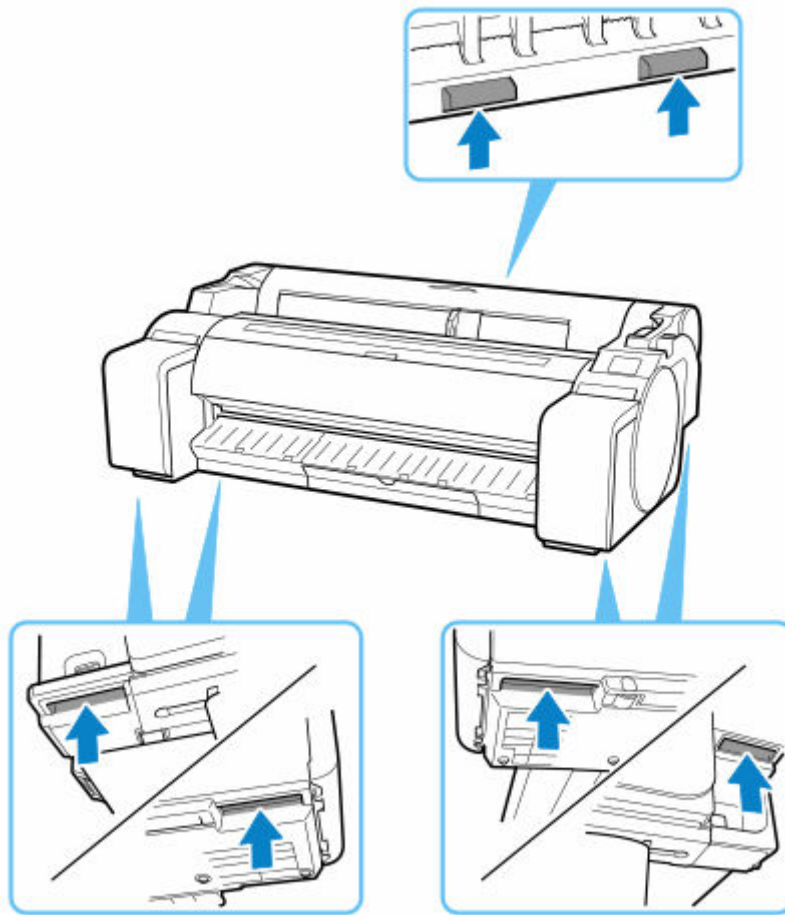


**⚠ Caution**

---

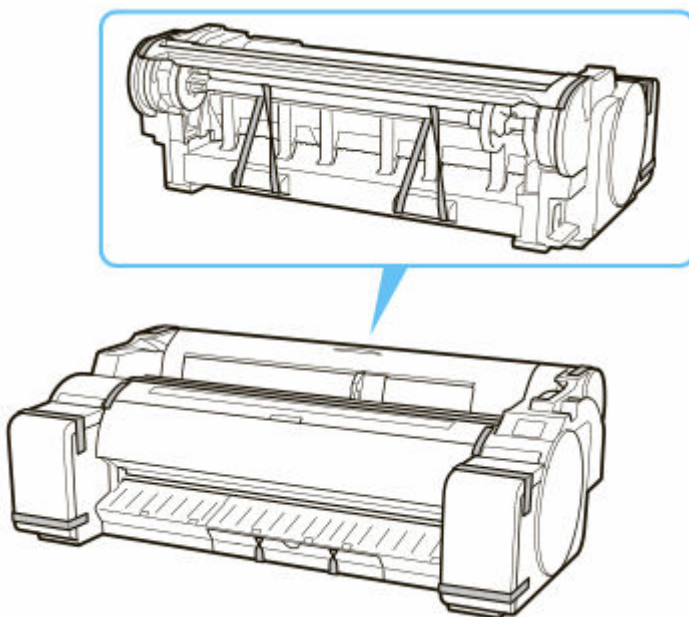
- Moving the printer requires at least three people. Be careful to avoid back strain and other injuries.
- When moving the printer, firmly grasp the carrying grips. The printer may be unsteady if you hold it at other positions, which poses a risk of injury from dropping the printer.



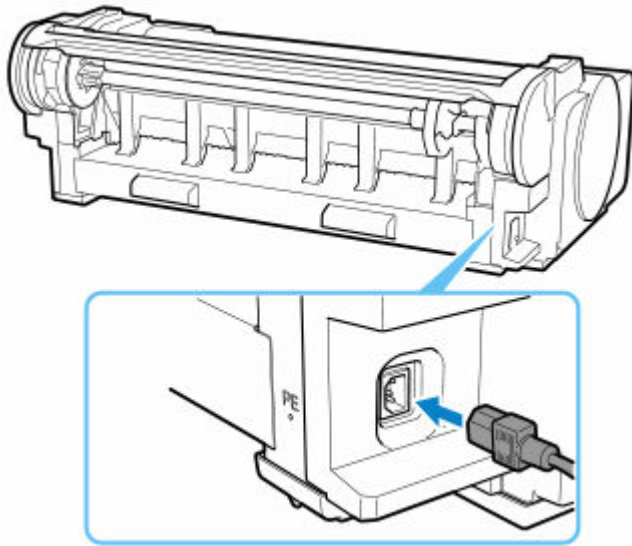


- When placing the printer on the stand, lock all four of the casters of the stand. Attempting to place the printer on the stand while the casters are not locked poses a risk of injury.

**2. Remove tape and packaging material attached to the printer.**



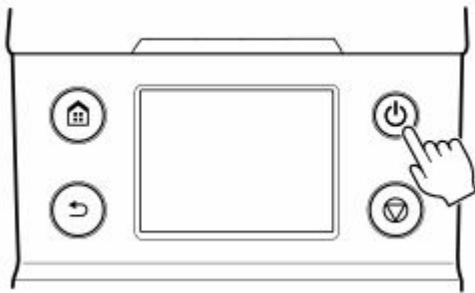
**3. Connect the power cord to the power cord connector on the right side of the printer.**



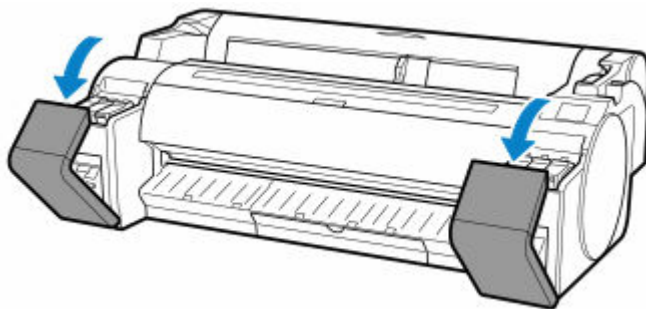
4. Plug the power cord into the outlet.

5. Press **ON** button to turn on printer.

When "Install the printer here? Do not install the ink tanks yet." appears, tap **Yes**.

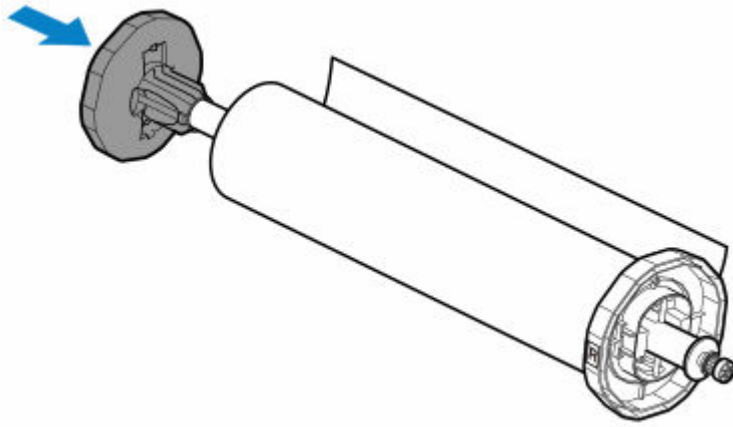


6. When instructions for loading ink tank appear on operation panel, open ink tank cover and load ink tank.



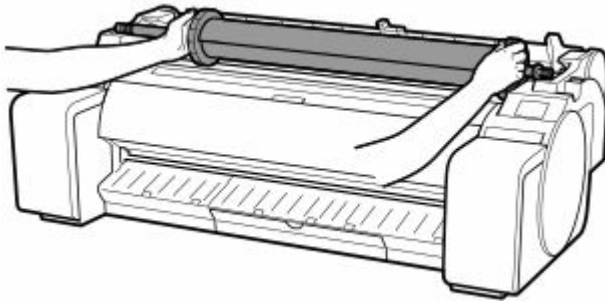
7. Loading Rolls on the roll holder

(See "[Loading Rolls on the Roll Holder.](#)")



**8. Load the Roll Media in the printer.**

(See "[Loading Rolls in the Printer.](#)")



**9. Install the software.**

Note that the driver installation procedure varies depending on the type of connection.

(See "Installing the Printer Driver" (Windows).)

(See "[Installing the Printer Driver](#)" (macOS).)

**▶▶▶ Important**

- When the printer is connected to a network (via TCP/IP), the printer's IP address may be changed if you reinstall the printer.

In this case, be sure to reconfigure the printer's IP address.

## Firmware update

### »» Important

- When you use this function, make sure the printer is connected to the Internet.
- The administrator password is required to change settings if it is enabled for changing settings using the operation panel.

### Using Operation Panel

1. Tap  (**Setup**) on HOME screen.

➔ [Home Screen Menu Composition](#)

2. Tap **Printer settings**.

3. Tap **Firmware update**.

If an administrator password is set, enter the password.

4. Tap **Install update**.

5. Tap **Yes**.

6. Confirm displayed message and tap **Start update**.

### Using Remote UI

1. Start up Remote UI.

➔ [Start up Remote UI](#)

2. Select **Firmware update**.

3. Select **Install update**.

4. Confirm displayed message and select **Update**.

### »» Note

- If the firmware update is not complete, check the following and take an appropriate action.
  - Check the network settings such as a wireless router.
  - If **Cannot connect to the server**. is displayed on the touch screen, select **OK** and try again after a while.

## Specifications

---

- Specifications
- Print Area

## Specifications

- ➔ Printer specifications
  - ➔ [GP-300 / GP-5300](#)
  - ➔ [GP-200 / GP-5200](#)
- ➔ [Printing performance](#)
- ➔ [Memory and hard disk](#)
- ➔ [Interface](#)
- ➔ [Network Specifications](#)
- ➔ [Operating Conditions](#)
- ➔ [Ink](#)
- ➔ [Paper](#)

### ▶▶▶ Important

- The following values may vary depending on the operating environment.

## Printer specifications

### GP-300 / GP-5300

<b>Power supply</b>	100-240 V AC (50/60 Hz)
<b>Power consumption</b>	<p><b>When printing:</b> 74 W max. *1</p> <p><b>In Sleep mode:</b> 2.0 W max. *1</p> <p><b>When power is off:</b> 0.3 W max. *2</p> <p>*1 Wired LAN connection</p> <p>*2 The printer uses a trace amount of power even when turned off. To stop all power consumption, turn off the printer and unplug the power cord.</p>
<b>Operating environment</b>	<p><b>Temperature:</b> 59 to 86 °F (15 to 30 °C)</p> <p><b>Humidity:</b> 10 to 80 % RH (with no condensation)</p>
<b>Dimensions (W x D x H)</b>	<p><b>Printer only:</b></p> <p>Approx. 50.8 x 29.5 x 17.3 in. (1289 x 748 x 439 mm)</p> <p><b>Printer and Stand SD-33 (when opening the basket):</b></p> <p>Approx. 50.8 x 34.3 x 41.8 in. (1289 x 870 x 1060 mm)</p> <p>Stand may not be provided depending on the region where the printer is purchased.</p>
<b>Weight</b>	<p><b>Printer only (without print head and ink tanks):</b></p> <p>Approx. 108 lb (49 kg)</p> <p><b>Printer and Stand SD-33 (without print head and ink tanks):</b></p> <p>Approx. 128 lb (59 kg)</p>
<b>Space for installation (W x D x H)</b>	<p><b>Printer only:</b></p> <p>Approx. 66.5 x 53.5 x 29.1 in. (1689 x 1358 x 739 mm)</p>

	<b>Printer and Stand SD-33 (when opening the basket):</b> Approx. 66.5 x 57.9 x 53.6 in. (1689 x 1470 x 1360 mm)
--	---------------------------------------------------------------------------------------------------------------------

## GP-200 / GP-5200

<b>Power supply</b>	100-240 V AC (50/60 Hz)
<b>Power consumption</b>	<b>When printing:</b> 71 W max. *1 <b>In Sleep mode:</b> 2.0 W max. *1 <b>When power is off:</b> 0.3 W max. *2 *1 Wired LAN connection *2 The printer uses a trace amount of power even when turned off. To stop all power consumption, turn off the printer and unplug the power cord.
<b>Operating environment</b>	<b>Temperature:</b> 59 to 86 °F (15 to 30 °C) <b>Humidity:</b> 10 to 80 % RH (with no condensation)
<b>Dimensions (W x D x H)</b>	<b>Printer only:</b> Approx. 38.7 x 29.5 x 17.3 in. (982 x 748 x 439 mm) <b>Printer and Stand SD-24 (when opening the basket):</b> Approx. 38.7 x 34.3 x 41.8 in. (982 x 870 x 1060 mm) Stand may not be provided depending on the region where the printer is purchased.
<b>Weight</b>	<b>Printer only (without print head and ink tanks):</b> Approx. 91 lb (41 kg) <b>Printer and Stand SD-24 (without print head and ink tanks):</b> Approx. 110 lb (50 kg)
<b>Space for installation (W x D x H)</b>	<b>Printer only:</b> Approx. 54.5 x 53.5 x 29.1 in. (1382 x 1358 x 739 mm) <b>Printer and Stand SD-24 (when opening the basket):</b> Approx. 54.5 x 57.9 x 53.6 in. (1382 x 1470 x 1360 mm)

## Printing performance

<b>Print method</b>	Bubblejet
<b>Maximum resolution</b>	2400 dpi (horizontally) * x 1200 dpi (vertically) * Prints with a minimum 1/2400 inch dot pitch between ink droplets.
<b>Print head</b>	PF-07
<b>Number of nozzles</b>	2560 nozzles per color

## Memory and hard disk

<b>Memory</b>	Physical memory 2GB
<b>Hard disk capacity</b>	500 GB <b>Personal mail boxes (Permanent storage area):</b> 308 GB
<b>Print job storage capacity</b>	<b>Common Box:</b> 100 jobs <b>Personal Boxes:</b> 100 jobs

## Interface

USB and the network can be used at the same time.

You cannot use Wi-Fi and wired LAN at the same time.

<b>USB</b>	Hi-Speed USB *  * To use Hi-Speed USB, your computer must support Hi-Speed USB. Additionally, the Hi-Speed USB interface is completely backward compatible with USB 1.1, so the printer can be connected even if the computer interface is USB 1.1.
<b>USB memory</b>	USB flash drive
<b>LAN</b>	<b>Wired LAN:</b> IEEE802.3ab (1000BASE-T) / IEEE802.3u (100BASE-TX) / IEEE802.3 (10BASE-T)  <b>Wi-Fi:</b> IEEE802.11n / IEEE802.11g / IEEE802.11b

## Network Specifications

<b>Communication protocol</b>	SNMP, HTTP, TCP/IP (IPv4/IPv6), FTP
<b>Wired LAN specifications</b>	<b>Compliance standards:</b> IEEE802.3ab (1000BASE-T) / IEEE802.3u (100BASE-TX) / IEEE802.3 (10BASE-T) <b>Transmission speed:</b> 10 Mbps / 100 Mbps / 1000 Mbps (automatically selected) <b>Security:</b> IEEE802.1X (EAP-TLS/EAP-TTLS/PEAP)
<b>Wi-Fi specifications</b>	<b>Compliance standards:</b> IEEE802.11n / IEEE802.11g / IEEE802.11b <b>Frequency range:</b> 2.4 GHz <b>Channels:</b> 1-11 or 1-13 * * Varies by country and region. <b>Effective range:</b> Indoors 164 feet/50 m * * Varies according to environmental conditions. <b>Security:</b> WEP (64/128 bits) WPA-PSK (TKIP/AES) WPA2-PSK (TKIP/AES)



	<b>Setup:</b> WPS (push button method/PIN code method) Easy wireless connect
--	------------------------------------------------------------------------------------

## **Operating Conditions**

If operating conditions of the operating system are high, follow those.

### **Windows**

<b>Compatible Operating System (Standard supplied printer driver)</b>	Windows 10 Windows 8.1 Windows 7 Windows Server 2019 Windows Server 2016 Windows Server 2012 R2 Windows Server 2012 Windows Server 2008 R2 Use the latest Service Pack available.
<b>Free hard disk space</b>	20 GB or more

### **macOS**

<b>Compatible Operating System (Standard supplied printer driver)</b>	macOS High Sierra 10.13.6 - macOS Big Sur 11
<b>Free hard disk space</b>	20 GB or more

### **Other Supported OS**

iOS, iPadOS, Android Some functions may not be available with the supported OS.
------------------------------------------------------------------------------------

- An Internet connection is required to use the Online Manual.
- To install the software while using Windows, you must have a CD-ROM drive or a network connection.
- To install the software while using macOS, you must have a network connection.

## **Ink**

For information on the ink the printer supports, see [Ink Tanks](#).

## **Paper**

For details on the compatible media types, see Paper Information List.

For details on the paper widths supported by the printer, see [Paper Sizes](#).

For details about Print Area, see [Print Area](#).

## Print Area

A margin required by the printer is added with respect to the size of paper loaded in the printer. Except in borderless printing, the actual printing area corresponds to the paper size minus the space for this margin.

### ▶▶▶ Note

- Printable Area: The area that can be printed.
- For borderless printing with roll paper, the margin is 0 in. (0 mm).
  - ➔ [Printing without Edges Based on the Scenarios \(Windows\)](#)
  - ➔ [Printing without Edges Based on the Scenarios \(macOS\)](#)
- Recommended Print Area: We recommend printing within this area.
- To match the document size with the actual printing area, print on oversize paper with the required margin added.
  - ➔ [Printing to Oversized Paper Sizes \(Windows\)](#)
  - ➔ [Printing to Oversized Paper Sizes \(macOS\)](#)

## Sheets

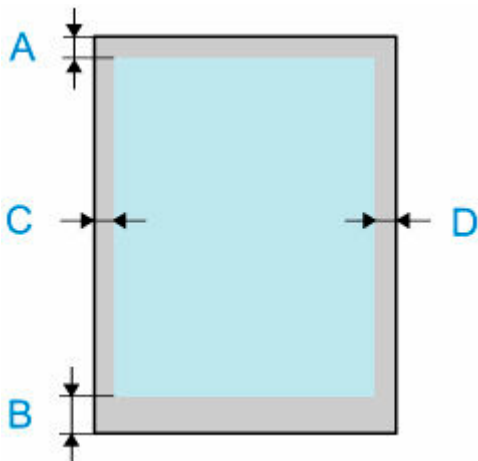
### Printable Area:

A margin of 0.2 in. (3 mm) on top, 0.5 in. (12.7 mm) on bottom\*, and 0.2 in. (3 mm) on left and right sides is required.

### Recommended Print Area:

A margin of 0.8 in. (20 mm) on top, 0.8 in. (20 mm) on bottom\*, and 0.2 in. (3 mm) on left and right sides is required.

\* The bottom margin for cut sheet depends on an OS and applications.



- A: Top Edge
- B: Bottom Edge
- C: Left Edge
- D: Right Edge

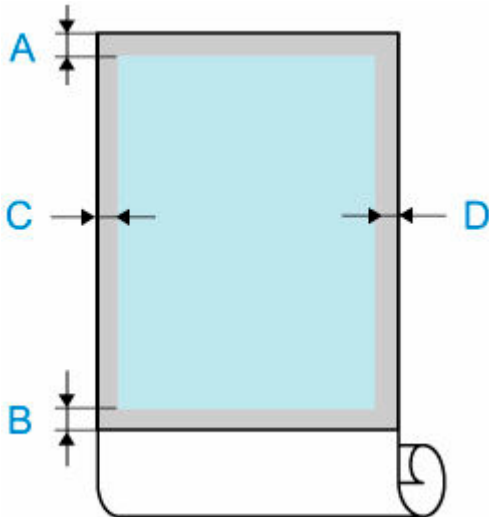
## Rolls

### Printable Area:

A margin of 0.2 in. (3 mm) on top and bottom and 0.2 in. (3 mm) on left and right sides is required. For borderless printing, the margins on top, bottom, left, and right are 0 in. (0 mm). For paper that supports borderless printing, see Paper Information List.

### Recommended Print Area:

A margin of 0.8 in. (20 mm) on top, 0.2 in. (3 mm) on bottom, and 0.2 in. (3 mm) on left and right sides is required.



- A: Top Edge
- B: Bottom Edge
- C: Left Edge
- D: Right Edge




## Appendix

---

- **Manuals and Their Contents**
- **Safety**
- **Online Manual**
- **Using This Online Manual**
- **Trademarks and Licenses**

## Manuals and Their Contents

---

<b>Quick Guide</b>	Replacing paper, ink tanks, and print head. 
<b>Setup Guide</b>	Installing the printer and software. 
<b>Printer Stand Setup Guide</b>	Assembling the stand. 

## **Safety**

---

- **Safety Precautions**
- **Regulatory Information**
- **WEEE (EU&EEA)**
- **When Repairing, Lending, or Disposing of the Printer**

## Safety Precautions

---

### Choosing a location

- Never install the printer on an unstable or vibrating surface.
- Do not install the printer in locations that are very humid or dusty, in direct sunlight, outdoors, or close to a heating source.

To avoid the risk of fire or electric shocks, use the printer under the operating environment specified in the [Specifications](#).

- Do not place the printer on a thick rug or carpet.
- Do not place the printer with its back attached to the wall.
- We recommend ensuring ample space for installation.
- Do not install the printer near sources of strong electromagnetic fields, whether equipment that generates such fields or places where such fields occur.

### Power Supply

- Ensure that the area around the power outlet is kept clear at all times so you can easily unplug the power cord if necessary.
- Never remove the plug by pulling on the cord.  
Pulling the cord may damage the power cord, leading to possible fire or electrical shock.
- Do not use an extension lead/cord.

### Working Around the Printer

- Never put your hands or fingers in the printer while it is printing.
- Firmly grasp the carrying grips on each side in the base. Holding the printer at other positions is dangerous and cause injury and damage if the printer is dropped.
- Use the following number of people to hold the printer when transporting the printer by carrying it. The weight may cause pain such as back pain.  
For the GP-300, GP-5300 : 3 people or more  
For the GP-200, GP-5200 : 3 people or more
- When using and transferring the printer, do not tilt it, stand it on its side, or turn it upside down. There is a risk of the ink spilling.
- When transferring the printer tilted, always perform the steps in "[Preparing to Transfer the Printer](#)" in order to protect the internal structure.
- Do not place any object on the printer. Especially do not place metal objects (paper clips, staples, etc.) or containers of flammable solvents (alcohol, thinners, etc.) on top of the printer.

### Print Heads/Ink Tanks/Maintenance Cartridges

- Keep ink tanks out of the reach of children. In case ink is accidentally licked or swallowed, rinse out mouth or give one or two glasses of water to drink. If irritation or discomfort occurs, obtain medical advice immediately.



- In case ink gets in contact with eyes, rinse with water immediately. In case ink gets in contact with skin, wash with soap and water immediately. If irritation to eyes or skin persists, obtain medical advice immediately.
- Never touch the electrical contacts on a print head after printing.  
The metal parts may be very hot and could cause burns.
- Do not throw ink tanks and maintenance cartridges into fire.
- Do not attempt to disassemble or modify the print head, ink tanks, and maintenance cartridges.
- Avoid dropping or shaking print head, ink tanks, and maintenance cartridges.

## Regulatory Information

### Users in the U.S.A.

FCC Notice (U.S.A. Only)

For 120V, 60Hz model

Model Number: K10548/K10547 (Contains FCC Approved WLAN Module K30357)

This device complies with Part 15 of the FCC Rules. Operation is subject to the following two conditions:

(1) This device may not cause harmful interference, and (2) this device must accept any interference received, including interference that may cause undesired operation.

Note: This equipment has been tested and found to comply with the limits for a Class B digital device, pursuant to Part 15 of the FCC Rules. These limits are designed to provide reasonable protection against harmful interference in a residential installation. This equipment generates, uses and can radiate radio frequency energy and, if not installed and used in accordance with the instructions, may cause harmful interference to radio communications.

However, there is no guarantee that interference will not occur in a particular installation. If this equipment does cause harmful interference to radio or television reception, which can be determined by turning the equipment off and on, the user is encouraged to try to correct the interference by one or more of the following measures:

- Reorient or relocate the receiving antenna.
- Increase the separation between the equipment and receiver.
- Connect the equipment into an outlet on a circuit different from that to which the receiver is connected.
- Consult the dealer or an experienced radio/TV technician for help.

Use of a shielded cable is required to comply with Class B limits in Subpart B of Part 15 of the FCC Rules.

Do not make any changes or modifications to the equipment unless otherwise specified in the manual. If such changes or modifications should be made, you could be required to stop operation of the equipment.

Changes or modifications not expressly approved by the party responsible for compliance could void the user's authority to operate equipment.

This transmitter must not be co-located or operating in conjunction with any other antenna or transmitter.

The equipment complies with FCC radiation exposure limits for uncontrolled equipment. This equipment should be installed and operated with minimum distance at least 20cm between the radiator and persons body (excluding extremities: hands, wrists, feet and ankles) and must not be colocated or operated with any other antenna or transmitter.

Canon U.S.A., Inc.

One Canon Park

Melville, New York 11747

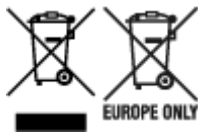
1-800-652-2666

## **Interference**

Do not use the printer around medical equipment or other electronic devices. Signals from the printer may interfere with the correct operation of these devices.

## WEEE (EU&EEA)

### Only for European Union and EEA (Norway, Iceland and Liechtenstein)



These symbols indicate that this product is not to be disposed of with your household waste, according to the WEEE Directive (2012/19/EU), the Battery Directive (2006/66/EC) and/or national legislation implementing those Directives. If a chemical symbol is printed beneath the symbol shown above, in accordance with the Battery Directive, this indicates that a heavy metal (Hg = Mercury, Cd = Cadmium, Pb = Lead) is present in this battery or accumulator at a concentration above an applicable threshold specified in the Battery Directive. This product should be handed over to a designated collection point, e.g., on an authorized one-for-one basis when you buy a new similar product or to an authorized collection site for recycling waste electrical and electronic equipment (EEE) and batteries and accumulators. Improper handling of this type of waste could have a possible impact on the environment and human health due to potentially hazardous substances that are generally associated with EEE. Your cooperation in the correct disposal of this product will contribute to the effective usage of natural resources. For more information about the recycling of this product, please contact your local city office, waste authority, approved scheme or your household waste disposal service or visit [www.canon-europe.com/weee](http://www.canon-europe.com/weee), or [www.canon-europe.com/battery](http://www.canon-europe.com/battery).

### Nur für Europäische Union und EWR (Norwegen, Island und Liechtenstein)



Diese Symbole weisen darauf hin, dass dieses Produkt gemäß WEEE-Richtlinie (2012/19/EU; Richtlinie über Elektro- und Elektronik-Altgeräte), Batterien-Richtlinie (2006/66/EG) und nationalen Gesetzen zur Umsetzung dieser Richtlinien nicht über den Hausmüll entsorgt werden darf. Falls sich unter dem oben abgebildeten Symbol ein chemisches Symbol befindet, bedeutet dies gemäß der Batterien-Richtlinie, dass in dieser Batterie oder diesem Akkumulator ein Schwermetall (Hg = Quecksilber, Cd = Cadmium, Pb = Blei) in einer Konzentration vorhanden ist, die über einem in der Batterien-Richtlinie angegebenen Grenzwert liegt. Dieses Produkt muss bei einer dafür vorgesehenen Sammelstelle abgegeben werden. Dies kann z. B. durch Rückgabe beim Kauf eines neuen ähnlichen Produkts oder durch Abgabe bei einer autorisierten Sammelstelle für die Wiederaufbereitung von Elektro- und Elektronik-Altgeräten sowie Batterien und Akkumulatoren geschehen. Der unsachgemäße Umgang mit Altgeräten kann aufgrund potenziell gefährlicher Stoffe, die generell mit Elektro- und Elektronik-Altgeräten in Verbindung stehen, negative Auswirkungen auf die Umwelt und die menschliche Gesundheit haben. Durch Ihre Mitarbeit bei der umweltgerechten Entsorgung dieses Produkts tragen Sie zu einer effektiven Nutzung natürlicher Ressourcen bei. Um weitere Informationen über die Wiederverwertung dieses Produkts zu erhalten, wenden Sie sich an Ihre Stadtverwaltung, den öffentlich-rechtlichen Entsorgungsträger, eine autorisierte Stelle für die Entsorgung von Elektro- und Elektronik-Altgeräten

oder Ihr örtliches Entsorgungsunternehmen oder besuchen Sie [www.canon-europe.com/weee](http://www.canon-europe.com/weee), oder [www.canon-europe.com/battery](http://www.canon-europe.com/battery).

## Union Européenne, Norvège, Islande et Liechtenstein uniquement.



Ces symboles indiquent que ce produit ne doit pas être mis au rebut avec les ordures ménagères, comme le spécifient la Directive européenne DEEE (2012/19/UE), la Directive européenne relative à l'élimination des piles et des accumulateurs usagés (2006/66/CE) et les lois en vigueur dans votre pays appliquant ces directives. Si un symbole de toxicité chimique est imprimé sous le symbole illustré ci-dessus conformément à la Directive relative aux piles et aux accumulateurs, il indique la présence d'un métal lourd (Hg = mercure, Cd = cadmium, Pb = plomb) dans la pile ou l'accumulateur à une concentration supérieure au seuil applicable spécifié par la Directive. Ce produit doit être confié au distributeur à chaque fois que vous achetez un produit neuf similaire, ou à un point de collecte mis en place par les collectivités locales pour le recyclage des Déchets des Équipements Électriques et Électroniques (DEEE). Le traitement inapproprié de ce type de déchet risque d'avoir des répercussions sur l'environnement et la santé humaine, du fait de la présence de substances potentiellement dangereuses généralement associées aux équipements électriques et électroniques. Votre entière coopération dans le cadre de la mise au rebut correcte de ce produit favorisera une meilleure utilisation des ressources naturelles. Pour plus d'informations sur le recyclage de ce produit, contactez vos services municipaux, votre éco-organisme ou les autorités locales compétentes, ou consultez le site [www.canon-europe.com/weee](http://www.canon-europe.com/weee), ou [www.canon-europe.com/battery](http://www.canon-europe.com/battery).

## Uitsluitend bestemd voor de Europese Unie en EER (Noorwegen, IJsland en Liechtenstein)



Met deze symbolen wordt aangegeven dat dit product in overeenstemming met de AEEA-richtlijn (2012/19/EU), de richtlijn 2006/66/EG betreffende batterijen en accu's en/of de plaatselijk geldende wetgeving waarin deze richtlijnen zijn geïmplementeerd, niet bij het normale huisvuil mag worden weggegooid. Indien onder het hierboven getoonde symbool een chemisch symbool gedrukt staat, geeft dit in overeenstemming met de richtlijn betreffende batterijen en accu's aan dat deze batterij of accu een zwaar metaal bevat (Hg = kwik, Cd = cadmium, Pb = lood) waarvan de concentratie de toepasselijke drempelwaarde in overeenstemming met de genoemde richtlijn overschrijdt. Dit product dient te worden ingeleverd bij een hiervoor aangewezen inzamelpunt, bijv. door dit in te leveren bij een hiertoe erkend verkooppunt bij aankoop van een gelijksoortig product, of bij een officiële inzameldienst voor de recycling van elektrische en elektronische apparatuur (EEA) en batterijen en accu's. Door de potentieel gevaarlijke stoffen die gewoonlijk gepaard gaan met EEA, kan onjuiste verwerking van dit type afval mogelijk nadelige gevolgen hebben voor het milieu en de menselijke gezondheid. Uw medewerking bij het op juiste wijze weggooiden van dit product draagt bij tot effectief gebruik van natuurlijke hulpbronnen. Voor verdere informatie over recycling van dit product kunt u contact opnemen met uw plaatselijke gemeente,

afvaldienst, officiële dienst voor klein chemisch afval of afvalstortplaats, of kunt u terecht op [www.canon-europe.com/weee](http://www.canon-europe.com/weee), of [www.canon-europe.com/battery](http://www.canon-europe.com/battery).

## Sólo para la Unión Europea y el Área Económica Europea (Noruega, Islandia y Liechtenstein)



Estos iconos indican que este producto no debe desecharse con los residuos domésticos de acuerdo con la Directiva sobre RAEE (2012/19/UE) y la Directiva sobre Pilas y Acumuladores (2006/66/CE) y/o la legislación nacional. Si aparece un símbolo químico bajo este icono, de acuerdo con la Directiva sobre Pilas y Acumuladores, significa que la pila o el acumulador contiene metales pesados (Hg = Mercurio, Cd = Cadmio, Pb = Plomo) en una concentración superior al límite especificado en dicha directiva. Este producto deberá entregarse en un punto de recogida designado, por ejemplo, entregándolo en el lugar de venta al adquirir un producto nuevo similar o en un centro autorizado para la recogida de residuos de aparatos eléctricos y electrónicos (RAEE), baterías y acumuladores. La gestión incorrecta de este tipo de residuos puede afectar al medio ambiente y a la salud humana debido a las sustancias potencialmente nocivas que suelen contener estos aparatos. Su cooperación en la correcta eliminación de este producto contribuirá al correcto aprovechamiento de los recursos naturales. Los usuarios tienen derecho a devolver pilas, acumuladores o baterías usados sin coste alguno. El precio de venta de pilas, acumuladores y baterías incluye el coste de la gestión medioambiental de su desecho, y no es necesario mostrar la cuantía de dicho coste en la información y la factura suministradas a los usuarios finales. Si desea más información sobre el reciclado de este producto, póngase en contacto con su municipio, el servicio o el organismo encargado de la gestión de residuos domésticos o visite [www.canon-europe.com/weee](http://www.canon-europe.com/weee), o [www.canon-europe.com/battery](http://www.canon-europe.com/battery).

## Només per a la Unió Europea i a l'Espai Econòmic Europeu (Noruega, Islàndia i Liechtenstein)



Aquests símbols indiquen que aquest producte no s'ha de llençar amb les escombraries de la llar, d'acord amb la RAEE (2012/19/UE), la Directiva relativa a piles i acumuladors (2006/66/CE) i la legislació nacional que implementi aquestes directives. Si al costat d'aquest símbol hi apareix imprès un símbol químic, segons especifica la Directiva relativa a piles i acumuladors, significa que la bateria o l'acumulador conté un metall pesant (Hg = mercuri, Cd = cadmi, Pb = plom) en una concentració superior al límit aplicable especificat en la Directiva. Aquest producte s'hauria de lliurar en un dels punts de recollida designats, com per exemple, intercanviant un per un en comprar un producte similar o lliurant-lo en un lloc de recollida autoritzat per al reciclatge de residus d'aparells elèctrics i electrònics (RAEE) i piles i acumuladors. La manipulació inadequada d'aquest tipus de residus podria tenir un impacte negatiu en l'entorn i en la salut humana, a causa de les substàncies potencialment perilloses que normalment estan associades a l'RAEE. La vostra cooperació a l'hora de rebutjar correctament aquest producte contribuirà a la utilització efectiva dels recursos naturals. Els usuaris tenen dret a retornar les bateries o

els acumuladors usats sense cap càrrec. El preu de venda de les bateries i els acumuladors inclou el cost de la gestió ambiental dels residus i no es necessari mostrar l'import d'aquest cost en aquest fullet o en la factura que es lliuri a l'usuari final. Per a més informació sobre el reciclatge d'aquest producte, contacteu amb l'oficina municipal, les autoritats encarregades dels residus, el pla de residus homologat o el servei de recollida d'escombraries domèstiques de la vostra localitat o visiteu [www.canon-europe.com/weee](http://www.canon-europe.com/weee), o [www.canon-europe.com/battery](http://www.canon-europe.com/battery).

## Solo per Unione Europea e SEE (Norvegia, Islanda e Liechtenstein)



Questi simboli indicano che il prodotto non può essere smaltito con i rifiuti domestici, ai sensi della Direttiva RAEE (2012/19/UE), della Direttiva sulle Batterie (2006/66/CE) e/o delle leggi nazionali che attuano tali Direttive. Se sotto il simbolo indicato sopra è riportato un simbolo chimico, in osservanza della Direttiva sulle batterie, tale simbolo indica la presenza di un metallo pesante (Hg = Mercurio, Cd = Cadmio, Pb = Piombo) nella batteria o nell'accumulatore con un livello di concentrazione superiore a una soglia applicabile specificata nella Direttiva sulle batterie. Il prodotto deve essere conferito a un punto di raccolta designato, ad esempio il rivenditore in caso di acquisto di un nuovo prodotto simile oppure un centro di raccolta autorizzato per il riciclaggio di rifiuti di apparecchiature elettriche ed elettroniche (RAEE) nonché di batterie e accumulatori. Un trattamento improprio di questo tipo di rifiuti può avere conseguenze negative sull'ambiente e sulla salute umana a causa delle sostanze potenzialmente nocive solitamente contenute in tali rifiuti. La collaborazione dell'utente per il corretto smaltimento di questo prodotto contribuirà a un utilizzo efficace delle risorse naturali ed eviterà di incorrere in sanzioni amministrative ai sensi dell'art. 255 e successivi del Decreto Legislativo n. 152/06. Per ulteriori informazioni sul riciclaggio di questo prodotto, contattare le autorità locali, l'ente responsabile della raccolta dei rifiuti, un rivenditore autorizzato o il servizio di raccolta dei rifiuti domestici, oppure visitare il sito [www.canon-europe.com/weee](http://www.canon-europe.com/weee), o [www.canon-europe.com/battery](http://www.canon-europe.com/battery).

## Apenas para a União Europeia e AEE (Noruega, Islândia e Liechtenstein)



Estes símbolos indicam que este produto não deve ser eliminado juntamente com o seu lixo doméstico, segundo a Diretiva REEE de 2012/19/UE, a Diretiva de Baterias (2006/66/CE) e/ou a sua legislação nacional que transponha estas Diretivas. Se houver um símbolo químico impresso como mostrado abaixo, de acordo com a Diretiva de Baterias, isto indica que um metal pesado (Hg = Mercúrio, Cd = Cádmiio, Pb = Chumbo) está presente nesta pilha ou acumulador, numa concentração acima de um limite aplicável especificado na Diretiva. Este produto deve ser entregue num ponto de recolha designado, por exemplo num local autorizado de troca quando compra um equipamento novo idêntico, ou num local de recolha autorizado para reciclar equipamento elétrico e eletrónico (EEE) em fim de vida, bem como pilhas e baterias. O tratamento inadequado deste tipo de resíduos pode ter um impacto negativo no ambiente e na saúde humana, devido a substâncias potencialmente perigosas que estão associadas

com equipamentos do tipo EEE. A sua cooperação no tratamento correto deste produto irá contribuir para a utilização mais eficaz dos recursos naturais. Para obter mais informações acerca de como reciclar este produto, por favor contacte as suas autoridades locais responsáveis pela matéria, serviço de recolha aprovado para pilhas e baterias ou serviço de recolha de resíduos sólidos domésticos da sua municipalidade, ou visite [www.canon-europe.com/weee](http://www.canon-europe.com/weee), ou [www.canon-europe.com/battery](http://www.canon-europe.com/battery).

## Gælder kun i Europæiske Union og EØS (Norge, Island og Liechtenstein)



Disse symboler betyder, at produktet ikke må bortskaffes sammen med dagrenovation i henhold til WEEE-direktivet (2012/19/EU), batteridirektivet (2006/66/EF) og/eller den lokale lovgivning, som disse direktiver er gennemført i. Hvis der i overensstemmelse med batteridirektivet er trykt et kemisk symbol under det symbol, der er vist ovenfor, betyder det, at batteriet eller akkumulatoren indeholder tungmetaller (Hg = kviksølv, Cd = cadmium, Pb = bly) i en koncentration, som ligger over de grænseværdier, der er beskrevet i batteridirektivet. Produktet skal afleveres på et godkendt indsamlingssted, f.eks. i overensstemmelse med en godkendt én-til-én-procedure, når du indkøber et nyt tilsvarende produkt, eller på et godkendt indsamlingssted for elektronikaffald samt for batterier og akkumulatore. Forkert håndtering af denne type affald kan medføre negative konsekvenser for miljøet og menneskers helbred på grund af de potentielt sundhedsskadelige stoffer, der generelt kan forefindes i elektrisk og elektronisk udstyr. Når du foretager korrekt bortskaffelse af produktet, bidrager du til effektiv brug af naturressourcerne. Kontakt din kommune, den lokale affaldsmyndighed, det lokale affaldsanlæg, eller besøg [www.canon-europe.com/weee](http://www.canon-europe.com/weee), eller [www.canon-europe.com/battery](http://www.canon-europe.com/battery) for at få flere oplysninger om genbrug af dette produkt.

## Μόνο για την Ευρωπαϊκή Ένωση και τον ΕΟΧ (Νορβηγία, Ισλανδία και Λιχτενστάιν)



Αυτά τα σύμβολα υποδεικνύουν ότι αυτό το προϊόν δεν πρέπει να απορρίπτεται μαζί με τα οικιακά απορρίμματα, σύμφωνα με την Οδηγία για τα Απόβλητα Ηλεκτρικού και Ηλεκτρονικού Εξοπλισμού (ΑΗΗΕ) (2012/19/ΕΕ), την Οδηγία για τις Ηλεκτρικές Στήλες (2006/66/ΕΚ) ή/και την εθνική νομοθεσία που εφαρμόζει τις Οδηγίες εκείνες. Εάν κάποιο χημικό σύμβολο είναι τυπωμένο κάτω από το σύμβολο που φαίνεται παραπάνω, σύμφωνα με την Οδηγία για τις Ηλεκτρικές Στήλες, υποδηλώνει ότι κάποιο βαρύ μέταλλο (Hg = Υδράργυρος, Cd = Κάδμιο, Pb = Μόλυβδος) υπάρχει στην μπαταρία ή τον συσσωρευτή σε συγκέντρωση μεγαλύτερη από το ισχύον επίπεδο που καθορίζεται στην Οδηγία για τις Ηλεκτρικές Στήλες. Αυτό το προϊόν πρέπει να παραδίδεται σε καθορισμένο σημείο συλλογής, π.χ. σε μια εξουσιοδοτημένη βάση ανταλλαγής όταν αγοράζετε ένα νέο παρόμοιο προϊόν ή σε μια εξουσιοδοτημένη θέση συλλογής για την ανακύκλωση των αποβλήτων ηλεκτρικού και ηλεκτρονικού εξοπλισμού (ΗΗΕ) και των ηλεκτρικών στηλών και συσσωρευτών. Ο ακατάλληλος χειρισμός αυτού του τύπου αποβλήτων μπορεί να έχει αρνητικό αντίκτυπο στο περιβάλλον και την υγεία του ανθρώπου, λόγω δυνητικά επικίνδυνων ουσιών



που γενικά συνδέονται με τον ΗΗΕ. Η συνεργασία σας για τη σωστή απόρριψη αυτού του προϊόντος θα συμβάλει στην αποτελεσματική χρήση των φυσικών πόρων. Για περισσότερες πληροφορίες σχετικά με ανακύκλωση αυτού του προϊόντος, επικοινωνήστε με το τοπικό γραφείο της πόλης σας, την υπηρεσία απορριμμάτων, το εγκεκριμένο σχήμα ή την υπηρεσία απόρριψης οικιακών αποβλήτων ή επισκεφθείτε τη διεύθυνση [www.canon-europe.com/weee](http://www.canon-europe.com/weee) ή [www.canon-europe.com/battery](http://www.canon-europe.com/battery).

## Gjelder kun den europeiske union og EØS (Norge, Island og Liechtenstein)



Disse symbolene indikerer at dette produktet ikke skal kastes sammen med husholdningsavfall, i henhold til WEEE-direktivet (2012/19/EU), batteridirektivet (2006/66/EF) og/eller nasjonal lov som har implementert disse direktivene. Hvis et kjemisk symbol vises under symbolet vist ovenfor, i samsvar med batteridirektivet, indikerer dette at et tungmetall (Hg = kvikksølv, Cd = kadmium, Pb = bly) finnes i batteriet eller akkumulatoren i en konsentrasjon over en gjeldende øvre grense som er spesifisert i batteridirektivet. Produktet må leveres til et dertil egnet innsamlingspunkt, det vil si på en autorisert en-til-en-basis når en kjøper et nytt lignende produkt, eller til et autorisert innsamlingssted for resirkulering av avfall fra elektrisk og elektronisk utstyr (EE-utstyr) og batterier og akkumulatorer. Feil håndtering av denne typen avfall kan være miljø- og helseskadelig på grunn av potensielt skadelige stoffer som ofte brukes i EE-utstyr. Din innsats for korrekt avhending av produktet vil bidra til effektiv bruk av naturressurser. Du kan få mer informasjon om resirkulering av dette produktet ved å kontakte lokale myndigheter, avfallsadministrasjonen, et godkjent program eller husholdningens renovasjonsselskap, eller gå til [www.canon-europe.com/weee](http://www.canon-europe.com/weee), eller [www.canon-europe.com/battery](http://www.canon-europe.com/battery).

## Vain Euroopan unionin sekä ETA:n (Norja, Islanti ja Liechtenstein) alueelle.



Nämä tunnukset osoittavat, että sähkö- ja elektroniikkalaiteromua koskeva direktiivi (SER-direktiivi, 2012/19/EU), paristoista ja akuista annettu direktiivi (2006/66/EY) sekä kansallinen lainsäädäntö kieltävät tuotteen hävittämisen talousjätteen mukana. Jos yllä olevan symbolin alapuolelle on paristodirektiivin mukaisesti painettu kemiallisen aineen tunnus, kyseinen paristo tai akku sisältää raskasmetalleja (Hg = elohopea, Cd = kadmium, Pb = lyijy) enemmän kuin paristodirektiivin salliman määrän. Tuote on vietävä asianmukaiseen keräyspisteeseen, esimerkiksi kodinkoneliikkeeseen uutta vastaavaa tuotetta ostettaessa tai viralliseen sähkö- ja elektroniikkalaiteromun tai paristojen ja akkujen keräyspisteeseen. Sähkö- ja elektroniikkalaiteromun virheellinen käsittely voi vahingoittaa ympäristöä ja ihmisten terveyttä, koska laitteet saattavat sisältää ympäristölle ja terveydelle haitallisia aineita. Tuotteen asianmukainen hävittäminen säästää myös luonnonvaroja. Jos haluat lisätietoja tämän tuotteen kierrätyksestä, ota yhteys kunnan jätehuoltoviranomaisiin tai käyttämäsi jätehuoltoyhtiöön tai käy osoitteessa [www.canon-europe.com/weee](http://www.canon-europe.com/weee), tai [www.canon-europe.com/battery](http://www.canon-europe.com/battery).

## Endast för Europeiska unionen och EES (Norge, Island och Liechtenstein)



De här symbolerna visar att produkten inte får sorteras och slängas som hushållsavfall enligt WEEE-direktivet (2012/19/EU), batteridirektivet (2006/66/EG) och/eller nationell lagstiftning som implementerar dessa direktiv. Om en kemisk symbol förekommer under ovanstående symbol innebär detta enligt Batteridirektivet att en tungmetall (Hg = Kvicksilver, Cd = Kadmium, Pb = Bly) förekommer i batteriet eller ackumulatorn med en koncentration som överstiger tillämplig gräns som anges i Batteridirektivet. Produkten ska lämnas in på en avsedd insamlingsplats, t.ex. på en återvinningsstation auktoriserad att hantera elektrisk och elektronisk utrustning (EE-utrustning) samt batterier och ackumulatörer eller hos handlare som är auktoriserade att byta in varor då nya, motsvarande köps (en mot en). Olämplig hantering av avfall av den här typen kan ha negativ inverkan på miljön och människors hälsa på grund av de potentiellt farliga ämnen som kan återfinnas i elektrisk och elektronisk utrustning. Din medverkan till en korrekt avfallshantering av produkten bidrar till effektiv användning av naturresurserna. Om du vill ha mer information om var du kan lämna in den här produkten, kontakta ditt lokala kommunkontor, berörd myndighet eller företag för avfallshantering eller se [www.canon-europe.com/weee](http://www.canon-europe.com/weee), eller [www.canon-europe.com/battery](http://www.canon-europe.com/battery).

## Pouze Evropská unie a EHP (Norsko, Island a Lichtenštejnsko)



Tento symbol znamená, že podle směrnice OEEZ (2012/19/EU), směrnice o bateriích (2006/66/ES) a/ nebo podle vnitrostátních právních prováděcích předpisů k těmto směrnici nemá být tento výrobek likvidován s odpadem z domácností. Je-li v souladu s požadavky směrnice o bateriích vytištěna pod výše uvedeným symbolem chemická značka, udává, že tato baterie nebo akumulátor obsahuje těžké kovy (Hg = rtuť, Cd = kadmium, Pb = olovo) v koncentraci vyšší, než je příslušná hodnota předepsaná směrnici. Tento výrobek má být vrácen do určeného sběrného místa, např. v rámci autorizovaného systému odběru jednoho výrobku za jeden nově prodaný podobný výrobek, nebo do autorizovaného sběrného místa pro recyklaci odpadních elektrických a elektronických zařízení (OEEZ), baterií a akumulátorů. Nevhodné nakládání s tímto druhem odpadu by mohlo mít negativní dopad na životní prostředí a lidské zdraví, protože elektrická a elektronická zařízení zpravidla obsahují potenciálně nebezpečné látky. Vaše spolupráce na správné likvidaci tohoto výrobku napomůže efektivnímu využívání přírodních zdrojů. Chcete-li získat podrobné informace týkající se recyklace tohoto výrobku, obraťte se prosím na místní úřad, orgán pro nakládání s odpady, schválený systém nakládání s odpady či společnost zajišťující likvidaci domovního odpadu, nebo navštivte webové stránky [www.canon-europe.com/weee](http://www.canon-europe.com/weee) nebo [www.canon-europe.com/battery](http://www.canon-europe.com/battery).

## Csak az Európai Unió és az EGT (Norvégia, Izland és Liechtenstein) országában



Ezek a szimbólumok azt jelzik, hogy a termék hulladékkezelése a háztartási hulladéktól különválasztva, az elektromos és elektronikus berendezések hulladékairól (WEEE) szóló (2012/19/EU) irányelvnek és az elemekről és akkumulátorokról, valamint a hulladék elemekről és akkumulátorokról szóló (2006/66/EK) irányelvnek megfelelően és/vagy ezen irányelveknek megfelelő helyi előírások szerint történik.

Amennyiben a fent feltüntetett szimbólum alatt egy vegyjel is szerepel, az elemekről és akkumulátorokról szóló irányelvben foglaltak értelmében ez azt jelzi, hogy az elem vagy az akkumulátor az irányelvben meghatározott határértéknél nagyobb mennyiségben tartalmaz nehézfémet (Hg = higany, Cd = kadmium, Pb = ólom). E terméket az arra kijelölt gyűjtőhelyre kell juttatni – pl. hasonló termék vásárlásakor a régi becserélésére vonatkozó hivatalos program keretében, vagy az elektromos és elektronikus berendezések (EEE) hulladékainak gyűjtésére, valamint a hulladék elemek és hulladék akkumulátorok gyűjtésére kijelölt hivatalos gyűjtőhelyre. Az ilyen jellegű hulladékok nem előírászerű kezelése az elektromos és elektronikus berendezésekhez (EEE) általánosan kapcsolható potenciálisan veszélyes anyagok révén hatással lehet a környezetre és az egészségre. E termék megfelelő leselejtezésével Ön is hozzájárul a természeti források hatékony használatához. A termék újrahasznosítását illetően informálódjon a helyi polgármesteri hivatalnál, a helyi közterület-fenntartó vállalatnál, a hivatalos hulladéklerakó telephelyen vagy a háztartási hulladék begyűjtését végző szolgáltatónál, illetve látogasson el a [www.canon-europe.com/weee](http://www.canon-europe.com/weee), vagy [www.canon-europe.com/battery](http://www.canon-europe.com/battery) internetes oldalra.

## Tylko dla krajów Unii Europejskiej oraz EOG (Norwegia, Islandia i Liechtenstein)



Te symbole oznaczają, że produktu nie należy wyrzucać razem z odpadami gospodarstwa domowego, zgodnie z dyrektywą WEEE w sprawie zużytego sprzętu elektrycznego i elektronicznego (2012/19/UE) lub dyrektywą w sprawie baterii (2006/66/WE) bądź przepisami krajowymi wdrażającymi te dyrektywy.

Jeśli pod powyższym symbolem znajduje się symbol chemiczny, zgodnie z dyrektywą w sprawie baterii oznacza to, że bateria lub akumulator zawiera metal ciężki (Hg = rtęć, Cd = kadm, Pb = ołów) w stężeniu przekraczającym odpowiedni poziom określony w dyrektywie w sprawie baterii.

Użytkownicy baterii i akumulatorów mają obowiązek korzystać z dostępnego programu zwrotu, recyklingu i utylizacji baterii oraz akumulatorów. Niewłaściwe postępowanie z tego typu odpadami może mieć wpływ na środowisko i zdrowie ludzi ze względu na substancje potencjalnie niebezpieczne, związane ze zużytym sprzętem elektrycznym i elektronicznym. Państwa współpraca w zakresie właściwej utylizacji tego produktu przyczyni się do efektywnego wykorzystania zasobów naturalnych. W celu uzyskania informacji o sposobie recyklingu tego produktu prosimy o kontakt z właściwym urzędem miejskim lub zakładem gospodarki komunalnej bądź zapraszamy na stronę [www.canon-europe.com/weee](http://www.canon-europe.com/weee), lub [www.canon-europe.com/battery](http://www.canon-europe.com/battery).

## Platí len pre štáty Európskej únie a EHP (Nórsko, Island a Lichtenštajnsko)



Tieto symboly označujú, že podľa Smernice o odpade z elektrických a elektronických zariadení (OEEZ) 2012/19/EÚ, Smernice o batériách (2006/66/ES) a podľa platnej legislatívy Slovenskej republiky sa tento produkt nesmie likvidovať spolu s komunálnym odpadom. Ak je chemická značka vytlačená pod vyššie uvedeným symbolom, znamená to, že táto batéria alebo akumulátor obsahuje ťažký kov (Hg = ortuť, Cd = kadmium, Pb = olovo) v koncentrácii vyššej, ako je príslušná povolená hodnota stanovená v Smernici o batériách. Produkt je potrebné odovzdať do určenej zberne, napr. prostredníctvom výmeny za kúpu nového podobného produktu, alebo na autorizované zberné miesto, ktoré spracúva odpad z elektrických a elektronických zariadení (EEZ), batérií a akumulátorov. Nesprávna manipulácia s takýmto typom odpadu môže mať negatívny vplyv na životné prostredie a ľudské zdravie, pretože elektrické a elektronické zariadenia obsahujú potenciálne nebezpečné látky. Spoluprácou na správnej likvidácii tohto produktu prispějete k účinnému využívaniu prírodných zdrojov. Ďalšie informácie o recyklácii tohto produktu získate od miestneho úradu, úradu životného prostredia, zo schváleného plánu OEEZ alebo od spoločnosti, ktorá zaisťuje likvidáciu komunálneho odpadu. Viac informácií nájdete aj na webovej stránke: [www.canon-europe.com/weee](http://www.canon-europe.com/weee), alebo [www.canon-europe.com/battery](http://www.canon-europe.com/battery).

## Üksnes Euroopa Liit ja EMP (Norra, Island ja Liechtenstein)



Antud sümbolid viitavad sellele, et vastavalt elektri- ja elektroonikaseadmete jäätmeid käsitlevale direktiivile (2012/19/EL), patareisid ja akusid ning patarei- ja akujäätmeid käsitlevale direktiivile (2006/66/EÜ) ja/või nimetatud direktiive rakendavatele riiklikele õigusaktidele ei või seda toodet koos olmejäätmetega ära visata. Kui keemiline sümbol on trükitud eespool toodud sümboli alla, siis tähendab see, et antud patareis või akus leiduva raskemetalli (Hg = elavhõbe, Cd = kaadmium, Pb = plii) kontsentratsioonitase on kõrgem kui patareisid ja akusid ning patarei- ja akujäätmeid käsitlevas direktiivis sätestatud piirmäär. Antud tootest tekkinud jäätmed tuleb anda vastavasse kogumispunkti, nt müügipunkti, mis on volitatud üks ühe vastu vahetama, kui ostate uue sarnase toote, või vastavasse elektri- ja elektroonikaseadmete jäätmete ning patareide ja akude ümbertöötlemiseks mõeldud kogumispunkti. Antud liiki jäätmete vale käitlemine võib kahjustada keskkonda ja inimeste tervist elektri- ja elektroonikajäätmetes tavaliselt leiduvate potentsiaalselt ohtlike ainete tõttu. Antud tootest tekkinud jäätmete nõuetekohase kõrvaldamisega aitate kasutada loodusvarasid efektiivselt. Täiendava teabe saamiseks elektri- ja elektroonikaseadmetest tekkinud jäätmete ning patarei- ja akujäätmete tagastamise ja ümbertöötlemise kohta võtke ühendust kohaliku omavalitsusega, asjakohase valitsusasutusega, asjakohase tootjavastutusorganisatsiooniga või olmejäätmete käitlejaga. Lisateavet leitate ka Interneti-leheküljelt [www.canon-europe.com/weee](http://www.canon-europe.com/weee) või [www.canon-europe.com/battery](http://www.canon-europe.com/battery).

## Tikai Eiropas Savienībai un EEZ (Norvēģijai, Islandei un Lihtenšteinai)



Šie simboli norāda, ka atbilstoši ES Direktīvai (2012/19/ES) par elektrisko un elektronisko iekārtu atkritumiem (EEIA), Direktīvai (2006/66/EK) par baterijām un akumulatoriem, un akumulatoru atkritumiem, ar ko atceļ Direktīvu 91/157/EEK, un vietējiem tiesību aktiem šo izstrādājumu nedrīkst izmest kopā ar sadzīves atkritumiem. Ja zem iepriekš norādītā simbola ir uzdrukāts ķīmiskais simbols, saskaņā ar direktīvu par baterijām un akumulatoriem tas nozīmē, ka šīs baterijas vai akumulatori satur smagos metālus (Hg = dzīvsudrabs, Cd = kadmījs, Pb = svins) un to koncentrācijas līmenis pārsniedz direktīvā par baterijām un akumulatoriem minēto piemērojamo sliekšni. Šis izstrādājums ir jānodod piemērotā savākšanas vietā, piemēram, apstiprinātā veikalā, kur iegādājaties līdzīgu jaunu produktu un atstājat veco, vai apstiprinātā vietā izlietotu elektrisko un elektronisko iekārtu un bateriju un akumulatoru pārstrādei. Nepareiza šāda veida atkritumu apsaimniekošana var apdraudēt vidi un cilvēka veselību tādu iespējami bīstamu vielu dēļ, kas parasti ir elektriskajās un elektroniskajās iekārtās. Jūsu atbalsts pareizā šāda veida atkritumu apsaimniekošanā sekmēs efektīvu dabas resursu izmantošanu. Lai saņemtu pilnīgāku informāciju par šāda veida izstrādājumu nodošanu otrreizējai pārstrādei, sazinieties ar vietējo pašvaldību, atkritumu savākšanas atbildīgo dienestu, pilnvaroto organizāciju vai iestādi, kas veic sadzīves atkritumu apsaimniekošanu, vai apmeklējiet tīmekļa vietni [www.canon-europe.com/weee](http://www.canon-europe.com/weee), vai [www.canon-europe.com/battery](http://www.canon-europe.com/battery).

## Tik Europos Sąjungai ir EEE (Norvegijai, Islandijai ir Lichtenšteinui)



Šie simbolie reiškia, kad šio gaminių negalima išmesti į buitines atliekas, kaip reikalaujama WEEE Direktyvoje (2012/19/ES) ir Baterijų direktyvoje (2006/66/EB) ir (ar) jūsų šalies nacionaliniuose įstatymuose, kuriais šios Direktyvos yra įgyvendinamos. Jeigu cheminio ženklo simbolis yra nurodytas žemiau šio ženklo, tai reiškia, kad vadovaujantis Baterijų direktyvą, baterijų ar akumuliatorių sudėtyje yra sunkiųjų metalų (Hg = gyvsidabris, Cd = kadmio, Pb = švino), kurių koncentracija viršija Baterijų direktyvoje nurodytas leistinas ribas. Šį gaminį reikia pristatyti į specialųjį surinkimo punktą, pavyzdžiui, mainais, kai jūs perkate naują panašų gaminį, arba į specialiąją surinkimo vietą, kurioje perdirbamos elektrinės ir elektroninės įrangos atliekos bei naudotos baterijos ir akumuliatoriai. Dėl netinkamo šio tipo atliekų tvarkymo gali nukentėti aplinka ir iškilti grėsmė žmogaus sveikatai dėl galimai kenksmingų medžiagų, iš esmės susijusių su elektrine ir elektronine įranga. Bendradarbiaudami ir teisingai utilizuodami šiuos gaminius, jūs padėsite efektyviai naudoti gamtinius išteklius. Daugiau informacijos apie gaminių perdirbimą jums gali suteikti vietinis biuras, atliekų tvarkymo bendrovė, sertifikuoti organai ar buitinių atliekų surinkimo įmonės. Taip pat siūloma apsilankyti interneto svetainėje [www.canon-europe.com/weee](http://www.canon-europe.com/weee), arba [www.canon-europe.com/battery](http://www.canon-europe.com/battery).

## Samo za Evropsko unijo in EGP (Norveška, Islandija in Lihtenštajn)



Ti simboli pomenijo, da tega izdelka skladno z Direktivo OEEEO (2012/19/EU), Direktivo 2006/66/ES in/ali nacionalno zakonodajo, ki uvaja ti direktivi, ne smete odlagati z nesortiranimi gospodinjskimi odpadki. Če je pod zgoraj prikazanim simbolom natisnjen kemijski simbol, to v skladu z Direktivo pomeni, da je v tej bateriji ali akumulatorju prisotna težka kovina (Hg = živo srebro, Cd = kadmij, Pb = svinec), in sicer v koncentraciji, ki je nad relevantno mejno vrednostjo, določeno v Direktivi. Ta izdelek je potrebno odnesti na izbrano zbirno mesto, t. j. pooblaščenega trgovino, kjer ob nakupu novega (podobnega) izdelka vrnete starega, ali na pooblaščenega zbirno mesto za ponovno uporabo odpadne električne in elektronske opreme (EEO) ter baterij in akumulatorjev. Neustrezno ravnanje s to vrsto odpadkov lahko negativno vpliva na okolje in človeško zdravje zaradi potencialno nevarnih snovi, ki so pogosto povezane z EEO. Vaše sodelovanje pri pravilnem odlaganju tega izdelka predstavlja pomemben prispevek k smotrni izrabi naravnih virov. Za več informacij o ponovni uporabi tega izdelka se obrnite na lokalni mestni urad, pristojno službo za odpadke, predstavnika pooblaščenega programa za obdelavo odpadkov ali na lokalno komunalno. Lahko pa tudi obiščete našo spletno stran [www.canon-europe.com/weeee](http://www.canon-europe.com/weeee), ali [www.canon-europe.com/battery](http://www.canon-europe.com/battery).

## Само за Европейския съюз и ЕИП (Норвегия, Islandия и Лихтенщайн)



Тези символи показват, че този продукт не трябва да се изхвърля заедно с битовите отпадъци съгласно Директивата за ИУЕЕО (2012/19/ЕС), Директивата за батерии (2006/66/ЕО) и/или Вашето национално законодателство, прилагащо тези Директиви. Ако под показания горе символ е отпечатан символ за химически елемент, съгласно разпоредбите на Директивата за батерии, този втори символ означава наличието на тежък метал (Hg = живак, Cd = кадмий, Pb = олово) в батерията или акумулатора в концентрация над указаната граница за съответния елемент в Директивата. Този продукт трябва да бъде предаден в предназначен за целта пункт за събиране, например на база размяна, когато купувате нов подобен продукт, или в одобрен събирателен пункт за рециклиране на излязло от употреба електрическо и електронно оборудване (ИУЕЕО), батерии и акумулатори. Неправилното третиране на този тип отпадъци може да доведе до евентуални отрицателни последици за околната среда и човешкото здраве поради потенциално опасните вещества, които обикновено са свързани с ЕЕО. В същото време Вашето съдействие за правилното изхвърляне на този продукт ще допринесе за ефективното използване на природните ресурси. За повече информация относно това къде можете да предадете за рециклиране на този продукт, моля свържете се с Вашите местни власти, с органа, отговорен за отпадъците, с одобрената система за ИУЕЕО или с Вашата местна служба за битови отпадъци, или посетете [www.canon-europe.com/weeee](http://www.canon-europe.com/weeee), или [www.canon-europe.com/battery](http://www.canon-europe.com/battery).

## Doar pentru Uniunea Europeană și EEA (Norvegia, Islanda și Liechtenstein)



Aceste simboluri indică faptul că acest produs nu trebuie aruncat împreună cu deșeurile menajere, în conformitate cu Directiva DEEE (2012/19/UE), Directiva referitoare la baterii (2006/66/CE) și/sau legile dvs. naționale ce implementează aceste Directive. Dacă un simbol chimic este imprimat sub simbolul de mai sus, în conformitate cu Directiva referitoare la baterii, acest simbol indică prezența în baterie sau acumulator a unui metal greu (Hg = Mercur, Cd = Cadmiu, Pb = Plumb) într-o concentrație mai mare decât pragul admis specificat în Directiva referitoare la baterii. Acest produs trebuie înmănat punctului de colectare adecvat, ex: printr-un schimb autorizat unu la unu atunci când cumpărați un produs nou similar sau la un loc de colectare autorizat pentru reciclarea reziduurilor de echipament electric și electronic (EEE) și baterii și acumulatori. Administrarea neadecvată a acestui tip de deșeuri, ar putea avea un impact asupra mediului și asupra sănătății umane datorită substanțelor cu potențial de risc care sunt în general asociate cu EEE. Cooperarea dvs. în direcția reciclării corecte a acestui produs va contribui la o utilizare eficientă a resurselor naturale. Pentru mai multe informații despre reciclarea acestui produs, vă rugăm să contactați biroul dvs. local, autoritățile responsabile cu deșeurile, schema aprobată sau serviciul dvs. responsabil cu deșeurile menajere sau vizitați-ne la [www.canon-europe.com/weee](http://www.canon-europe.com/weee), sau [www.canon-europe.com/battery](http://www.canon-europe.com/battery).

## Samo za Europsku uniju i EEA (Norveška, Island i Lihtenštajn)



Oznaka pokazuje da se ovaj proizvod ne smije odlagati s komunalnim i ostalim vrstama otpada, u skladu s direktivom WEEE (2012/19/EC), Direktivom o baterijama (2006/66/EC) i Pravilnikom o gospodarenju otpadnim baterijama i akumulatorima te Pravilnikom o gospodarenju otpadnim električnim i elektroničkim uređajima i opremom. Ako je ispod prethodno prikazane oznake otisnut kemijski simbol, u skladu s Direktivom o baterijama, to znači da se u ovoj bateriji ili akumulatoru nalazi teški metal (Hg = živa, Cd = kadmij, Pb = olovo) i da je njegova koncentracija iznad razine propisane u Direktivi o baterijama. Ovaj bi proizvod trebalo predati ovlaštenom skupljaču EE otpada ili prodavatelju koji je dužan preuzeti otpadni proizvod po sistemu jedan za jedan, ukoliko isti odgovara vrsti te je obavljao primarne funkcije kao i isporučena EE oprema. Otpadne baterije i akumulatori predaju se ovlaštenom skupljaču otpadnih baterija ili akumulatora ili prodavatelju bez naknade i obveze kupnje za krajnjeg korisnika. Neodgovarajuće rukovanje ovom vrstom otpada može utjecati na okoliš i ljudsko zdravlje zbog potencijalno opasnih supstanci koje se najčešće nalaze na takvim mjestima. Vaša suradnja u pravilnom zbrinjavanju ovog proizvoda pridonijet će djelotvornom iskorištavanju prirodnih resursa. Dodatne informacije o recikliranju ovog proizvoda zatražite od svog lokalnog gradskog ureda, službe za zbrinjavanje otpada, odobrenog programa ili komunalne službe za uklanjanje otpada ili pak na stranicama [www.canon-europe.com/weee](http://www.canon-europe.com/weee) ili [www.canon-europe.com/battery](http://www.canon-europe.com/battery).

## Korisnici u Srbiji



Ovaj simbol označava da ovaj proizvod ne sme da se odlaže sa ostalim kućnim otpadom, u skladu sa WEEE Direktivom (2012/19/EU), Direktivom o baterijama (2006/66/EC) i nacionalnim zakonima. Ukoliko je ispod gore navedenog simbola odštampan hemijski simbol, u skladu sa Direktivom o baterijama, ovaj simbol označava da su u ovoj bateriji ili akumulatoru prisutni teški metali (Hg – živa, Cd – kadmijum, Pb - olovo) u koncentracijama koje premašuju prihvatljivi prag naveden u Direktivi o baterijama. Ovaj proizvod treba predati određenom centru za prikupljanje, npr. po principu „jedan-za-jedan“ kada kupujete sličan novi proizvod, ili ovlašćenom centru za prikupljanje za reciklažu istrošene električne i elektronske opreme (EEE), baterija i akumulatora. Nepravilno rukovanje ovom vrstom otpada može imati negativne posledice po životnu sredinu i ljudsko zdravlje usled potencijalno opasnih materijala koji se uglavnom vezuju za EEE. Vaša saradnja na ispravnom odlaganju ovog proizvoda će doprineti efikasnom korišćenju prirodnih resursa. Više informacija o tome kako možete da recikirate ovaj proizvod potražite od lokalnih gradskih vlasti, komunalne službe, odobrenog plana reciklaže ili servisa za odlaganje kućnog otpada, ili posetite stranicu [www.canon-europe.com/weee](http://www.canon-europe.com/weee), ili [www.canon-europe.com/battery](http://www.canon-europe.com/battery).



## When Repairing, Lending, or Disposing of the Printer

---

If you have entered personal data, passwords and/or other security settings on the printer, such information may be stored in the printer.

When sending the printer for repair, lending or transferring the printer to another person, or disposing of the printer, please be sure to follow the steps below in order to delete such information and prevent third parties from accessing it.

➔ [Initializing Printer's Setting](#)

## Online Manual

---

This manual has been confirmed to be displayed on the following web browsers (latest version).

- Windows device  
Microsoft Edge and Google Chrome
- macOS/iOS/iPadOS device  
Safari
- Android device  
Google Chrome

\* Set your browser to allow cookies and enable JavaScript.

## Screenshots in This Manual

For Windows:

The screenshots used in this manual are taken with Windows 10.

For macOS:

The screenshots used in this manual are taken with macOS Catalina 10.15.

# Enhanced Printing Options

---

## ► Printing from Your Computer (Windows)

- Printing with Easy Setup **♥Basics**
  - Changing the Type of Paper
- Setting the Number of Copies and Printing Order
- Printing Photos and Business Documents
  - Printing By Setting Print Purpose
  - Edit in PosterArtist and Print
- Changing the Print Quality and Correcting Image Data
  - Adjusting Color Balance
  - Setting the Print Quality Level (Custom)
  - Printing a Color Document in Monochrome
  - Specifying Color Correction
    - Optimal Photo Printing of Image Data
    - Adjusting Colors with the Printer Driver
    - Printing with ICC Profiles
  - Adjusting Brightness
  - Adjusting Contrast
  - Printing Using Detailed Setting Mode
- Scaled Printing
- Printing to Oversized Paper Sizes
- Setting Paper Dimensions (Custom Size)
- Set a Custom Size Roll Width
- Printing without Edges Based on the Scenarios
  - Printing without Margins to Match Paper Size
  - Printing without Margins to Match Roll Paper Width
  - Printing Full-Size without Margins
  - Three-sided Borderless Printing on Roll Paper

- Printing Hanging and Horizontal Banners (Large-Format Printing)
- Printing by Dividing/Joining Documents
  - Inputting Multiple-file Documents into Free Layout plus
  - Lining Up and Printing Multiple Documents to Cut Sheets
  - Printing by Connecting Multiple Pages
  - Printing Multiple Pages All on One Page
  - Dividing and Printing Posters
- Printing Document in Center of Paper
- Printing by Saving Roll Paper
  - Saving Roll Paper by Rotating Document 90 Degrees
  - Saving Roll Paper by Eliminating Upper and Lower Margins on Document
- Switching the Paper Source to Match the Purpose
- Displaying the Print Results before Printing
- Link with PosterArtist to print with bright colors
- Specify Fluorescent Colors and Print
- Other Convenient Settings
  - Stamp Printing
    - Registering a Stamp
  - Setting a Page Size and Orientation
  - Registering a Frequently Used Printing Profile
  - Cutting Roll Paper after Printing

► **Printing from Computer (macOS)**

- Printing with Easy Setup 📄 **Basics**
  - Changing the Type of Paper
- Setting the Number of Copies and Printing Order
- Changing the Print Quality and Correcting Image Data
  - Adjusting Color Balance
  - Setting the Print Quality Level (Custom)

- Printing a Color Document in Monochrome
- Specifying Color Correction
  - Optimal Photo Printing of Image Data
  - Adjusting Colors with the Printer Driver
  - Printing with ICC Profiles (Specifying an ICC Profile from the Application Software)
  - Printing with ICC Profiles (Specifying an ICC Profile from the Printer Driver)
- Adjusting Brightness
- Adjusting Contrast
- Scaled Printing
- Printing to Oversized Paper Sizes
- Setting Paper Dimensions (Custom Size)
- Set a Custom Size Roll Width
- Print Area
- Printing without Edges Based on the Scenarios
  - Printing without Margins to Match Roll Paper Width
  - Printing Full-Size without Margins
  - Three-sided Borderless Printing on Roll Paper
- Printing Hanging and Horizontal Banners (Large-Format Printing)
- Printing by Dividing/Joining Documents
  - Lining Up and Printing Multiple Documents
  - Printing by Connecting Multiple Pages
  - Printing Multiple Pages All on One Page
- Printing Document in Center of Paper
- Printing by Saving Roll Paper
  - Saving Roll Paper by Rotating Document 90 Degrees
  - Saving Roll Paper by Eliminating Upper and Lower Margins on Document
- Switching the Paper Source to Match the Purpose
- Cutting Roll Paper after Printing
- Specify Fluorescent Colors and Print

- Printing Using AirPrint

- **Printing from Printer**

- Printing Data Saved on USB Flash Drive

- **Printing from Smartphone/Tablet**

- Print Easily from a Smartphone or Tablet with Canon PRINT Inkjet/SELPHY

- Printing from iOS Device (AirPrint)

- **Enlarging Copy with imageRUNNER ADVANCE**

## Printing from Computer (macOS)

---

- **Printing with Easy Setup** 📌 **Basic**
- **Setting the Number of Copies and Printing Order**
- **Changing the Print Quality and Correcting Image Data**
- **Scaled Printing**
- **Printing to Oversized Paper Sizes**
- **Setting Paper Dimensions (Custom Size)**
- **Set a Custom Size Roll Width**
- **Print Area**
- **Prints without Edges Based on the Scenarios**
- **Printing Hanging and Horizontal Banners (Large-Format Printing)**
- **Printing by Dividing/Joining Documents**
- **Printing Document in Center of Paper**
- **Printing by Saving Roll Paper**
- **Switching the Paper Source to Match the Purpose**
- **Cutting Roll Paper after Printing**
- **Specify Fluorescent Colors and Print**
- **Printing Using AirPrint**

## Printing with Easy Setup

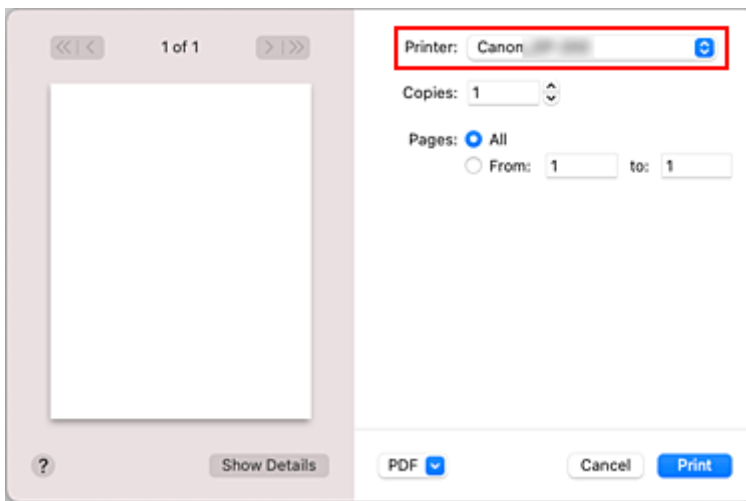
The simple setup procedure for carrying out appropriate printing on this printer is as follows:

1. [Check that printer is turned on](#)
2. Load paper on the printer

Set [roll paper](#) or [cut paper](#).

3. Select the printer

Select your model from the **Printer** list in the [Print Dialog](#).



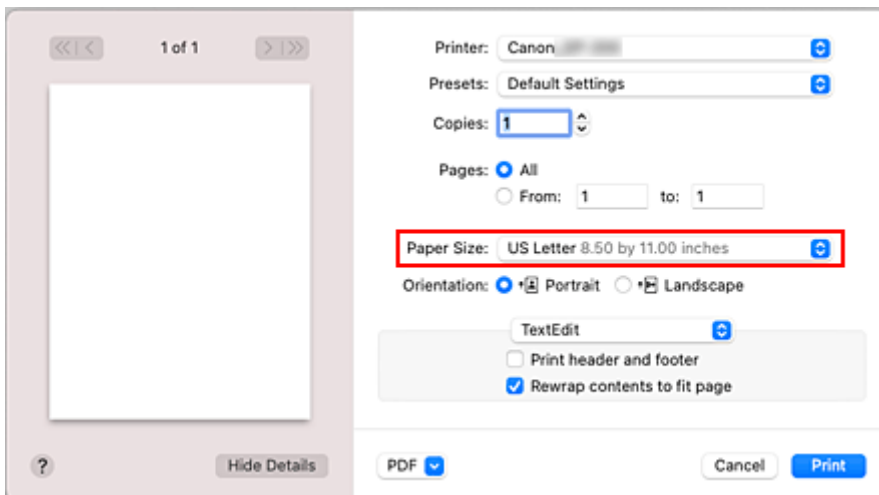
### ►►► Note

- Click **Show Details** to switch the Setup window to the detailed display. However, depending on the application you are using, **Show Details** may not be displayed.

4. Select the paper size

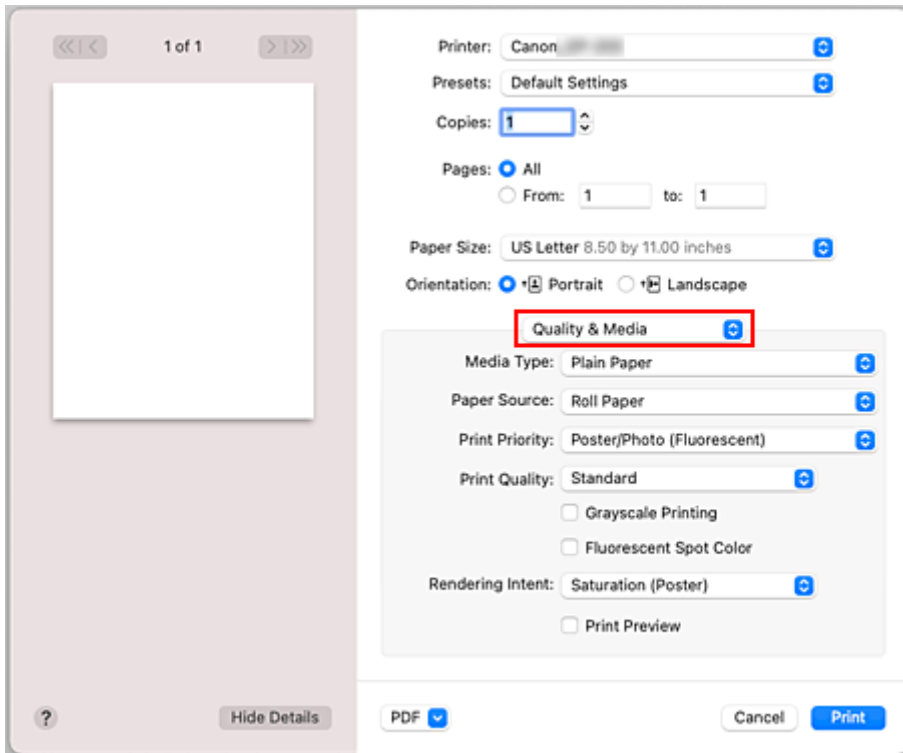
For **Paper Size**, select the paper size to be used.

If necessary, set the number of copies, the pages to be printed, and the orientation.



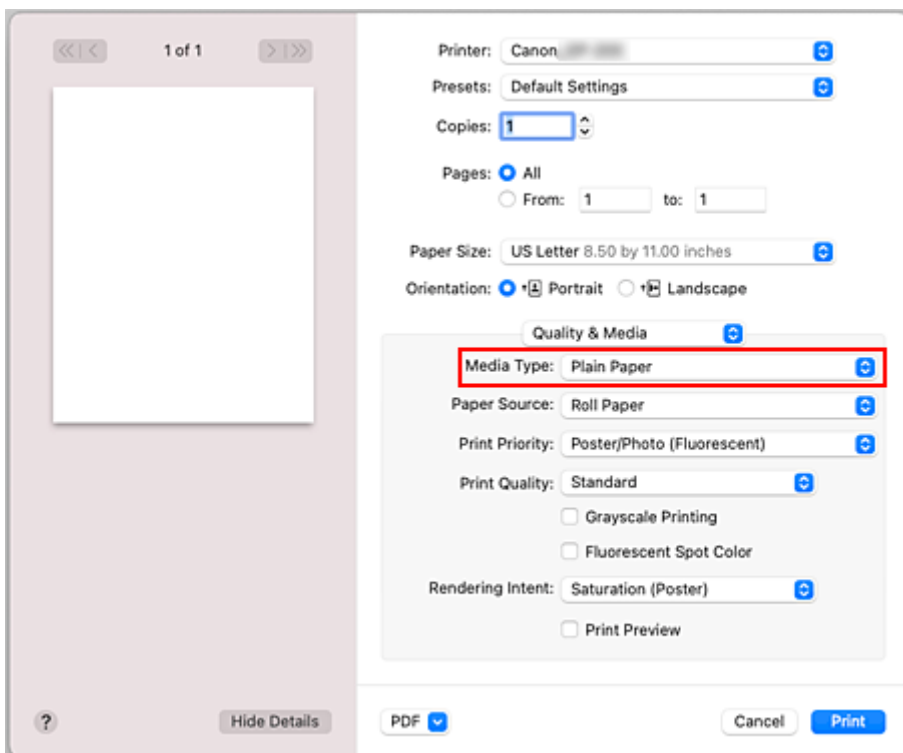


5. Select **Quality & Media** from the pop-up menu



6. Select the media type

For **Media Type**, select the same paper type loaded in the printer.



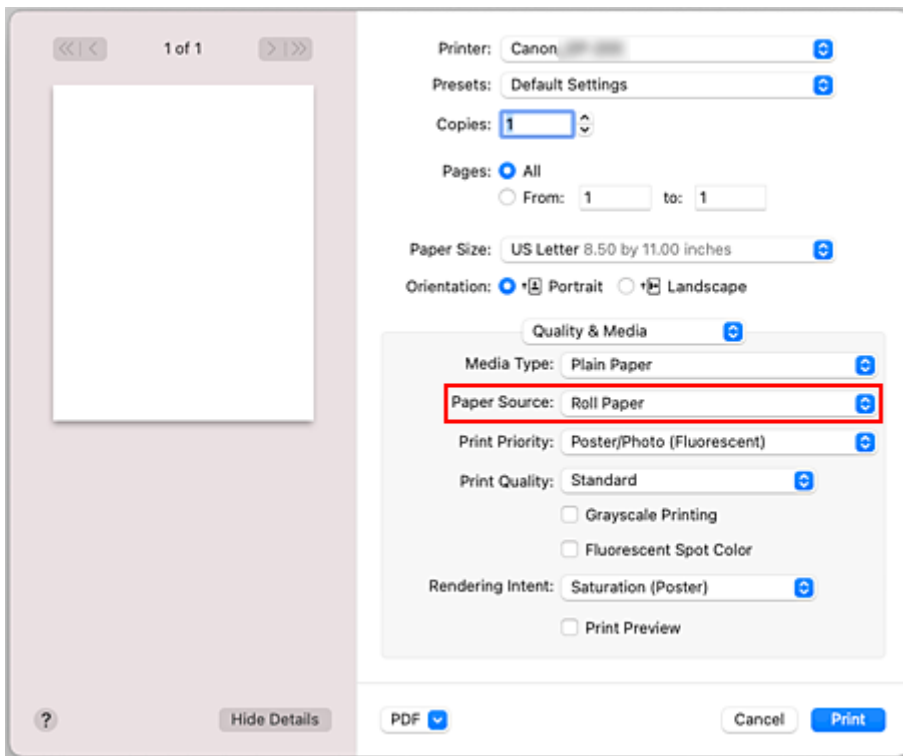
»» Important

- In the **Presets** section, click **Save Current Settings as Preset...** to [register the specified settings](#).

- See "Paper Information List" for Canon authentic paper or Canon output check paper.

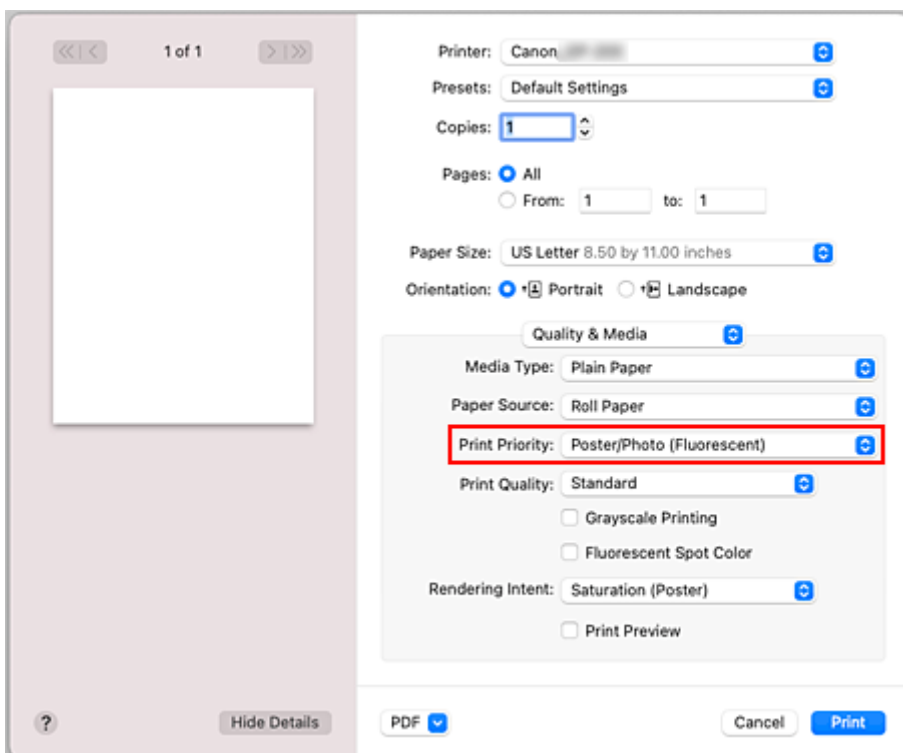
## 7. Select the paper source

For **Paper Source**, select the setting that matches your purpose.



## 8. Select print priority

For **Print Priority**, select **Poster/Photo** or **Poster/Photo (Fluorescent)** according to your purpose.



## ▶▶▶ Important

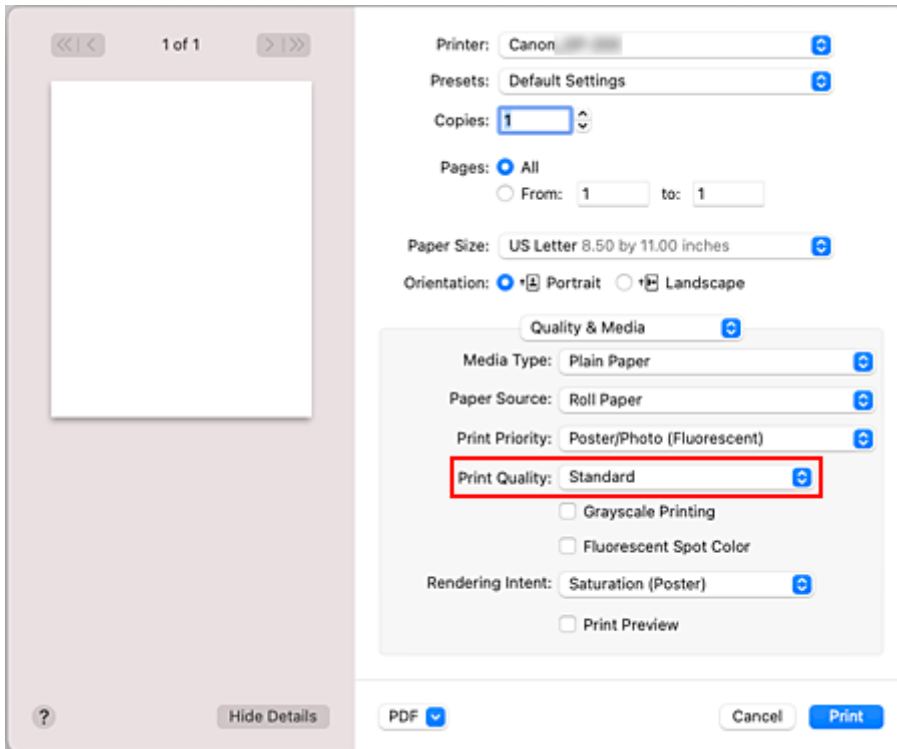
- The selectable print priority differs depending on media type settings.

## ▶▶▶ Note

- Under initial settings, **Print Priority** is set to **Poster/Photo (Fluorescent)**, so your print data will be printed with bright colors overall.

### 9. Select the print quality

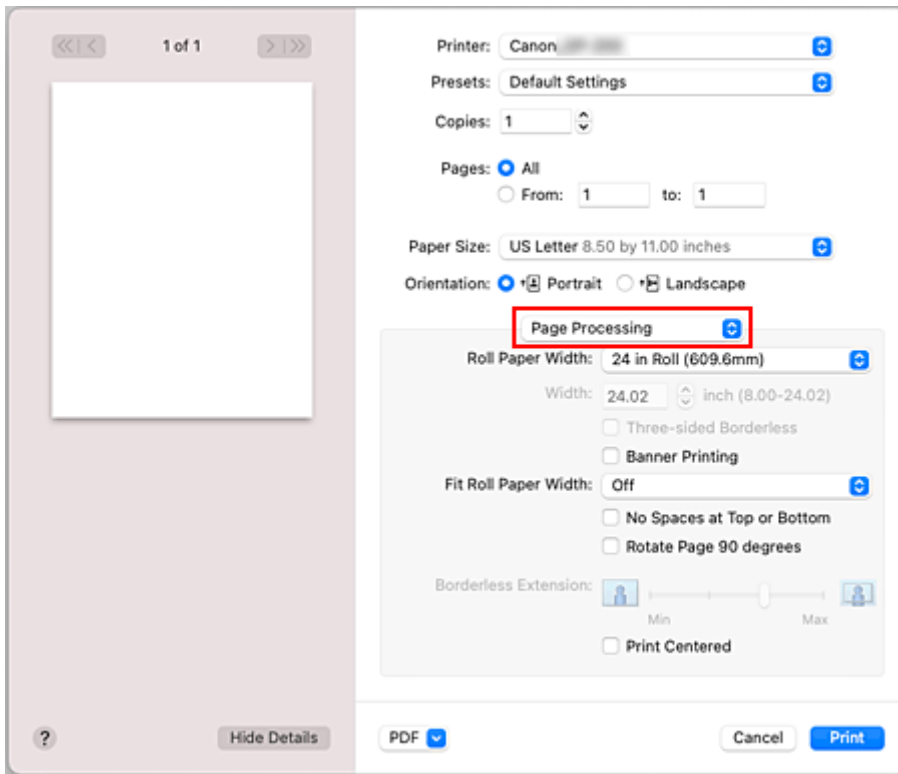
For **Print Quality**, select **High**, **Standard** or **Fast** according to your purpose.



## ▶▶▶ Important

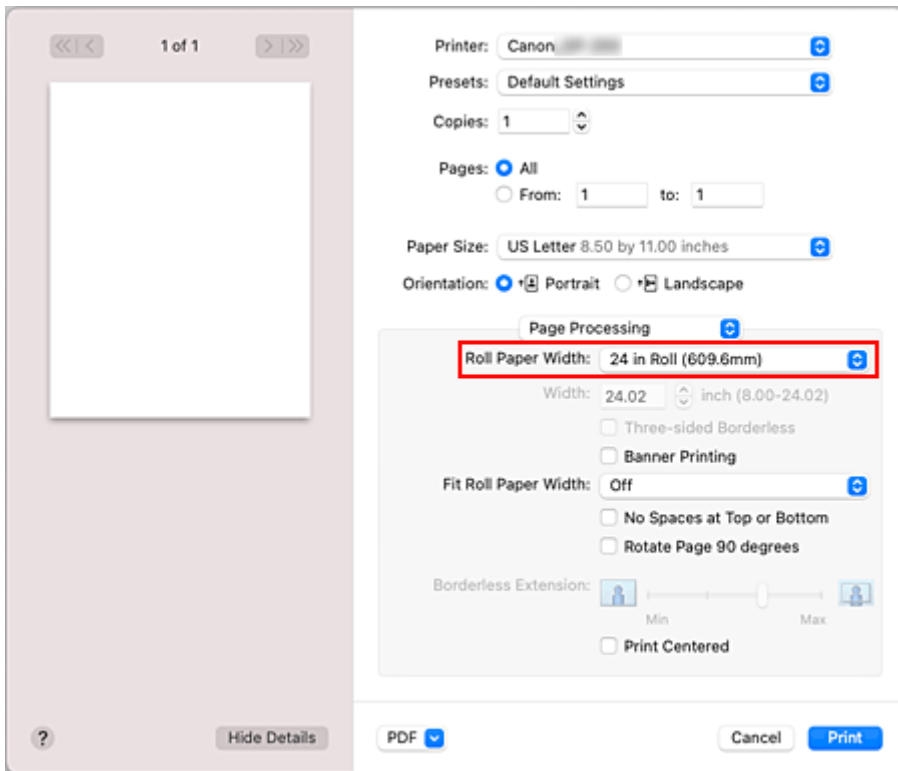
- The print quality settings that can be selected may differ depending on a printing profile.

### 10. Select **Page Processing** from the pop-up menu



## 11. Selecting Roll Paper Width

If you selected a roll paper for **Paper Source** in **Quality & Media**, set **Roll Paper Width** to the width of the roll paper loaded in the printer.



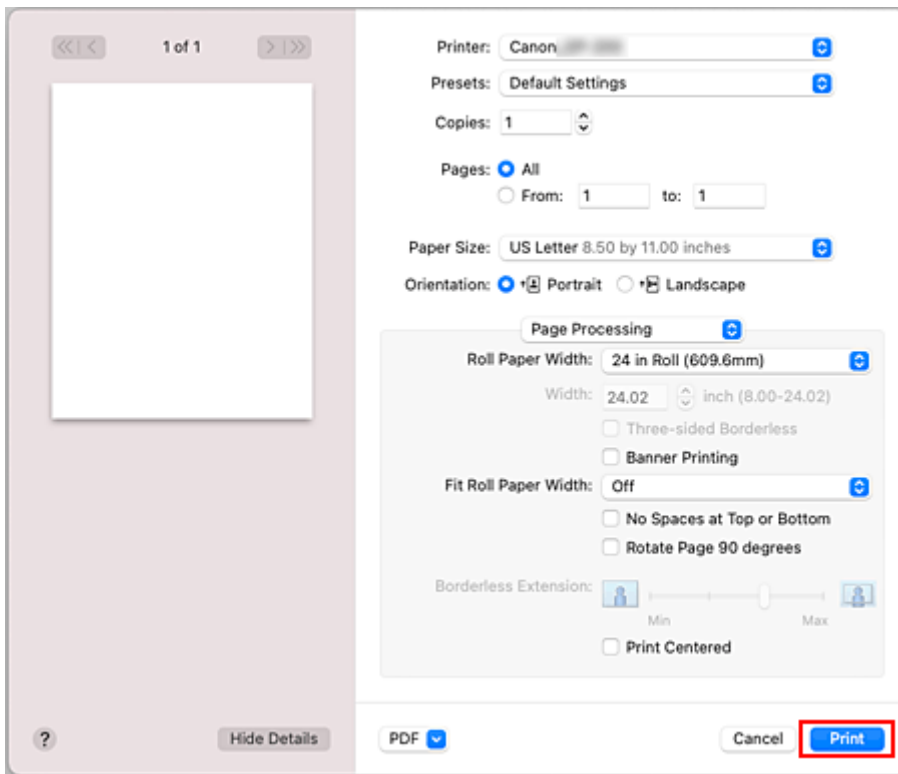
### »»» Important

- If cut sheet is selected for the paper source, **Roll Paper Width** is grayed out and cannot be set.

## 12. Complete the setup

Click **Print**.

When you execute print, the document will be printed in accordance with the type and size of the media.

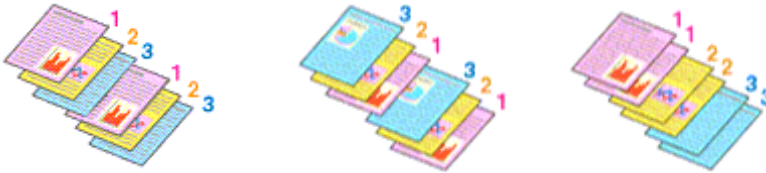


### ►►► Note

- If the paper settings in the printer driver differ from the paper information registered on the printer, an error message may appear on the printer's operation panel. You can still print but you may not be able to obtain correct print results.

# Setting the Number of Copies and Printing Order

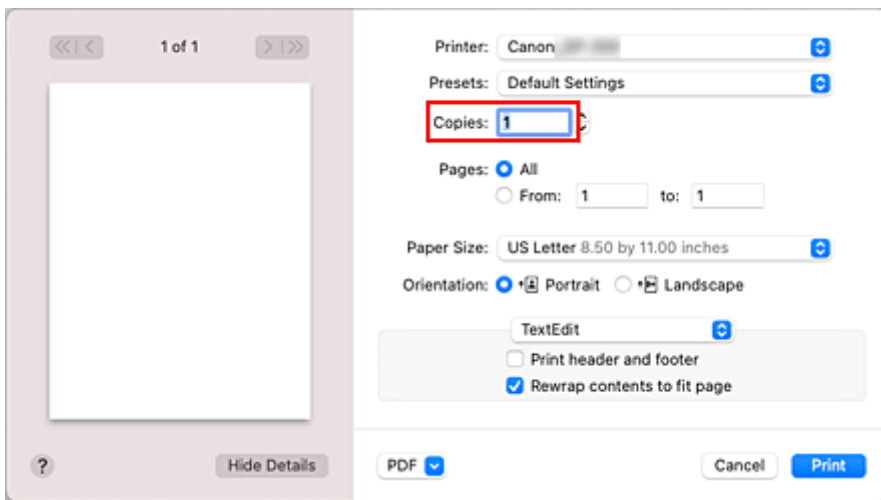
Collate pages + Reverse    Collate pages + Normal    Reverse



The procedure for specifying the number of copies and printing order is as follows:

## 1. Specify the number of copies to be printed

Specify the number of copies to print from the **Copies** in the [Print Dialog](#).



## 2. Select **Paper Handling** from the pop-up menu

## 3. Check the **Collate pages** check box when you are specifying multiple copies in the **Copies** box

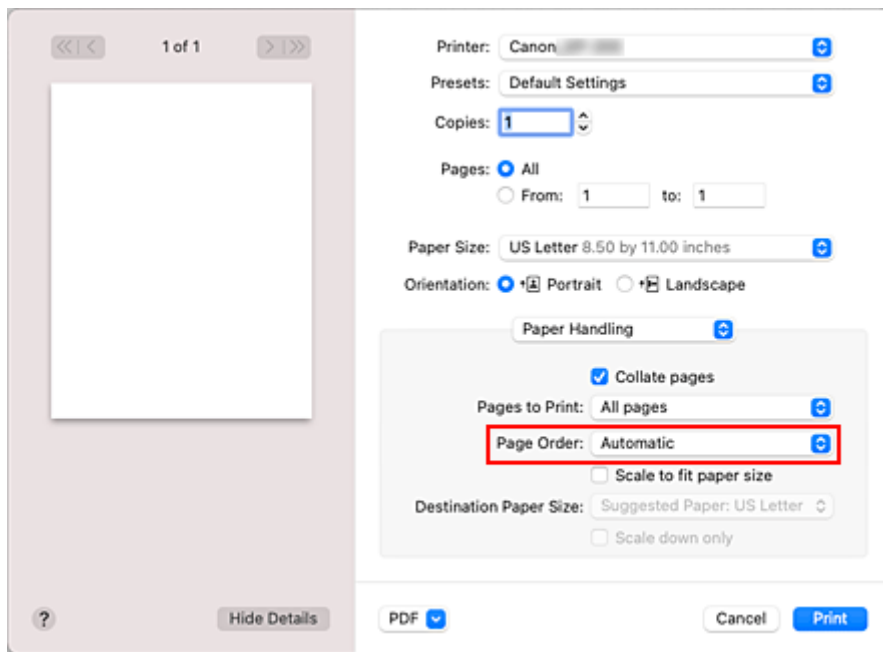
Check the **Collate pages** check box to print all the pages of a single copy together.  
Uncheck this check box to print all pages with the same page number together.

## 4. Specify the print order

Check **Page Order**.

When you select **Reverse**, printing starts from the last page.

When you select **Automatic** or **Normal**, printing starts from the first page.



## 5. Complete the setup

Click **Print**.

When you execute print, the specified number of copies will be printed with the specified printing order.

### »» Important

- When the application software that you used to create the document has the same function, specify the settings on the printer driver. However, if the print results are not acceptable, specify the function settings on the application software. When you specify the number of copies and the printing order with both the application software and this printer driver, the number of copies may be multiplied numbers of the two settings or the specified printing order may not be enabled.

## **Changing the Print Quality and Correcting Image Data**

---

- **Adjusting Color Balance**
- **Setting the Print Quality Level (Custom)**
- **Printing a Color Document in Monochrome**
- **Specifying Color Correction**
- **Adjusting Brightness**
- **Adjusting Contrast**



## Adjusting Color Balance

---

You can adjust the color tints when printing.

Since this function adjusts color balance of the output by changing the ink ratios of each color, it changes the total color balance of the document. Use the application software when you want to change the color balance significantly. Use the printer driver only when you want to adjust the color balance slightly.

The following sample shows the case when color balance is used to intensify cyan and to diminish yellow so that the overall colors are more uniform.



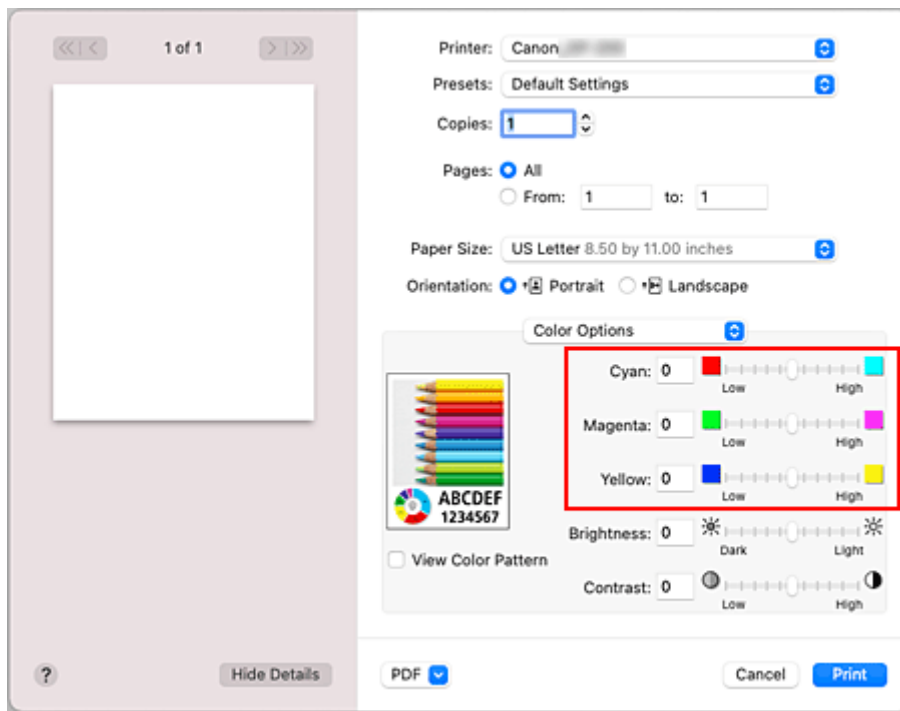
No adjustment    Adjust color balance

The procedure for adjusting color balance is as follows:

1. Select **Color Options** from the pop-up menu of the [Print Dialog](#)
2. Adjust color balance

There are individual sliders for **Cyan**, **Magenta**, and **Yellow**. Each color becomes stronger when the corresponding slider is moved to the right, and becomes weaker when the corresponding slider is moved to the left. For example, when cyan becomes weaker, the color red becomes stronger.

You can also directly enter a value linked to the slider. Enter a value in the range from -50 to 50. The current settings are displayed in the settings preview on the left side of the printer driver.



### 3. Complete the setup

Click **Print**.

When you execute print, the document is printed with the adjusted color balance.

## Related Topics

- ➔ [Setting the Print Quality Level \(Custom\)](#)
- ➔ [Specifying Color Correction](#)
- ➔ [Adjusting Brightness](#)
- ➔ [Adjusting Contrast](#)

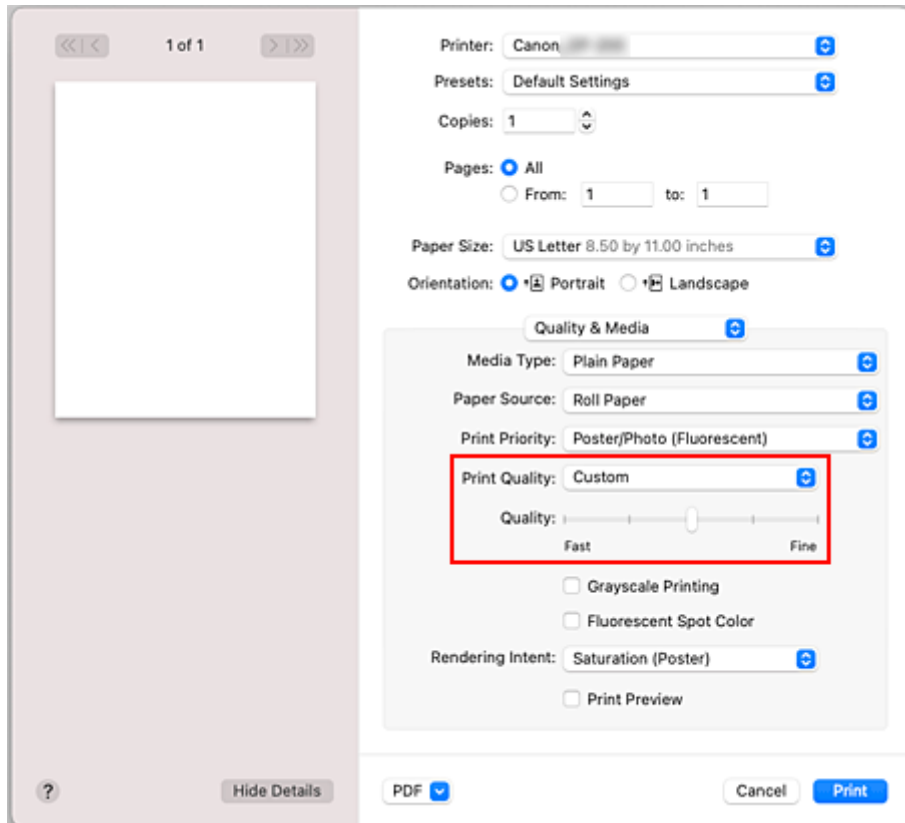
## Setting the Print Quality Level (Custom)

The print quality level can be set in the **Custom**.

The procedure for setting the print quality level is as follows:

1. Select **Quality & Media** from the pop-up menu on the [Print Dialog](#)
2. Select the print quality

Select **Custom** for **Print Quality**.



3. Setting the print quality level

Move the **Quality** slider to select the print quality level.

### ►►► Important

- Certain print quality levels cannot be selected depending on the settings of media type.

4. Complete the setup

Click **Print**.

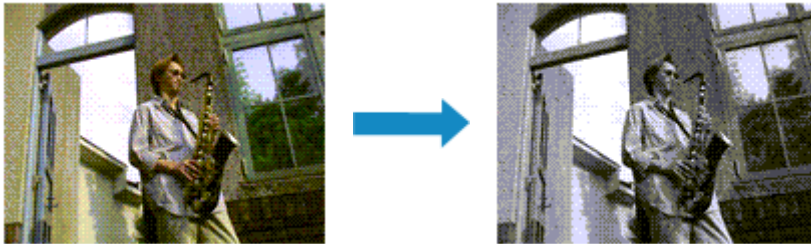
When you execute print, the image data is printed with the selected print quality level.

## Related Topics

- ➔ [Specifying Color Correction](#)

- ➡ [Adjusting Color Balance](#)
- ➡ [Adjusting Brightness](#)
- ➡ [Adjusting Contrast](#)

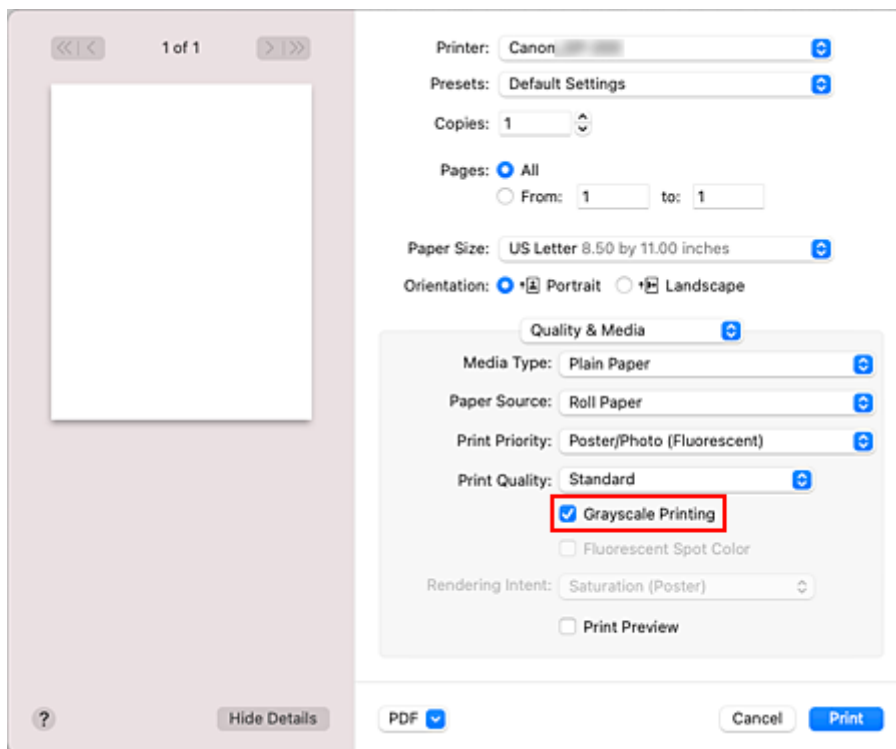
## Printing a Color Document in Monochrome



The procedure for printing a color document in monochrome is as follows:

1. Select **Quality & Media** from the pop-up menu on the [Print Dialog](#)
2. Set monochrome printing

Check the **Grayscale Printing** check box.



3. Complete the setup

Click **Print**.

When you execute print, the document is converted to grayscale data. It allows you to print the color document in monochrome.

### ►►► Note

- With monochrome printing, inks other than black ink may be used as well.

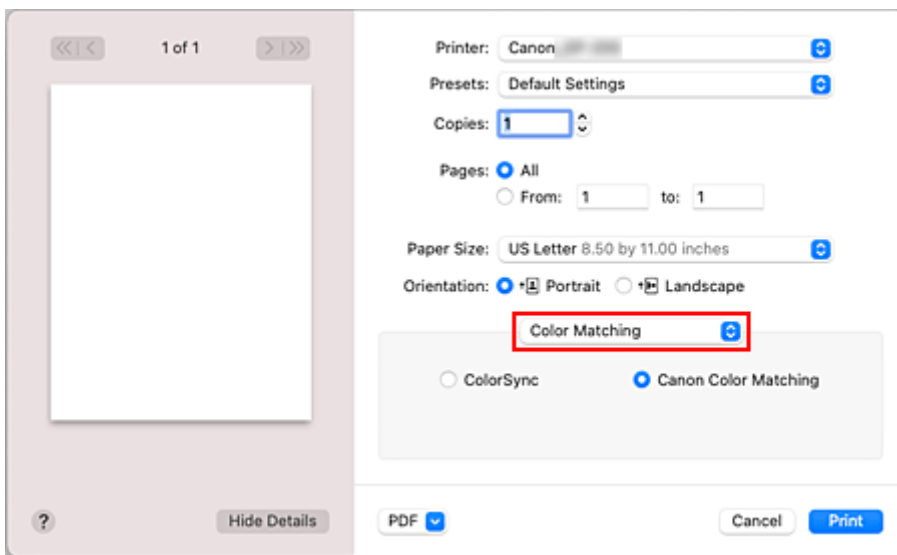
## Specifying Color Correction

You can specify the color correction method suited to the type of document to be printed. Normally, when data is printed, the printer driver automatically adjusts the colors.

When you want to print by using the color space of the image data effectively or by specifying a printing ICC profile from your application software, select **ColorSync**. When you want to print by having the printer driver correct the colors, select **Canon Color Matching**.

The procedure for specifying color correction is as follows:

1. Select **Color Matching** from the pop-up menu of the [Print Dialog](#)



2. Select color correction

Select the item below that matches your purpose.

### **ColorSync**

Perform color correction using ColorSync.

### **Canon Color Matching**

The driver will perform necessary adjustments during printing.

For information about driver matching, see "[Adjusting Colors with the Printer Driver.](#)"

3. Complete the setup

Click **Print**.

When you execute print, the document data is printed with the specified color correction.

## ►► Important

- Depending on the application software, when a printing ICC profile is specified from that application software, **Canon Color Matching** cannot be selected because **ColorSync** is selected automatically.
- The **Quality & Media** setting is necessary even when **ColorSync** or **Canon Color Matching** is selected.

## **Related Topics**

- ➔ [Optimal Photo Printing of Image Data](#)
- ➔ [Adjusting Colors with the Printer Driver](#)
- ➔ [Printing with ICC Profiles \(Specifying an ICC Profile from the Application Software\)](#)
- ➔ [Printing with ICC Profiles \(Specifying an ICC Profile from the Printer Driver\)](#)

## Optimal Photo Printing of Image Data

When people print images taken with digital cameras, they sometimes feel that the printed color tones differ from those of actual image or those displayed on the monitor.

To get the print results as close as possible to the desired color tones, you must select a printing method that is best suited to the application software used or to your purpose.

### Color Management

Devices such as digital cameras, scanners, monitors, and printers handle color differently. Color management (color matching) is a method that manages device-dependent "colors" as a common color space.

For macOS, a color management system called "ColorSync" is built into the operating system. sRGB is one of the common color spaces that is frequently used.

ICC profiles convert device-dependent "colors" into a common color space. By using an ICC profile and carrying out color management, you can draw out the color space of the image data within the color reproduction area that the printer can express.

#### ▶▶▶ Note

- Normally, image files are saved in JPEG format. Some digital cameras allow you to save images in a format called RAW. RAW data refers to an image saving format that requires a computer to develop the image. You can embed an input ICC profile tag into a RAW file by using special application software.

### Selecting a Printing Method Suited to the Image Data

The recommended printing method depends on the color space of the image data or the application software to be used.

There are two typical printing methods.

Check the color space of the image data and the application software to be used, and then select the printing method suited to your purpose.

#### [Adjusting Colors with the Printer Driver](#)

Describes the procedure for printing by using the color correction function of the printer driver.

Select this function when you want to print impressions that are close to those displayed on the monitor, for example, if you corrected the colors while checking the print image on the monitor.

#### [Printing with ICC Profiles \(Specifying an ICC Profile from the Application Software\)](#)

Describes the procedure for printing by using the color space of the image data effectively.

You can print with a common color space by setting up the application software and the printer driver so that the color management matches the input ICC profile of the image data.

The method for setting up the printer driver differs depending on the application software to be used.



## Adjusting Colors with the Printer Driver

To use printer driver matching when printing, turn on the printer driver's color correction function. Printer driver matching accurately applies the characteristics of data displayed on the monitor and allows you to obtain print results of impressions that are close to those displayed on the monitor.

### Important

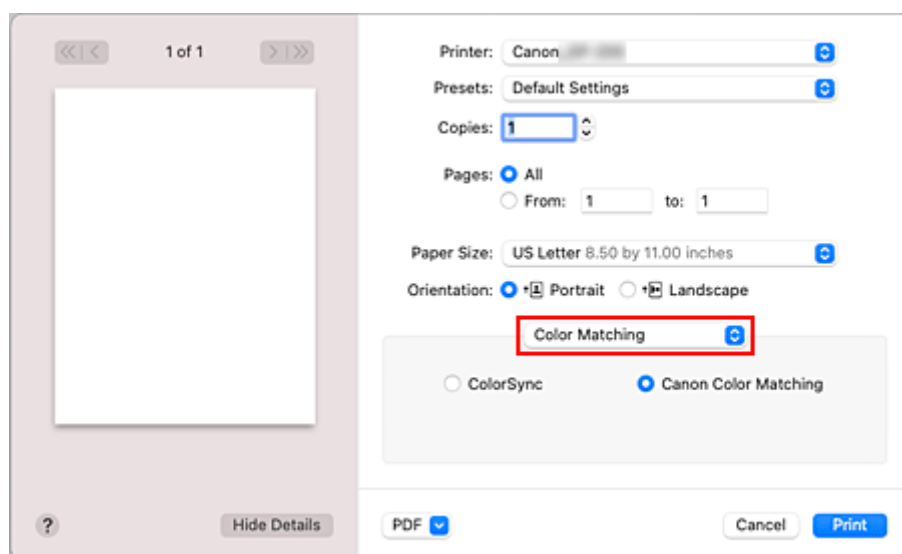
- When printing using printer driver matching, Canon recommends that you set the monitor and the environment light as follows:
  - Monitor
    - Color temperature: D50 (5000K)
    - Brightness: 100 to 120cd/m<sup>2</sup>
    - Gamma: 2.2
  - Environment light
    - Fluorescent light for D50 color evaluation (color temperature 5000K, high color rendering properties)
    - Brightness when looking at printed materials: 500 lx ± 125 lx

### Note

- When printing from an application software that allows you to identify and specify ICC profiles, use an ICC profile for printing with that application software and select setting items that manage colors.

The procedure for adjusting colors with the printer driver is as follows:

1. Select **Color Matching** from the pop-up menu of the [Print Dialog](#)



2. Select color correction

Select **Canon Color Matching**.

3. Select **Quality & Media** from the pop-up menu

#### 4. Select the rendering intent

Select the coloring adjustment method in **Rendering Intent**.

##### **Perceptual (Photo)**

Reproduces colors of general photos naturally and features smooth gradation. In addition, selecting this setting allows you to adjust colors easily using an application software.

##### **Saturation (Poster)**

Reproduces vivid colors on data such as a poster.

##### **No Color Correction**

Performs printing without color matching.

#### 5. Set the other items

From the pop-up menu, select **Color Options**. If necessary, adjust the color balance (**Cyan, Magenta, Yellow**) and adjust **Brightness**, and **Contrast** settings.

#### 6. Complete the setup

Click **Print**.

When you execute print, the printer driver adjusts the colors when printing the data.

## Related Topics

- ➔ [Setting the Print Quality Level \(Custom\)](#)
- ➔ [Specifying Color Correction](#)
- ➔ [Adjusting Color Balance](#)
- ➔ [Adjusting Brightness](#)
- ➔ [Adjusting Contrast](#)

## Printing with ICC Profiles (Specifying an ICC Profile from the Application Software)

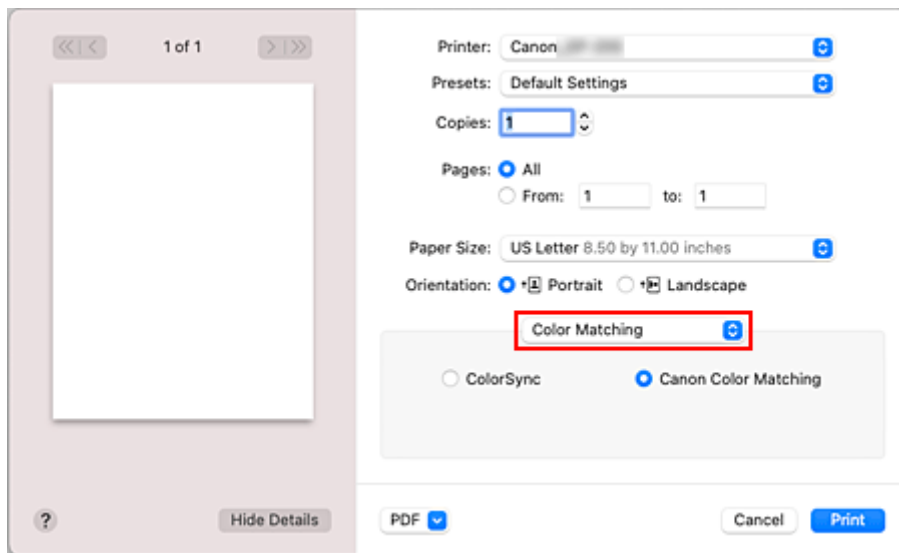
When you print from Adobe Photoshop, Canon Digital Photo Professional, or any application software that can identify input ICC profiles and allows you to specify such profiles, printer uses the color management system (ColorSync) built-into macOS when printing. The printer prints the editing and touch-up results of the application software and effectively uses the color space of the input ICC profile specified in the image data.

To use this printing method, use your application software to select color management items and specify an input ICC profile and a printing ICC profile in the image data.

Even if you print using a printing ICC profile that you created yourself, be sure to select color management items from your application software.

For instructions, refer to the manual of the application software you are using.

### 1. Select **Color Matching** from the pop-up menu of the [Print Dialog](#)



### 2. Select color correction

Select **ColorSync**.

You can leave **Profile** set to **Automatic**.

#### »» Important

- Depending on the application software you use, you may not be able to select setting items other than **ColorSync**.
- If you choose a **Profile** setting other than **Automatic** or "Printing Paper ICC Profile", the printer will not be able to print with the correct colors.

### 3. Complete the setup

Click **Print**.

When you execute print, the printer uses the color space of the image data.

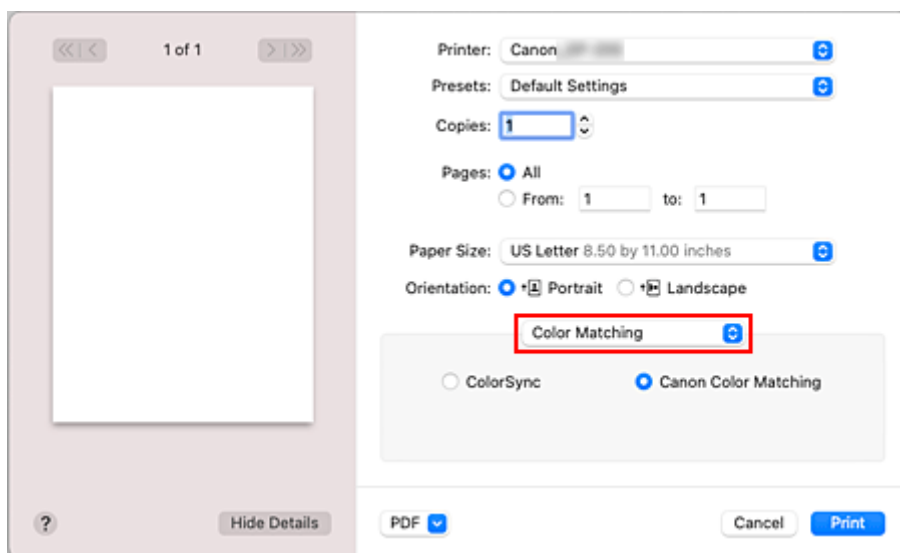
## **Related Topics**

- ➔ [Setting the Print Quality Level \(Custom\)](#)
- ➔ [Specifying Color Correction](#)
- ➔ [Adjusting Color Balance](#)
- ➔ [Adjusting Brightness](#)
- ➔ [Adjusting Contrast](#)

## Printing with ICC Profiles (Specifying an ICC Profile from the Printer Driver)

Print from an application software that cannot identify or specify input ICC profiles by using the color space of the input ICC profile (sRGB) found in the data.

1. Select **Color Matching** from the pop-up menu of the [Print Dialog](#)



2. Select color correction

Select **ColorSync**.

You can leave **Profile** set to **Automatic**.

### »»» Important

- If you choose a **Profile** setting other than **Automatic** or "Printing Paper ICC Profile", the printer will not be able to print with the correct colors.

3. Complete the setup

Click **Print**.

When you execute print, the printer uses the color space of the image data.

### »»» Important

- You cannot specify an input ICC profile from the printer driver.

## Related Topics

- ➔ [Setting the Print Quality Level \(Custom\)](#)
- ➔ [Specifying Color Correction](#)
- ➔ [Adjusting Color Balance](#)
- ➔ [Adjusting Brightness](#)
- ➔ [Adjusting Contrast](#)

## Adjusting Brightness

You can brighten or darken the colors of the overall image data during printing.

The following sample shows the case when light colors are darkened when the image data is printed.



No adjustment

Darken light colors

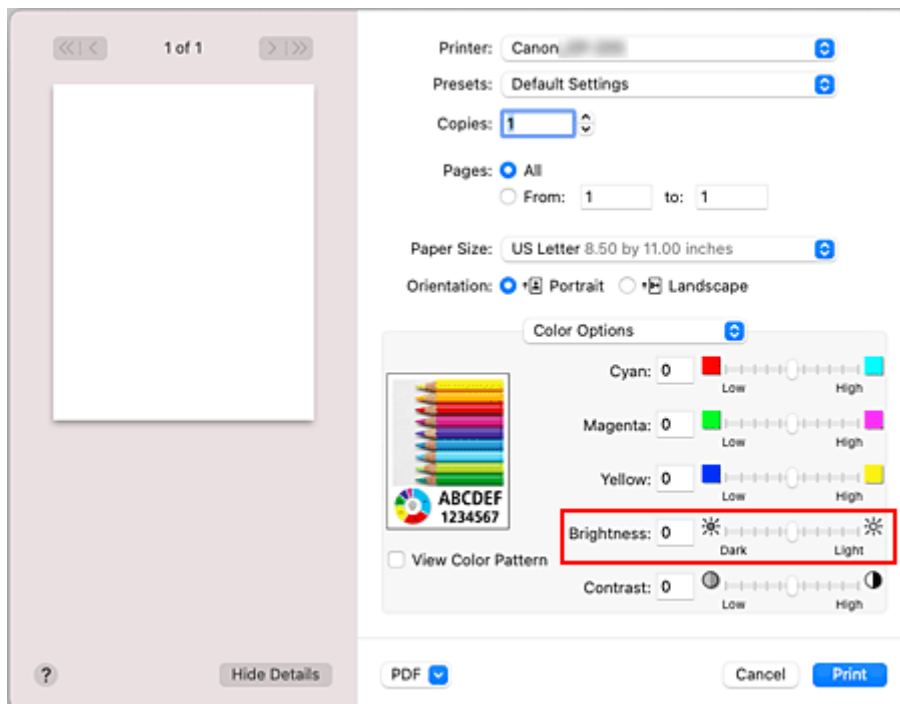
The procedure for adjusting brightness is as follows:

1. Select **Color Options** from the pop-up menu of the [Print Dialog](#)

2. Adjust brightness

Moving the **Brightness** slider to the right brightens the colors, and moving the slider to the left darkens the colors.

You can also directly enter a value linked to the slider. Enter a value in the range from -50 to 50. The current settings are displayed in the settings preview on the left side of the printer driver.



3. Complete the setup

Click **Print**.

When you execute print, the data is printed at the adjusted brightness.

## Related Topics

- ➔ [Setting the Print Quality Level \(Custom\)](#)
- ➔ [Specifying Color Correction](#)
- ➔ [Adjusting Color Balance](#)
- ➔ [Adjusting Contrast](#)

## Adjusting Contrast

You can adjust the image contrast during printing.

To make the differences between the light and dark portions of images greater and more distinct, increase the contrast. On the other hand, to make the differences between the light and dark portions of images smaller and less distinct, reduce the contrast.



No adjustment

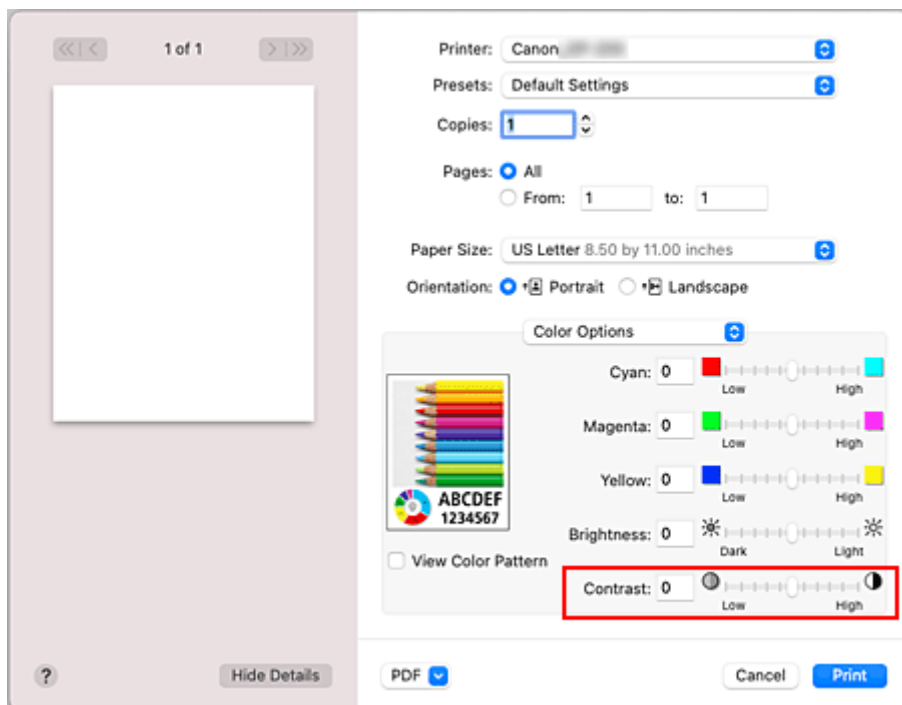
Adjust the contrast

The procedure for adjusting contrast is as follows:

1. Select **Color Options** from the pop-up menu of the [Print Dialog](#)
2. Adjust the contrast

Moving the **Contrast** slider to the right increases the contrast, and moving the slider to the left decreases the contrast.

You can also directly enter a value linked to the slider. Enter a value in the range from -50 to 50. The current settings are displayed in the settings preview on the left side of the printer driver.



3. Complete the setup



Click **Print**.

When you execute print, the image is printed with the adjusted contrast.

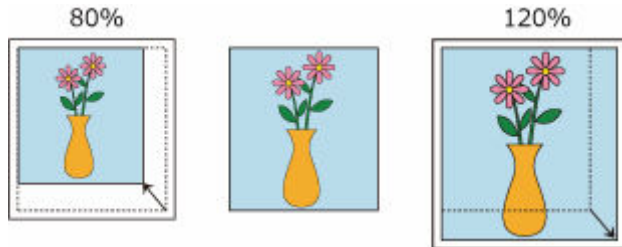
## Related Topics

- ➔ [Setting the Print Quality Level \(Custom\)](#)
- ➔ [Specifying Color Correction](#)
- ➔ [Adjusting Color Balance](#)
- ➔ [Adjusting Brightness](#)

## Scaled Printing

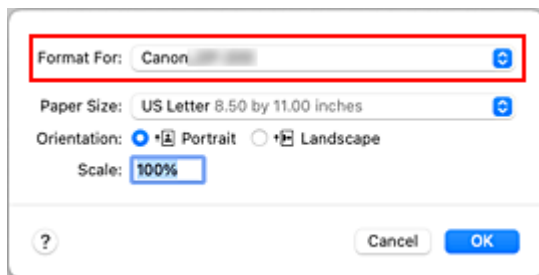
The procedure for printing a document with pages enlarged or reduced is as follows:

### Printing by Enlarging/Reducing Document to Specified Ratio



#### 1. Select the printer

In the [Page Setup Dialog](#), select your model name from the **Format For** list.



#### 2. Set scaled printing

Specify the scaling factor in the **Scale** box, and click **OK**.

#### ▶▶▶ Note

- Depending on the **Scale** value that you set, an error message may be displayed.

#### 3. Complete the setup

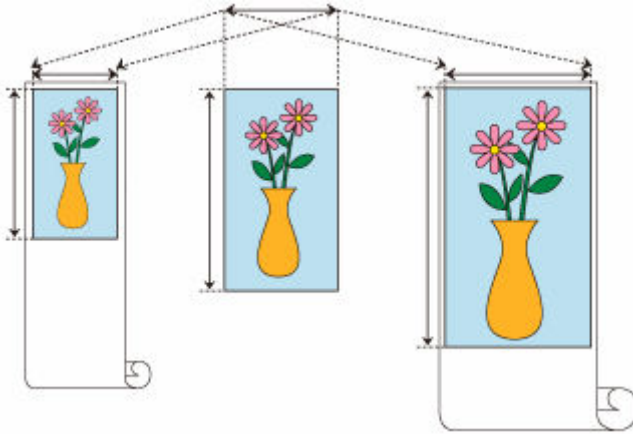
On the [Print Dialog](#), click **Print**.

When you execute print, the document will be printed with the specified scale.

#### ▶▶▶ Important

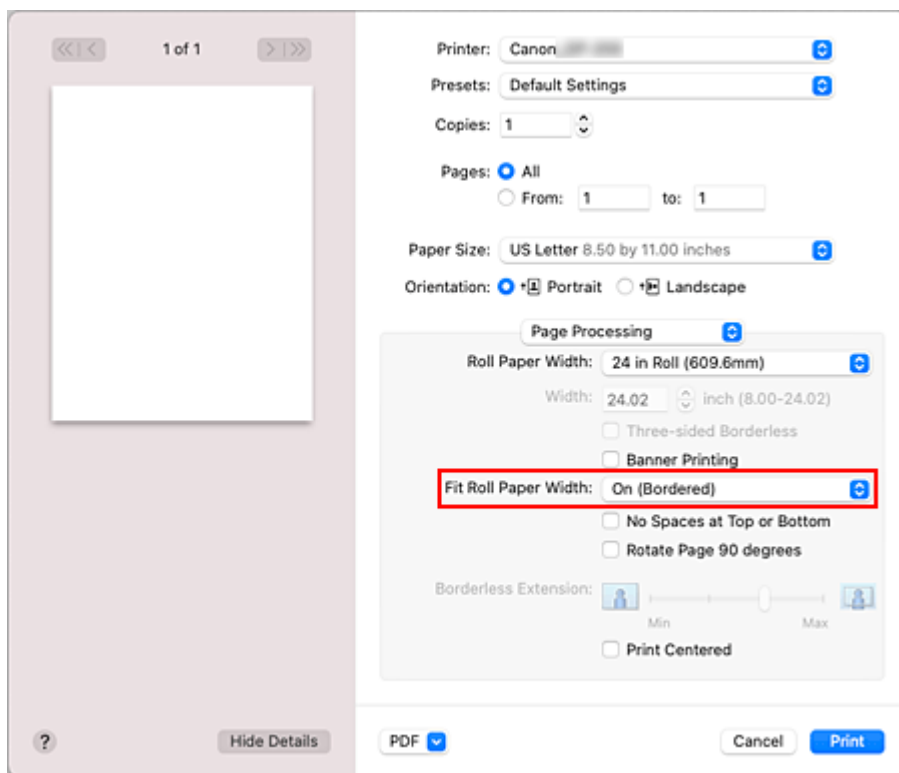
- When the application software which you used to create the original has the scaled printing function, configure the settings on your application software. You do not need to configure the same setting in the Page Setup dialog.

## Printing by Enlarging/Reducing Document to Match Roll Paper Width



1. Select **Page Processing** from the pop-up menu of the Print Dialog
2. Setting Enlarged/Reduced Printing

For **Fit Roll Paper Width**, select **On (Bordered)** or **On (Borderless)**.



### ➤➤➤ Note

- Depending on the **Paper Size** settings, the settings you can choose will differ.
- When selecting "XXX oversize" from **Paper Size**, **On (Borderless)** cannot be selected.

3. Complete the setup

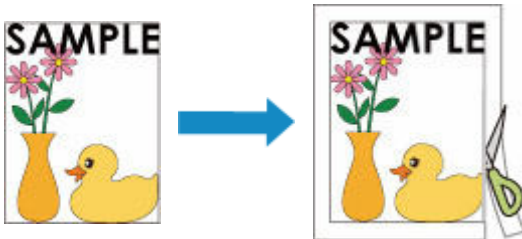
Click **Print**.

When you print, the document is expanded or reduced to match the roll paper width and then printed.

## Printing to Oversized Paper Sizes

When printing a created document so that it fills the entire paper width, select a paper size from the "XXX oversize" (sizes resulting from adding margins necessary for printer operation to the document sizes) so that all areas of the document are printed at their actual size.

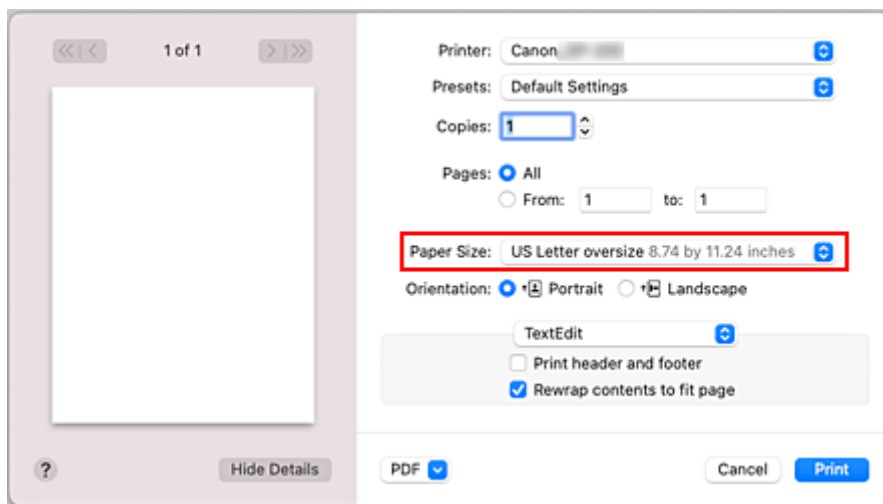
A printout that has the same area as the document can be obtained by trimming the outer margins after printing.



The procedure for printing with oversize is as follows:

1. Select oversized paper size

In the [Print dialog](#), select "XXX oversize" for **Paper Size**.



2. Select **Quality & Media** from the pop-up menu

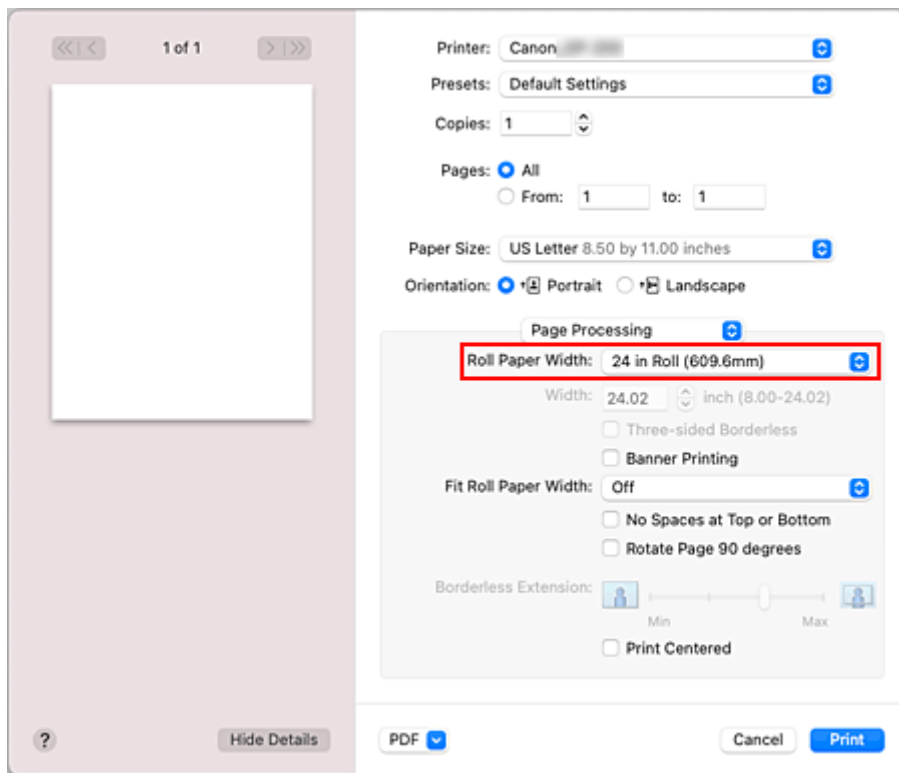
3. Select the paper source

Select **Roll Paper** for **Paper Source**.

4. Select **Page Processing** from the pop-up menu

5. Select roll paper width

Set **Roll Paper Width** to the width of the roll paper loaded in the printer.



## 6. Complete the setup

Click **Print**.

When you print, the document is printed so that it fills the paper width.

### ▶▶▶ Important

- When printing to oversized paper sizes, use paper that has the following necessary margins added to the document size.
  - Cut sheet: 6 mm or more added to width and 23 mm or more added to height of document size
  - Roll paper: 6 mm or more added to width and 6 mm or more added to height of document size

### ▶▶▶ Note

- An oversized paper size cannot be used for the largest paper size that can be loaded in the printer.

## Setting Paper Dimensions (Custom Size)

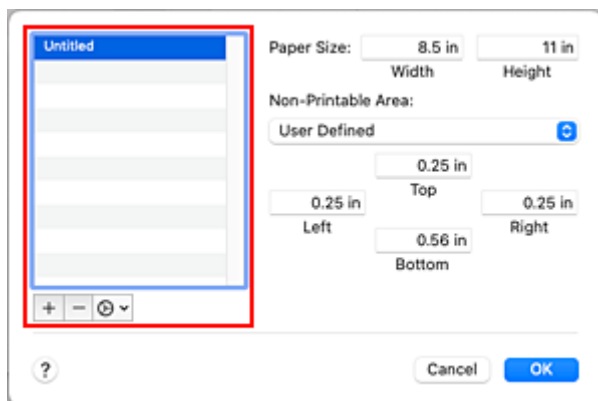
You can specify the height and width of paper when its size cannot be selected from the **Paper Size** menu. Such a paper size is called "custom size."

The procedure for specifying a custom size is as follows:

### 1. Creating a new custom paper size

In the [Print Dialog](#), select **Manage Custom Sizes...** from **Paper Size**.

In the displayed dialog, click **+**.



**Untitled** will be added to the list.

### 2. Setting details about the custom paper size

Double-click **Untitled**, enter the name of the paper size you want to register, and specify the **Width** and **Height** of the paper for **Paper Size**.

Select **User Defined** or your model for **Non-Printable Area**, and enter the margins.

### 3. Registering the custom paper size

Click **OK**.

The custom size is registered.

## Important

- If the application software that created the document has a function for specifying height and width values, use the application software to set the values. If the application software does not have such a function or if the document does not print correctly, perform the above procedure from the printer driver to set the values.

## Note

- To duplicate the registered paper size, select the paper size that you want to duplicate from the **Custom Paper Sizes** list, and click **Duplicate**.
- To delete a registered paper size, select the paper size that you want to delete from the **Custom Paper Sizes** list, and click **-**.

- If the paper settings in the printer driver differ from the paper information registered on the printer, an error message may appear on the printer's operation panel. You can still print but you may not be able to obtain correct print results.



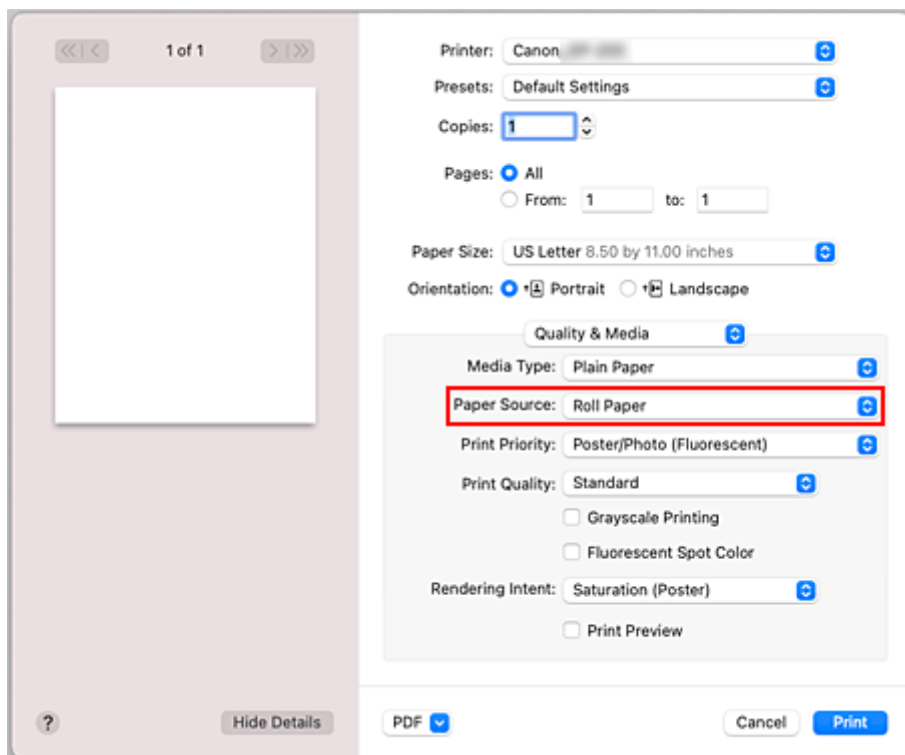
## Set a Custom Size Roll Width

By specifying the roll paper width with a value, you can use roll paper with a width that cannot be selected in **Roll Paper Width**.

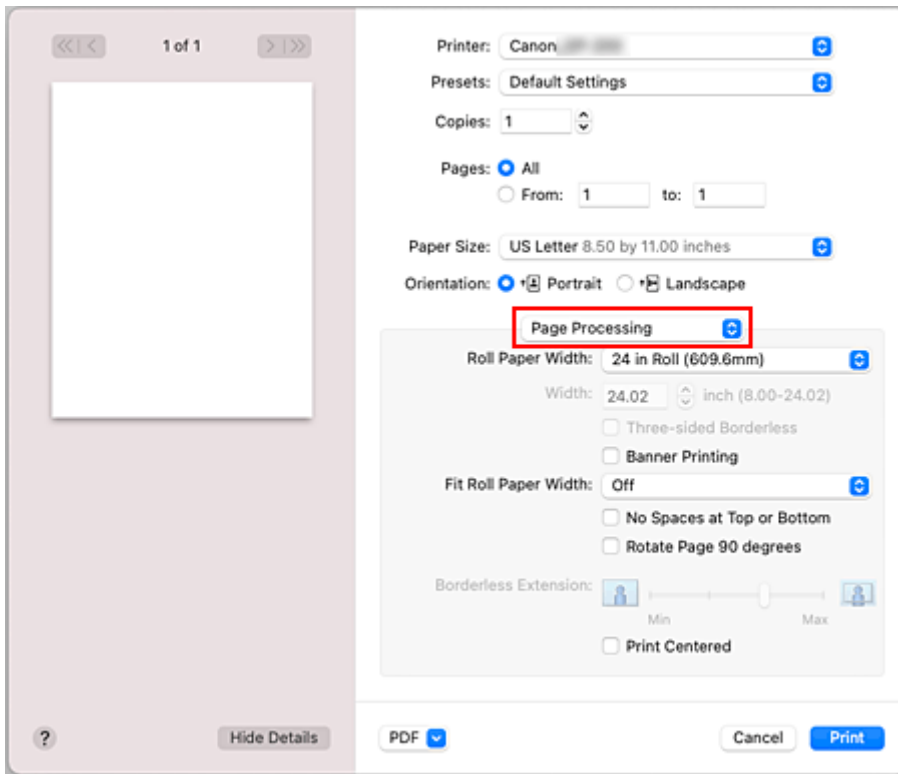
The procedure for setting custom size roll width is described below.

1. Select **Quality & Media** from the pop-up menu of the [Print Dialog](#)
2. Select the paper source

Select **Roll Paper** for **Paper Source**.

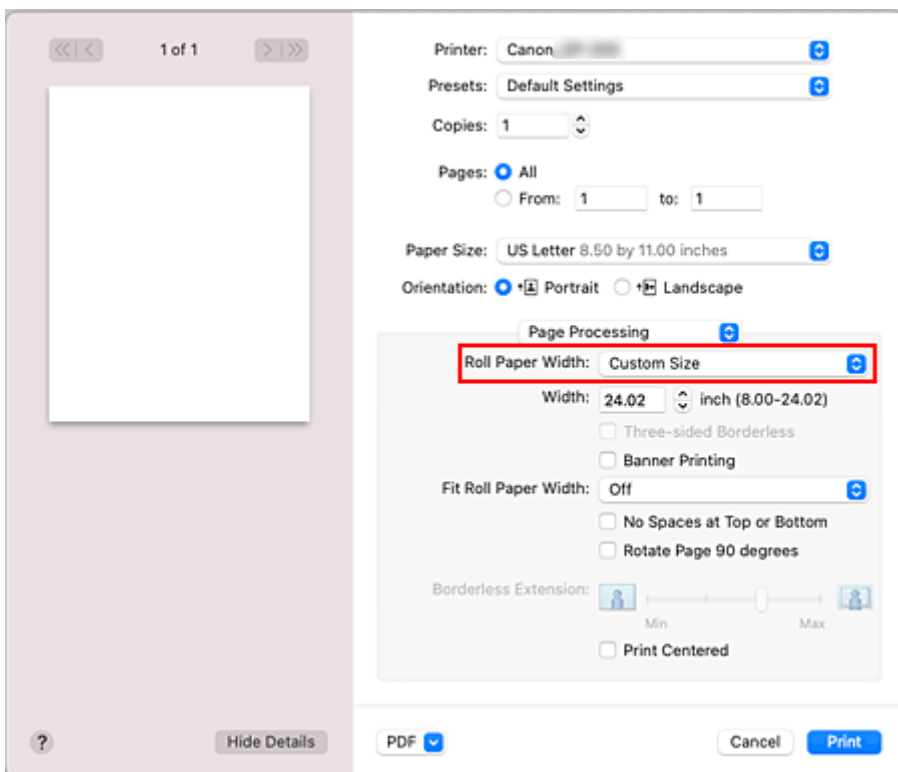


3. Select **Page Processing** from the pop-up menu



#### 4. Select paper roll width

Select **Custom Size** for **Roll Paper Width**.



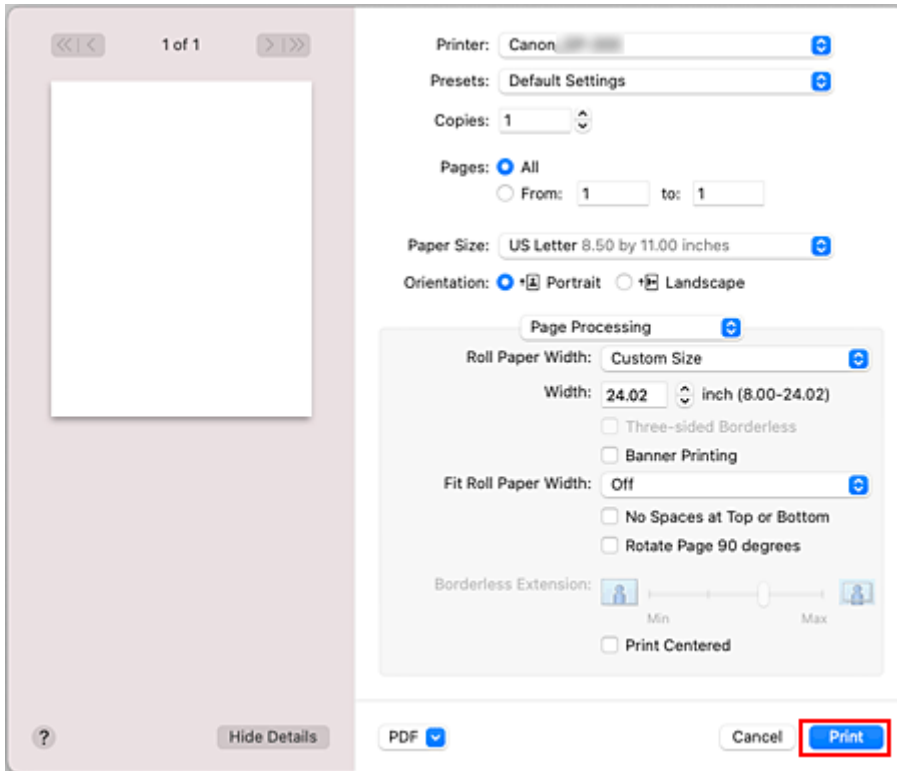
#### 5. Set paper roll width

Enter the roll width you want to use for **Width**.

## 6. Complete the setup

Click **Print**.

If you perform the print, the roll paper with the specified width will be used for printing.



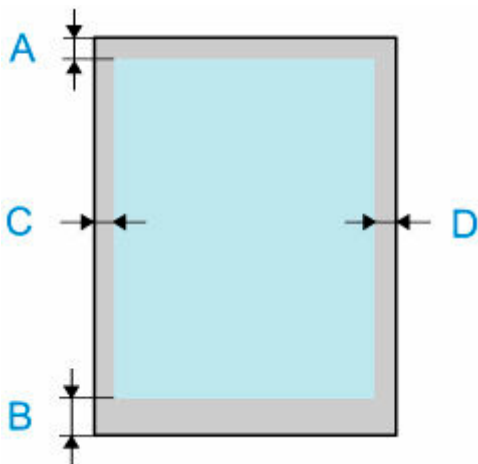
## Print Area

A margin required by the printer is added with respect to the size of paper loaded in the printer. Except in borderless printing, the actual printing area corresponds to the paper size minus the space for this margin.

### ▶▶▶ Note

- Printable Area: The area that can be printed.
- For borderless printing with roll paper, the margin is 0 in. (0 mm).  
However, depending on the paper size, minor margins may be available.
  - ➔ [Prints without Edges Based on the Scenarios](#)
- Recommended Print Area: We recommend printing within this area.
- To match the document size with the actual printing area, print on oversize paper with the required margin added.
  - ➔ [Printing to Oversized Paper Sizes](#)

## Sheets



A: Top Edge

B: Bottom Edge

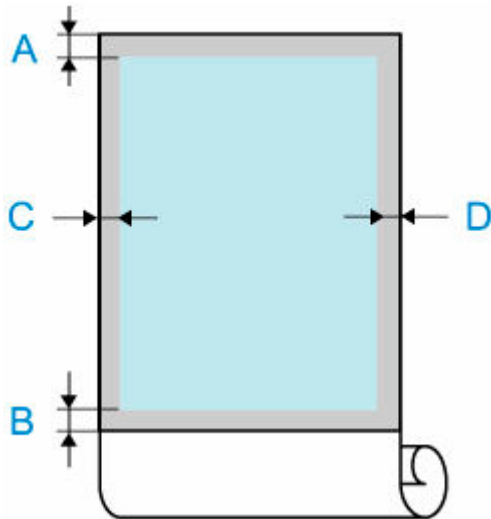
C: Left Edge

D: Right Edge

- Printable Area:  
A margin of 0.2 in. (3 mm) on top, 0.5 in. (12.7 mm) on bottom\*, and 0.2 in. (3 mm) on left and right sides is required.
- Recommended Print Area:  
A margin of 0.8 in. (20 mm) on top, 0.8 in. (20 mm) on bottom\*, and 0.2 in. (3 mm) on left and right sides is required.

\* The bottom margin for cut sheet depends on an OS and applications.

## Rolls



A: Top Edge

B: Bottom Edge

C: Left Edge

D: Right Edge

- **Printable Area:**

A margin of 0.2 in. (3 mm) on top and bottom and 0.2 in. (3 mm) on left and right sides is required. For borderless printing, the margins on top, bottom, left, and right are 0 in. (0 mm). For paper that supports borderless printing, see "Paper Information List."

- **Recommended Print Area:**

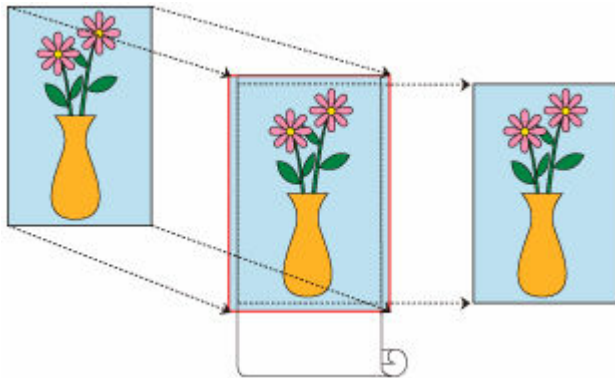
A margin of 0.8 in. (20 mm) on top, 0.2 in. (3 mm) on bottom, and 0.2 in. (3 mm) on left and right sides is required.

## **Printing without Edges Based on the Scenarios**

---

- **Printing without Margins to Match Roll Paper Width**
- **Printing Full-Size without Margins**
- **Three-sided Borderless Printing on Roll Paper**

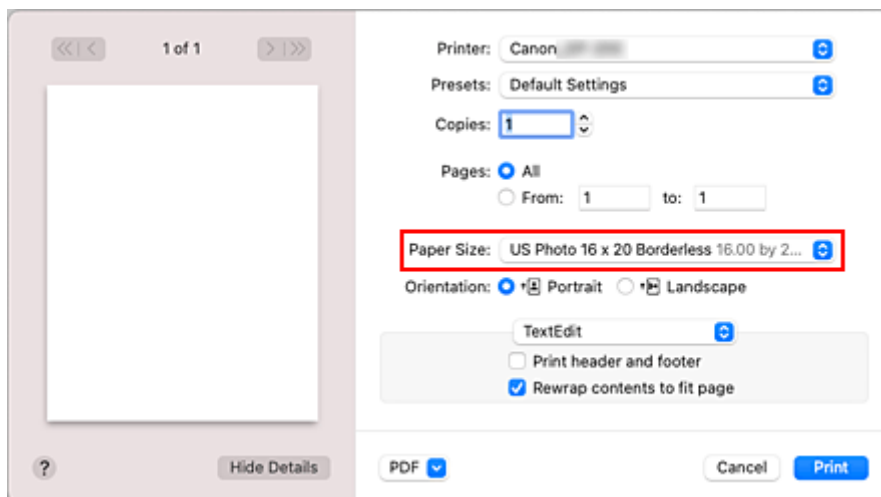
## Printing without Margins to Match Roll Paper Width



Procedure for printing borderless by enlarging/reducing documents to match roll paper width.

### 1. Select the paper size for whole-surface borderless printing

Select "XXX Borderless" from **Paper Size** in the [print dialog](#).



### 2. From the pop-up menu, select **Page Processing**

### 3. Select roll paper width

For paper roll width, enter the same value set in the printer under **Roll Paper Width**.

### 4. Select a method for printing on roll paper

In **Fit Roll Paper Width**, select **On (Borderless)**.

### 5. Complete setting process

Click **Print**.

If you print now, the document will be printed by filling in the entire surface of the paper.

## »» Important

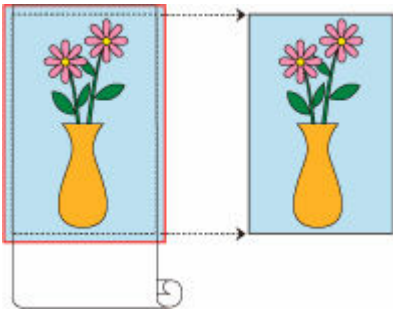
- If you want to print borderless using a custom paper size, create a custom paper size by choosing **Paper Size, Manage Custom Sizes...**, and setting all **Non-Printable Area** values to 0 mm. Next, choose **Page Processing, Fit Roll Paper Width** and select **On (Borderless)**.
- If you try to set borderless printing, in **Page Processing, Banner Printing** and **Print Centered** will be displayed in gray and you will not be able to configure them.
- Depending on paper size, the length/width ratio of the paper may be different from that of the image, making it impossible for the whole image to fit on the paper.  
When this happens, crop the image with the application software to match paper size.
- When printing borderless, printing may stop abruptly and the paper will be cut causing a slight color unevenness on the edges of the paper. If you require particularly high quality, go to **Automatic Cutting** under **Advanced Paper Settings**, and select **None**. When you do so, the document will be printed without the left and right margins. After the printed material has exited the printer and has been cut, cut the upper and lower edges with a pair of scissors.
- When printing borderless on paper with low ink-fixing properties, depending on frequency of use, the cutter unit may come into contact with the paper surface scratching it and causing the paper to be unevenly cut.  
You may be able to improve the situation by choosing **Advanced Paper Settings** and set **Dry Time (Between Pages)** to a higher value.
- The following roll paper supports borderless printing.
  - ➔ [Paper Sizes](#)
- If margins are formed on the left and right of the document, adjust the amount extending off paper during borderless printing from operation panel of the printer.  
See "[Borders appear in borderless printing](#)" for details on how to set the amount extending off paper.

## »» Note

- When using applications that allow you to set margins, set margins to 0 mm.



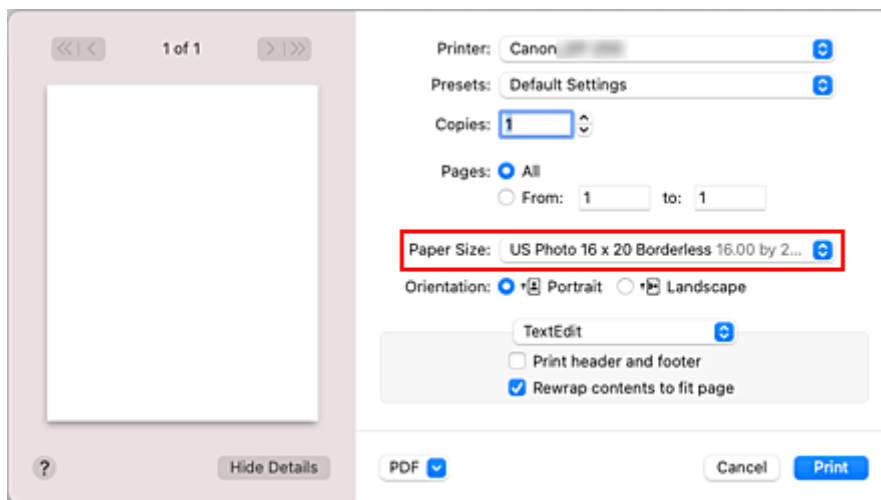
## Printing Full-Size without Margins



Procedure for printing borderless images in the same size as the original document without enlarging/reducing them

### 1. Select the paper size for whole-surface borderless printing

Select "XXX Borderless" from **Paper Size** in the [print dialog](#).



### 2. From the pop-up menu, select **Page Processing**

### 3. Select roll paper width

For paper roll width, enter the same value set in the printer under **Roll Paper Width**.

### 4. Select a method for printing on roll paper

For **Fit Roll Paper Width**, select **Off**.

### ▶▶▶ Important

- Depending on **Paper Size**, when setting **Fit Roll Paper Width** on **Off**, it may not be possible to print borderless.

### 5. Complete setting process

Click **Print**.

If you print now, the document will be printed by filling in the entire surface of the paper.

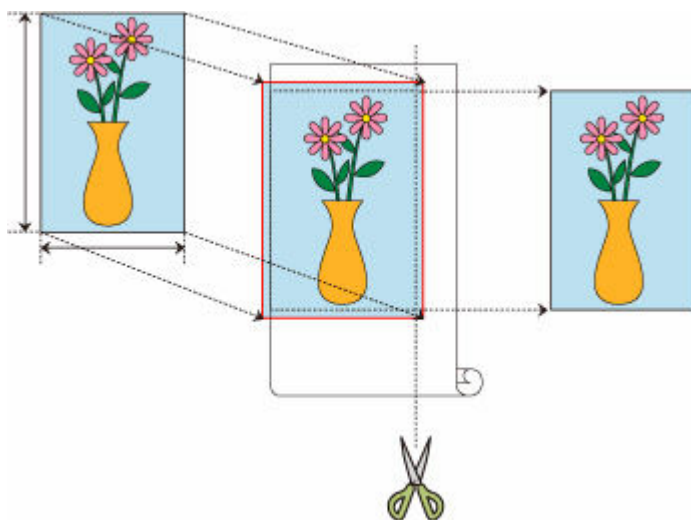
### »» Important

- If you try to set borderless printing, in **Page Processing**, **Banner Printing** and **Print Centered** will be displayed in gray and you will not be able to configure them.
- Depending on paper size, the length/width ratio of the paper may be different from that of the image, making it impossible for the whole image to fit on the paper.  
When this happens, crop the image with the application software to match paper size.
- When printing borderless, printing may stop abruptly and the paper will be cut causing a slight color unevenness on the edges of the paper. If you require particularly high quality, go to **Automatic Cutting** under **Advanced Paper Settings**, and select **None**. When you do so, the document will be printed without the left and right margins. After the printed material has exited the printer and has been cut, cut the upper and lower edges with a pair of scissors.
- When printing borderless on paper with low ink-fixing properties, depending on frequency of use, the cutter unit may come into contact with the paper surface scratching it and causing the paper to be unevenly cut.  
You may be able to improve the situation by choosing **Advanced Paper Settings** and set **Dry Time (Between Pages)** to a higher value.
- The following roll paper supports borderless printing.  
➔ [Paper Sizes](#)
- If margins are formed on the left and right of the document, adjust the amount extending off paper during borderless printing from operation panel of the printer.  
See "[Borders appear in borderless printing](#)" for details on how to set the amount extending off paper.

### »» Note

- When using applications that allow you to set margins, set margins to 0 mm.

## Three-sided Borderless Printing on Roll Paper



With the three-sided borderless printing feature, you can print with no borders on three sides if the paper sizes don't match the roll paper width.

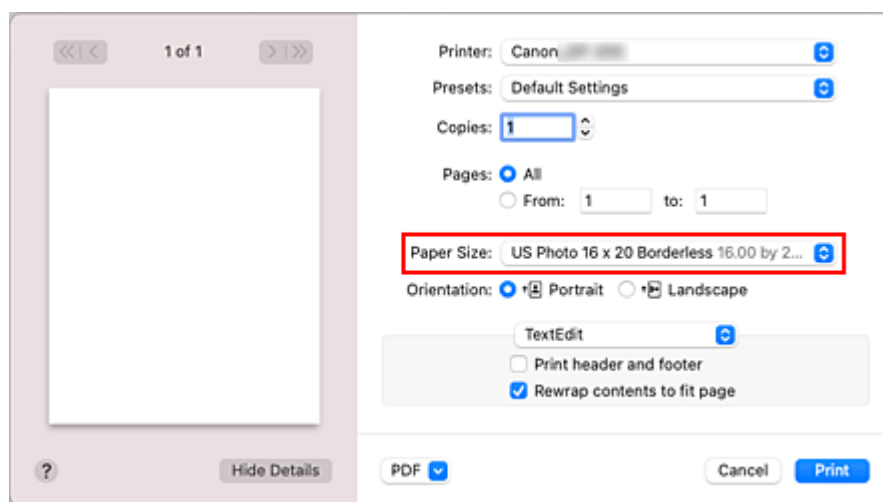
You can complete borderless printing by cutting the right side of the paper after printing.

## Three-sided Borderless Printing to Match Paper Size

The procedure for three-sided borderless printing by enlarging or reducing documents to match paper size is described below.

### 1. Select the paper size for whole-surface borderless printing

Select "XXX Borderless" from **Paper Size** in the [print dialog](#).



### 2. From the pop-up menu, select **Paper Handling**

### 3. Place a checkmark next to **Scale to fit paper size**

### 4. Select paper size

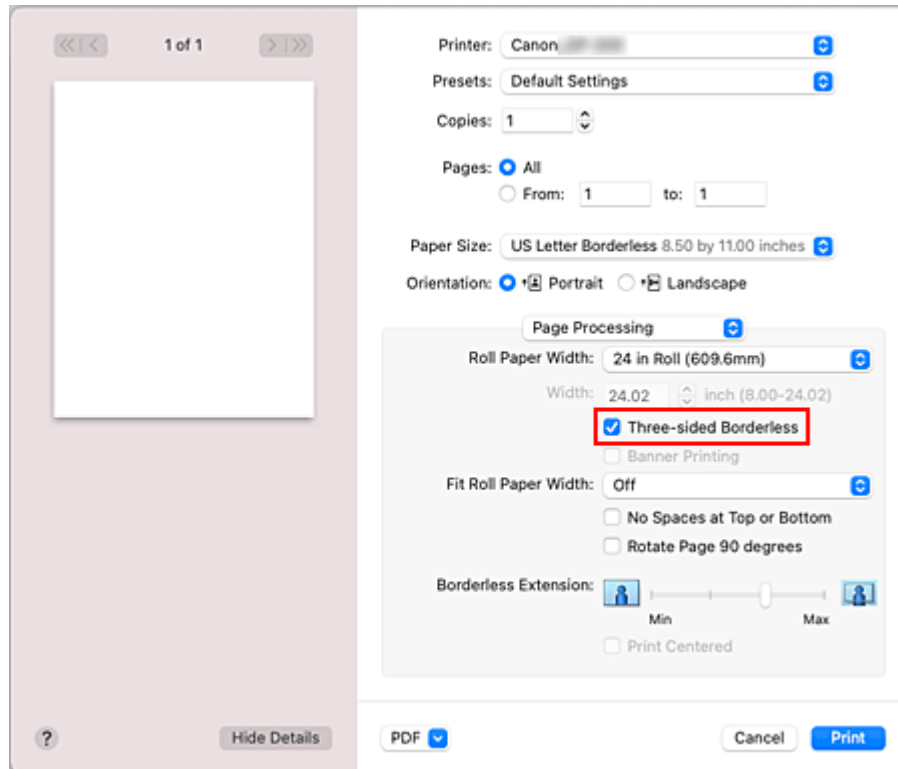
Select "XXX Borderless" in **Destination Paper Size**.

**5. From the pop-up menu, select Page Processing**

**6. Select roll paper width**

For paper roll width, enter the same value set in the printer under **Roll Paper Width**.

**7. Place a checkmark next to Three-sided Borderless**



**8. Complete setting process**

Click **Print**.

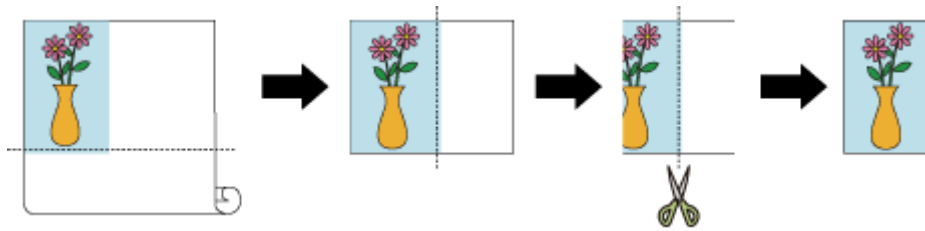
If you print now, the document will be printed without margins on three sides to fit the paper size.

**9. Cut the right side of the paper**

Cut the margin on the right side of the paper with scissors after printing.

Cut slightly to the inside of the margin as the document is enlarged to extend slightly beyond the specified size.

To get the document to standard size, it is recommended to take measurements and cut in the correct positions.

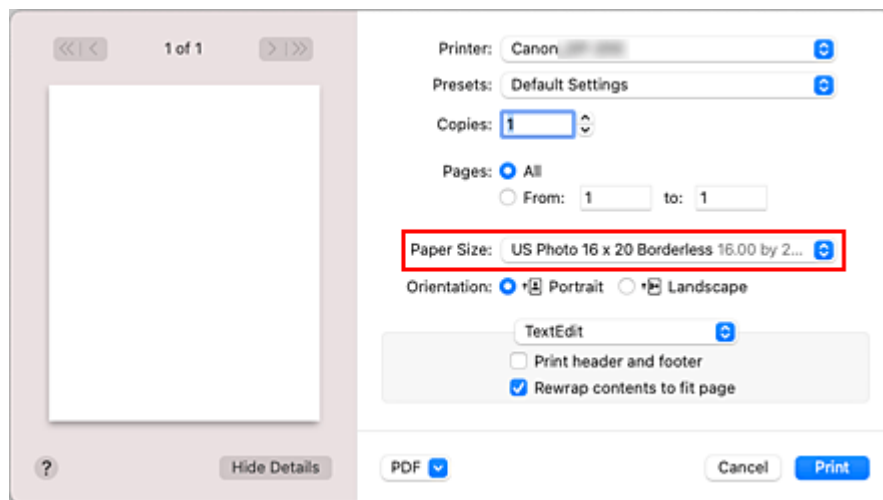


## Printing Full-Size without Margins on Three Sides

The procedure for three-sided borderless printing in the same size as the original document without enlarging or reducing the size is described below.

### 1. Select the paper size for whole-surface borderless printing

Select "XXX Borderless" from **Paper Size** in the [print dialog](#).

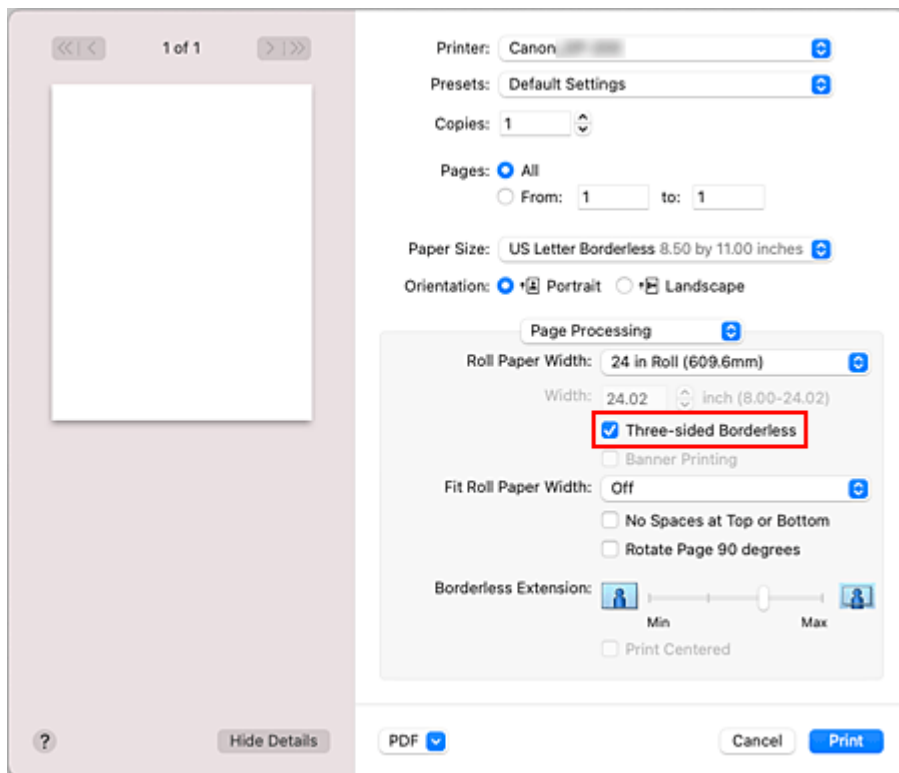


### 2. From the pop-up menu, select **Page Processing**

### 3. Select roll paper width

For paper roll width, enter the same value set in the printer under **Roll Paper Width**.

### 4. Place a checkmark next to **Three-sided Borderless**



## 5. Select a method for printing on roll paper

For **Fit Roll Paper Width**, select **Off**.

## 6. Complete setting process

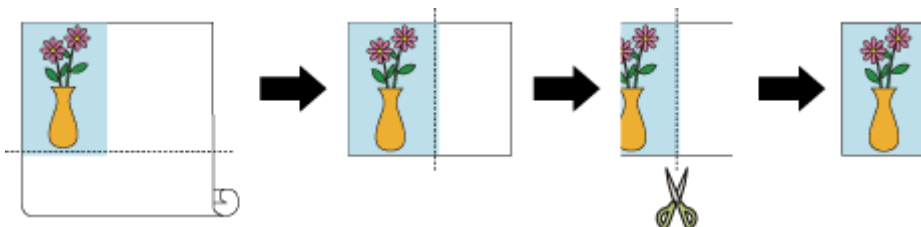
Click **Print**.

If you print now, the document will be printed without margins on three sides while retaining the same document size.

## 7. Cut the right side of the paper

Cut the margin on the right side of the paper with scissors after printing.

To get the document to standard size, it is recommended to take measurements and cut in the correct positions.



## Important

- If you try to set borderless printing, in **Page Processing**, **Banner Printing** and **Print Centered** will be displayed in gray and you will not be able to configure them.

- Depending on paper size, the length/width ratio of the paper may be different from that of the image, making it impossible for the whole image to fit on the paper.  
When this happens, crop the image with the application software to match paper size.
- When printing borderless, printing may stop abruptly and the paper will be cut causing a slight color unevenness on the edges of the paper. If you require particularly high quality, go to **Automatic Cutting** under **Advanced Paper Settings**, and select **None**. When you do so, the document will be printed without the left and right margins. After the printed material has exited the printer and has been cut, cut the upper, lower, and right edges with a pair of scissors.
- When printing borderless on paper with low ink-fixing properties, depending on frequency of use, the cutter unit may come into contact with the paper surface scratching it and causing the paper to be unevenly cut.  
You may be able to improve the situation by choosing **Advanced Paper Settings** and set **Dry Time (Between Pages)** to a higher value.
- The following roll paper supports borderless printing.  
➔ [Paper Sizes](#)
- If margins are formed on the left of the document, adjust the amount extending off paper during borderless printing from operation panel of the printer.  
See "[Borders appear in borderless printing](#)" for details on how to set the amount extending off paper.

## ▶▶ Note

- When using applications that allow you to set margins, set margins to 0 mm.

## Printing Hanging and Horizontal Banners (Large-Format Printing)

A drapery or banner up to 18.0m can be made by enlarging or reducing original documents made on application software.

However, there are cases in which an 18.0 meter banner cannot be printed because the application software used has limits on the document size that can be set.

The procedure for printing hanging and horizontal banners is as follows:

### 1. Register custom paper size

From **Paper Size**, use **Manage Custom Sizes...** to [register the paper size](#) that you want to use.

### 2. Select the paper size

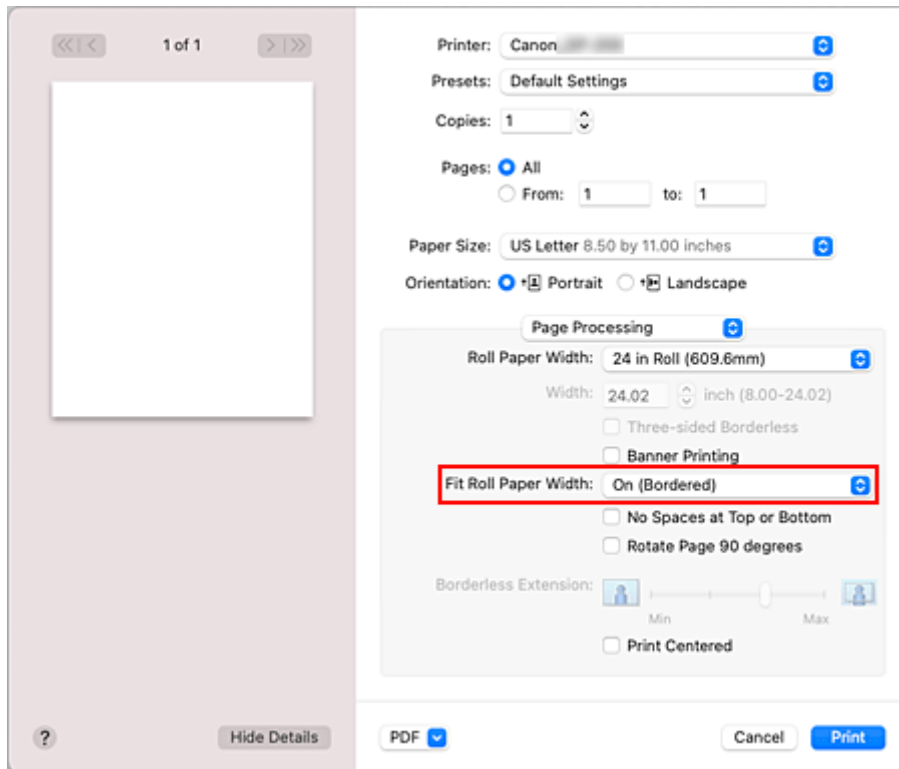
In the [Print dialog](#), select a registered custom paper size from the **Paper Size** list.

### 3. Select **Page Processing** from the pop-up menu

### 4. Select roll paper width

Set **Roll Paper Width** to the width of the roll paper loaded in the printer.

### 5. Selecting **On (Bordered)** or **On (Borderless)** for **Fit Roll Paper Width**





## Important

- When using the customer paper size and printing the whole sheet without edges, create a paper size with the **Non-Printable Area** values all set to 0mm in **Manage Custom Sizes...** from **Paper Size**, and select **On (Bordered)** from the **Fit Roll Paper Width** in **Page Processing**.

### 6. Complete the setup

Click **Print**.

When you print, the hanging or horizontal banner is printed by using the custom paper size.

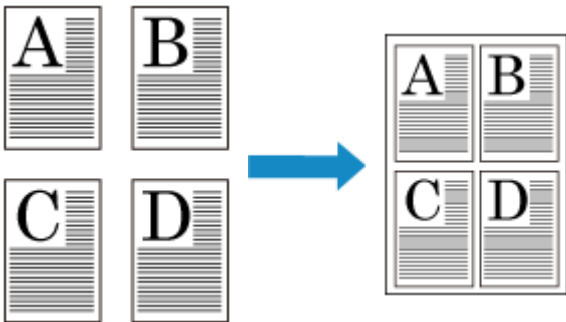
## **Printing by Dividing/Joining Documents**

---

- **Lining Up and Printing Multiple Documents**
- **Printing by Connecting Multiple Pages**
- **Printing Multiple Pages All on One Page**

## Lining Up and Printing Multiple Documents

You can line up multiple documents that were created separately and print them together on one page.



The procedure for lining up and printing multiple documents is as follows:

1. In [Print dialog](#), select Canon imagePROGRAF Free Layout for **PDF**

Canon imagePROGRAF Free Layout is started.

Canon imagePROGRAF Free Layout allows you to edit and rearrange images.

2. Execute printing

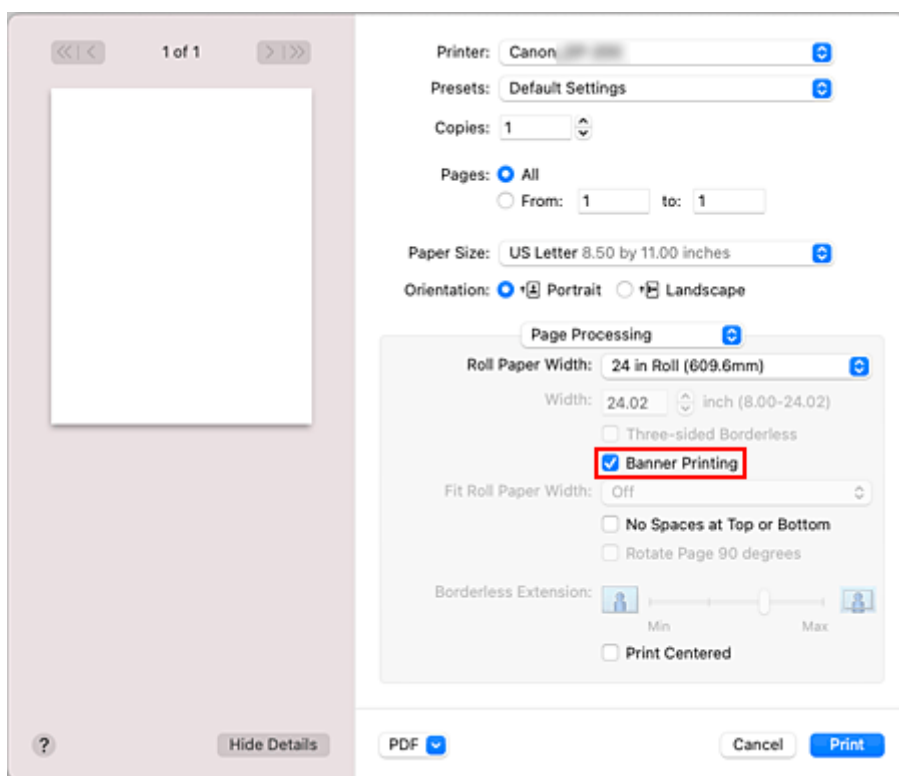
From the **File** menu of Canon imagePROGRAF Free Layout, select **Print...** to execute printing.

## Printing by Connecting Multiple Pages

Print documents with several pages as one continuous document. When you do this, the spaces between the pages will be removed.

The procedure for printing by connecting multiple pages is as follows:

1. Select **Quality & Media** from the pop-up menu of the [Print Dialog](#)
2. Select the paper source  
Select **Roll Paper** for **Paper Source**.
3. Select **Page Processing** from the pop-up menu
4. Setting Banner Printing  
Check the **Banner Printing** check box.



5. Complete the setup

Click **Print**.

When you print, the document is printed with the multiple pages connected.

### ►► Important

- When "XXX Borderless" or "XXX Cut Sheet" is selected for **Paper Size** in the Print dialog, **Banner Printing** is grayed out and cannot be set.

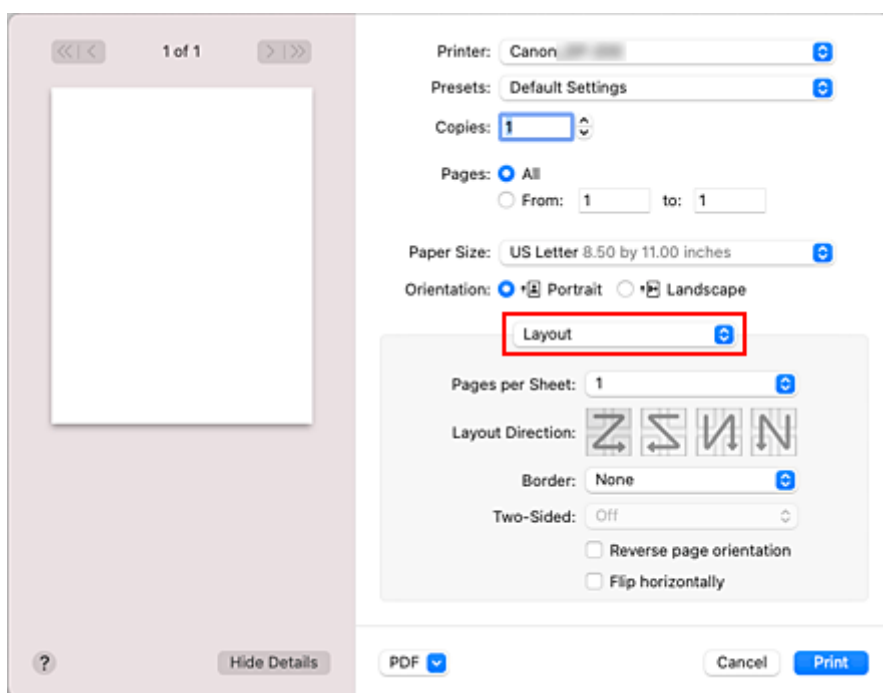
## Printing Multiple Pages All on One Page

The page layout printing function allows you to print more than one page image on a single sheet of paper.



The procedure for performing page layout printing is as follows:

1. Select **Layout** from the pop-up menu in the [Print Dialog](#)



2. Set the number of original you print on one page

In **Pages per Sheet**, specify the number of page you print on one page.

3. If necessary, set the following items

### Layout Direction

To change the page placement order, select an icon from the list.

### Border

To print a page border around each document page, select a type of page border.

### Reverse page orientation

Select this check box to change the paper orientation.

**Flip horizontally**

Select this check box to reverse left and right of the document.

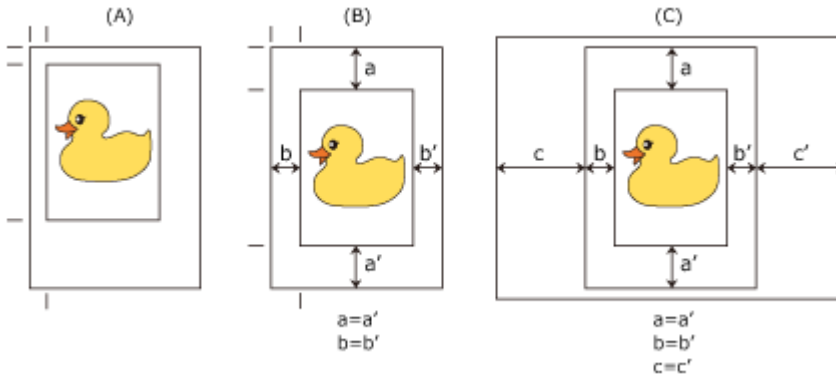
**4. Complete the setup**

Click **Print**.

When you execute print, the specified number of pages will be arranged on each sheet of paper in the specified order.

## Printing Document in Center of Paper

When you want to position the source document in the middle of the cut paper and print, or print with even margins on the right and left in relation to the width of the roll paper, use the **Print Centered** function. The print results when setting with **Print Centered** are as follows. Normally, if **Print Centered** is set when printed as in (A), it will be printed as in (B) for cut paper and (C) for roll paper.



### ►► Note

- When setting the magnification using **Scale** in the [Page Setup Dialog](#), a fixed point at the upper left corner of a page is always used as a start point for enlarging or reducing the page. For that reason, when performing reduced printing, the bottom and right margins of the paper will increase. At this time, if you place a checkmark next to **Print Centered**, the top, bottom, left and right margins can all be printed evenly.

The procedure for printing to the center of the paper is as follows:

#### 1. Select the paper size

From **Paper Size**, select the size of the paper you want to print.

#### 2. Select **Quality & Media** from the pop-up menu

#### 3. Select the media type

For **Media Type**, select the same paper type loaded in the **printer**.

#### 4. Select the paper source

For **Paper Source**, select the setting that matches your purpose.

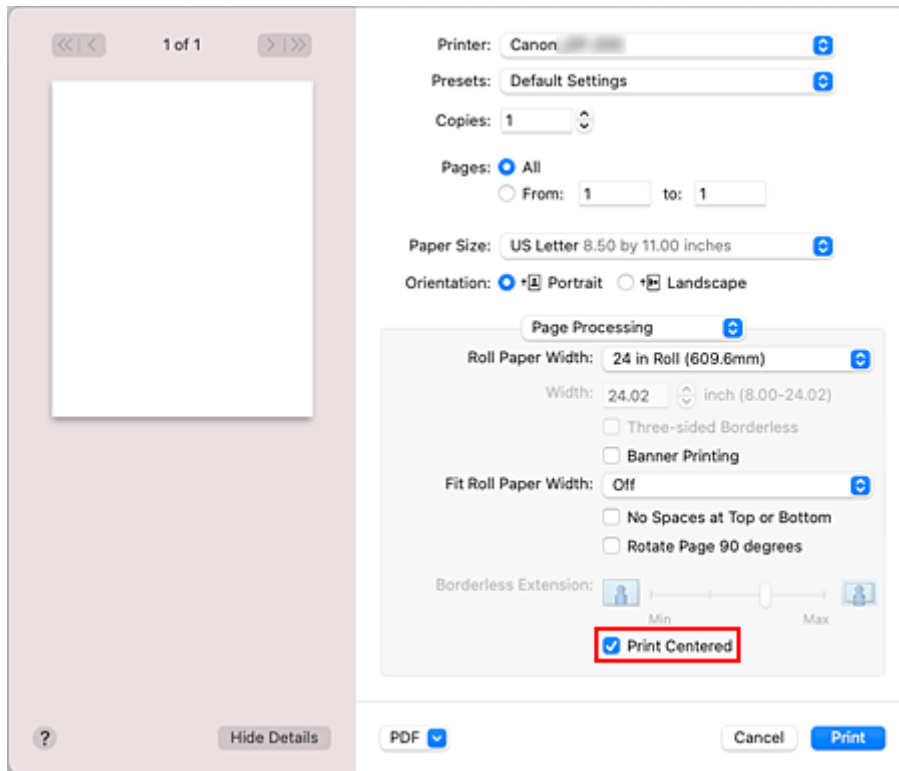
#### 5. Select **Page Processing** from the pop-up menu

#### 6. Selecting Roll Paper Width

If you selected a roll paper for **Paper Source**, set **Roll Paper Width** to the width of the roll paper loaded in the printer.

#### 7. Print document in the center of paper

Check the **Print Centered** check box.



## 8. Complete the setup

Click **Print**.

When you print, the printer automatically lays out the document to the center of the page and then prints it.

### »» Important

- When you select "XXX Borderless" from **Paper Size** in the print dialog, the **Print Centered** is grayed out and cannot be selected.



## **Printing by Saving Roll Paper**

---

- **Saving Roll Paper by Rotating Document 90 Degrees**
- **Saving Roll Paper by Eliminating Upper and Lower Margins on Document**

## Saving Roll Paper by Rotating Document 90 Degrees

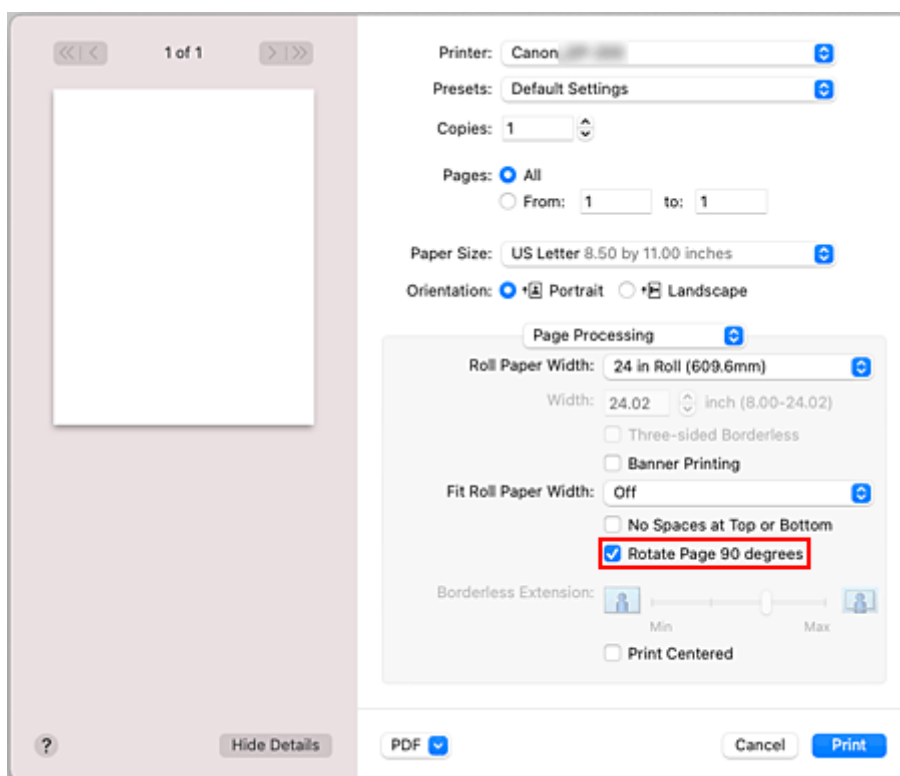
When printing a portrait document on roll paper, you can save paper by rotating the document 90 degrees and printing the document so that it is oriented horizontally relative to the paper.

The procedure for saving paper by rotating the document 90 degrees is as follows:

1. Select **Page Processing** from the pop-up menu of the [Print Dialog](#)

2. Selecting Paper Saving

Select the **Rotate Page 90 degrees** check box.



3. Complete the setup

Click **Print**.

When you print, you can rotate a portrait document 90 degrees to save paper.

### Important

- If the **Banner Printing** check box is selected for **Page Processing**, **Rotate Page 90 degrees** is grayed out and cannot be set.
- When selecting paper in portrait format from **Paper Size** in the print dialog, when this is longer than the width selected in **Roll Paper Width**, **Rotate Page 90 degrees** cannot be used.

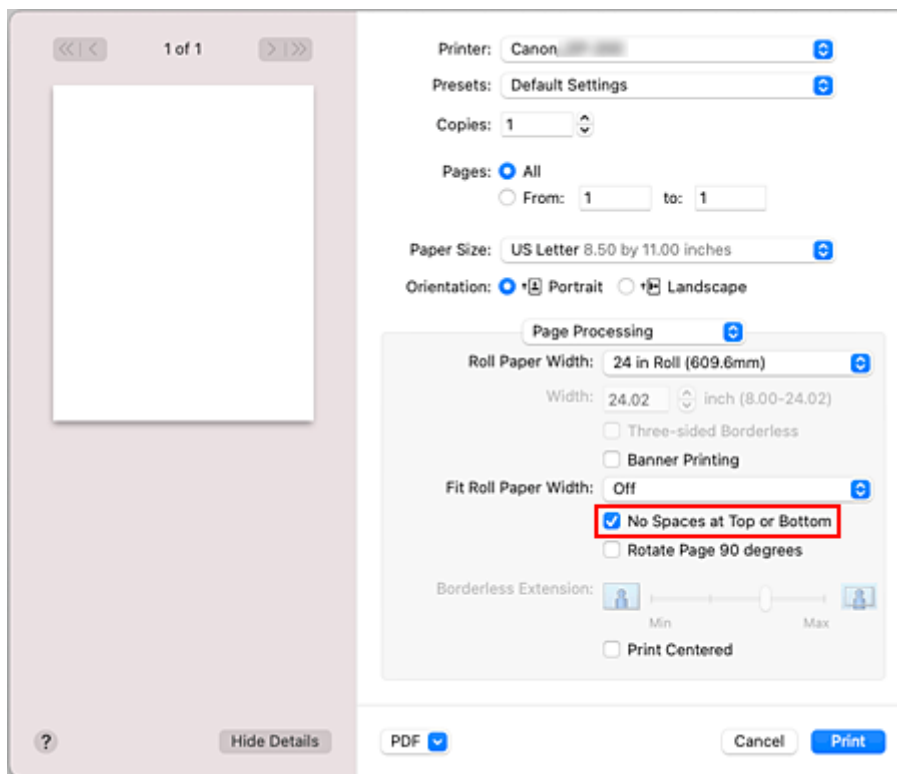
## Saving Roll Paper by Eliminating Upper and Lower Margins on Document

When printing on roll paper, you can save paper by reducing the upper and lower margins when printing.

The procedure for saving paper by reducing the upper and lower margins is as follows:

1. Select **Quality & Media** from the pop-up menu of the [Print Dialog](#)
2. Select the paper source  
Select **Roll Paper** for **Paper Source**.
3. Select **Page Processing** from the pop-up menu
4. Selecting Paper Saving

Check the **No Spaces at Top or Bottom** check box.



5. Complete the setup

Click **Print**.

When you print, the upper and lower margins are reduced so that you can save paper.

## Switching the Paper Source to Match the Purpose

This printer has two paper sources: Roll Paper and Cut Sheet.

You can facilitate printing by selecting a paper source setting that matches your media type or purpose.

The procedure for setting paper source is as follows:

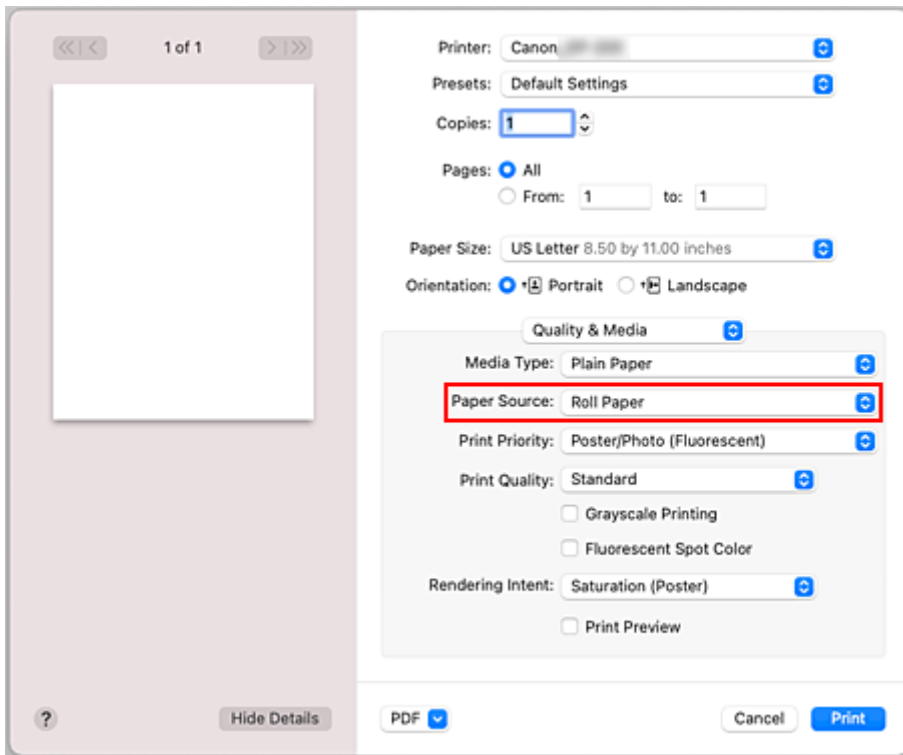
1. Select **Quality & Media** from the pop-up menu of the [Print Dialog](#)

2. Select the media type

For **Media Type**, select the same paper type loaded in the printer.

3. Select the paper source

For **Paper Source**, select the item below that matches your purpose.



### Roll Paper

Feeds paper using roll paper.

### Cut Sheet

Feeds paper that was cut to a specific paper size.

4. Complete the setup

Click **Print**.

When you execute print, the printer uses the specified paper source to print the data.

**»» Note**

- If the paper settings in the printer driver differ from the paper information registered on the printer, an error message may appear on the printer's operation panel. You can still print but you may not be able to obtain correct print results.

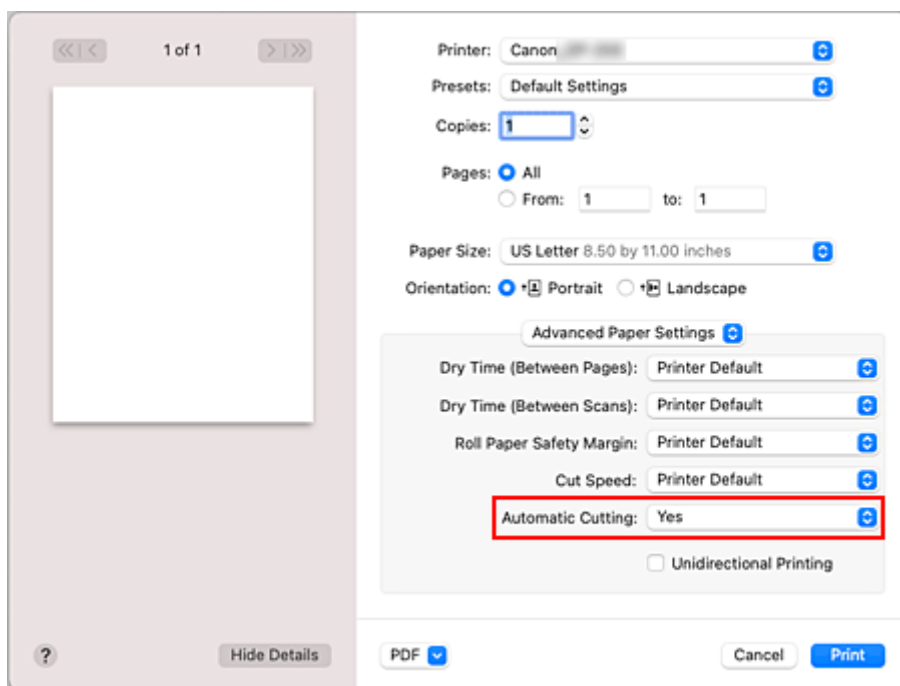
## Cutting Roll Paper after Printing

The procedure for cutting roll paper automatically and printing cut guidelines is as follows:

1. Select **Advanced Paper Settings** from the pop-up menu of the [Print Dialog](#)

2. Setting Auto Cut

From **Automatic Cutting**, select the setting that matches your purpose.



### Yes

The roll paper is cut automatically after printing.

### None

The roll paper is not cut after printing.

### Print Cut Guideline

Cut guidelines are printed for cutting the roll paper manually after printing.

### ▶▶▶ Note

- The default setting for automatic cutting is **Yes**.

3. Complete the setup

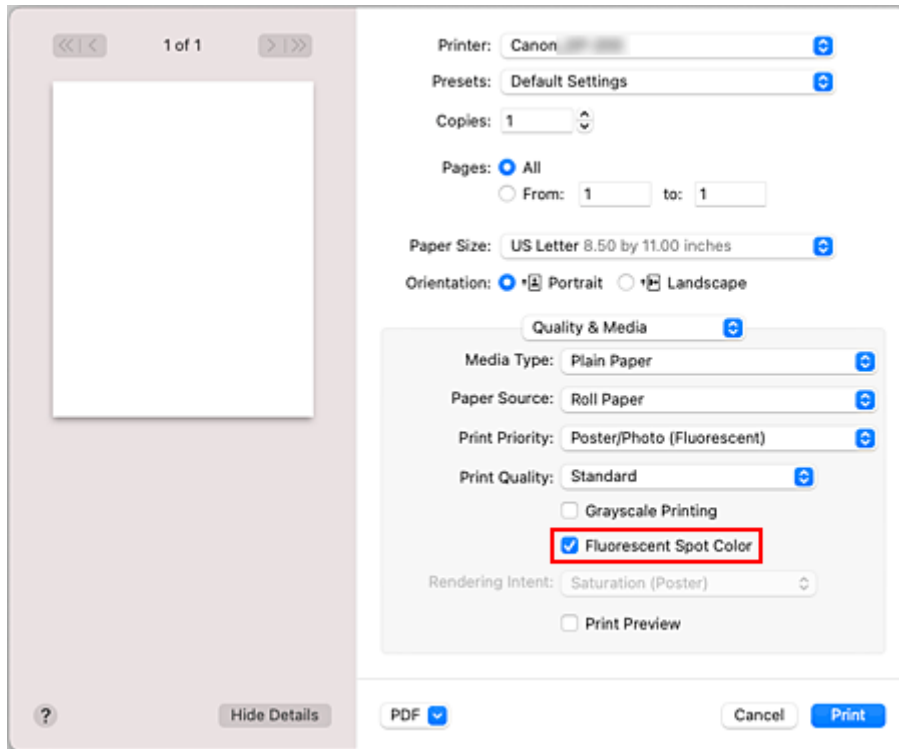
Click **Print**.

When you print, the status after printing is set to whatever was set in **Automatic Cutting**.

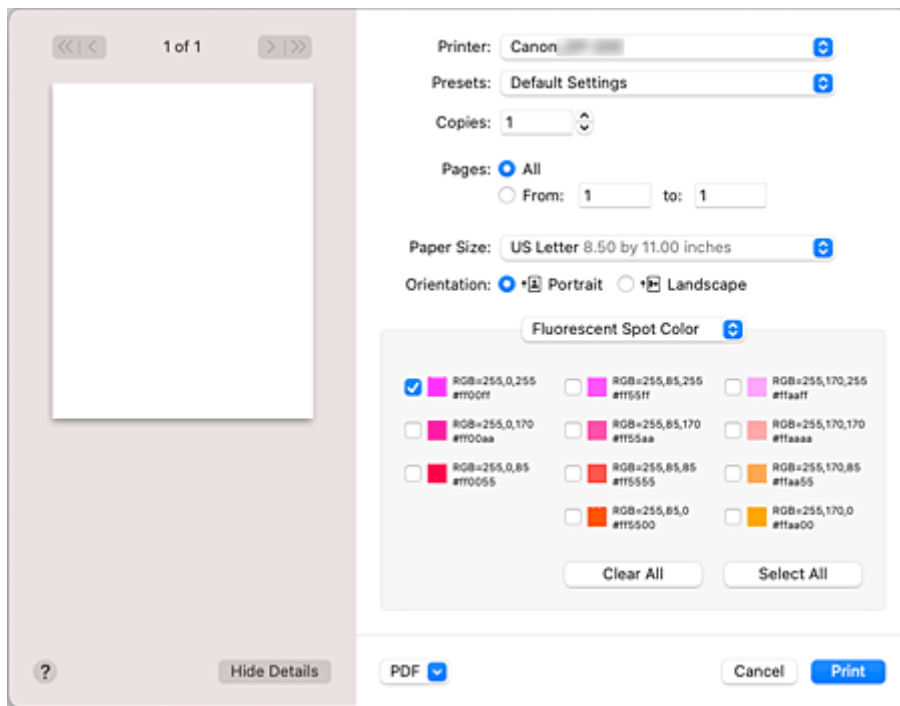
## Specify Fluorescent Colors and Print

You can set specific RGB values in advance for text and figures that are painted over (single-color painting) with the color palette of the application you are using, and print the specified sections of posters with bright colors using fluorescent ink.

1. Add a checkmark to **Fluorescent Spot Color** in **Quality & Media**.



2. Select **Fluorescent Spot Color** from the pop-up menu, and then add a checkmark to the color of the fluorescent ink you want to print with.



You can print the color palette from the printer operation panel. Print to the paper of your choice, and set the RGB values as you check the colors.

➔ [Test print](#)

### 3. Print

The color that you added the checkmark for will be brightly printed.

#### ▶▶▶ Note

- When printing by specifying fluorescent colors, the RGB values set by the application software must be retained when being input to the printer driver. If color management is performed during printing by the application software, the RGB values are not retained, and therefore may not produce the desired print results. If this happens, configure the settings on the application software as follows.
  - For detailed instructions on settings, see the user's guide of the application software you are using.
    - Disable color management and color adjustment functions during printing.
    - Configure settings so that color management during printing is performed by the printer.
    - For color management during printing, specify the same profile as the document profile.
- Under the following conditions, printing may not produce the desired results.
  - Text or shapes that have been shaded, rotated, or anti-aliased
  - Data with specified RGB values that were saved in GIF format
- Sections that are close to the specified RGB values will also be printed with bright colors.



## Printing Using AirPrint

You can print photographs, E-mails, web pages, and other documents using AirPrint, even if the printer driver is not installed or the application is not downloaded.

### »» Important

- There are [restrictions](#) for printing with AirPrint. Please be aware in advance. If you want to use all the functions of the printer, use the Canon IJ printer driver.

## Checking Your Environment

First, check your environment.

- AirPrint Operation Environment
  - Mac running the latest version of OS
- Requirement
  - The Mac and the printer must be connected by one of the following methods:
    - Connected to the same network over a **LAN**
    - Connected directly without wireless router (Direct Connection)
    - Connected by USB

## Add The Printer as AirPrint Printer on Your Mac

1. Open **System Preferences** -> **Printers & Scanners**
2. Click **+** next to the printer list
3. Select your printer listed as **Bonjour**
4. Select **Secure AirPrint** from **Use**
5. Click **Add**

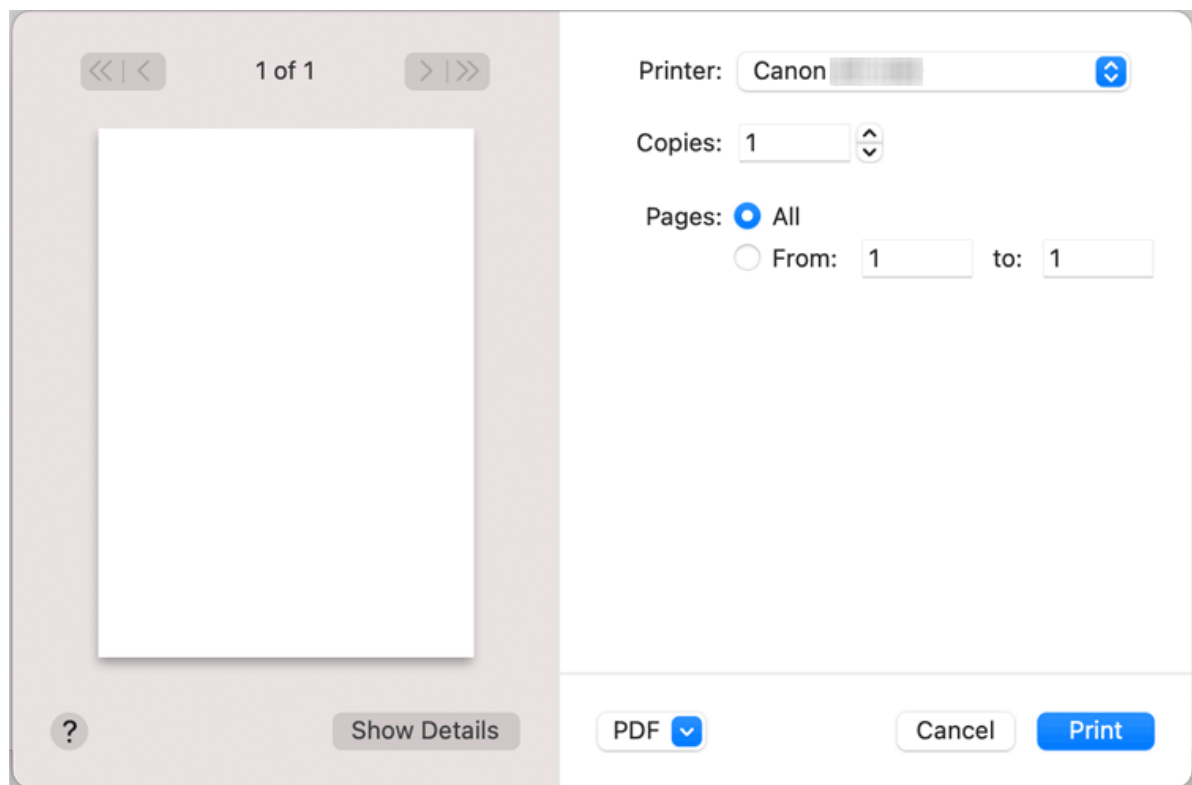
The Printer will be added as AirPrint Printer on Your Mac

## Print with AirPrint from a Mac

1. [Check that printer is turned on](#)
2. Load paper in printer
  - Set [roll paper](#) or [cut paper](#).
3. Start printing from your application software
  - The Print dialog opens.

#### 4. Select printer

Select your model from the **Printer** list in the Print dialog.



#### ▶▶▶ Note

- Click **Show Details** to switch the setup window to the detailed display.

#### 5. Check print settings

Set paper size and other items as needed.

Set paper type from the printer.

#### ▶▶▶ Note

- Use the Print dialog to set general print settings such as the layout and the print sequence. For information about print settings, refer to macOS help.
- You can set **Print quality settings (Color mode, Print resolution, and Print target)**, **Paper settings (No Top/Btm Space (Save Paper) and Unidirectional printing)**, and **Magnification level for borderless** on the operation panel of the printer. For details, see "[Print settings](#)."

#### 6. Click **Print**

The printer prints according to the specified settings.

#### ▶▶▶ Note

- It can take the Wi-Fi a few minutes to get connected after the printer turns on. Print after checking that the printer is connected to the network.
- You cannot use AirPrint if Bonjour settings of printer are disabled. Check **LAN** settings of printer and enable Bonjour settings.
- Refer to "[Cannot Print Using AirPrint](#)" for printing problems when using AirPrint.

- The display of the settings screen may differ depending on the application software you are using.

## Deleting Print Job

Use **Stop** button from printer to cancel the print job.

## Restrictions on the AirPrint

- If **A2+**, **A3+**, or **13 x 22** is selected for **Paper Size** in the print dialog, part of the image may not fit on the paper.
- If printing cut paper, the bottom edge of the image may be cut out.
- To perform borderless printing, configure settings in **Paper Size**. Depending on the type of paper, print results might have slight margins on the left and right edges.
- If printing cut paper, feed the paper vertically. If the paper is fed horizontally, it will still print vertical images.
- When printing images with large data sizes, the color may turn out uneven. In this case, select **Printer settings** -> **Hard disk settings** -> **Save first and print** -> **ON** on the operational panel of the printer.
- Some paper sizes that are compatible with the Canon IJ printer driver are not compatible with AirPrint. If using these sizes, set a custom size.
- Canon imagePROGRAF Free Layout and Canon imagePROGRAF Preview cannot be used.

## Printing from Printer

---

- **Printing Data Saved on USB Flash Drive**

## Printing Data Saved on USB Flash Drive

You can print photo data (JPEG file) or document data (PDF file) saved on the USB flash drive easily.

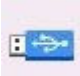
### ▶▶▶ Note

- Restrictions on printable PDF/JPEG files
  - PDF file:
    - Files which conforms to V 1.7
    - Does not support overprint or some of transparent processing.
    - Font embedding is recommended. If a font is not embedded, it is replaced with one of the built-in fonts below.  
Times-Roman, Helvetica, Courier, Symbol, Times-Bold, Helvetica-Bold, Courier-Bold, ZapfDingbats, Times-Italic, Helvetica-Oblique, Courier-Oblique, Times-BoldItalic, Helvetica-BoldOblique, Courier-BoldOblique
  - JPEG file:
    - Files which conforms to JFIF 1.02
    - Supports the files with the following conditions.
    - Processing method: Basic DCT
    - Color mode: RGB/GrayScale
    - Number of colors: 24bit/8bit
    - Number of pixels: 38400 or less vertically and horizontally
    - Does not support some samplings

#### 1. Load paper.

- ➔ [Loading Rolls in the Printer](#)
- ➔ [Loading Sheets in the Printer](#)

#### 2. Insert USB flash drive into USB flash drive port.

3. Tap on  (**Print from USB flash drive**) displayed on the top right of the HOME screen.

### ▶▶▶ Note

- When the message informing you that the operation restriction is enabled, ask the administrator of the printer you are using.
- If no printable data is saved on the USB flash drive, **There are no files that can be printed.** is displayed on the touch screen.

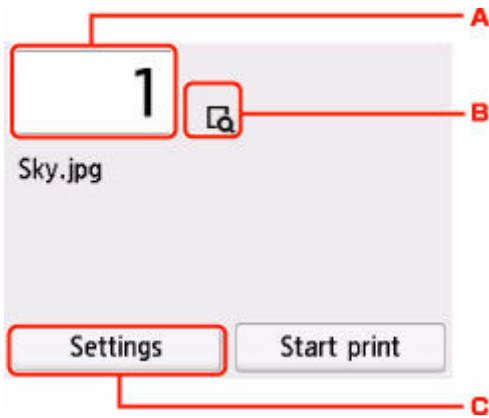
#### 4. In the list, tap folder or data to print.

Tapping a folder displays the data list. Tap the data to print.

»» Note

- If no printable data is saved on the folder you tapped, **There are no files that can be printed.** is displayed on the touch screen.

The following screen is displayed.



**A.** Number of copies

Tap to display the screen below and specify the number of copies.

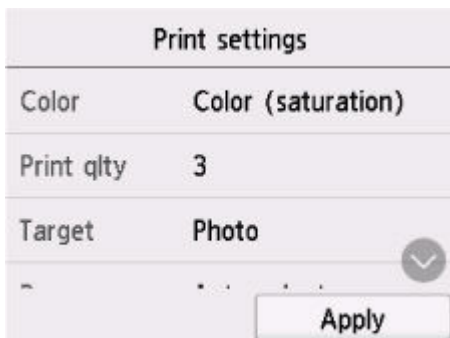


**B.** Preview

Tap to preview an image of the printout on the preview screen.

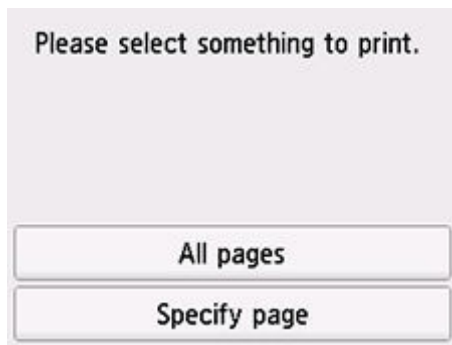
**C.** Settings

Tap to display the **Settings** screen. You can check and change the print settings.



**5.** Tap **Start print**.

The following screen is displayed.



**All pages**

Tap to start printing all pages.

**Specify page**

Tap to specify a page to print. Tap **OK** to start printing the specified page.

**»» Note**

- Tapping **Yes** on the displayed screen returns to step 4. Tapping **No** returns to HOME screen.

## Printing from Smartphone/Tablet

---

For more on printing from a device, refer to the device's or application's instruction manual.

- ▶ **Print Easily from a Smartphone or Tablet with Canon PRINT Inkjet/SELPHY**
- ▶ **Printing from iOS Device (AirPrint)**



## Printing from iOS Device (AirPrint)

Use AirPrint to print photographs, E-mails, web pages, and other documents without having to download special applications.

### »» Important

- There are [restrictions](#) for printing with AirPrint. Please be aware in advance.

## Checking Your Environment

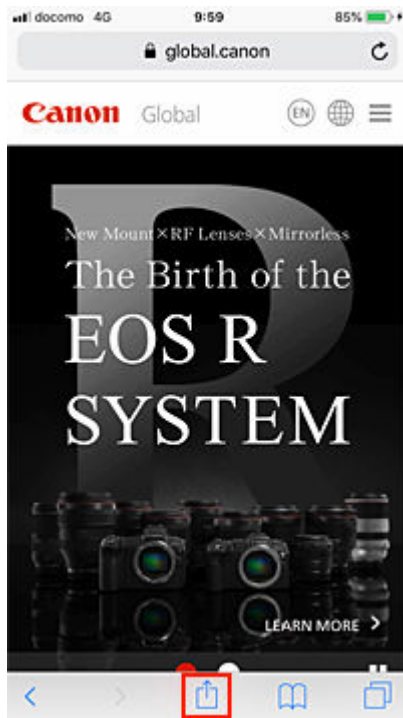
First, check your environment.

- AirPrint Operation Environment  
iPhone, iPad, and iPod touch running the latest version of iOS / iPadOS
- Requirement  
The iOS device and the printer must be connected by one of the following methods:
  - Connected to the same network over a **LAN**
  - Connected directly without wireless router (Direct Connection)

## Printing with AirPrint from iOS Device

1. [Check that printer is turned on](#)
2. Load paper in printer  
Set [roll paper](#) or [cut paper](#).
3. Tap operation icon using your iOS device's application

The following screen appears when printing from iOS 12's Safari. The screen differs depending on the devices or applications.



Menu options appear.

#### 4. Tap Print



#### 5. Select your model name from **Printer** on **Printer Options**

##### »»» Important

- Because some applications do not support AirPrint, **Printer Options** may not be displayed. If an application does not let you use printer options, you cannot print from that application.

## 6. Check Print Settings

Set the number of copies to be printed and print options, as needed.

## 7. Tap **Print**

The printer prints according to the specified settings.

### »» **Note**

- It can take the Wi-Fi a few minutes to get connected after the printer turns on. Print after checking that the printer is connected to the network.
- You cannot use AirPrint if Bonjour settings of printer are disabled. Check **LAN** settings of printer and enable Bonjour settings.
- Refer to "[Cannot Print Using AirPrint](#)" for printing problems when using AirPrint.

## **Paper Size**

With AirPrint, the paper size is selected automatically according to the application being used on the iOS device and the region in which AirPrint is used.

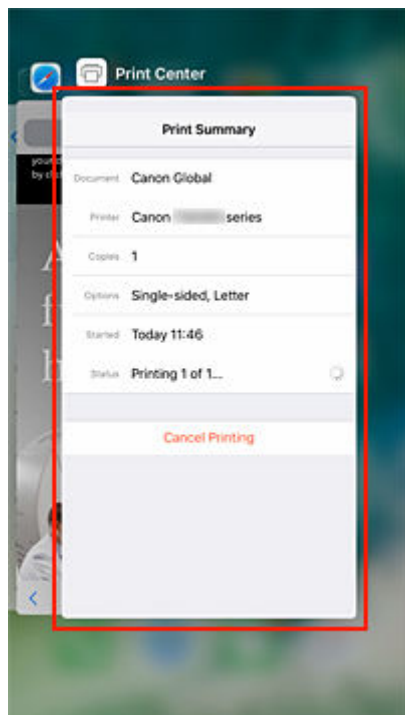
### »» **Important**

- Depending on the device or OS, the initial settings of paper size may differ. Test printing is recommended.
- Depending on the application you are using, the available paper size may differ.

## **Checking Print Status**

You can check the print status of AirPrint from **Print Center**.

Tap **Print Center** that is displayed in multitasking mode on your iOS device.



## Deleting Print Job

To delete a print job with AirPrint, use one of the following two methods:

- From printer: Use **Stop** button to cancel the print job.
- From iOS device: Tap **Print Center** that is displayed in multitasking mode. In the screen that appears, tap on the print job to be deleted, and then tap **Cancel Printing**.

## Restrictions on the AirPrint

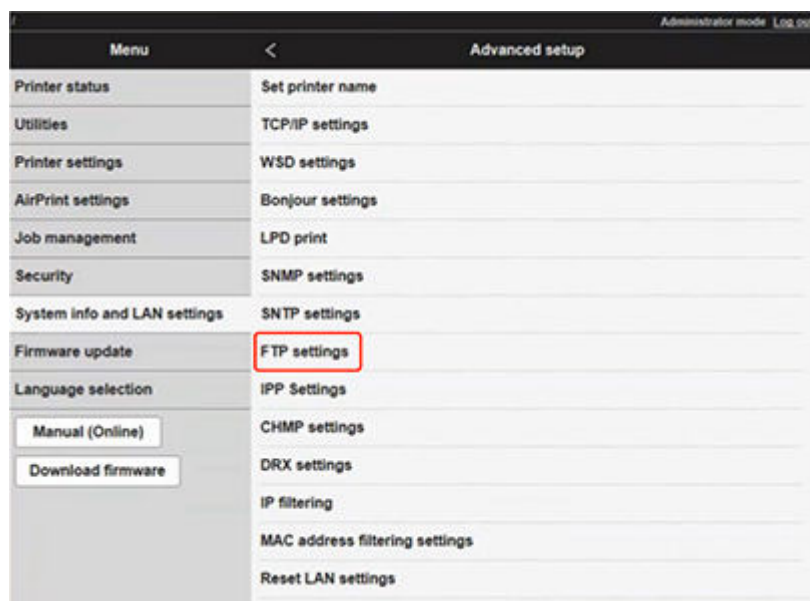
- If **A2+**, **A3+**, or **13 x 22** is selected for **Paper Size** in the print dialog, part of the image may not fit on the paper.
- If printing cut paper, the bottom edge of the image may be cut out.
- If printing cut paper, feed the paper vertically. If the paper is fed horizontally, it will still print vertical images.
- To perform borderless printing, configure settings in **Paper Size**. Depending on the type of paper, print results might have slight margins on the left and right edges.
- When printing images with large data sizes, the color may turn out uneven. In this case, select **Printer settings** -> **Hard disk settings** -> **Save first and print** -> **ON** on the operational panel of the printer.

## Enlarging Copy with imageRUNNER ADVANCE

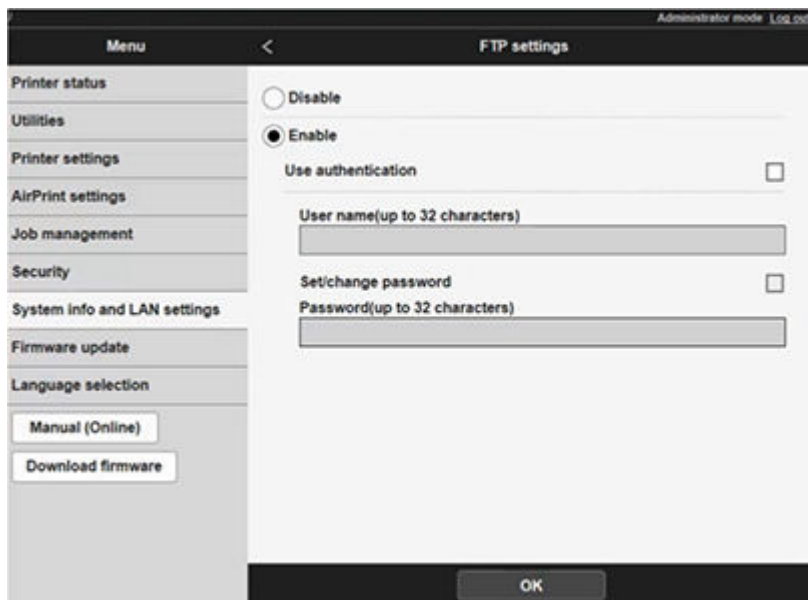
Copy scanned with imageRUNNER ADVANCE can be sent to the printer via FTP.

### Enable FTP from Remote UI.

1. Start up Remote UI.
  - ➔ [Start up Remote UI](#)
2. Select **System info and LAN settings**.
3. Select **LAN settings**.
4. Select **Advanced setup**.
5. Confirm displayed message and tap **Yes**.
6. Select **FTP settings**.



7. Select **Enable**.



8. Select **Use authentication** check box and **Set/change password** check box, and then enter a user name and password.

The user name and password you enter in this step are used for FTP authentication.


Enter the same value for FTP settings of imageRUNNER ADVANCE.

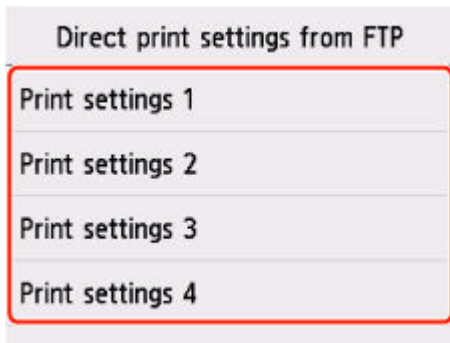
9. Select **OK**.

**Please wait momentarily** appears and returns to the startup screen.

10. Close web browser.

## Perform enlarge settings on the operation panel.

1. Tap  (**Setup**) on HOME screen.  
 ➔ [Home Screen Menu Composition](#)
2. Tap **Printer settings**.
3. Tap **Print settings**.
4. Tap **Direct print settings from FTP**.
5. Select the number to set and tap.

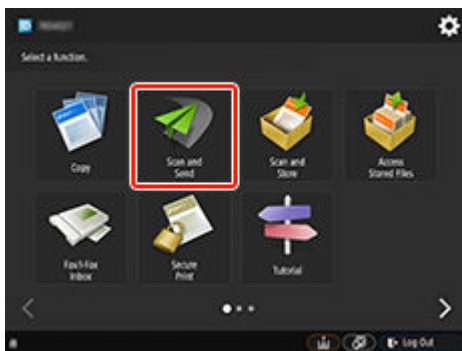


See the following two types of enlargement setting methods.

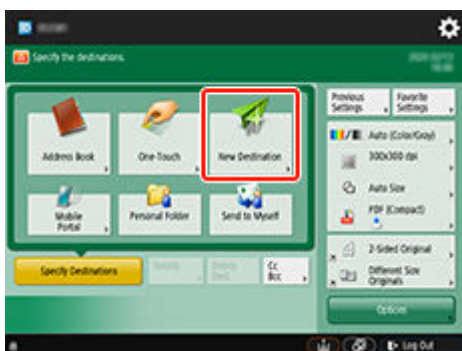
- ➔ [Fitting to Paper Width](#)
- ➔ [Specifying Magnification Level](#)

## Scan and enlarge copy

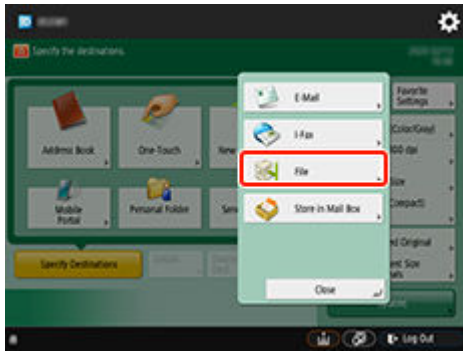
1. Place the copy on the platen glass or feeder of imageRUNNER ADVANCE.
2. Select **Scan and Send**.



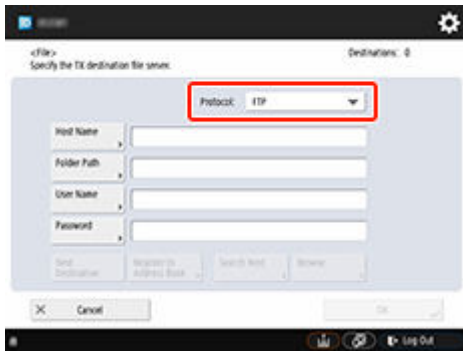
3. Tap **New Destination**.



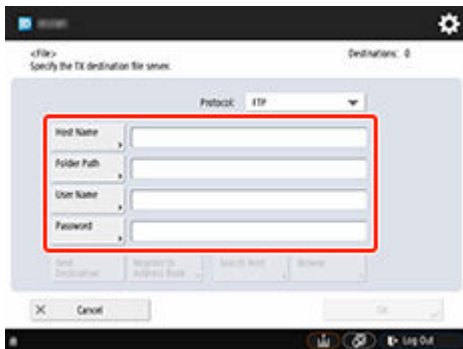
4. Tap **File**.



5. Tap **FTP** from the **Protocol** drop-down list.



6. Enter setting items.



Enter the printer's IP address as the **Host Name**.

**▶▶▶ Note**

- We recommend that you set a fixed IP address for your printer.

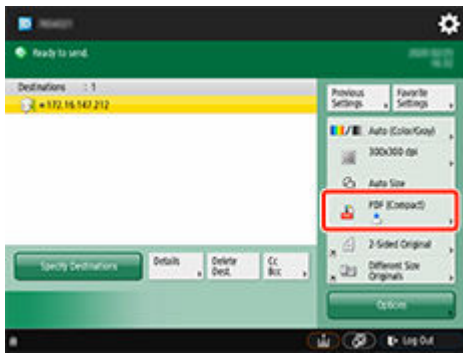
Enter **"/folderN"** in **Folder Path**. ("N" represents the print setting number specified in the **Direct print settings from FTP** screen on the printer.) For example, to enter the pathname for **Print settings 1**, enter **"/folder1"**. For **Print settings 2**, enter **"/folder2"**.

Use the same **User Name** and **Password** that you set for FTP authentication in the Remote UI.

7. Tap **OK**.

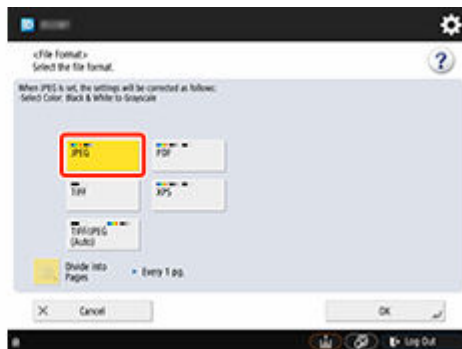
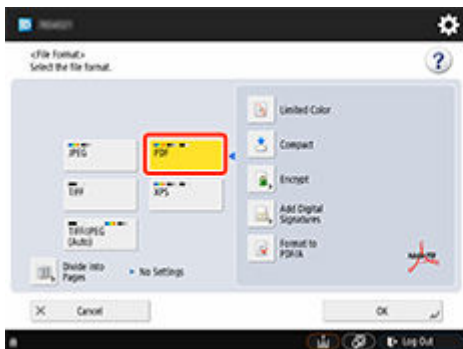
8. Tap the setting button for file format.





## 9. Select File Format.

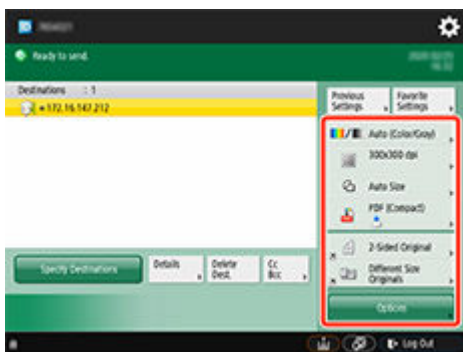
Select **PDF** or **JPEG**.



### ➤➤➤ Note

- If you select **PDF**, remove the check from the **Compact** and **Encrypt** check boxes.


## 10. Specify the settings as necessary.



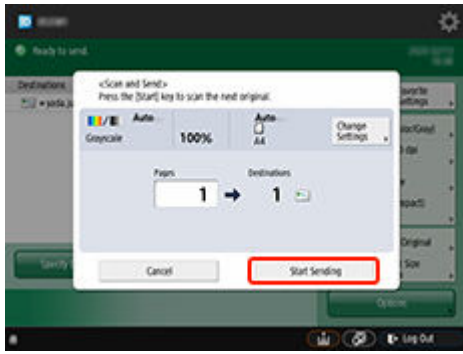
### ➤➤➤ Important

- Select **300x300 dpi** or **600x600 dpi** as the resolution.

## 11. Press (Start).

If you are placing your originals on the platen glass, press  (Start) to scan each original.

## 12. When scanning is complete, tap **Start Sending**.



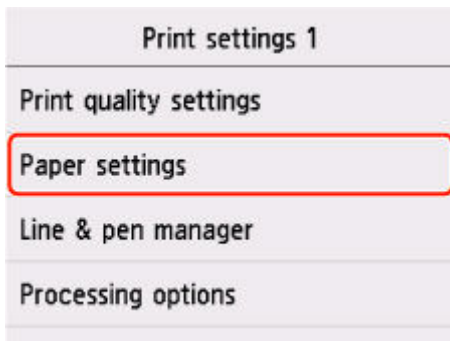
Scanned originals are sent to the printer and printing starts.

### ➤➤ Note

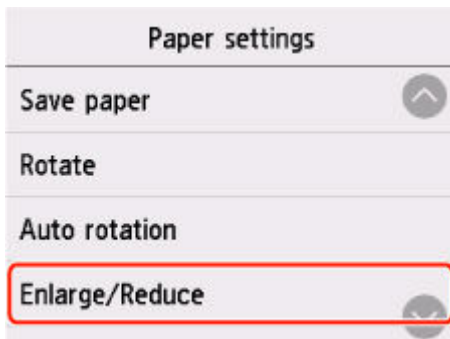
- It is recommended to register the setting contents in **Favorite Settings**.

## Fitting to Paper Width

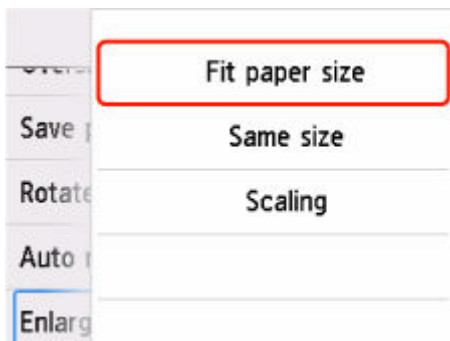
1. Tap **Paper settings**.



2. Tap **Enlarge/Reduce**.



3. Tap **Fit paper size**.



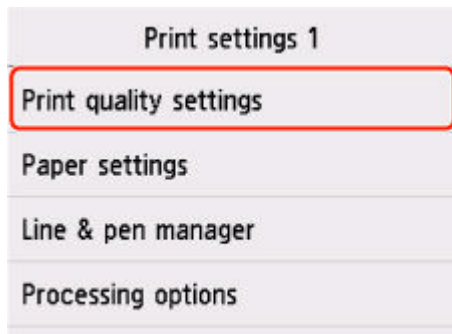
### »» Note

- Change the image quality in **Print quality settings** if necessary.
- You can specify the orientation of the image from **Rotate**.

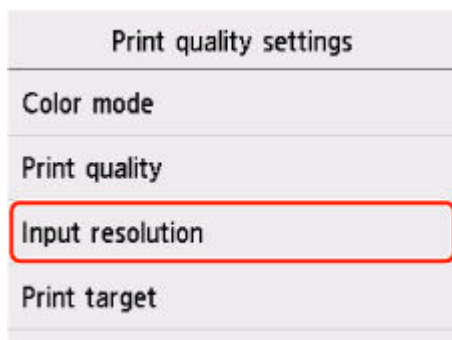
## Specifying Magnification Level

### Setting Input resolution

1. Tap **Print quality settings**.



2. Tap **Input resolution**.



Select the input resolution that matches your output requirements.

#### **600 dpi**

Select when printing at 600 dpi.

#### **300 dpi**

Select when printing at 300 dpi.

#### **Specify print job**

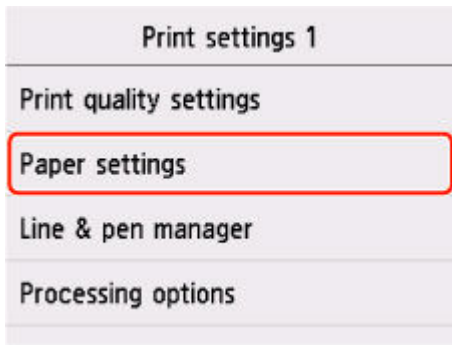
Select to match the input resolution of the printer with the scanning resolution when scanning the original in JPEG format.

#### **»» Important**

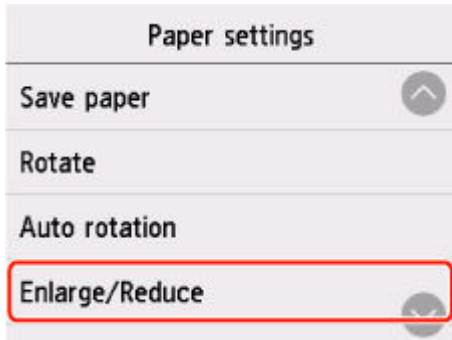
- When scanning the original in JPEG format with imageRUNNER ADVANCE, match the scanning resolution with the input resolution of the printer. If the resolution is different, it will not be printed at the specified magnification level.

### Setting scale percentage

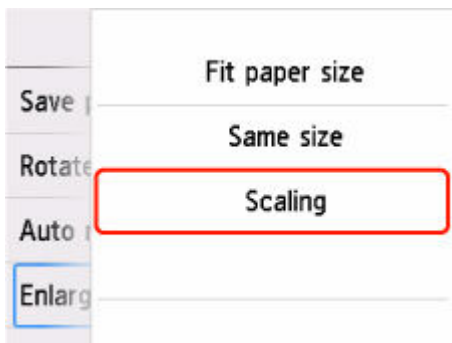
1. Tap **Paper settings**.



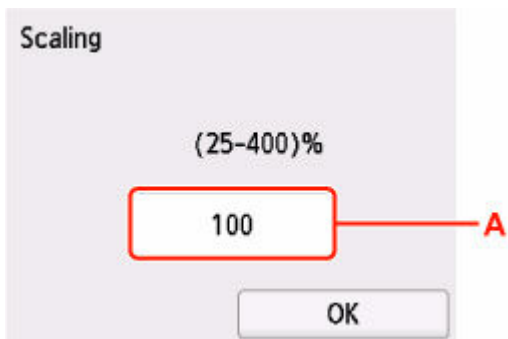
2. Tap **Enlarge/Reduce**.



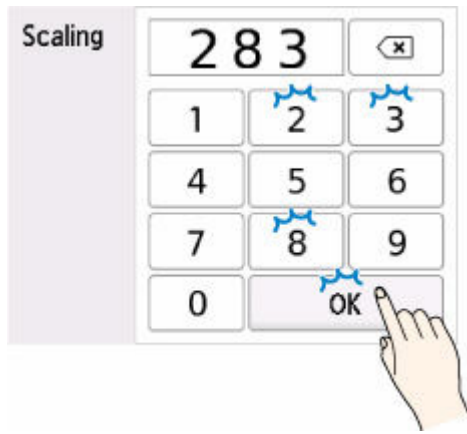
3. Tap **Scaling**.



4. Tap **A** on the displayed screen.

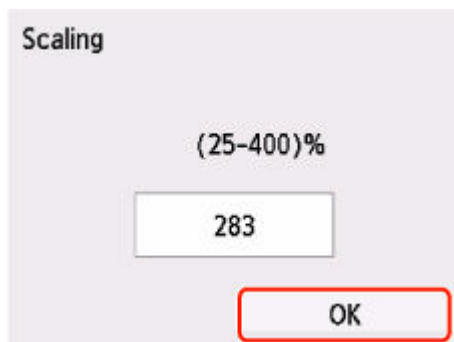


5. Enter the scale percentage, and then tap **OK**.



For commonly used magnification conversions, refer to [Reference for Magnification](#).

6. Select **OK** on the displayed screen.



**▶▶▶ Note**

- Change the image quality in **Print quality settings** if necessary.
- You can specify the orientation of the image from **Rotate**.

**Reference for Magnification**

- ISO A format

		Original size	
		A4	A3
Output size	A4	100%	71%
	A3	141%	100%
	A2	200%	141%
	A1	283%	200%
	A0	400%	283%

- ANSI format

	Original size

		Letter 8.5" x 11"	Legal 8.5" x 14"	Ledger 11" x 17"
Output size	C	200%	157%	129%
	D	258%	242%	200%
	E	400%	314%	258%

- ARCH format

		Original size	
		A	B
Output size	A	100%	66%
	B	133%	100%
	C	200%	133%
	D	266%	200%
	E	400%	266%
	E1	333%	233%

## Printing with Fluorescent Ink

Create items such as posters in bright and vivid color tones using fluorescent ink.



## Using Vivid Color Tones

There are two ways to make your item vivid.

### Printing the Entire Item Vividly (Vivid mode)

Make all warm colors bright and vivid.

This is recommended when a photo or illustration contains multiple warm colors such as pink and orange.



### Printing Colors of Specific Areas Vividly (Spot mode)

Make specific colors bright and vivid using pink or orange fluorescent ink.

This is recommended when you want to enhance text or shapes.





## Creating Vivid Items

In Windows, you can use PosterArtist, an application for creating professional-looking posters even without professional knowledge or technique; simply select a design from a variety of templates and then insert and edit text, photos, clipart, and other materials.

Use PosterArtist to quickly create a bright and vivid item by selecting a template and specifying colors for text and shapes. There is also a function for previewing only the area that will be vivid. For details, see [Creating Vivid Posters Using Fluorescent Colors](#).

### ►► Note

- Even for items you created in your application, you can use PosterArtist to make them vivid by specifying pink or orange fluorescent ink for specific portions. For details, see [Link with PosterArtist to print with bright colors](#).
- You can also open the printer driver from your application and specify the setting for making color tones vivid in the print settings screen. For details, see [Printing By Setting Print Purpose or Specify Fluorescent Colors and Print](#).
- If using macOS, create an item in your application, and then see [Printing with Easy Setup](#) or [Specify Fluorescent Colors and Print](#) and print.

## Printer Driver

---

- Windows Printer Driver
- macOS Printer Driver

## macOS Printer Driver

---

- **Overview of the Printer Driver**
- **Description of Print Dialog**
- **Updating the Printer Driver**

## **Overview of the Printer Driver**

---

- **Canon IJ Printer Driver**
- **Checking Layout in Preview before Printing**
- **Registering a Changed Printing Profile**
- **How to Open the Printer Driver Setup Dialog**
- **Page Setup Dialog**
- **Print Dialog**
- **Updating Media Information in Printer Driver**
- **Correcting Media Information in Printer Driver (When Printer Used in Shared Environment)**
- **Confirm the Printer Paper Information**
- **Setting Accounting Information**
- **Set a PIN Code for Print Jobs**
- **Deleting the Undesired Print Job**
- **Display the Printing Status Screen**
- **Canon IJ Printer Utility2**
- **Opening the Canon IJ Printer Utility2**
- **Checking the Ink Status from Your Computer**
- **Instructions for Use (Printer Driver)**

## Canon IJ Printer Driver

---

The Canon IJ printer driver (called printer driver below) is a software that is installed on your computer for printing data with this printer.

The printer driver converts the print data created by your application software into data that your printer can understand, and sends the converted data to the printer.

Because different models support different print data formats, you need a printer driver for the specific model you are using.

### Using Help of the Printer Driver

You can display Help function from the [Print Dialog](#).

Select a setup item from the pop-up menu in the Print dialog. Then click  at the bottom left of the screen to display an explanation of the item.

Help for the printer driver is displayed when the following pop-up menu item is selected:

- **Quality & Media**
- **Color Options**
- **Fluorescent Spot Color**
- **Advanced Paper Settings**
- **Page Processing**
- **Additional Settings**

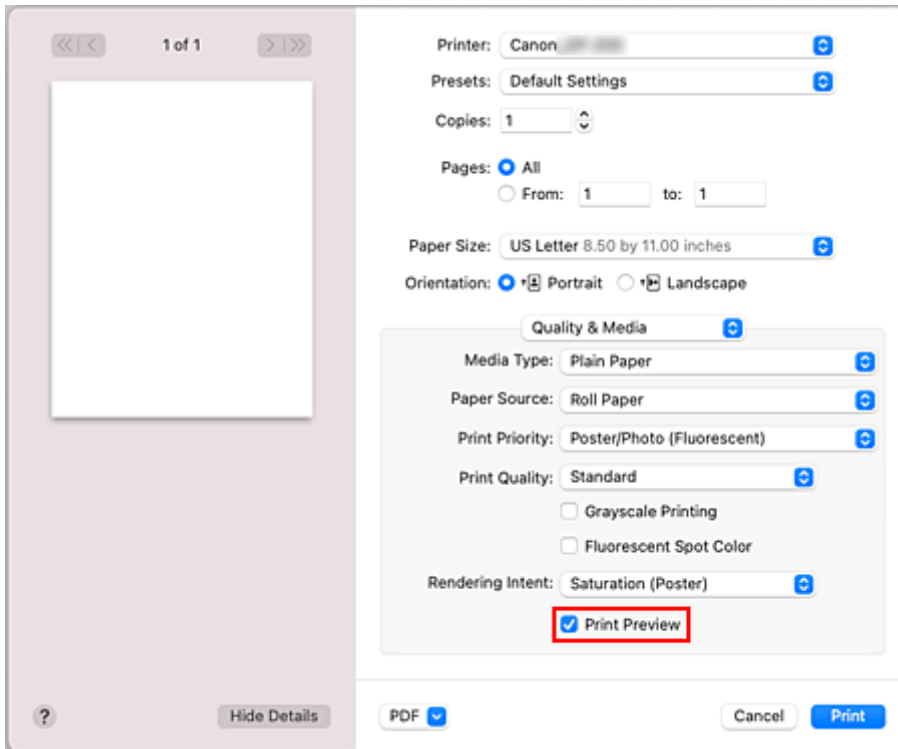
## Checking Layout in Preview before Printing

You can display and check the print result before printing.

The procedure for displaying the print result before printing is as follows:

1. Select **Quality & Media** from the pop-up menu of the [Print Dialog](#)
2. Select Print Preview

Select the **Print Preview** check box.



3. Complete the setup

Click **Print**.

When executing printing, start up Canon imagePROGRAF Preview to display the print results.

### ▶▶▶ Note

- The printing results can be displayed even when selecting Canon imagePROGRAF Preview from **PDF**.

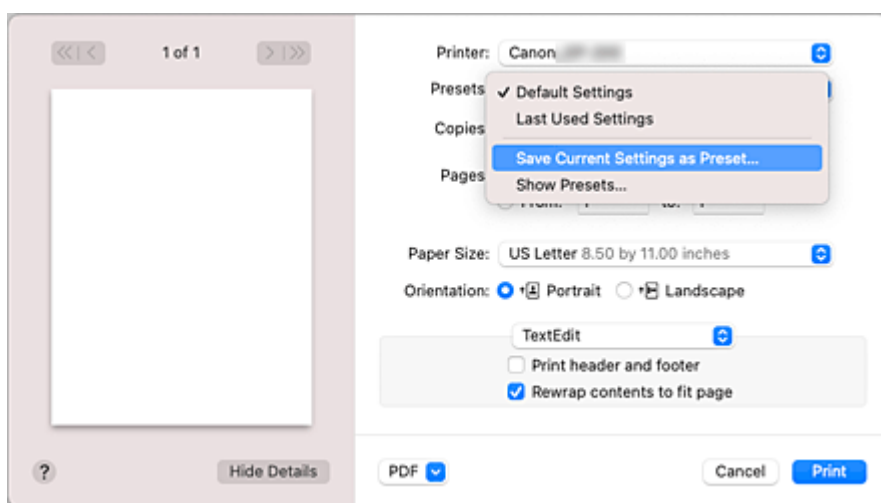
## Registering a Changed Printing Profile

You can name and register the printing profile you made in the [Print Dialog](#). The registered printing profile can be called up from **Presets** to be used. You can also delete the unnecessary printing profile.

The procedure for registering a printing profile is as follows:

### Registering a Printing Profile

1. In the Print dialog, set the necessary items
2. Select **Save Current Settings as Preset...** from the **Presets**



3. Save the settings

In the displayed dialog, enter a name in **Preset Name**, and if necessary, set **Preset Available For**. Then click **OK**.



### Important

- There are also print settings that cannot be saved to preset.

### Using Registered Printing Profile

1. On **Presets** in the Print dialog, select the name of printing profile you want to use

Printing profile in the Print dialog will be updated to the called profile.

## Deleting Unnecessary Printing Profile

### 1. Select the printing profile to be deleted

In the print dialog, select **Show Presets...** in the **Presets** section. Then in the dialog that appears, select the name of the printing profile to be deleted.

### 2. Delete the printing profile

Click -, and click **OK**. The selected printing profiles will be deleted from **Presets**.



## How to Open the Printer Driver Setup Dialog

---

You can display the printer driver setup dialog from the application software you are using.

### Opening the Page Setup Dialog

Use this procedure to set the page (paper) settings before printing.

1. Select **Page Setup...** from the **File** menu of the application software

The [Page Setup Dialog](#) opens.

### Opening the Print Dialog

Use this procedure to set the print settings before printing.

1. Select **Print...** from the **File** menu of the application software

The [Print Dialog](#) opens.

### »» Important

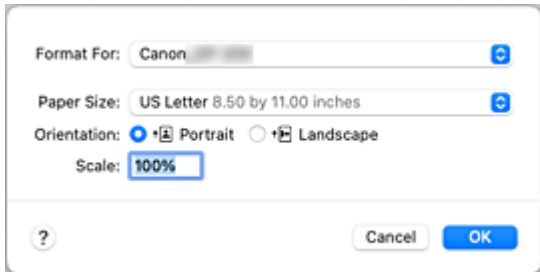
- Depending on the macOS version or the application you are using, the print dialog screen display may differ.  
Also, some features may be restricted.

## Page Setup Dialog

---

In the Page Setup dialog, you configure the basic print settings such as the size of paper loaded in the printer or the scaling ratio.

To open the Page Setup dialog, you typically select **Page Setup...** from the **File** menu of your application software.



### Format For

Select the model to be used for printing.

### Paper Size

Select the size of the paper to be used for printing.

To set a non-standard size, select **Manage Custom Sizes....**

### Orientation

Select the print orientation.

### Scale

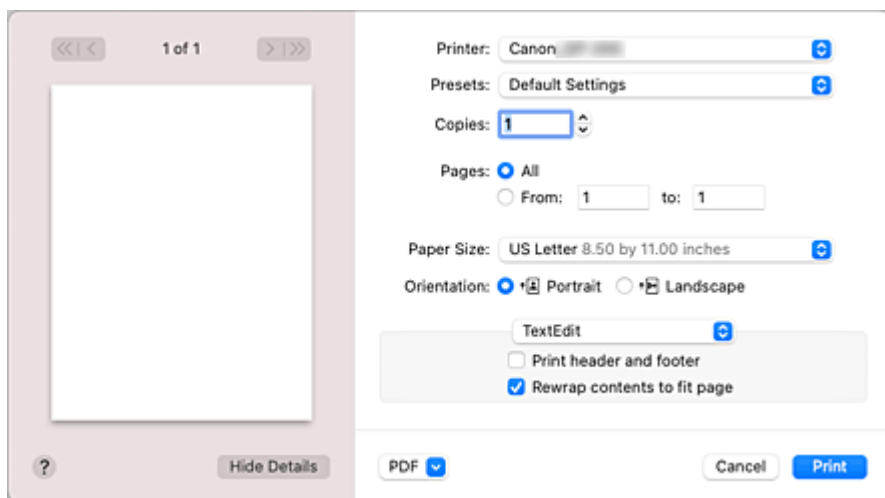
Set the scaling percentage.

You can expand or reduce the size of the document when printing.

## Print Dialog

In the Print dialog, you can set paper type, paper source and print quality to start printing.

To open the Print dialog, you typically select **Print...** from the **File** menu of your application software.



### Printer

Select the model to be used for printing.

When you click **Add Printer...**, a dialog for specifying the printer opens.

### Presets

You can save or delete the settings of the Print dialog.

#### »» Note

- You can select **Show Presets...** to check the print settings that are set in the Print dialog.

### Copies

You can set the number of copies to be printed.

#### »» Note

- You can set collated printing by choosing **Paper Handling** from the pop-up menu.

### Pages

You can set the range of pages to be printed.

### Paper Size

Select the size of the paper to be used for printing.

To set a non-standard size, select **Manage Custom Sizes...**

### Orientation

Select the print orientation.

### Pop-up Menu

You can switch between pages in the Print dialog by the pop-up menu. The first menu to appear differs depending on the application software that opened the Print dialog.

You can choose one of the following items from the pop-up menu.

## **Layout**

You can set page layout printing.

Use **Reverse page orientation** to change the paper orientation, and use **Flip horizontally** to print a mirror image of the document.

## **Color Matching**

You can select the color correction method.

## **Paper Handling**

You can set the pages to be printed on paper and the print order.

## **Cover Page**

You can output cover pages both before and after a document.

## **Quality & Media**

You can set basic print settings that match the printer.

## **Fluorescent Spot Color**

Set the colors you want to use as fluorescent spot colors.

## **Color Options**

You can adjust the print colors as you desire.

## **Advanced Paper Settings**

Specifies detailed print settings that match the media type loaded in the printer.

## **Page Processing**

You can configure the detailed settings when printing to roll paper, and adjust the amount of the source document that sticks out from the page when printing all borderless.

## **Additional Settings**

The output method can be set.

## **Supply Levels**

A rough indication of the remaining ink level is displayed.

## **PDF**

You can save a document in PDF (Portable Document Format) format.

By starting up Canon imagePROGRAF Free Layout, it is possible to allocate multiple source documents, and display the print results in imagePROGRAF Preview.

## Updating Media Information in Printer Driver

This function gets the latest media information from the printer and updates the media information in the printer driver.

When the media information is updated, the media displayed for **Media Type** on the **Quality & Media** screen is updated to the latest information.

The procedure for updating media information is described below.



### Update Media Information

1. From the [Canon IJ Printer Utility2](#) pop-up menu, select **Media Information**

2. Click **Update Media Information**

A dialog appears.

3. Check that the media information has updated

By following the dialog instructions, check that the printer is on, and then click **OK**.

After checking whether or not the printer media information needs to be updated, a message will be displayed.

If the printer media information is up to date, click **OK** and finish updating media information.

If the information needs to be updated, follow the below steps to do so:

4. Update media information

Check the message and click **Update**.

The printer driver media information will update.

When the authentication screen appears, enter the administrator's name and password, and then click **Install Helper**.

#### »» Important

- It may take some time to update the media information.
- Do not change media information on the printer while you are updating media information on the driver.

5. Finish updating media information

When a confirmation message appears, click **OK**.

The media information will be updated.

#### »» Important

- Restart the application or software you are printing from after updating media information.

### »» Important

- Ensure that a user with administrator privileges carries out the media information update. Users other than administrators can check if a media information update is required, but cannot carry out the update itself.
- When you have added, deleted, or edited media using administrative tools (the Media Configuration Tool) but have not updated the media information, issues may arise such as the inability to print.

### »» Note

- If the printer is being shared, **Correct Media Information** will display on the client machine.

## Correcting Media Information in Printer Driver (When Printer Used in Shared Environment)

The printer driver media information will be corrected.

Carrying out a media information correction will correct the configuration of the media information in the printer driver.

The procedure for correcting media information is described below.



### Correct Media Information

1. From the [Canon IJ Printer Utility2](#) pop-up menu, select **Media Information**

2. Click **Correct Media Information**

After checking whether or not the printer driver's media information is correct, a message will be displayed.

If the printer media information is set correctly, click **OK** and finish correcting media information.

If the information needs to be corrected, follow the below steps to do so:

3. Correct media information

When a confirmation message appears, click **OK**.

The printer driver media information will be corrected.

When the authentication screen appears, enter the administrator's name and password, and then click **Install Helper**.

4. Complete media information correction

When a confirmation message appears, click **OK**.

The paper information will be corrected.

### Important

- Restart the application or software you are printing from after correcting media information.

### Note

- **Media Information** will only be displayed on the client machine in use when the printer is being shared.

## Confirm the Printer Paper Information

---

You can check the size and type of paper that was set to the printer.

1. From the [Remote UI](#), select **Printer status**
2. Check printer's paper information

The size and type of the media set on the printer main unit is displayed by feed position.

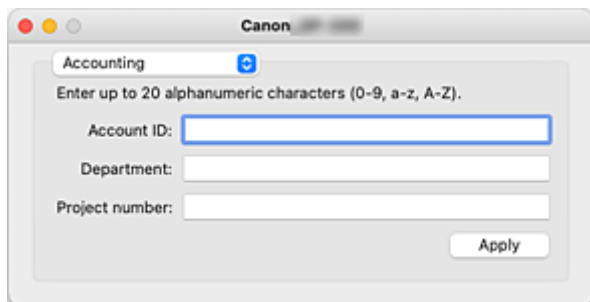


## Setting Accounting Information

By Setting Accounting Information, you add IDs to print jobs, and use the printer and cost management tool to tabulate print history information for any ID.

The procedure for Setting Accounting Information is described below.

1. From the [Canon IJ Printer Utility2](#) pop-up menu, select **Accounting**



2. Set Account ID

Set an Account ID, as necessary.

### Account ID/Department/Project number

Enter the Account ID, Department, or Project number to be set. Enter the ID by using up to 20 alphanumeric characters (0 to 9, a to z, A to Z).

3. Apply settings

Check that the printer is on, and then click **Apply**.

When the confirmation message appears, click **OK**.

The setting is now valid.

### ▶▶▶ Note

- If the printer is being shared, **Accounting** information cannot be set on client machines.

## Set a PIN Code for Print Jobs

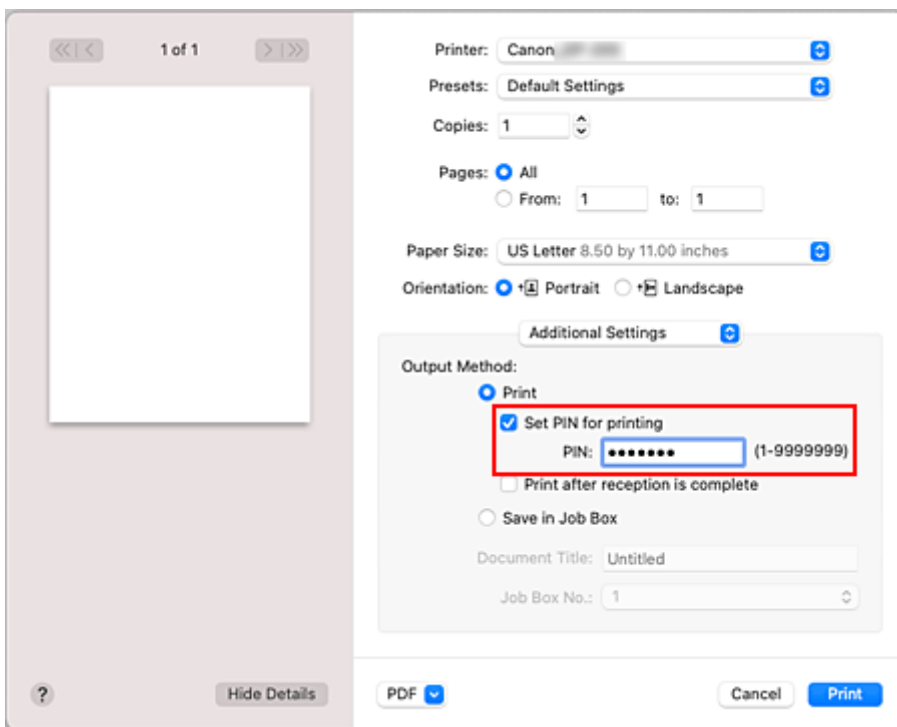
If you set a PIN code to your print jobs, the print jobs remain in standby status until the PIN code is entered on the printer operation panel.

As the material is printed immediately after entering the PIN code, issues such as retrieving the wrong documents and allowing others to peek at your documents can be prevented.

The procedure for setting a PIN code to your print jobs is explained here.

1. Select **Additional Settings** from the pop-up menu of the [Print Dialog](#)
2. Set the PIN code

Place a checkmark next to **Set PIN for printing**, and enter a one to seven-digit number in **PIN**.



3. Complete the setup

Click **Print**.

When you print, the print job is set to standby status on the printer unit.

If you enter the PIN code you set on the printer operation panel, the print job will be printed.

### ▶▶▶ Note

- See "[Printing Security Print Jobs](#)" for instructions on how to operate using the printer operation panel.
- Print jobs with a PIN code set are not saved on the printer hard disk.

## Related Topics

- ➔ [Specifying Color Correction](#)

- ➡ [Adjusting Color Balance](#)
- ➡ [Adjusting Brightness](#)
- ➡ [Adjusting Contrast](#)

## Deleting the Undesired Print Job


---

If the printer does not start printing, canceled or failed print job data may be remaining. Delete unnecessary print jobs from the print status check screen.

1. Open **System Preferences**, and select **Printers & Scanners**

2. Select your model, and then click **Open Print Queue...**

The print status check screen appears.

3. Select the unnecessary print job and click 

The selected print jobs will be deleted.

## Displaying the Printing Status Screen

Check the print progress according to the following procedure:

### 1. Launch the printing status screen

- If the print data has been sent to the printer

The printing status screen opens automatically. To display the printing status screen, click the printer icon displayed on the Dock.

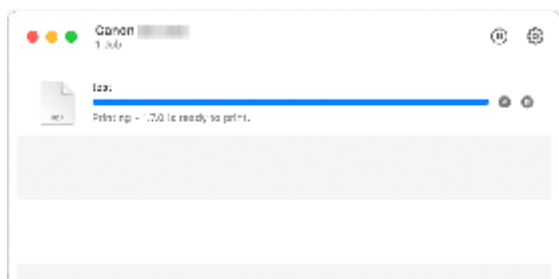
- If the print data has not been sent to the printer






Open **System Preferences**, and select **Printers & Scanners**.

To display the printing status screen, select the name of your printer model from the printer list, and then click **Open Print Queue...**

### 2. Checking the printing status

You can check the name of the file being printed or ready for being printed.



-  Deletes the specified print job.
-  Stops printing the specified document.
-  Resumes printing the specified document.
-  Stops printing all documents.
-  Displayed only when printing of all documents is being stopped, and resumes printing all documents.

### ►► Note

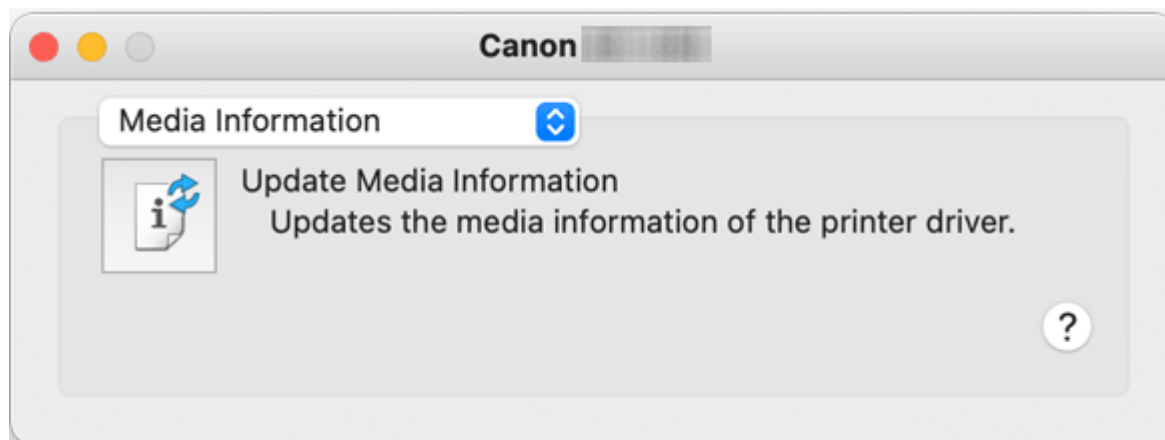
- Depending on your model, the printer icon display may be different.

### ►► Important

- If an error occurs, an error message will appear on the printing progress confirmation screen.
- The content of the error message may differ depending on the OS version.
- The printer part names in the error message may differ from what is listed in this manual.
- If the content of the error message is difficult to understand, check the error message displayed on the printer operation panel.

## Canon IJ Printer Utility2

The Canon IJ Printer Utility2 allows you to update media information and configure accounting.



You can switch between pages in Canon IJ Printer Utility2 by the pop-up menu. You can choose one of the following items from the pop-up menu.

### Media Information

Gets the latest media information from the printer and updates the media information in the printer driver.

### Accounting

Allows you to set IDs for each job and each user, and manage the print history and print jobs.

#### ▶▶▶ Note

- If the printer is being shared, **Accounting** information cannot be set on client machines.

#### ▶▶▶ Note

- To operate the Canon IJ Printer Utility2, you must first turn on the printer.

## Opening the Canon IJ Printer Utility2

---

To open the Canon IJ Printer Utility2, follow the steps below.

1. Open **System Preferences**, and select **Printers & Scanners**

2. Start the Canon IJ Printer Utility2

Select your model from the printer list, and click **Options & Supplies...**

Click **Open Printer Utility** in **Utility** tab.

Canon IJ Printer Utility2 is launched.

## Checking the Ink Status from Your Computer

---

You can check the detailed information such as the remaining ink level and the ink tank types of your model.

If you select **Printer status** from [Remote UI](#), an illustration showing the status of the ink tanks and maintenance cartridge appears.

### Estimated ink levels

You can check the types and levels of ink.

When ink levels are running low or an error occurs because there is no ink, a notification icon will appear.

### Ink model number

You can look up the correct ink tank for your printer.

### Maintenance cartridge usage

You can check the estimated usage amount of the maintenance cartridge.

When capacity levels are low or the cartridge is at full capacity, a notification icon will appear.

### ▶▶ Note

- To check the ink levels or the estimated usage of the maintenance cartridge, you can also display the pop-up menu of the Print dialog and select **Supply Levels**.



## Instructions for Use (Printer Driver)

---

This printer driver is subject to the following restrictions. Keep the following points in mind when using the printer driver.

### Restrictions on the Printer Driver

- When you set up the Page Setup dialog, be sure to begin by selecting the model you are using from the **Format For** list. If you select another printer, printing may not be performed properly.
- The following functions cannot be used in macOS, though they can be used in Windows computers.
  - Poster Printing
  - Stamp Printing
- Depending on the macOS version or the application you are using, the print dialog screen display may differ.  
Also, some features may be restricted.
- If you connect this printer and AirPort with a USB cable and print, you must install the latest AirPort firmware.

### Notes on Adding a Printer

- If you will be installing the Canon printer driver on a macOS and using the printer through a network connection, select the printer name that contains Bonjour in the **Add (Add Printer)** dialog.
- If several options are displayed under **Use** in the **Add (Add Printer)** dialog, choose Canon XXX (where "XXX" is your model name) in order to maximize your ability to control settings during printing.

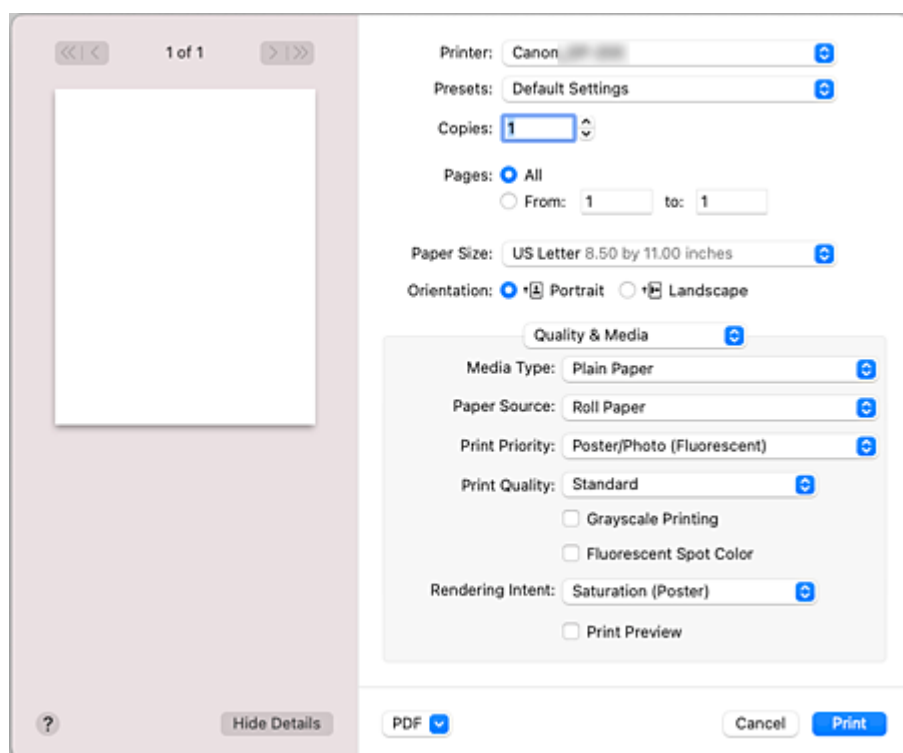
## **Description of Print Dialog**

---

- **Quality & Media**
- **Color Options**
- **Advanced Paper Settings**
- **Page Processing**
- **Additional Settings**
- **Specifications**

## Quality & Media

This dialog allows you to create a basic print setup in accordance with the paper type. Unless special printing is required, normal printing can be performed just by setting the items in this dialog.



### Media Type

Select the type of media to be used.

You must select the type of media actually loaded in the printer. This selection enables the printer to carry out printing properly for the material of the media used.

#### ►►► Note

- After updating media information of the printer, start up the Canon IJ Printer Utility2 and update media information.

### Paper Source

Select the source from which paper is supplied.

#### Roll Paper

Feeds paper using roll paper.

#### Cut Sheet

Feeds paper using the cut paper.

### Print Priority

Select elements to prioritize for print results.

#### Poster/Photo

Prioritize the print results of the poster or photo without using fluorescent ink.

#### Poster/Photo (Fluorescent)

Use fluorescent ink to make posters or photos more vibrant.

## Print Quality

Select the one that is closest to the original document type and the purpose.

When one of the radio buttons is selected, the appropriate quality will be set automatically.

### High

Gives priority to print quality over printing speed.

### Standard

Prints with average speed and quality.

### Fast

Gives priority to printing speed over print quality.

### Custom

Select this radio button to specify a quality.

#### Quality

When you select **Custom** in **Print Quality**, you can use the slider bar to adjust the print quality level.

## Grayscale Printing

Print in grayscale.

## Fluorescent Spot Color

Specify an area and print posters with bright colors.

To use fluorescent spot colors, add a checkmark.

## Rendering Intent

Specify the method of matching to use when selecting **Canon Color Matching** in **Color Matching**.

### Perceptual (Photo)

Reproduces colors of general photos naturally and features smooth gradation. In addition, selecting this setting allows you to adjust colors easily using an application software.

### Saturation (Poster)

Reproduces vivid colors on data such as a poster.

### No Color Correction

Performs printing without color matching.

## Print Preview

You can start up the Canon imagePROGRAF Preview, and check what the printing results will be before executing the print.

Check this check box to display a preview before printing.

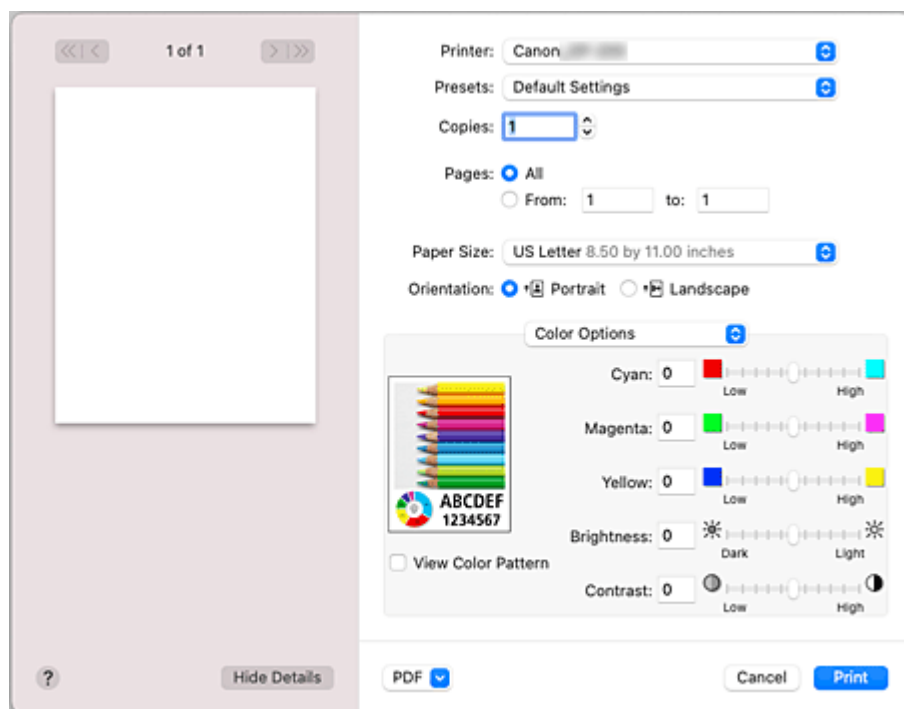
## Related Topics

- ➔ [Switching the Paper Source to Match the Purpose](#)
- ➔ [Setting the Print Quality Level \(Custom\)](#)
- ➔ [Printing a Color Document in Monochrome](#)
- ➔ [Specify Fluorescent Colors and Print](#)

## Color Options

This dialog allows you to adjust the print color as you like. If the color of the printed image is not as expected, adjust the properties in the dialog and retry printing.

The adjustments made here do not affect the colors of the original print data unlike applications dedicated to image processing. Use this dialog just to make fine adjustments.



### Preview

Shows the effect of color adjustment.

As you adjust each item, the effects are reflected in the color and brightness.

### View Color Pattern

Displays a pattern for checking color changes produced by color adjustment.

When you want to display the sample image with a color pattern, check this check box.

### ►►► Note

- When **Grayscale Printing** check box is checked in the **Quality & Media**, the graphic is displayed in monochrome.

### Color balance (Cyan, Magenta, Yellow)

If necessary, adjust the strength of each color. To strengthen a color, drag the slider to the right. To weaken a color, drag the slider to the left.

You can also directly enter a value linked to the slider. Enter a value in the range from -50 to 50.

Adjusting the color balance will result in variations in the balance among the volumes of the individual color inks and hence in the hues of the document as a whole.

Use the printer driver only when adjusting the color balance slightly. To change the color balance significantly, use the application software.

### Brightness

Adjusts the brightness of your print. You cannot change the levels of pure white and black. However, the brightness of the colors between white and black can be changed. Colors become brighter as you

drag the slider toward the right and darker as you drag the slider toward the left. You can also directly enter brightness values that are linked to the slider bar. Enter a value in the range from -50 to 50.

### **Contrast**

The Contrast function changes the differences between light and dark in images during printing.

To make the differences between the light and dark portions of images greater and more distinct, increase the contrast. On the other hand, to make the differences between the light and dark portions of images smaller and less distinct, reduce the contrast.

You can also directly enter a value linked to the slider. Enter a value in the range from -50 to 50.

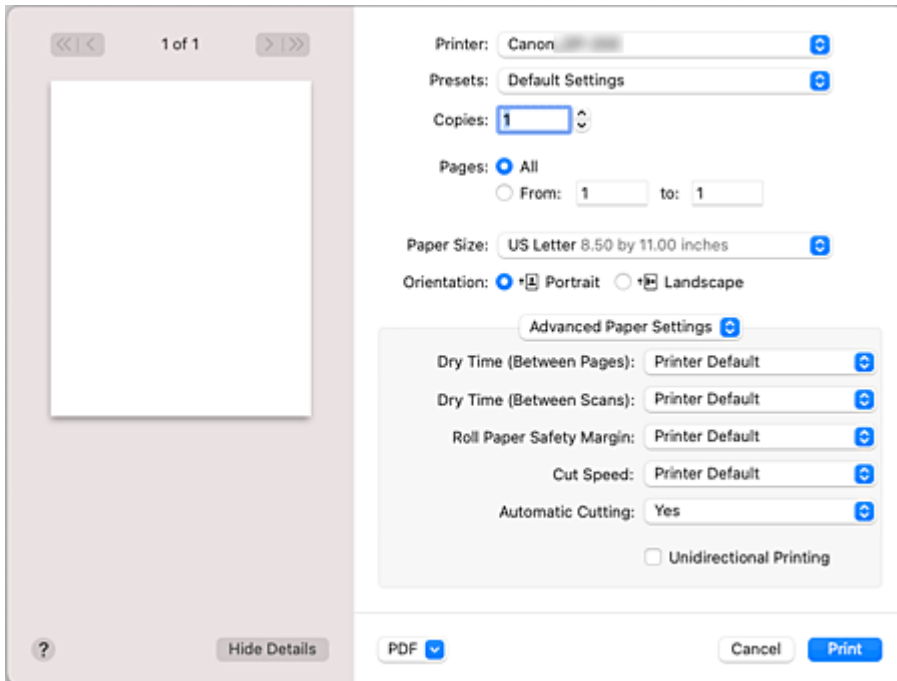
## **Related Topics**

- ➔ [Specifying Color Correction](#)
- ➔ [Adjusting Color Balance](#)
- ➔ [Adjusting Brightness](#)
- ➔ [Adjusting Contrast](#)

## Advanced Paper Settings

Use this dialog box to set detailed print settings that match the media type loaded on the printer.

If the paper becomes stained during printing or if the quality of the print results is less than expected, using these settings may improve the print results.



### Dry Time (Between Pages)

Allows you to set the interval between the time each page is printed and the time it exits the printer. Since a certain waiting time is required for the ink to dry before the roll paper is cut, even when automatic cutting is set, you can cut the paper when the ink is dry.

The **Dry Time (Between Pages)** setting is effective only for roll paper.

#### Printer Default

Applies the settings configured in operation panel of the printer.

#### None

Documents are ejected immediately after printing is over.

#### 30 seconds / 1 minute / 3 minutes / 5 minutes / 10 minutes / 30 minutes / 60 minutes

After printing is over, documents are ejected after the set time has elapsed.

### Dry Time (Between Scans)

Allows you to set the interval between the printing of a scan on a page and the printing of the next scan. Prevents ink bleeding on a page or uneven coloring during borderless printing.

#### Printer Default

Applies the settings configured in operation panel of the printer.

#### None

Each scan is printed immediately after the previous one.

#### 0.5 seconds / 1 second / 3 seconds / 5 seconds / 7 seconds / 9 seconds

After one scan has been printed, the next one will be printed after the set time has elapsed.

Increase the interval depending on the occurrence of bleeding and uneven coloring.

### **Roll Paper Safety Margin**

Allows you to specify the length of the white margins on the edges of the paper in order to make even significantly curled paper adsorb to the platen.

#### **Printer Default**

Applies the settings configured in operation panel of the printer.

#### **3mm**

Prints in standard-size.

Choose this setting if there are no particular problems when printing.

#### **20mm**

Choose this setting in case of chafing against the print head, for example when using significantly curled paper.

### **Cut Speed**

Allows you to select the speed of automatic cutting. Use it to adjust the automatic cutting function when clean cutting is not possible.

#### **Printer Default**

Applies the settings configured in operation panel of the printer.

#### **Fast**

Choose this if clean cut surfaces are not possible with the **Standard** setting.

#### **Standard**

Choose this if there are no particular problems with automatic cutting.

#### **Slow**

Choose it when using adhesive paper in order to prevent the glue from sticking to the cutter and to avoid a drop in cutting performance.

### **Automatic Cutting**

You can set whether to have the paper cut automatically or to have cut lines printed on the paper. The following settings can be configured for automatic cutting.

#### **Printer Default**

Applies the settings configured in the operation panel of the printer unit.

#### **None**

After printing is over, the printer goes on to print the next set of data without cutting the paper into individual pages.

#### **Print Cut Guideline**

After printing is over, the printer prints cutting lines on each page and goes on to print the next set of data.

### **Unidirectional Printing**

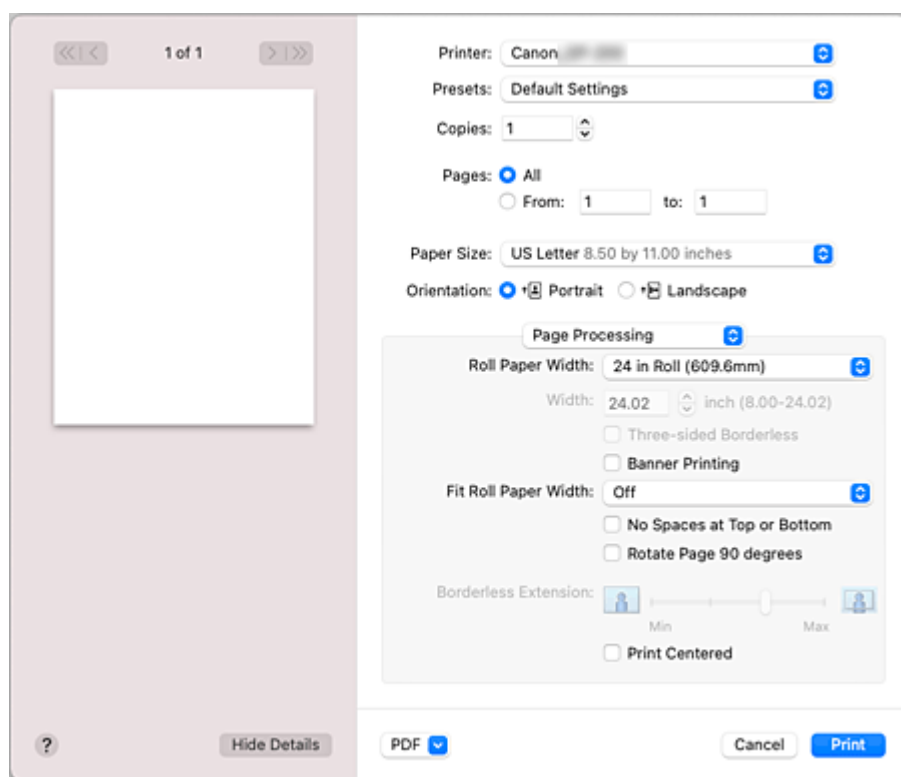
Suppresses uneven coloring and line shifts during printing.

To perform unidirectional printing, check this check box.



## Page Processing

You can configure advanced settings, such as for printing on roll paper and for adjusting how much of the document extends outside the paper when printing borderless.



### Roll Paper Width

Select the roll paper width.

Select the width that matches the width of the roll paper loaded in the printer.

### Width

This enables you to select **Custom Size** in **Roll Paper Width**, allowing you to specify the roll width.

### Three-sided Borderless

If you check this check box, and the width or the length of the output paper size is smaller than the roll width, a margin will be created on the right of the document, and the remaining three sides (top, bottom, and left) will be borderless when printing.

### Banner Printing

Select this check box to print documents with several pages as one continuous document. When you do this, the spaces between the pages will be removed.

### Fit Roll Paper Width

The printer automatically expands or reduces the document to match the roll paper width and then prints the document.

#### Off

The document is printed as-is without being expanded or reduced.

#### On (Bordered)

The printer automatically expands or reduces the document to match the roll paper width and then prints the document.

### **On (Borderless)**

When borderless printing is performed, the printer automatically enlarges or reduces the document to match the roll paper width and then prints the document.

### **No Spaces at Top or Bottom**

When printing on roll paper, you can save paper by reducing the upper and lower margins.

### **Rotate Page 90 degrees**

When you print a portrait document onto roll paper, you can save paper by rotating the document 90 degrees and print the document horizontally relative to the paper.

### **Borderless Extension**

Adjusts how much of the document extends outside the paper by using the **Borderless Extension** slider bar.

Drag to slider bar to the right to increase the extension amount, and to the left to decrease the extension amount.

### **Print Centered**

Prints document in center of paper.

### **»» Note**

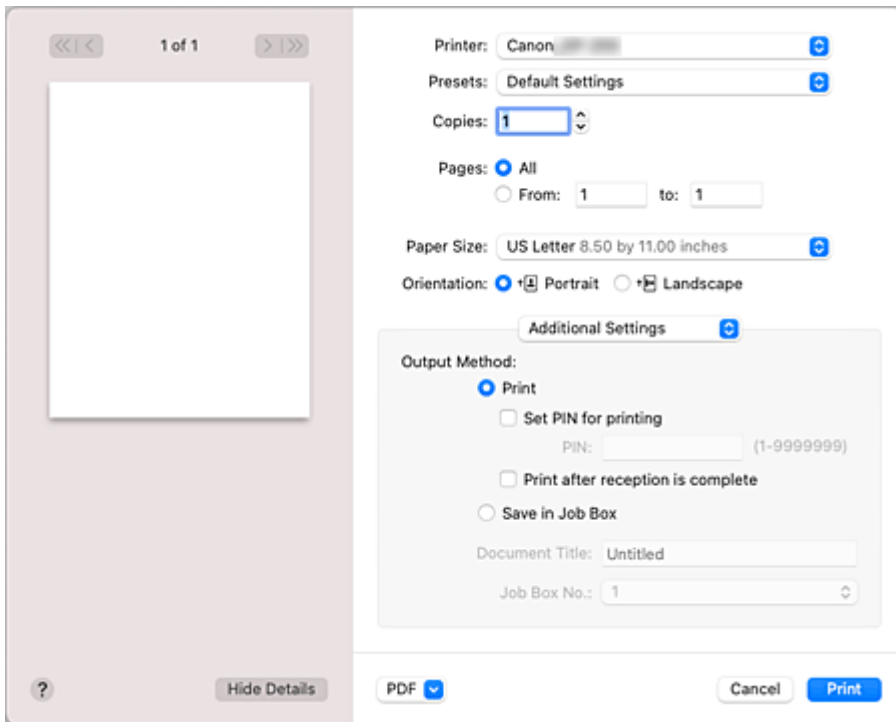
- Depending on the settings, some items cannot be set.

### **Related Topic**

➔ [Prints without Edges Based on the Scenarios](#)

## Additional Settings

Use this dialog to set the output method.



### Output Method

Set the method for exporting the print job to the printer's hard disk drive.

#### Print

After the printing ends, the print job is not saved to the printer's hard disk drive.

#### Set PIN for printing

Set a PIN code for print jobs to prevent issues such as retrieving the wrong documents and allowing others to peek at your documents.

#### PIN

Enter a one to seven-digit number.

#### Print after reception is complete

This can be set when selecting **Print**.

If you check this, printing will start after the print job is received. This prevents a decrease in print quality due to the printing being suspended.

#### Save in Job Box

Save the print job to the hard disk of the printer. When selecting **Save in Job Box**, select the individual box to save to from the **Job Box No.** list.

#### Document Title

This can be set when selecting **Save in Job Box**.

Input the name of the document you wish to save.

#### Job Box No.

This can be set when selecting **Save in Job Box**.

Select the box number from the list.

## Specifications

### Important

- The following values may vary depending on the operating environment.

### Paper

For details on the compatible media types, see "Paper Information List."

Paper width		For details on the paper widths supported by the printer, see " <a href="#">Paper Sizes.</a> "
Minimum paper length	Rolls	8.00 in. (203.2 mm)
	Sheets	11.00 in. (279.4 mm)
Maximum printable length	Rolls	59 feet (18 m) Varies depending on the operating system or application.
	Sheets	5.2 feet (1.6 m)
Thickness	Rolls	3-31 mil (0.07-0.8 mm)
	Sheets	3-31 mil (0.07-0.8 mm)
Roll maximum outer diameter		5.9 in. (150 mm) or shorter
Supported paper core inner diameter		2.00 in./3.00 in. (50.8 mm/76.2 mm)
Print area		For details about Print Area, see " <a href="#">Print Area.</a> "

## **Updating the Printer Driver**

---

- **Obtaining the Latest Printer Driver**
- **Delete the Unnecessary Canon IJ Printer from the Printer List**
- **Before Installing the Printer Driver**
- **Installing the Printer Driver**

## Obtaining the Latest Printer Driver

---

By updating the printer driver to the latest version of the printer driver, unresolved problems may be solved.

You can access our website and download the latest printer driver for your model.

### »» Important

- You can download the printer driver for free, but any Internet access charges incurred are your responsibility.

### Related Topics

- ➔ [Before Installing the Printer Driver](#)
- ➔ [Installing the Printer Driver](#)

## Delete the Unnecessary Canon IJ Printer from the Printer List

---

A Canon IJ Printer that you no longer use can be deleted from the printer list.

Before deleting the Canon IJ Printer, disconnect the cable that connects the printer to the computer.

The procedure to delete the unnecessary Canon IJ Printer from the printer list is as follows:

You cannot delete the Canon IJ Printer unless you are logged on as a user with administrative rights.

1. Open **System Preferences**, and select **Printers & Scanners**

2. Delete the Canon IJ Printer from the printer list

From the printer list, select the Canon IJ Printer to be deleted, and then click -.

Click **Delete Printer** when the confirmation message appears.

## Before Installing the Printer Driver

---

This section describes the items that you should check before installing the printer driver. You should also refer to this section if the printer driver cannot be installed.

### Checking the Personal Computer Settings

- Terminate all running applications.
- Log on as a user who has the administrator account. The installer will prompt you to enter the name and password of the administrative user. When multiple users are using macOS, log on with the account of the administrator who registered first.

#### »» Important

- When you upgrade macOS, all printer drivers that were installed will be deleted. If you plan to continue using this printer, re-install the latest printer driver.

### Related Topics

- ➔ [Obtaining the Latest Printer Driver](#)
- ➔ [Installing the Printer Driver](#)



## Installing the Printer Driver

You can access our web site through the Internet and download the latest printer driver for your model.

The procedure for installing the downloaded printer driver is as follows:

### 1. Mount the disk

Double-click the disk image file you have downloaded.

The file is unpacked, and then the disk is mounted.

### 2. Start the installer

Double-click "PrinterDriver\_XXX\_YYY.pkg" (where "XXX" is your model name, and "YYY" is version) contained in the disk.

### 3. Start the installation

Install the printer driver according to the messages on the screen.

When the Software License Agreement is displayed, check the contents, and click **Continue**. If you do not agree to the terms of the Software License Agreement, you cannot install this software.

### 4. Selecting the install destination

If necessary, select where you want to install the printer driver, and then click **Continue**.

### 5. Executing the installation

Click **Install**.

When the authentication screen is displayed, enter the name and password of the administrator, and then click **Install Software**.

### 6. Complete the installation

When the completion message appears, click **Close**.

The printer driver is installed successfully.

### ▶▶▶ Important

- If the Installer does not operate properly, select **Quit Installer** from the **Installer** menu of the Finder to quit the Installer. Then start the Installer again.
- You can download the printer driver for free, but you are responsible for paying any connection fees to the Internet.

## Related Topics

- ➔ [Obtaining the Latest Printer Driver](#)
- ➔ [Delete the Unnecessary Canon IJ Printer from the Printer List](#)
- ➔ [Before Installing the Printer Driver](#)

## **Application Software**

---

- ▶ **Direct Print Plus Guide**
- ▶ **Easy-PhotoPrint Editor Guide**
- ▶ **Preview Guide (Windows)**
- ▶ **Preview Guide (macOS)**
- ▶ **Free Layout plus Guide (Windows)**
- ▶ **Free Layout Guide (macOS)**
- ▶ **Quick Utility Toolbox Guide**
- ▶ **IJ Network Device Setup Utility Guide**
- ▶ **Media Configuration Tool Guide**
- ▶ **Device Management Console Guide**
- ▶ **Accounting Manager Guide**
- ▶ **PosterArtist Guide**
- ▶ **Firmware Update Tool**

## Managing Print Jobs

---

### ► Basic Print Job Operations

- Using Printer Hard Disk
- Saving Print Jobs on Personal Job Boxes
- Priority Printing
- Printing Pending Jobs
- Printing Security Print Jobs
- Deleting Print Jobs
- Printing Saved Jobs
- Deleting Saved Jobs
- Moving Saved Jobs

### ► Advanced Print Job Operations

- Saving Print Jobs Sent from Sources Other than Printer Driver
- Printing without Saving Jobs in Common Job Box
- Setting Passwords for Personal Job Boxes
- Naming Personal Job Boxes
- Printing List of Saved Jobs
- Renaming Saved Jobs
- Printer Hard Disk Operations
- Checking Free Hard Disk Space

### ► Collecting Printer Job Logs Using Accounting Manager

## **Basic Print Job Operations**

---

- **Using Printer Hard Disk**
- **Saving Print Jobs in Personal Job Boxes**
- **Priority Printing**
- **Printing Pending Jobs**
- **Printing Security Print Jobs**
- **Deleting Print Jobs**
- **Printing Saved Jobs**
- **Deleting Saved Jobs**
- **Moving Saved Jobs**

## Using Printer Hard Disk

---

The printer can save print jobs on the built-in hard disk.

Saving print jobs offers the following benefits.

- **Save the time spent using a computer**

When you send a print job to the printer, you can save it on the printer after printing or simply save it on the printer without printing it yet. Saved print jobs can be printed in the required quantity later without the need to use a computer again.

- **Simplify reprinting, if any errors occur**

If errors occur in the middle of printing (as when paper runs out), you can resume printing after clearing the error without resending the print job from a computer.

- **Streamline printing work**

Without using a computer, you can select print jobs and print in the desired quantity. You can also select multiple print jobs to print during the same period. This enables unattended operation at night, for example.

## Output Method

To save print jobs on the printer's hard disk, configure the printer driver.

In Windows, this is set using the **Output Method** dialog box.

In macOS, this is set by selecting **Additional Settings** in the pop-up menu of the printer properties dialog.

### Print

Perform printing while saving the print job on the temporary storage area of the printer's hard disk.

### Set PIN for printing

Set a 7 digit security code. To start printing, enter the PIN set here using the operation panel. If the entered PIN does not match the set PIN, the printing does not start.

### Print after reception is complete

This option is available in combination with **Print**. You can prevent degradation of print quality that occurs when receiving a print job is interrupted and printing is aborted in the middle.

### Save in Job Box

Save print jobs on the permanent storage area of the printer's hard disk. Selecting this does not start printing.

## Storage Destination

The storage area on the printer's hard disk is divided into a temporary storage area and a permanent storage area. The temporary storage area stores print jobs in the job queue or common job box. The permanent storage area stores jobs in personal job boxes.

## Job queue

The job queue refers to print jobs that are being processed by the printer (saved, received, prepared for processing, printed, deleted, or held). Up to 100 jobs can be stored in the temporary storage area. However, the number of jobs available as queued jobs is up to 64.

When the maximum number of job queues are saved, the print job sent from the computer is in a state of waiting for processing.

However, if all saved job queue states are pending, the oldest job queue of the saved date and time will be deleted and the print job sent from the computer will be processed.

## Common job box

Jobs for which you have specified **Print** in **Output Method** are saved in common job box and classified as saved jobs.

There is one common job box, numbered "00". A password cannot be set for common job box.

Up to 100 print jobs can be saved here. However, they will be deleted one after another starting with the oldest job in the following situations.

- If there are over 101 jobs queued and saved in common job box combined
- If no more temporary storage space is available when jobs for which you have selected **Print** in **Output Method** are received
- If there is not enough space in the temporary or permanent storage area when jobs for which you have selected **Save in Job Box** in **Output Method** are received.

## Personal job boxes

In the following cases, the job is classified as saved job and saved in a personal job box on the permanent storage area.

- When a saved job stored in common job box is moved to a personal job box
- When you have selected **Save in Job Box** in **Output Method**

There are 29 personal job boxes, numbered "01" to "29". You can specify a name and password for each personal job box.

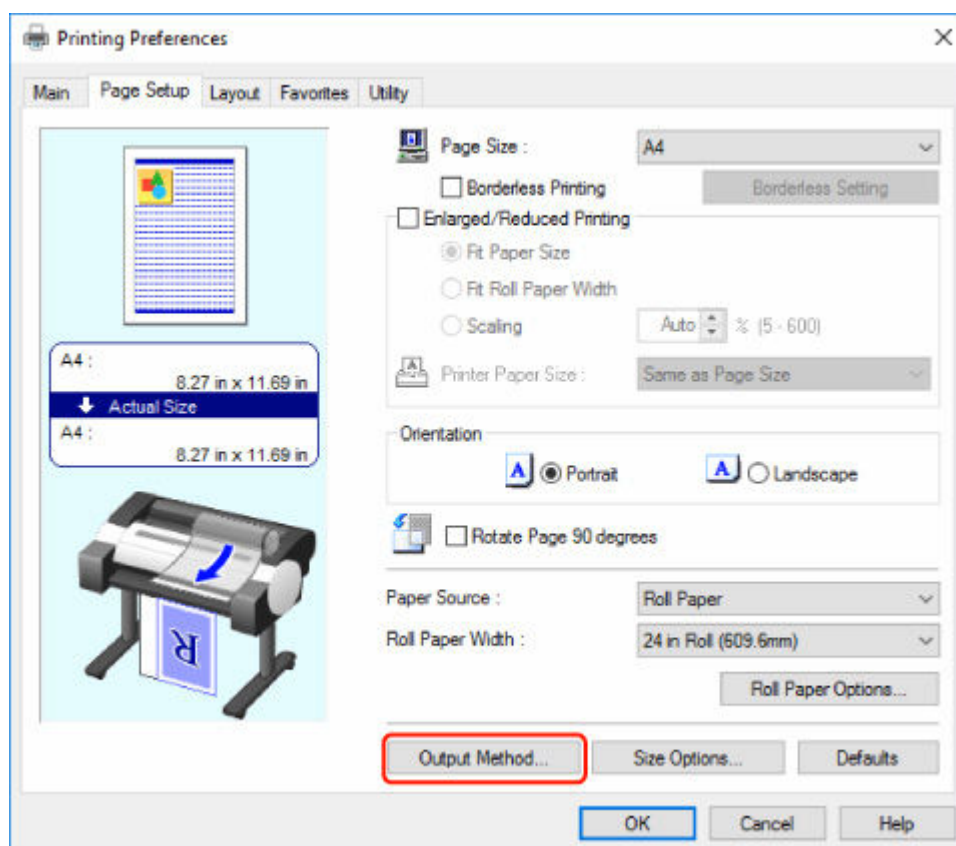
Up to 100 print jobs can be saved in all personal job boxes combined.

## Saving Print Jobs in Personal Job Box

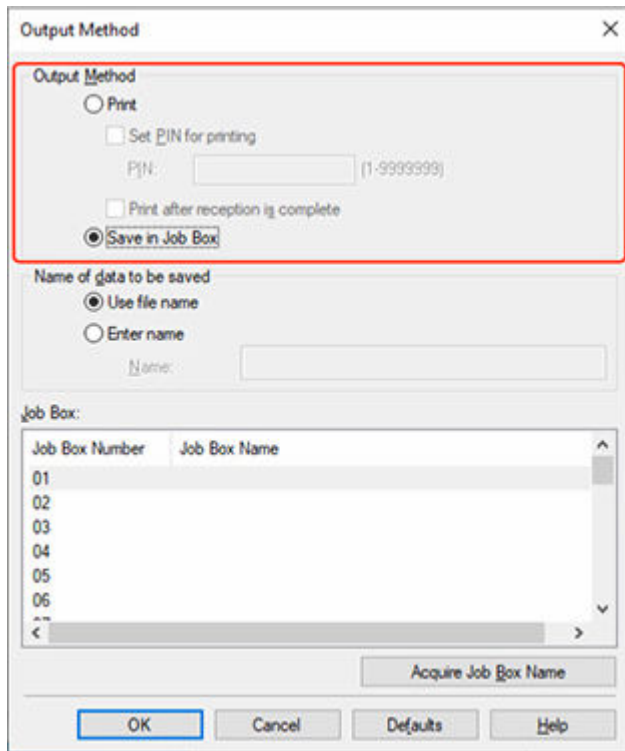
To save print jobs in personal job boxes, configure the printer driver.

### Configuring Printer Driver (Windows)

1. Open printer properties dialog box.
  - ➔ How to Open the Printer Driver Setup Window
2. Select **Page Setup** tab.
3. Select **Output Method**.



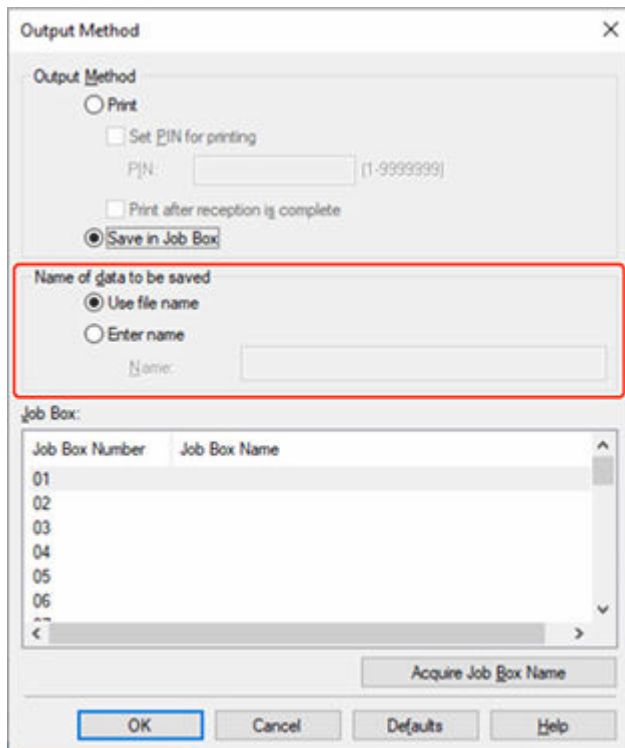
4. Select **Save in Job Box** in **Output Method**.



5. In **Name of data to be saved**, specify how to name saved print jobs.

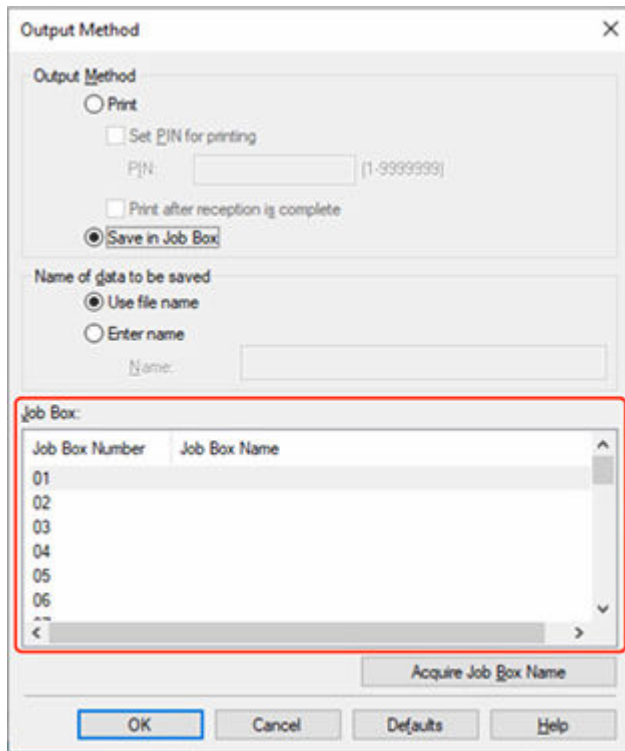
To use the file name, select **Use file name**.

Otherwise select **Enter name** and enter a name in **Name**.



6. Select a personal job box in **Job Box**.





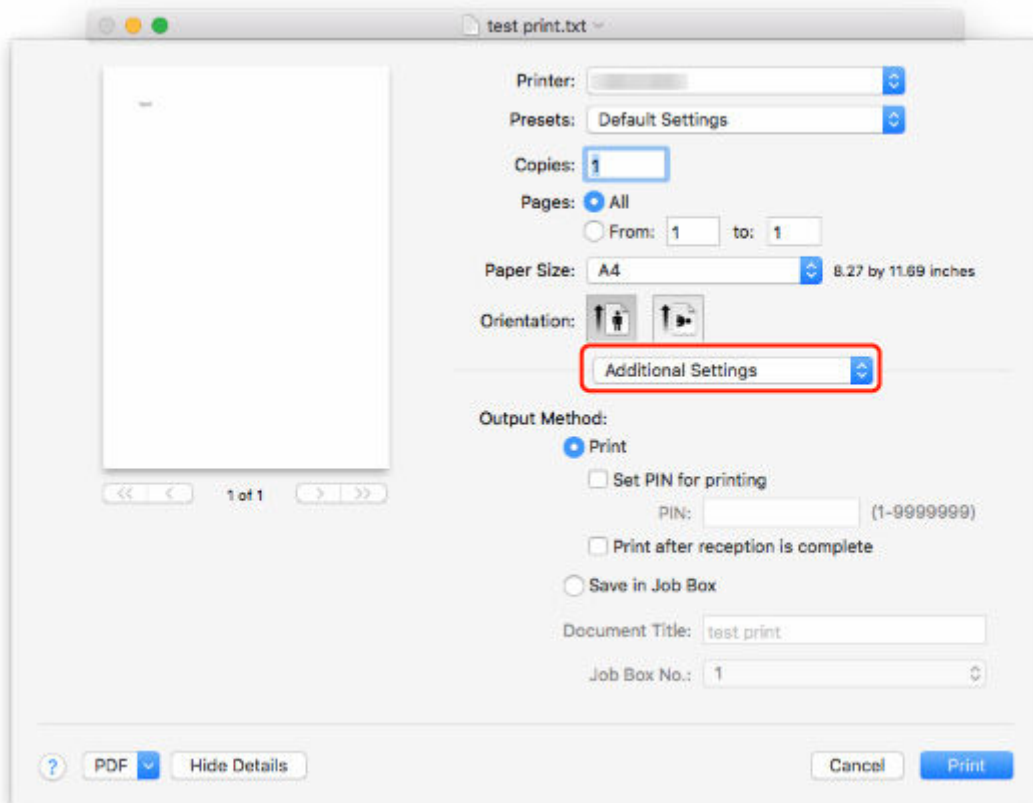
### ➤➤➤ Note

- Select **Acquire Job Box Name** to display personal job box names in the **Job Box** list, as acquired from the printer.

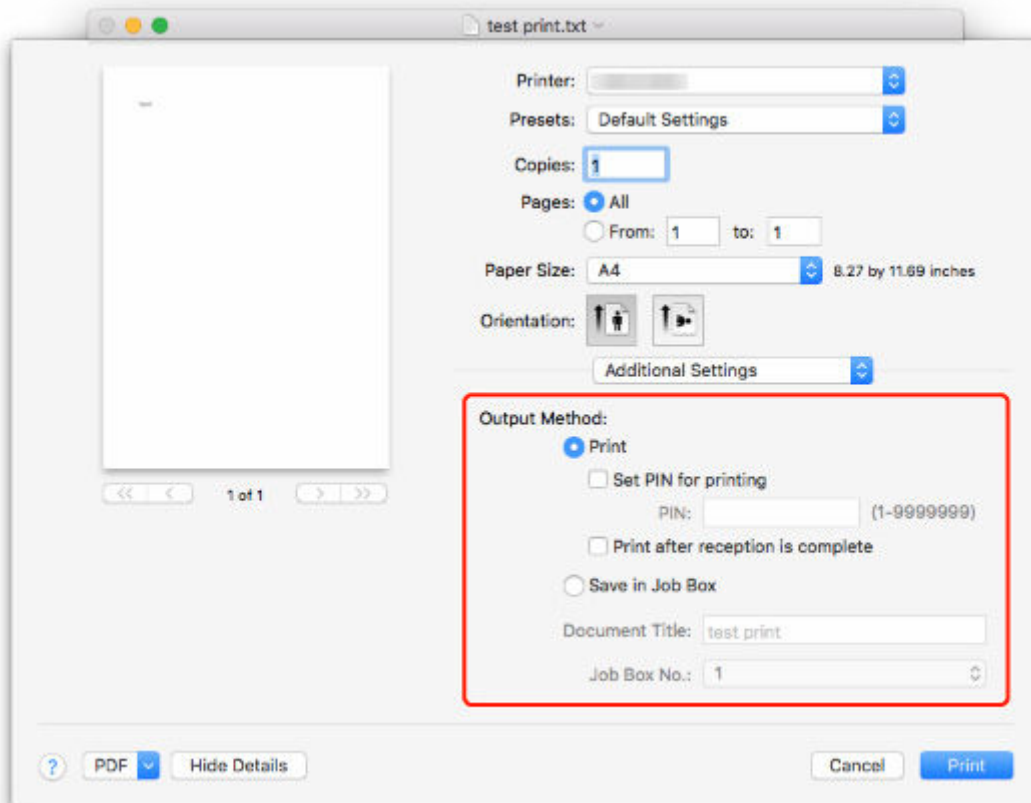
7. Select **OK**.

## Configuring Printer Driver (macOS)

1. Open printer properties dialog.
  - ➔ [How to Open the Printer Driver Setup Dialog](#)
2. Select **Additional Settings** in pop-up menu.



3. Select **Save in Job Box** in **Output Method**.



## Priority Printing

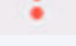

You can change the print order (Priority printing) by specifying the print job that is being received.

This operation is available using the operation panel or Remote UI.

➔ [Using Operation Panel](#)

➔ [Using Remote UI](#)

### ▶▶▶ Note

- For the operation of the print job with the  icon (pending print job), see [Printing Pending Jobs](#).
- For the operation of the print job with the  icon (security print job), see [Printing Security Print Jobs](#).

## Using Operation Panel

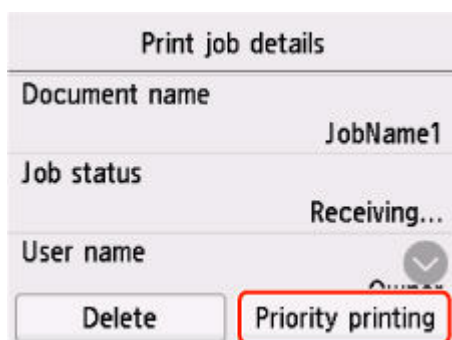
1. Tap  (**Jobs**) on HOME screen.

➔ [Home Screen Menu Composition](#)

2. Tap **Print job**.

3. In the list, tap the target job.

4. Tap **Priority printing**.



5. Confirm displayed message and tap **Yes**.

## Using Remote UI

1. Start up Remote UI.

➔ [Start up Remote UI](#)

2. Select **Job management**.
3. Select **Print job**.
4. In the list, select the target job.
5. Select **Prioritize**.

## Printing Pending Jobs

If the type or size of paper loaded does not match the settings in the print job received when you have set **Detect paper setting mismatch** to **Hold job** in the operation panel, the print job is held on the printer as a pending job in the job queue.

To print held jobs, replace the loaded paper with the paper specified in the print job.

- ➔ [Loading Rolls in the Printer](#)
- ➔ [Loading Sheets in the Printer](#)

This operation is available using the operation panel or Remote UI.

- ➔ [Using Operation Panel](#)
- ➔ [Using Remote UI](#)

### ▶▶▶ Note


- As long as you do not manage held jobs from the operation panel, they will remain in the job queue. In this case, the printer processes the next job in the queue without pausing.

## Using Operation Panel

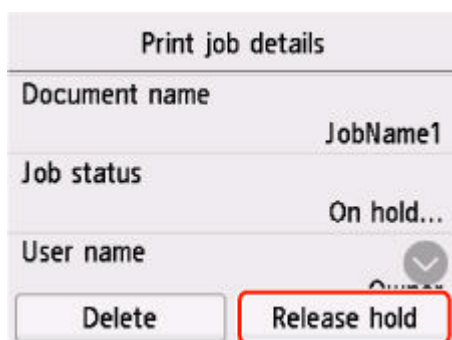
1. Tap  (**Jobs**) on HOME screen.

➔ [Home Screen Menu Composition](#)

2. Tap **Print job**.

3. In the list, tap print job with  icon on the left.

4. Tap **Release hold**.



5. Confirm displayed message and tap **Yes**.

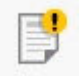
## Using Remote UI

1. Start up Remote UI.

➔ [Start up Remote UI](#)

**2. Select Job management.**

**3. Select Print job.**

**4. In the list, select print job with  icon on the left.**

**5. Select Release.**

## Printing Security Print Jobs

A security print job is a print job that requires you to enter the PIN code set in the printer driver when printing.

The print job specified for the security print job has a lock icon to the left of the job name in the list such as **List of print jobs**.


### ▶▶▶ Note

- The security print job remains saved as a normal pending job until you enter the PIN code using the operation panel or Remote UI. In this case, the printer processes the next job in the queue without pausing.
- When deleting a security print job, you do not need to enter a PIN code.

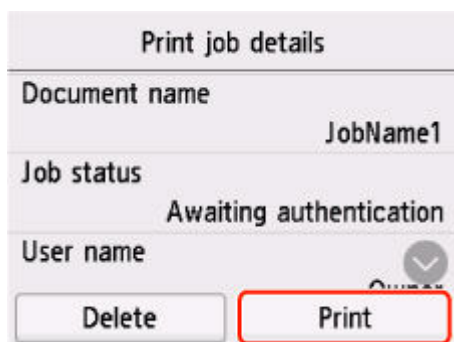
1. Tap  (**Jobs**) on HOME screen.

➔ [Home Screen Menu Composition](#)

2. Tap **Job management**.

3. In the list, tap print job with  icon on the left.

4. Tap **Print**.



5. Enter PIN code you set and tap **OK**.





6. Tap **OK**.

**PIN authentication successful.** is displayed and printing starts.

**»» Note**

- The security print job is deleted after printing.

## Deleting Print Jobs

You can delete a print job as needed.

This operation is available using the operation panel or Remote UI.

➔ [Using Operation Panel](#)

➔ [Using Remote UI](#)

### Using Operation Panel

1. Tap  (**Jobs**) on HOME screen.

➔ [Home Screen Menu Composition](#)

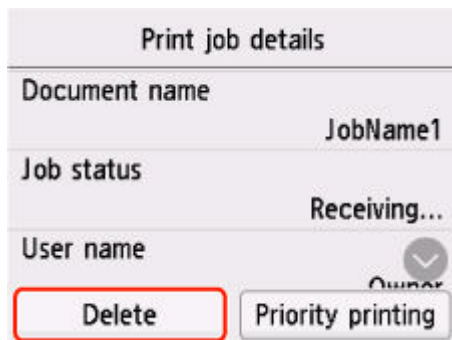
2. Tap **Print job**.

3. In the list, tap the target job.

#### ➤➤➤ Note

- Tap **Del. selected** to delete multiple jobs at one time.

4. Tap **Delete**.



5. Confirm displayed message and tap **Yes**.

#### ➤➤➤ Note

- Select **Delete all print jobs** on **Job management** to delete all jobs in the job queue

➔ [Job management](#)

### Using Remote UI

1. Start up Remote UI.

➔ [Start up Remote UI](#)

2. Select **Job management**.
3. Select **Print job**.
4. In the list, select the target job.
5. Select **Delete**.
6. Confirm displayed message and tap **Yes**.

## Printing Saved Jobs

Print saved print jobs stored on the printer's hard disk as follows.

This operation is available using the operation panel or Remote UI.

➔ [Using Operation Panel](#)

➔ [Using Remote UI](#)

### Using Operation Panel

1. Tap  (**Jobs**) on HOME screen.

➔ [Home Screen Menu Composition](#)

2. Tap **Saved job**.
3. In the list, tap the target job box.

#### ▶▶▶ Note

- If an administrator password is set, enter the password.

4. Tap **Job list**.
5. In the list, tap the target job.
6. Tap **Print settings**.
7. Specify the number of copies.

1. To change the number of copies, tap A.



2. Specify the number of copies and tap **OK**.

	1	< x	
JobName	1	2	3
	4	5	6
Print time	7	8	9
	0	OK	

8. Tap **Start print**.

## Using Remote UI

1. Start up Remote UI.

➔ [Start up Remote UI](#)

2. Select **Job management**.

3. Select **Saved job**.

4. In the list, select the target job box.

### ▶▶▶ Note

- If an administrator password is set, enter the password.

5. In the list, select the target job.

6. Select **Print**.

7. Enter the number of copies and select **Yes**.

8. select **Yes**.

## Deleting Saved Jobs

Delete saved print jobs stored on the printer's hard disk as follows.

This operation is available using the operation panel or Remote UI.

➔ [Using Operation Panel](#)

➔ [Using Remote UI](#)

### Using Operation Panel

1. Tap  (**Jobs**) on HOME screen.

➔ [Home Screen Menu Composition](#)

2. Tap **Saved job**.
3. In the list, tap the target job box.

#### ▶▶▶ Note

- If an administrator password is set, enter the password.

4. Tap **Job list**.
5. In the list, tap the target job.
6. Tap **Delete**.
7. Confirm displayed message and tap **Yes**.

### Using Remote UI

1. Start up Remote UI.  
➔ [Start up Remote UI](#)
2. Select **Job management**.
3. Select **Saved job**.
4. In the list, select the target job box.

#### ▶▶▶ Note

- If an administrator password is set, enter the password.

5. In the list, select the target job.

6. Select **Edit**.

7. Select **Delete**.

8. Select **Yes**.

## Moving Saved Jobs

Print jobs stored on the printer's hard disk (saved jobs) can be moved from the current job box to another job box as follows.

However, jobs saved in personal job boxes cannot be moved to common job box.

### »» Important

- Jobs stored in common job box may be automatically deleted under some conditions. To prevent jobs from being deleted, move them from common job box to personal job boxes.

➔ [Using Printer Hard Disk](#)

1. Start up Remote UI.  
➔ [Start up Remote UI](#)
2. Select **Job management**.
3. Select **Saved job**.
4. In the list, select the target job box.

### »» Note

- If an administrator password is set, enter the password.

5. In the list, select the target job.
6. Select **Edit**.
7. Select **Move**.
8. Select **Destination job box**.
9. In the list, select the personal job box to move to and select **OK**.

### »» Note

- If an administrator password is set, enter the password.



## **Advanced Print Job Operations**

---

- **Saving Print Jobs Sent from Sources Other than Printer Driver**
- **Printing without Saving Jobs in Common Job Box**
- **Setting Passwords for Personal Job Boxes**
- **Naming Personal Job Boxes**
- **Printing List of Saved Jobs**
- **Renaming Saved Jobs**
- **Printer Hard Disk Operations**
- **Checking Free Hard Disk Space**

## Saving Print Jobs Sent from Sources Other than Printer Driver

To save print jobs sent from software or systems other than the printer driver or applications provided with the printer, specify the output method and select the setting to perform printing after saving printing data using the operation panel.

### ▶▶▶ Note

- Contact the software or system developer for information about support for this printer function.

### ▶▶▶ Important

- The administrator password is required to change settings if it is enabled for changing settings using the operation panel.

➔ [Specifying Output Method](#)

➔ [Printing after Saving Printing Data](#)

## Specifying Output Method

Perform settings for printing or saving print job.

1. Tap  (**Setup**) on HOME screen.

➔ [Home Screen Menu Composition](#)

2. Tap **Printer settings**.

3. Tap **Hard disk settings**.

Enter administrator password if it is enabled.

4. Tap **Output method**.

5. Tap the output method you want to set up.

#### **Print**

Save print jobs automatically at the same time they are printed. (This is the default format.)

#### **Print (auto delete)**

Save print jobs temporarily at the same time they are printed and delete them after printing.

#### **Save to job box**

Save print jobs on in the personal job box.

## Printing after Saving Printing Data

To save print jobs on the hard disk before printing, select **ON** for **Save first and print**.

Printing will start when **Save first and print** is set to **ON**, even if you have selected **Save to job box** for **Output method**.

1. Tap  (**Setup**) on HOME screen.

➔ [Home Screen Menu Composition](#)

2. Tap **Printer settings**.

3. Tap **Hard disk settings**.

Enter administrator password if it is enabled.

4. Tap **Save first and print**.

5. Tap **ON**.

## Printing without Saving Jobs in Common Job Box

Jobs sent from a computer for which you have selected **Print** in **Output Method** in the printer driver are saved in common job box.

➔ [Using Printer Hard Disk](#)

When **Common job box settings** is set to **Print (auto delete)** in the operation panel menu, print jobs for which you have selected **Print** in **Output Method** in the printer driver are deleted from common job box after printing.

Use this function when printing highly confidential documents.

### ▶▶▶ Important

- The administrator password is required to change settings if it is enabled for changing settings using the operation panel.



1. Tap  (**Setup**) on HOME screen.

➔ [Home Screen Menu Composition](#)

2. Tap **Printer settings**.

3. Tap **Hard disk settings**.

Enter administrator password if it is enabled.

4. Tap **Common job box settings**.

5. Tap **Print (auto delete)**.

## Setting Passwords for Personal Job Boxes

For greater security, you can specify a password for personal job boxes. After setting the password, it is necessary to enter the password when performing the following operations.

- Change personal job box settings
- Display / print the list of jobs saved in personal job box, print / delete / move /rename jobs saved in personal job box

### »» Note

- By default, no passwords are set for personal job boxes.
- A password cannot be set for common job box.
- Enter a seven-digit number as the password, in the range 0000001 to 9999999.
- Even if you have set passwords, they are not required to access personal job boxes in Administrator Mode in Remote UI.

1. Start up Remote UI.

➔ [Start up Remote UI](#)

2. Select **Job management**.

3. Select **Saved job**.

4. In the list, tap the target job box.

5. Select **Edit**.

6. Select **Set/change password** check box and enter password. (This field is limited to seven digits in the range 0000001 to 9999999.)

7. Select **OK**.

## Naming Personal Job Boxes

---

For easier identification, you can assign names to personal job boxes.

1. Start up Remote UI.

➔ [Start up Remote UI](#)

2. Select **Job management**.

3. Select **Saved job**.

4. In the list, select the target job box.

### ▶▶▶ Note

- Enter the password if the personal job box has it.

5. Select **Edit**.

6. Enter name and select **OK**.

## Printing List of Saved Jobs

---

The list of print jobs stored on the printer's hard disk (saved jobs) can be printed by job box as follows.

1. Tap  (**Jobs**) on HOME screen.

➔ [Home Screen Menu Composition](#)

2. Tap **Saved job**.

3. In the list, tap the target job box.

### »» Note

- Enter the password if the personal job box has it.

4. Tap **Print the job list**.

For each job box, a list of saved jobs is printed.

## Renaming Saved Jobs

---

Print jobs stored on the printer's hard disk (saved jobs) can be renamed as follows.

1. Start up Remote UI.

➔ [Start up Remote UI](#)

2. Select **Job management**.

3. Select **Saved job**.

4. In the list, tap the target job box.

### ▶▶▶ Note

- Enter the password if the personal job box has it.

5. In the list, tap the target job.

6. Select **Edit**.

7. Select **Change**.

8. Enter name and select **OK**.



## Printer Hard Disk Operations

Printer hard disk operations are available from the following programs and interfaces.

- **Printer driver**
- **Remote UI**
- **Operation panel**

The hard disk operations available through each interface are as follows.

Operation		Printer driver	Remote UI	Operation panel
Saving print jobs	Save to job box	✓	-	-
	Print without saving jobs in common job box	-	-	✓
	Save print jobs sent from sources other than printer driver	-	-	✓
Operations with saved jobs	Print saved jobs	-	✓	✓
	Delete saved jobs	-	✓	✓
Job queue management	Display job queue	-	✓	✓
	Delete	-	✓	✓
	Priority printing	-	✓	✓
	Operations with pending jobs	-	✓	✓
	Operations with security print jobs	-	-	✓
	Delete Operations with security jobs	-	✓	✓
Job box management	Move saved jobs	-	✓	-
	Modify saved jobs	-	✓	-
	Modify job boxes	-	✓	-
	Print a list of saved jobs	-	-	✓
	Display a list of saved jobs	-	✓	✓
Other operations	Display free hard disk space	-	✓	✓
	Initialize hard disk	-	-	✓
	Display the time of printing	-	✓	✓
Display error messages		-	✓	✓

## Checking Free Hard Disk Space

---

Check the space available on the printer's hard disk as follows.

This operation is available using the operation panel or Remote UI.

➡ [Using Operation Panel](#)

➡ [Using Remote UI](#)

### Using Operation Panel

1. Tap  (**Setup**) on HOME screen.

➡ [Home Screen Menu Composition](#)

2. Tap **Printer information**.

3. Tap **Hard disk information**.

The free hard disk space (job box free space) appears.

### Using Remote UI

1. Start up Remote UI.

➡ [Start up Remote UI](#)

2. Select **Job management**.

3. Select **Hard disk information**.

The free hard disk space (job box free space) appears.

## Frequently Asked Questions

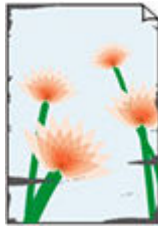
---

### Problems with the Printing Quality



Unevenness, Banding, Faint

- ➔ [Printing is faint](#)
  - ➔ [Banding in different colors occurs](#)
  - ➔ [Colors in printed images are uneven](#)
  - ➔ [Image edges are blurred or white banding occurs](#)
- 



dirt

- ➔ [Paper rubs against the Print Head](#)
  - ➔ [The edges of the paper are dirty](#)
  - ➔ [The surface of the paper is dirty](#)
  - ➔ [The back side of the paper is dirty](#)
  - ➔ [Immediately after borderless printing, the trailing edge margin is soiled during regular printing](#)
-



colors are inaccurate

- ➔ [Printed colors are inaccurate](#)
- ➔ [Documents are printed in monochrome](#)



Line

- ➔ [Line thickness is not uniform](#)
- ➔ [Lines or colors are misaligned](#)

---

#### Others

- ➔ [The length of the printed image in the paper ejection direction is not accurate](#)
- ➔ [Images are printed crooked](#)
- ➔ [Borders appear in borderless printing](#)

## General FAQ

- ➔ [I want to easily create vertical or horizontal banners](#)
- ➔ [Does this printer support sub-ink tank system](#)
- ➔ [I want to know how to configure roll cutting](#)
- ➔ [I want to configure so that the roll is cut automatically after waiting for the ink to dry](#)
- ➔ [How do I print without borders](#)
- ➔ [I want to know the paper types that can be used in this printer](#)
- ➔ [The paper type that I want to print is not displayed on the Touch Screen](#)
- ➔ [Can I perform duplex printing](#)
- ➔ [I want to perform enlargement printing](#)
- ➔ [Network Settings and Common Problems](#)

## Search by Category

### Problems Regarding Paper

- ➔ [Remove Jammed Roll Paper](#)

- ➔ [Remove a Jammed Sheet](#)
- ➔ [Remove Jammed Paper \(Paper Feed Slot\)](#)
- ➔ [Roll paper cannot be inserted into the Paper Feed Slot](#)
- ➔ [Roll Paper Remains/Lacks under Quantity Management](#)
- ➔ [Cannot load sheets](#)
- ➔ [Paper is not cut straight](#)
- ➔ [Paper is not cut](#)
- ➔ [Cutter Blade Does Not Work While Cutting Is in Progress](#)
- ➔ [The size of clear film cannot be detected](#)
- ➔ [Margins are wide](#)
- ➔ [When printing on roll paper, the printed surface becomes scratched](#)

#### Printing Does Not Start

- ➔ [Printer Suddenly Stopped Working for Some Reason](#)
- ➔ [The Data lamp on the Operation Panel does not light up](#)
- ➔ [The printer does not respond even if print jobs are sent](#)
- ➔ ["Preparing the ink system." is displayed](#)
- ➔ ["Agitating the ink" is displayed](#)
- ➔ [Message Is Displayed and Borderless Printing Fails](#)

#### The Printer Stops During a Print Job

- ➔ [Printing stops and an error message is displayed](#)
- ➔ [The printer ejects blank, unprinted paper](#)

#### Cannot Print over Network

- ➔ [Cannot Connect Printer to Network](#)
- ➔ [Cannot Print over TCP/IP Network](#)
- ➔ [Cannot Print over Bonjour networks](#)

#### Cannot Find Printer on Network

- ➔ [Cannot Find Printer During Setup](#)
- ➔ [Cannot Proceed beyond Printer Connection Screen/Connect Cable Screen](#)
- ➔ [Searching Printer by IP Address or Host Name During Setup](#)
- ➔ [Cannot Find Printer while Using Wi-Fi](#)
- ➔ [Cannot Find Printer while Using Wired LAN](#)
- ➔ [Cannot Print Using AirPrint](#)

#### Installation Problems

- ➔ [Removing Printer Software](#)
- ➔ [Taking Time to Setup Process \(Windows\)](#)
- ➔ [Failed to Printer Driver Installation \(Windows\)](#)

#### Other Problems

- ➔ [Printer does not turn on](#)
- ➔ [If the Printer Makes a Strange Sound](#)
- ➔ [Messages advising to check the maintenance cartridge are not cleared](#)
- ➔ [Printer consumes a lot of ink](#)
- ➔ [Ink Level Detection](#)

➡ [Media Type Selection does not Match Loaded Media Type](#)



## I want to easily create vertical or horizontal banners

---



You can print originals that are in landscape (or portrait) orientation automatically enlarged to fit the roll width. This is an easy way to create vertical or horizontal banners.

- ➔ [Printing Hanging and Horizontal Banners \(Large-Format Printing\) \(Windows\)](#)
- ➔ [Printing Hanging and Horizontal Banners \(Large-Format Printing\) \(macOS\)](#)



## Does this printer support sub-ink tank system

---



This printer supports hot-swap ink tank replacement.

Even if an ink tank becomes empty during printing, since a certain amount of ink always is stored in a sub-ink tank, you can replace the ink tank while printing.

➔ [Replacing Ink Tanks](#)





## I want to know how to configure roll cutting

---



Cutting methods can be selected in the printer settings and printer driver settings.

To automatically cut roll paper after printing, open the **Cutting mode** settings on the printer, and then under **Automatic cut** set **Automatic Cutting** in the printer driver to **Yes**.

When using paper that is easily scratched, or paper where the ink requires extra time to fix, we recommend setting **Cutting mode** on the printer to **Eject cut**.

- ➔ [Specifying the Cutting Method for Rolls](#)
- ➔ [Cutting Roll Paper after Printing \(Windows\)](#)
- ➔ [Cutting Roll Paper after Printing \(macOS\)](#)



**I want to configure so that the roll is cut automatically after waiting for the ink to dry**

---



You can set an ink drying time in the printer driver.

You can also configure the same settings on the printer itself.

➔ [Specifying the Ink Drying Time](#)



## How do I print without borders

---



If printing on roll paper, you can set borderless printing in the printer driver settings. (If printing on sheets, borderless printing is not possible)

- ➔ Printing without Edges Based on the Scenarios (Windows)
- ➔ [Printing without Edges Based on the Scenarios](#) (macOS)



**I want to know the paper types that can be used in this printer**

---



For information about paper that can be used with this printer, refer to the media information list.

➔ [Paper Information List](#)



## The paper type that I want to print is not displayed on the Touch Screen

---



If using a new paper type, start the Media Configuration Tool to get the latest media information.

➔ [Updating paper information](#)



## Can I perform duplex printing

---



This printer cannot print double-sided.

An alternative to double-sided printing is to use the **Folded Duplex** function of the Windows software Free Layout plus, which prints two pages on one side, folds the sheet back from the center, and hangs it.

➔ [Laying Out Documents Freely Using Free Layout plus](#)



## I want to perform enlargement printing

---



Use the printer driver to adjust the original to the paper size and width, or print enlarged or reduced by specifying a magnification factor.

- ➔ Scaled Printing (Windows)
- ➔ [Scaled Printing](#) (macOS)

## Network Settings and Common Problems

---

Here are frequently asked questions on network.

### Cannot Find Printer

- ➔ [Cannot Find Printer During Setup](#)
- ➔ [Cannot Proceed beyond Printer Connection Screen/Connect Cable Screen](#)
- ➔ [Searching Printer by IP Address or Host Name During Setup](#)
- ➔ [Cannot Find Printer while Using Wi-Fi](#)
- ➔ [Cannot Find Printer while Using Wired LAN](#)
- ➔ [Cannot Print Using AirPrint](#)

### Cannot Print or Connect

- ➔ [Cannot Connect Printer to Network](#)
- ➔ [Cannot Print over TCP/IP Network](#)
- ➔ [Cannot Print over Bonjour networks](#)
- ➔ [Printer Suddenly Stopped Working for Some Reason](#)

### LAN Setting Tips/Changing LAN Settings

- ➔ [Printer Connection Methods](#)
- ➔ [Default Network Settings](#)
- ➔ [Another Printer Found with Same Name](#)
- ➔ [Connecting to Another Computer via LAN/Changing from USB to LAN Connection](#)
- ➔ [Printing Network Settings](#)
- ➔ [Reconfiguration Method of LAN Connection/Reconfiguration Method of Wi-Fi Connection](#)
- ➔ [Network Status and Troubleshooting](#)



## **Problems Regarding Paper**

---

- **Remove Jammed Roll Paper**
- **Remove a Jammed Sheet**
- **Remove Jammed Paper (Paper Feed Slot)**
- **Roll paper cannot be inserted into the Paper Feed Slot**
- **Roll Paper Remains/Lacks under Quantity Management**
- **Cannot load sheets**
- **Paper is not cut straight**
- **Paper is not cut**
- **Cutter Blade Does Not Work While Cutting Is in Progress**
- **Dent in the Tip of Paper**
- **The size of clear film cannot be detected**
- **Printer Keeps Ejecting the Roll Paper**
- **Margins are wide**
- **When printing on roll paper, the printed surface becomes scratched**



## Remove Jammed Roll Paper

---

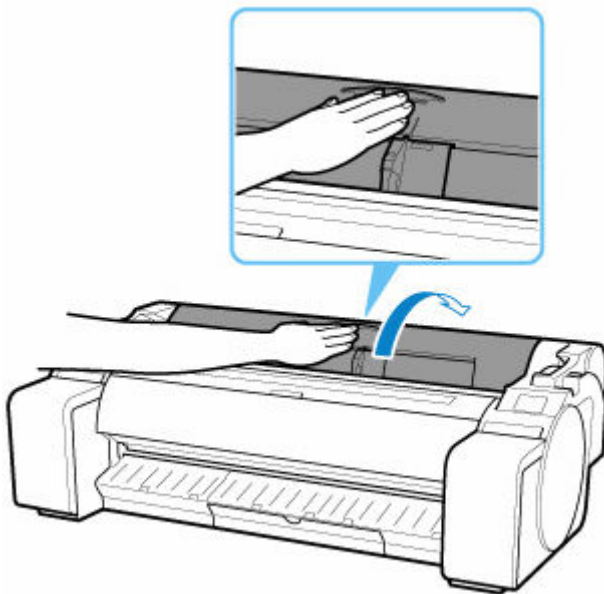


If roll paper jams, follow the steps below to remove jams.

1. Turn off printer.

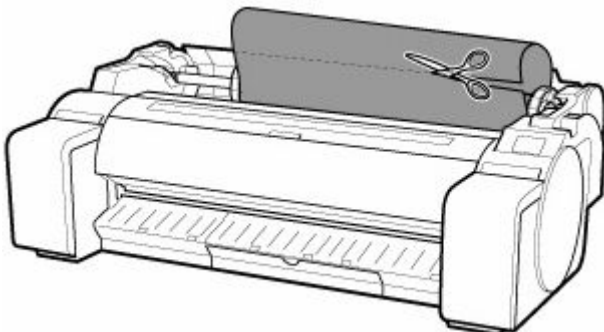
➔ [Turning the Printer On and Off](#)

2. Positioning your hands as shown, open roll paper cover.



3. Cut loaded roll paper with regular scissors or the like.

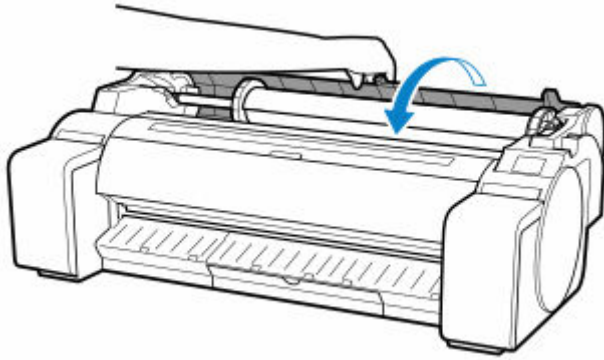
Before cutting, loose the roll paper and lift it up.



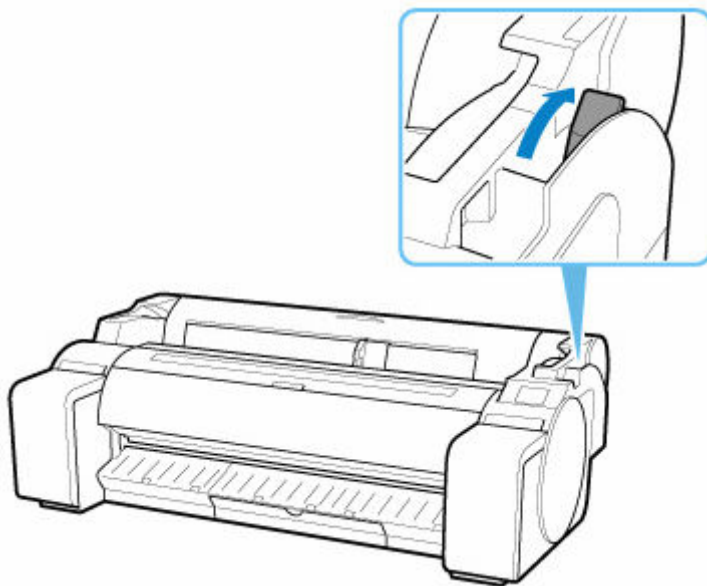
### Caution

- When cutting paper, be careful to avoid injury or damage to the printer.
-

**4.** Holding it at the positions indicated, close roll paper cover.



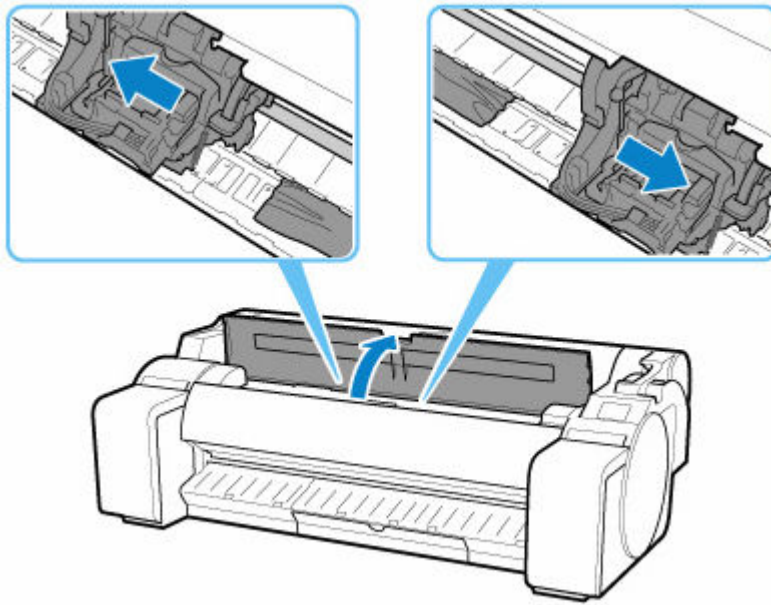
**5.** Push release lever back.



**6.** Remove jammed paper.

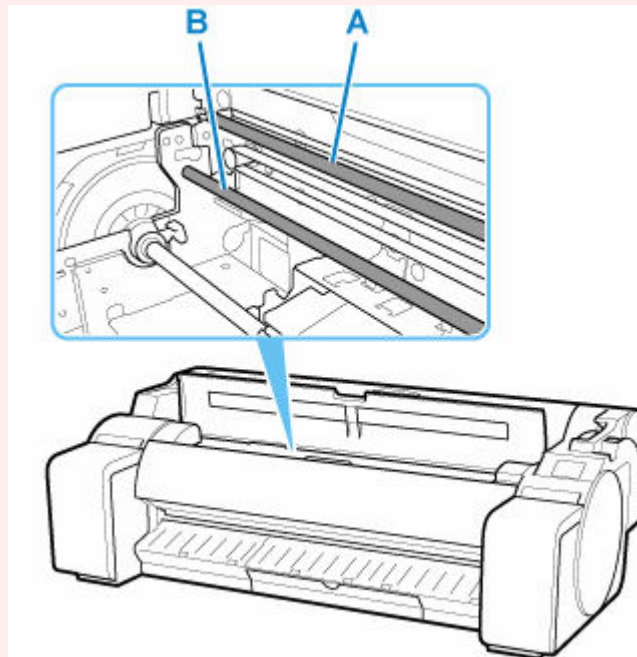
- If paper is jammed inside the top cover

**1.** Open top cover and move carriage to the left or right side manually, away from the jam.



**Important**

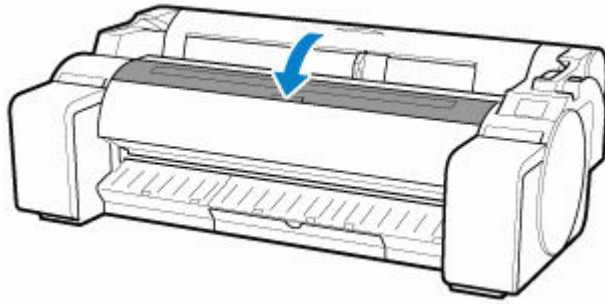
- Do not move the carriage over jammed paper. This may damage the print head.
- Do not touch the linear scale (A) or carriage shaft (B). This may stain your hands and damage the printer.



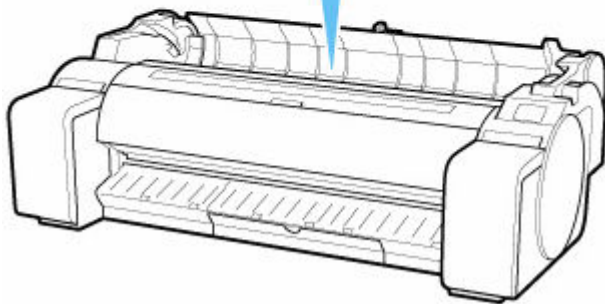
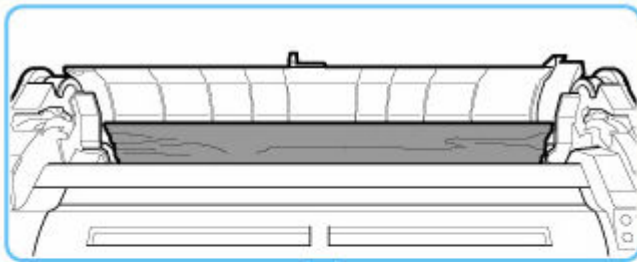
**2.** Remove any jammed paper inside top cover.

After removing the paper, make sure there are no other scraps of paper in the printer.

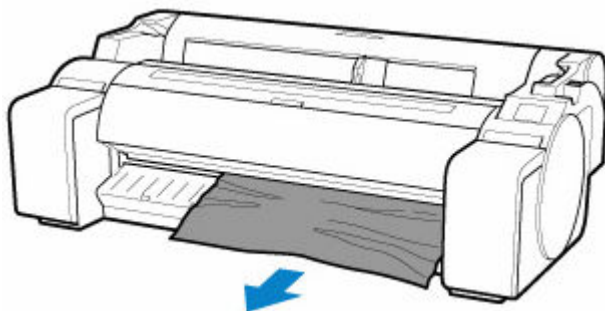
**3.** Close top cover.



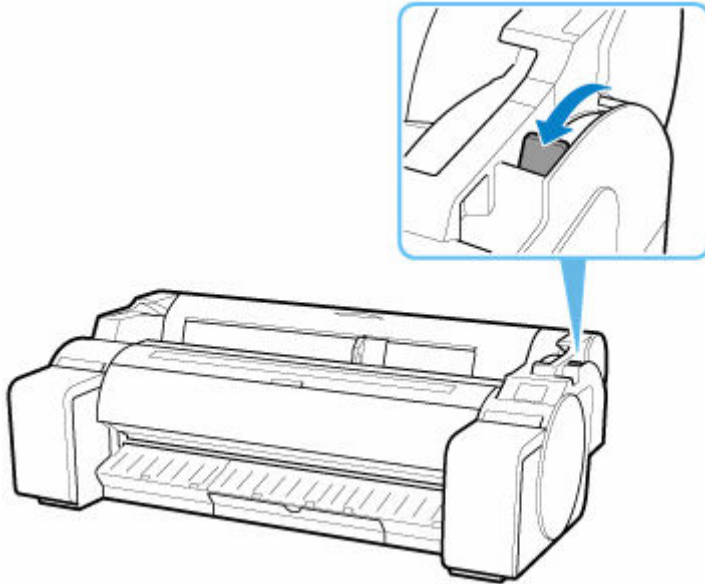
- If the paper from a roll is jammed by the paper feed slot  
Remove the jammed paper from the paper feed slot.  
After removing the paper, make sure there are no other scraps of paper in the printer.



- If the paper is jammed by the ejection guide  
Remove the jammed paper from the output tray.  
After removing the paper, make sure there are no other scraps of paper in the printer.



7. Pull release lever forward.



**»» Important**

- Changing the release lever position while printing is in progress causes paper jam, misaligned lines, or wrong colors. Be careful not to touch the release lever while printing in progress.



## Remove a Jammed Sheet

---

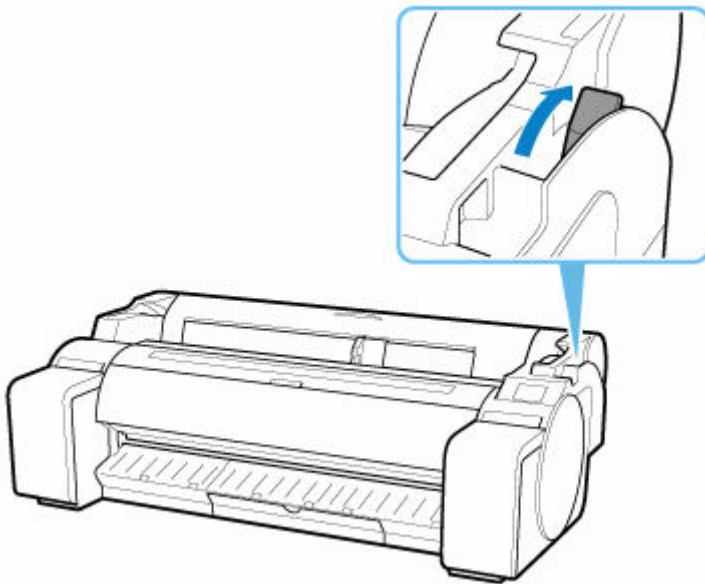


If a sheet jams, follow the steps below to remove it.

1. Turn off printer.

➔ [Turning the Printer On and Off](#)

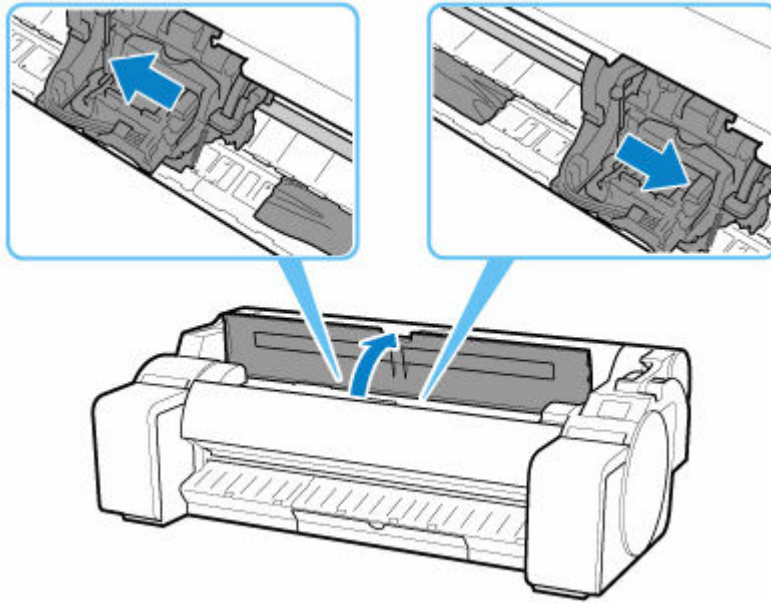
2. Push release lever back.



3. Remove jammed paper.

- If paper is jammed inside the top cover

1. Open top cover and move carriage to the left or right side manually, away from the jam.



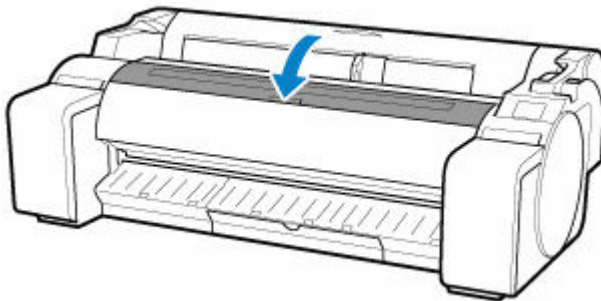
**»» Important**

- Do not move the carriage over jammed paper. This may damage the print head.

**2.** Remove any jammed paper inside top cover.

After removing the paper, make sure there are no other scraps of paper in the printer.

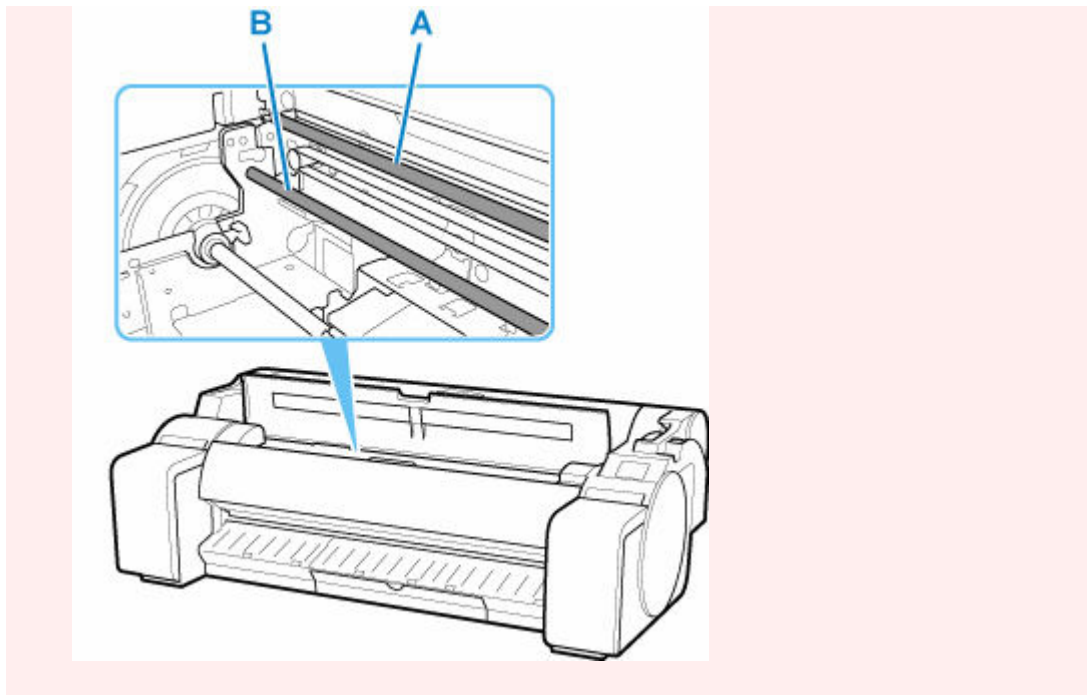
**3.** Close top cover.



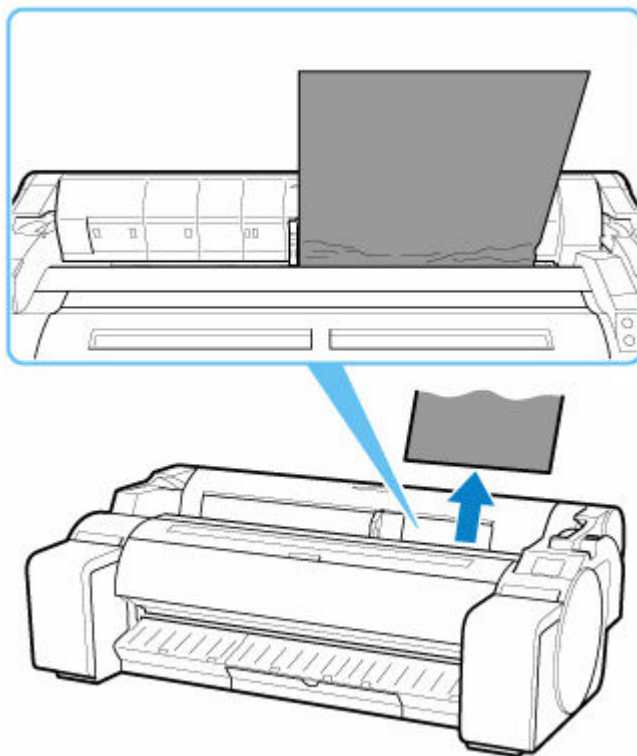
**»» Important**

- Do not touch the linear scale (A) or carriage shaft (B). This may stain your hands and damage the printer.

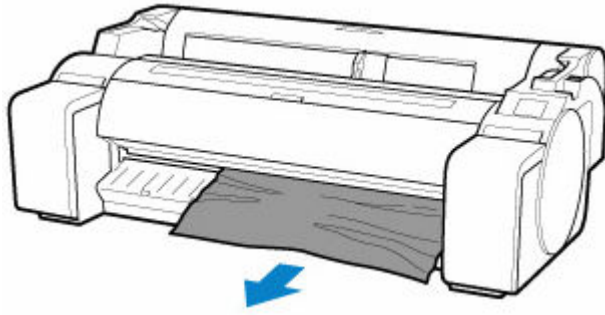




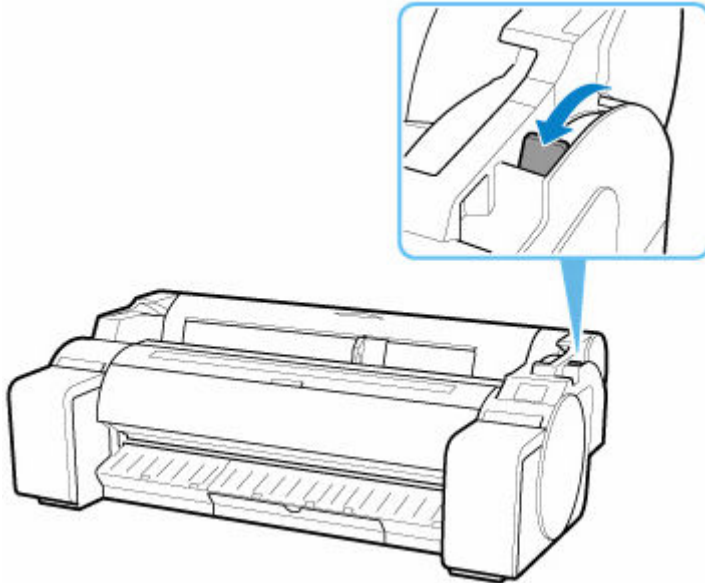
- If the paper is jammed by the paper feed slot  
Remove the jammed paper from the paper feed slot.  
After removing the paper, make sure there are no other scraps of paper in the printer.



- If the paper is jammed by the ejection guide  
Remove the jammed paper from the output tray.  
After removing the paper, make sure there are no other scraps of paper in the printer.



4. Pull release lever forward.



**»» Important**

- Changing the release lever position while printing is in progress causes paper jam, misaligned lines, or wrong colors. Be careful not to touch the release lever while printing in progress.



## Remove Jammed Paper (Paper Feed Slot)

---

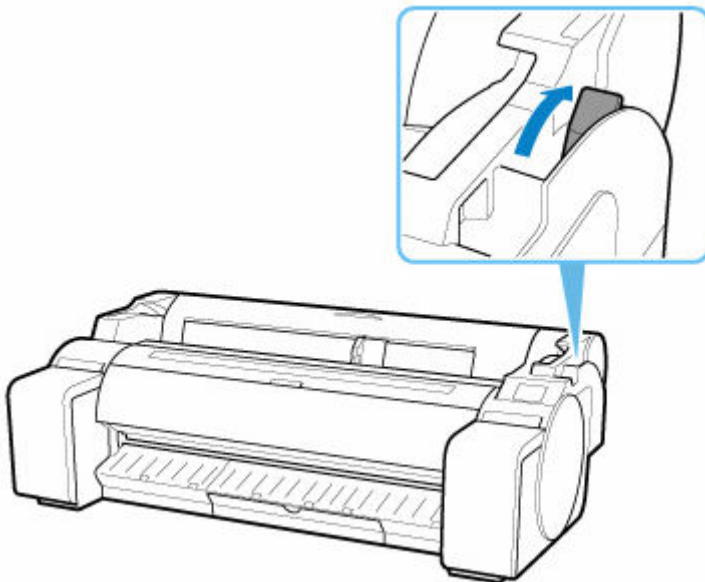


Follow these steps to remove any scraps left in the paper feed slot after you clear jammed sheets or roll paper.

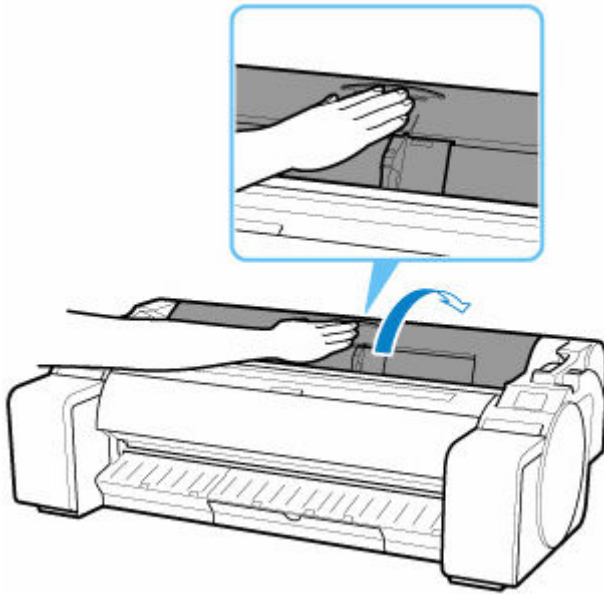
1. Turn off printer.

➔ [Turning the Printer On and Off](#)

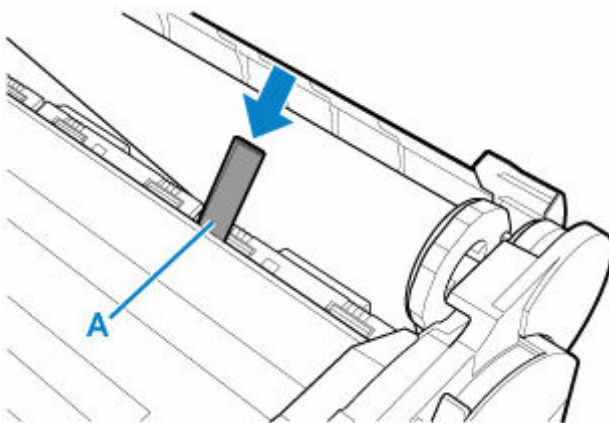
2. Push release lever back.



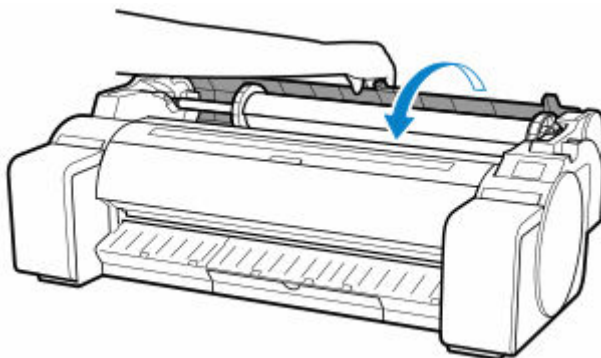
3. Positioning your hands as shown, open roll paper cover.



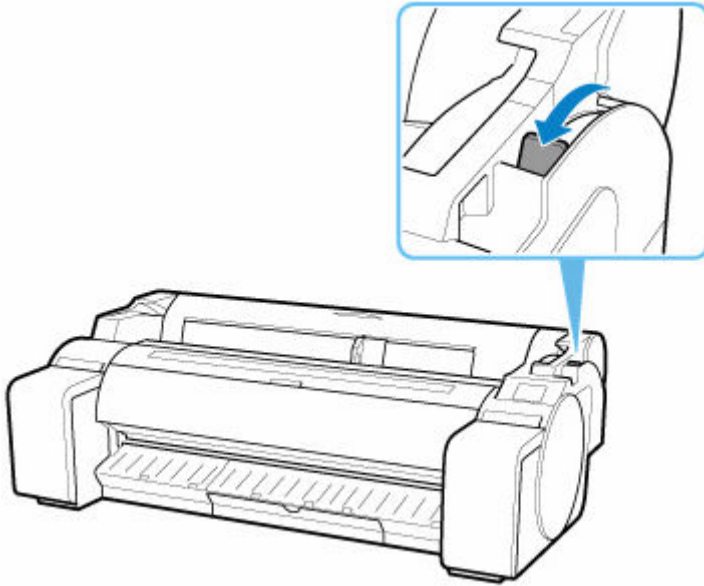
- 4.** Fold an A4 sheet lengthwise four times and insert it through the gap of paper feed slot. Push scrap out toward platen.



- 5.** Remove scrap when it is pushed out onto platen.
- 6.** If any scraps remain inside paper feed slot, repeat steps 4 and 5.
- 7.** Holding it at the positions indicated, close roll paper cover.



8. Pull release lever forward.



**▶▶ Important**

- Changing the release lever position while printing is in progress causes paper jam, misaligned lines, or wrong colors. Be careful not to touch the release lever while printing in progress.



## Roll paper cannot be inserted into the Paper Feed Slot



### Check 1 Is the roll paper curled?

Straighten out curls and reload the roll.

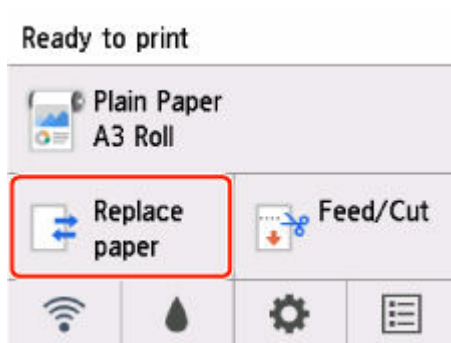
### Check 2 Is paper jammed in the feed slot?

Remove the jammed paper.

- ➔ [Remove Jammed Roll Paper](#)
- ➔ [Remove a Jammed Sheet](#)

### Check 3 Check the paper information on the HOME screen.

If "Roll" is not displayed, select **Replace roll paper** or **Load roll paper** from the **Select paper** screen, and then load the roll paper.

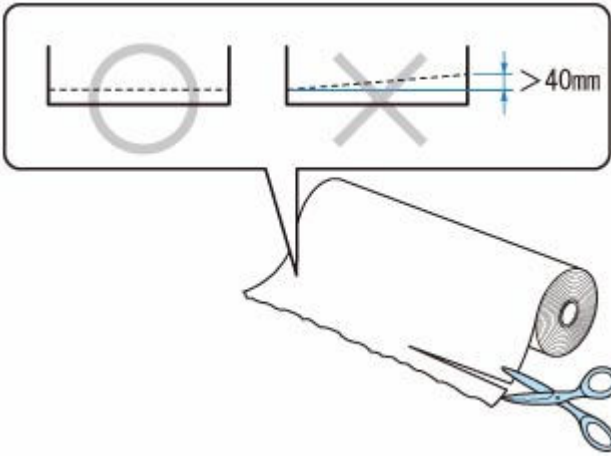


### ▶▶▶ Note

- You cannot load a roll paper and sheets on the printer at the same time.

### Check 4 The leading edge of the roll paper may not be cut properly.

If the leading edge of the roll paper is crooked or folded, the paper may not be fed correctly. Cut the leading edge with scissors to straighten it. If the roll paper has a printed barcode, be careful not to cut the barcode part.





## Roll Paper Remains/Lacks under Quantity Management

---



**Check** Check the setting of **Manage remaining roll amount**.

- If **Barcodes** is selected for **Manage remaining roll amount**:
  1. Enter **Roll paper length** and tap **OK**.
  2. Select the timing when the warning message appears for **Roll amount warning settings**.
- If **Warning message only** is selected for **Manage remaining roll amount**:

Select the timing to display warning messages for **Roll amount warning settings**.

➔ [Paper-related settings](#)





## Cannot load sheets

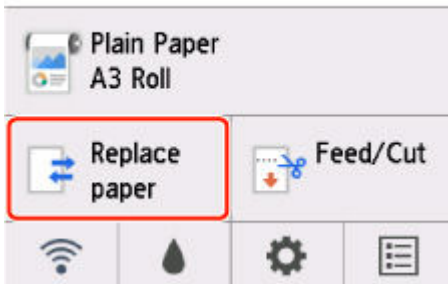
---



**Check** Check the paper information on the HOME screen.

If "Roll" is displayed, select **Load cut sheet** from the **Select paper** screen, and then load the sheet.

Ready to print



### ▶▶▶ Note

- You cannot load a roll paper and sheets on the printer at the same time.



## Paper is not cut straight

---



**Check 1** Is the edge of the paper cutting position creased?

Straighten out any curling by the edges of the paper.

**Check 2** Is the edge of the paper cutting position lifting up when cutting?

Reload the paper correctly.

**Check 3** Is the paper a type that can be cut with the cutter blade?

Set **Cutting mode** in the touch screen menu to **User cut**, then and cut the roll paper with a cutting implement such as scissors.

➔ [Specifying the Cutting Method for Rolls](#)

**Check 4** Are you using the basket properly?

Make sure that you are using the basket properly.

➔ [Using the Basket](#)

**Check 5** Check that the **Cut speed** setting is correct.

Select **Paper settings** > **Advanced** on **Paper menu** in the touch screen menu, and change **Cut speed**.

If the paper edge cannot be cut straight at the cut starting position, it may be improved by selecting slower cut speed than that selected currently.

If the paper edge cannot be cut straight at the cut ending position, it may be improved by selecting faster cut speed than that selected currently.

Select **Paper settings** > **Advanced** on **Paper menu** in the touch screen menu, and change the **Cut speed** setting.

➔ [Menu Structure](#)

**Check 6** Did the printing material slip diagonally while being cut?

Set the **Cutting mode** in the touch screen menu to **Eject cut**, and then hold and cut the material after it has printed.

➔ [Specifying the Cutting Method for Rolls](#)

**Check 7** Is the cutter blade attached properly?

Attach the cutter blade properly.

➔ [Replacing the Cutter Blade](#)

**Check 8** Is the edge of the cutter blade blunt?

Replace the cutter blade.

➔ [Replacing the Cutter Blade](#)



## Paper is not cut

---



**Check 1** Is **Automatic Cutting** in the printer driver set to **No** or **Print Cut Guideline**?

Set the printer driver **Automatic Cutting** setting to **Yes**.

- ➔ Page Setup Tab Description (Windows)
- ➔ [Quality & Media](#) (macOS)

**Check 2** Is **Cutting mode** in the touch screen menu set to **Eject cut** or **User cut**?

If **Cutting mode** is set to **Eject cut**, select **Feed/cut** in the touch screen menu and cut the paper.

If **Cutting mode** is set to **User cut**, cut the roll paper with a cutting implement such as scissors.

- ➔ [Specifying the Cutting Method for Rolls](#)

**Check 3** Is the cutter blade attached?

Attach the cutter blade.

- ➔ [Replacing the Cutter Blade](#)



## Cutter Blade Does Not Work While Cutting Is in Progress

---



### Check 1 Does a message appear on the touch screen?

If the cutter blade failed to cut the paper, it stops moving and a message appears on the touch screen.

Remove the paper and try printing again.

➔ [Remove Jammed Roll Paper](#)

### Check 2 Make sure the cutter blade can cut paper used currently.

Select **User cut** for **Cutting mode** in the touch screen menu and cut the roll paper with a cutting implement such as scissors.

➔ [Specifying the Cutting Method for Rolls](#)

### Check 3 Check the setting value for **Cut speed**.

Selecting slower value may enable the cutter blade to cut paper.

Tap paper settings display area on Home screen of touch screen, tap the feed slot where the paper to change is set, then tap **Paper settings** > **Advanced** and, change the setting value of **Cut speed**.

➔ [Menu Structure](#)

➔ [Paper-related settings](#)

### Check 4 Is the edge of the cutter blade blunt?

Replace the cutter blade.

➔ [Replacing the Cutter Blade](#)



## Dent in the Tip of Paper

---



**Check** Are you keeping the roll in the printer for a long time without printing on it?

Doing so may leave a dent on the tip of paper and it remains when you print on the paper the next time.

When printing quality is most important, we recommend cutting the paper tip before printing.

On the HOME screen, selecting **Feed/Cut > Cut paper > Yes** enables the printer to cut the paper tip at the shortest length.

➔ [Menu Structure](#)



## The size of clear film cannot be detected

---



**Check** Is the platen dirty with ink?

Open the top cover and clean the entire platen area.

➔ [Cleaning Inside the Top Cover](#)



## Printer Keeps Ejecting the Roll Paper

---



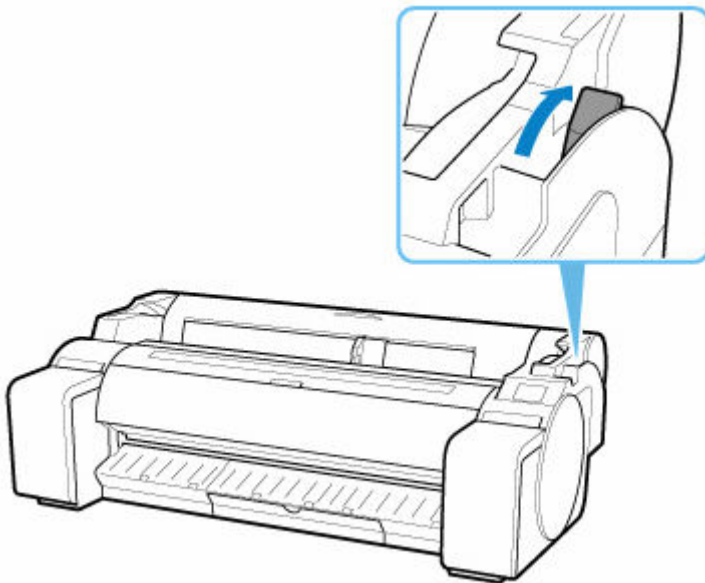
When a sheet is selected on the HOME screen, loading a roll paper with its surface left loose may make the printer recognize the loaded roll paper as a sheet.

In this case, selecting **Remove paper** on **Paper menu** may allow the printer to keep ejecting the paper.

Check the paper feed settings on the printer.

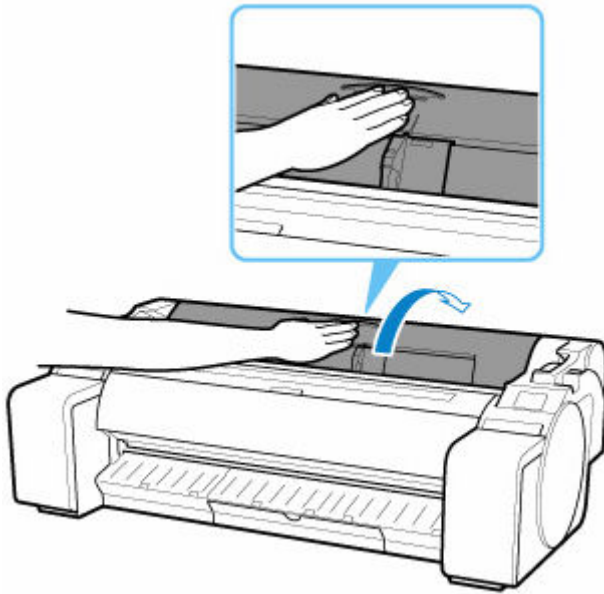
After roll ejection stops, follow these steps to reload the roll.

1. Push release lever back.



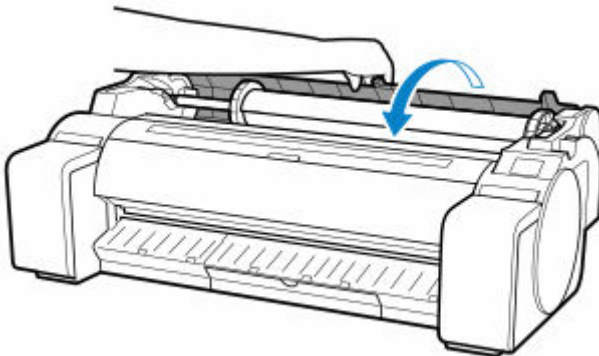
2. Positioning your hands as shown, open roll paper cover.



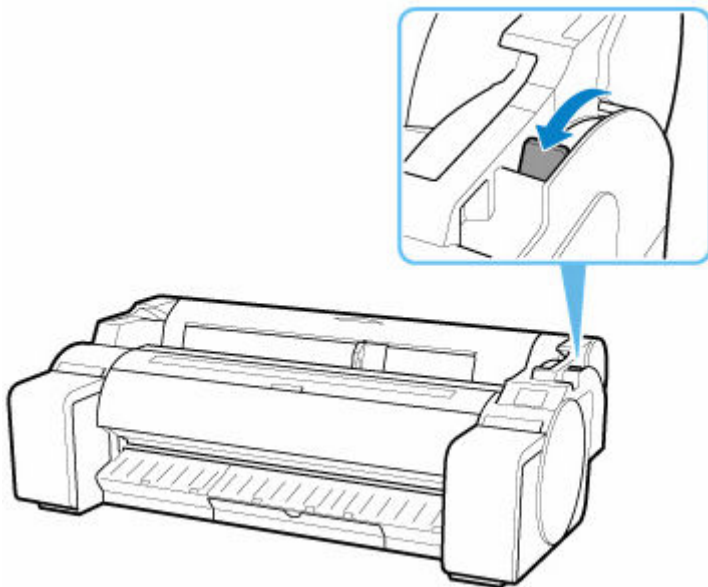


**3.** Using both hands, rotate the roll holder toward the back to rewind the roll.  
At this time, ensure that both ends of the roll are rewound evenly.

**4.** Holding it at the positions indicated, close roll paper cover.



**5.** Pull release lever forward.



## 6. Load roll.

At this time, be sure to press the Load button and select **Load roll paper**.

➡ [Loading Rolls in the Printer](#)



## Margins are wide

---



**Check 1** Is auto cut being used on printed material with a wide margin on the trailing edge only?

Rolls are advanced a specific amount before cutting to prevent problems with cutting and paper ejection.

This operation is normal.

The specified length varies depending on the media type and the usage environment (humidity). Please refer to the minimum printing length of the paper from paper information list.

If the length of the printed document is shorter than the minimum cut length, an extra edge margin will be added to increase the length of the printed document to the minimum cut length.

➔ [Paper Information List \(Rolls\)](#)

**Check 2** Is leading edge detection set to **Do not detect**?

**Do not detect** may have been set by responding to the message **Do you want to set to detect the leading edge of the paper?** when **Cutting mode** was set to **User cut** in the touch screen menu.

If the message **Do you want to set to detect the leading edge of the paper?** appears when setting **Cutting mode** to **User cut**, select **Detect (recommended)**.

Please note that if **Detect (recommended)** is selected and the paper has a strong curl, the Print head may rub against the edge of the paper when printing starts.

➔ [Specifying the Cutting Method for Rolls](#)



## When printing on roll paper, the printed surface becomes scratched

---



Make sure the roll paper has not lost tension during printing.

If the roll paper loses tension, the paper surface could be damaged and the paper could wrinkle or fold.

Select **Paper settings > Advanced** on **Paper menu** in the touch screen menu, and set **Roll paper tension (printing)** to **High**.

➔ [Menu Structure](#)

### ▶▶▶ Note

- Carrying out **Adjust print quality** is recommended when changing **Roll paper tension (printing)** settings.

## **Printing Does Not Start**

---

- **Printer Suddenly Stopped Working for Some Reason**
- **The Data lamp on the Operation Panel does not light up**
- **The printer does not respond even if print jobs are sent**
- **"Preparing the ink system." is displayed**
- **"Agitating the ink" is displayed**
- **Message Is Displayed and Borderless Printing Fails**

## Printer Suddenly Stopped Working for Some Reason

---

- ➔ [Cannot Connect to a Printer after Network Configuration Changes](#)
- ➔ [Cannot Connect to a Printer via Wi-Fi](#)
- ➔ [Cannot Connect to a Printer through Wireless Direct](#)
- ➔ [Cannot Connect to a Printer via Wired LAN](#)
- ➔ [Cannot Print through Network](#)

### Cannot Connect to a Printer after Network Configuration Changes

---

#### A

It may take a while for the computer to obtain an IP address, or you may need to restart your computer. Make sure the computer has obtained a valid IP address, and try again to find the printer.

### Cannot Connect to a Printer via Wi-Fi

---

#### A

**Check 1** Check the power status of printer and devices (e.g. wireless router or computer) connected to the network.

Turn on the printer or devices.

If the power is already turned on, turn it off and on again.

It may be necessary to resolve wireless router problems (e.g. update interval of a key, problems of DHCP update interval, energy saving mode, etc.) or to update the wireless router firmware.

For details, contact the manufacturer of your wireless router.

**Check 2** Can you view any web pages on your computer?

Make sure your computer is connected to the wireless router properly.

For more on checking computer settings or connection status, see the instruction manual supplied with the computer or contact the manufacturer.

**Check 3** Is the printer connected to the wireless router?

Use the icon on the touch screen to check the connection status between the printer and wireless router. If the



icon is not displayed, Wi-Fi is disabled. Turn on wireless communication on the printer.

**Check 4** Make sure the printer and wireless router network settings match.

Make sure the network settings of the printer (e.g. wireless router name, SSID, network key, etc.) are identical with those of the wireless router.

To check the settings of the wireless router, refer to the instruction manual provided with it or contact its manufacturer.

To check the current network settings of the printer, print out the network setting information.

➔ [Printing Network Settings](#)

### ➤➤➤ Note

- IJ Network Device Setup Utility allows you to diagnose and repair the network status.

Select the link below to download IJ Network Device Setup Utility and install it.

➔ [Checking Printer Connection Status Using IJ Network Device Setup Utility](#)

### Check 5 Make sure the printer is not placed too far away from the wireless router.

If the distance between the printer and wireless router is too far, wireless communication becomes poor. Place the printer and wireless router close to each other.

### ➤➤➤ Note

- Though an antenna is attached to most wireless routers, note that some of them have it inside.

### Check 6 Make sure wireless signal is strong. Monitor signal status and move printer and wireless router as necessary.

Place the printer and wireless router where there are no obstacles between them. Wireless communication between different rooms or floors is generally poor. Wireless communication can be impeded by building materials containing metal or concrete. If the printer cannot communicate with the computer over a Wi-Fi due to a wall, place the printer and the computer in the same room.

In addition, if a device like a microwave oven that emits radio waves of the same frequency bandwidth as a wireless router is nearby, it may cause interference. Place the wireless router as far away from interference sources as possible.

### ➤➤➤ Note

- IJ Network Device Setup Utility allows you to diagnose and repair the network status.

Select the link below to download IJ Network Device Setup Utility and install it.

➔ [Checking Printer Connection Status Using IJ Network Device Setup Utility](#)

### Check 7 Make sure of the Wi-Fi channel numbers used for your computer.

You need to have the same Wi-Fi channel number that you are using for the wireless router as your computer. It is normally set in the way that you can use all the Wi-Fi channels. However, when the channels that you are using are restricted, the Wi-Fi channels do not match.

See the instruction manual provided with your computer and check the Wi-Fi channel number available for your computer.

### Check 8 Make sure channel set on wireless router is a usable channel as confirmed in Check 7.

If it is not, change the channel set on the wireless router.

**Check 9** Make sure security software's firewall is off.

If your security software's firewall is on, a message may appear warning you that Canon software is attempting to access the network. If this warning message appears, set security software to always allow access.

If you are using any programs that switch between network environments, check their settings.

**Check 10** If printer is connected to an AirPort Base Station via LAN, make sure you use alphanumeric characters for network identifier (SSID). (macOS)

**If the problem is not resolved, redo setup.**

- For Windows:  
Perform setup using the Setup CD-ROM or from Setup Guide.
- For macOS:  
Perform setup from Setup Guide.

## **Cannot Connect to a Printer through Wireless Direct**

---

### 

**Check 1** Check the power status of printer and other devices (smartphone or tablet).

Turn on the printer or devices.

If the power is already turned on, turn it off and on again.

**Check 2** Is the  icon displayed on the touch screen?

If not, Wireless Direct is disabled. Turn on Wireless Direct.

**Check 3** Check the settings of your device (smartphone/tablet).

Make sure Wi-Fi is enabled on your device.

For details, refer to your device's instruction manual.

**Check 4** Make sure printer is selected as connection for device (e.g. smartphone or tablet).

Select the identifier for Wireless Direct (SSID) specified for the printer as the connection destination for devices.

Check the destination on your device.

For details, refer to your device's instruction manual or visit the manufacturer's website.

To check the identifier for wireless direct (SSID) specified for the printer, display it using the operation panel of the printer or print out the network setting information of the printer.

- Display on the touch screen.



➔ [LAN settings](#)

- Print the network settings.

➔ [Printing Network Settings](#)

#### Check 5 Have you entered the proper password specified for the Wireless Direct?

To check the password specified for the printer, display it using the operation panel of the printer or print out the network setting information of the printer.

- Display on the touch screen.

➔ [LAN settings](#)

- Print the network settings.

➔ [Printing Network Settings](#)

#### Check 6 Make sure the printer is not placed too far away from the device.

If the distance between the printer and device is too far, wireless communication becomes poor. Place the printer and device close to each other.

#### Check 7 Make sure 5 devices are already connected.

Wireless Direct does not allow more than 5 devices to be connected.

## Cannot Connect to a Printer via Wired LAN

---

### 

#### Check 1 Make sure the printer is turned on.

#### Check 2 Make sure the LAN cable is connected properly.

Make sure the printer is connected to the router with the LAN cable. If the LAN cable is loose, connect the cable properly.

If the LAN cable is connected to the WAN side of the router, connect the cable to the LAN side of the router.

#### **If the problem is not resolved, redo setup.**

- For Windows:

Perform setup using the Setup CD-ROM or from Setup Guide.

- For macOS:

Perform setup from Setup Guide.

## **Cannot Print through Network**

---

### **A**

**Check 1** Make sure the computer is connected to the wireless router.

For more on how to check the computer settings or connection status, see your computer instruction manual or contact its manufacturer.

**Check 2** If the printer driver is not installed, install it. (Windows)

Install the printer driver using the Setup CD-ROM or install it from [here](#).

**Check 3** When using Wi-Fi, make sure wireless router does not restrict which computers can access it.

For more on connecting to and setting up your wireless router, see the wireless router instruction manual or contact its manufacturer.



## The Data lamp on the Operation Panel does not light up

---



### Check 1 Does the printer have power?

Check that the power cord is firmly plugged all the way in. Turn on the power to the printer.

### Check 2 Was the correct printer selected?

In Windows, select the printer by clicking **Select Printer** or **Printer** in the printing dialog box and try printing again.

In macOS, open the dialog box of the printer driver, select the printer from the list of **Printer**, and try printing again.

### Check 3 Is the print job paused?

In Windows, restart the print job as follows.

1. Select the printer icon in the **Devices and Printers** window.
2. Clear **Pause Printing** in the **Printer** menu to restart the print job.

In macOS, restart the print job as follows.

1. Click **Print & Scan** (or **Print & Fax**).
2. Select the printer, and then **Resume Printer** (or **Start Jobs**) in the **Printers** menu to restart the print job.



## The printer does not respond even if print jobs are sent

---



### Check 1 Is **Pause printing** set to **Enable**?

Set **Pause printing** on the touch screen menu to **Disable**.

➔ [Pausing Printing](#)

### Check 2 Is USB or LAN connection disabled?

- For USB connection:

Set **Use USB connection** on the touch screen menu to **Use**.

- For LAN connection (wired/Wi-Fi/Wireless Direct):

Set **Enable/disable Wired LAN**, **Enable/disable Wi-Fi**, or **Enable/disable Wireless Direct** on the touch screen menu to **Enable**.

#### ➤➤➤ **Note**

- You cannot enable wired LAN and Wi-Fi or Wireless Direct at the same time.

### Check 3 Is **Save to job box** selected as the printer **Output method**?

Print the job saved on the printer's hard disk.

➔ [Printing Saved Jobs](#)

### Check 4 Is the print job pending?

Manage the jobs on hold and print as needed.

➔ [Printing Pending Jobs](#)



## "Preparing the ink system." is displayed

---



The Print head and sub-ink tank are being filled with ink.

Wait until the system has been filled with ink.

### **»» Note**

- This message might appear if you force the power off while the printer is operating.  
Always follow the correct procedure when turning off the power.  
➔ [Turning the Printer On and Off](#)



## **"Agitating the ink" is displayed**

---



Ink agitation is in progress.

Please wait until ink agitation is finished.

Agitation time varies depending on time elapsed since powering off (approximately 30 seconds to 2 minutes).

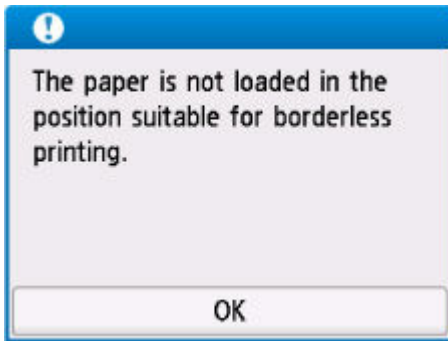


## Message Is Displayed and Borderless Printing Fails

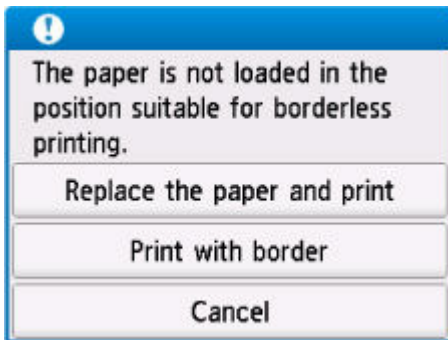
---



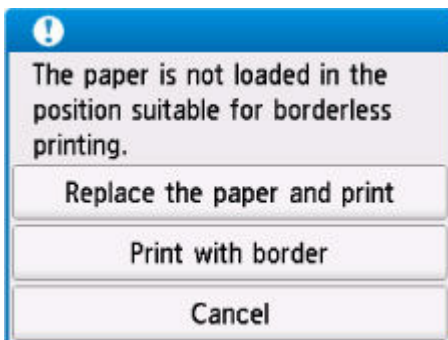
For information on possible solutions, refer to the link for each message.



➔ [4114](#)



➔ [4116](#)



➔ [4913](#)

## **The Printer Stops During a Print Job**

---

- **Printing stops and an error message is displayed**
- **The printer ejects blank, unprinted paper**





## Printing stops and an error message is displayed

---



If the action indicated in the error message does not solve the problem, the roll paper may not be able to be advanced and may be stuck.

**Check 1** Is the loaded roll paper touching printer parts, etc.?

If the loaded roll paper is touching printer parts, load the roll paper again.

➔ [Removing the Roll from the Printer](#)

**Check 2** Is the roll paper proper to use?

Check the outer diameter and paper thickness of the roll paper that can be used with your printer.

➔ [Paper Sizes](#)



## The printer ejects blank, unprinted paper

---



**Check 1** The leading edge of the roll paper may have been trimmed.

The leading edge of the roll paper may be trimmed if **Trim edge first** is not set to **Off** or **Manual** in the touch screen menu.

➔ [Cutting the Leading Edge of Roll Paper Automatically](#)

**Check 2** Is the Print head nozzle blocked?

Print a nozzle check pattern to check the Print head status.

➔ [Checking for Nozzle Clogging](#)

**Check 3** Is the correct printer driver selected?

Print again using the correct printer driver for your printer.

**Check 4** When you print data including HP RTL command, check the settings below in the touch screen menu.

- Set **Auto rotation** to **OFF**.
- If **Rotate** is set to **90 degrees**, select **0 degrees** and start printing.

➔ [Menu Structure](#)

If none of the above apply, there may be a printer malfunction.

Contact your Canon dealer for assistance.

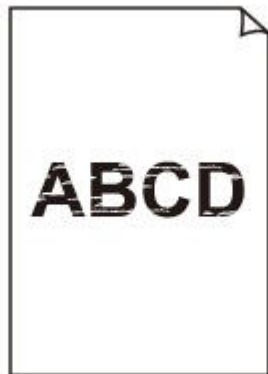
## **Problems with the Printing Quality**

---

- **Printing is faint**
- **Paper rubs against the Print Head**
- **The edges of the paper are dirty**
- **The surface of the paper is dirty**
- **The back side of the paper is dirty**
- **Immediately after borderless printing, the trailing edge margin is soiled during regular printing**
- **Printed colors are inaccurate**
- **Banding in different colors occurs**
- **Colors in printed images are uneven**
- **Image edges are blurred or white banding occurs**
- **The length of the printed image in the paper ejection direction is not accurate**
- **Images are printed crooked**
- **Documents are printed in monochrome**
- **Line thickness is not uniform**
- **Lines or colors are misaligned**
- **Borders appear in borderless printing**



## Printing is faint



**Check 1** Is the reverse side of the paper being used for printing?

Print on the printing surface.

**Check 2** Is the Print head nozzle blocked?

Print a test pattern to check the nozzles and see if they are clogged.

➔ [Checking for Nozzle Clogging](#)

### ▶▶▶ Note

- To automatically check for nozzle blockages after printing, set **Auto nozzle check** in the touch screen menu to a setting other than **Disable**.

To show warnings based on nozzle check results, set **Nozzle check error display** in the touch screen menu to **Enable**.

However, printing may be stopped by warnings if this setting is set to **Enable**.

➔ [Menu Structure](#)

**Check 3** Was the printer left with the ink tank out?

The ink supply may become blocked by ink if the ink tank is left out.

If this happens, leave the printer for at least 24 hours with the ink tank in, and then carry out **Print Head Cleaning**.

➔ [Cleaning the Print Head](#)

**Check 4** Are paper scraps stuck in the top cover?

Remove paper scraps left inside the top cover.

➔ [Remove Jammed Roll Paper](#)

➔ [Remove a Jammed Sheet](#)

**Check 5** Was the paper cut before the ink dried?

Set a longer **Ink drying wait time** in **Advanced paper settings** in the touch screen menu.

➔ [Menu Structure](#)

**Check 6** Is the printer driver **Print Quality** set to a low quality setting?

Follow the steps below to set **Print Quality** to higher quality settings, and then print.

- Windows

Change the **Print Quality** settings in the printer driver **Advanced Settings**.

➔ [Changing the Print Quality and Correcting Image Data \(Windows\)](#)

- macOS

Change the **Print Quality** in the printer driver **Quality & Media** settings.

➔ [Changing the Print Quality and Correcting Image Data \(macOS\)](#)

**Check 7** Does the paper used for printing create a lot of cutting dust?

In the touch screen menu, set **Cut-dust reduction** in **Advanced paper settings** to **ON**.

➔ [Reducing Dust from Cutting Rolls](#)



## Paper rubs against the Print Head



**Check 1** Is the media type specified in the printer driver the same as the media type loaded in the printer?

When printing with the media type specified in the printer driver, load the specified media type in the printer.

- ➔ [Loading Rolls in the Printer](#)
- ➔ [Loading Sheets in the Printer](#)

When printing with the media type loaded in the printer, specify the same media type in the printer driver.

1. To stop printing, press the **Stop** button.
2. Change the paper type in the printer driver and try printing again.

### ▶▶▶ Note

- When **Auto (Use Printer Settings)** is selected for the media type, printing is performed with the media type loaded in the printer.
- Click **Get Information** to reflect the paper information set in the printer to the printer driver.
  - ➔ Printing with Easy Setup

**Check 2** When loading paper in the printer, is the media loaded the same as the media type selected on the touch screen?

Select the correct media type in the touch screen menu when loading paper in the printer.

- ➔ [Loading Rolls in the Printer](#)
- ➔ [Loading Sheets in the Printer](#)

**Check 3** Is the paper loaded properly?

If not loaded properly, paper can buckle and rub against the Print head.

Reload the paper.

- ➔ [Loading Rolls in the Printer](#)
- ➔ [Loading Sheets in the Printer](#)

#### Check 4 Is the Print head height set too low?

Set **Paper thickness (head height)** in the touch screen menu to the value higher than the current one.

- ➔ [Troubleshooting Paper Abrasion and Blurry Images](#)

#### Check 5 Is the paper thick, or a type that curls easily or is prone to buckling after absorbing ink?

If using paper-based printing material such as Heavyweight Coated Paper, set **Transport unit vacuum strength** in the touch screen menu to **Medium-strong** or **Strong**.

If that does not resolve the problem, increase the **Paper thickness (head height)** setting in the touch screen menu.

- ➔ [Adjusting Vacuum Strength](#)
- ➔ [Troubleshooting Paper Abrasion and Blurry Images](#)

If using film-based printing material such as CAD Tracing Paper, set the **Transport unit vacuum strength** in the touch screen menu to **Standard**, **Medium-strong**, or **Strong**.

If that does not resolve the problem, increase the **Paper thickness (head height)** setting in the touch screen menu.

- ➔ [Adjusting Vacuum Strength](#)
- ➔ [Troubleshooting Paper Abrasion and Blurry Images](#)

If using paper thinner than 0.004 inches (0.1 mm), set **Transport unit vacuum strength** in the touch screen menu to **Weak**.

If that does not resolve the problem, increase the **Paper thickness (head height)** setting in the touch screen menu.

- ➔ [Adjusting Vacuum Strength](#)
- ➔ [Troubleshooting Paper Abrasion and Blurry Images](#)

#### Check 6 Does the paper have a strong curl at the front edge or is it buckled?

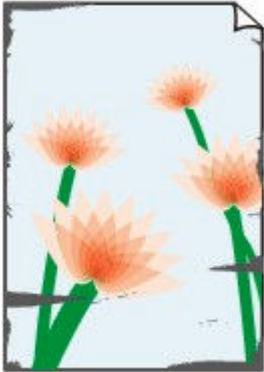
Set **Cutting mode** in the touch screen menu to **User cut**, and set leading edge detection to **Do not detect**.

In this case, to keep track of the amount of remaining roll paper, set **Manage remaining roll amount** to **OFF** before loading the roll paper, and then restore the setting of **Manage remaining roll amount** to **ON** after the roll paper is loaded.

- ➔ [Specifying the Cutting Method for Rolls](#)
- ➔ [Keeping Track of the Amount of Roll Paper Left](#)



## The edges of the paper are dirty



### Check 1 Was printing borderless or on small paper?

The platen may become dirtied by borderless printing or on small paper sizes.

Open the top cover and clean the platen.

➔ [Cleaning Inside the Top Cover](#)

### Check 2 Is **Extension for borderless printing** set to a large value?

The platen may become dirtied by setting a large amount of extension.

Reduce the value of **Extension for borderless printing**.

➔ [Specifying the Amount of Extension for Borderless Printing](#)

### Check 3 Is the media type specified in the printer driver the same as the media type in the printer?

When printing with the media type specified in the printer driver, load the specified media type in the printer.

➔ [Loading Rolls in the Printer](#)

➔ [Loading Sheets in the Printer](#)

When printing with the media type loaded in the printer, specify the same media type in the printer driver.

1. To stop printing, press the **Stop** button.
2. Change the type of paper in the printer driver and try printing again.

### ▶▶▶ Note

- When **Auto (Use Printer Settings)** is selected for the media type, printing is performed with the media type loaded in the printer.
- Click **Get Information** to reflect the paper information set in the printer to the printer driver.



**Check 4** When loading paper in the printer, is the media loaded the same as the media type selected on the touch screen?

Select the correct media type in the touch screen menu when loading paper in the printer.

- ➔ [Loading Rolls in the Printer](#)
- ➔ [Loading Sheets in the Printer](#)

**Check 5** Is the paper creased or curled?

Straighten out the wrinkles or curls and reload the paper.

- ➔ [Loading Rolls in the Printer](#)
- ➔ [Loading Sheets in the Printer](#)

**Check 6** In the touch screen menu, is **Cut-dust reduction** in **Advanced paper settings** set to **ON**?

A cut dust reduction line is printed at the paper cut position when **Cut-dust reduction** is set to **ON**.

If cutting dust reduction is not required, set **Cut-dust reduction** to **OFF**.

- ➔ [Menu Structure](#)

**Check 7** Is the Print head height set too low in the touch screen menu?

Set **Paper thickness (head height)** to the value higher than the current one.

- ➔ [Troubleshooting Paper Abrasion and Blurry Images](#)

**Check 8** Is the paper thick, or a type that curls easily or is prone to buckling after absorbing ink?

If using paper-based printing material such as thick-coat paper, set **Transport unit vacuum strength** in the touch screen menu to **Medium-strong** or **Strong**.

If that does not resolve the problem, increase the **Paper thickness (head height)** setting in the touch screen menu.

- ➔ [Adjusting Vacuum Strength](#)
- ➔ [Troubleshooting Paper Abrasion and Blurry Images](#)

If using film-based printing material such as tracing paper, set the **Transport unit vacuum strength** in the touch screen menu to **Standard**, **Medium-strong**, or **Strong**.

If that does not resolve the problem, increase the **Paper thickness (head height)** setting in the touch screen menu.

- ➔ [Adjusting Vacuum Strength](#)
- ➔ [Troubleshooting Paper Abrasion and Blurry Images](#)

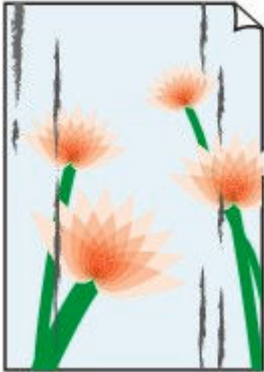
**Check 9** Is the output guide clean?

Clean the output guide.

➔ [Cleaning the Printer Exterior](#)



## The surface of the paper is dirty



### Check 1 Is the paper retainer clean?

Clean the paper retainer.

➔ [Cleaning Inside the Top Cover](#)

### Check 2 If using plain papers, is the media type set to **Plain papers**?

Set the media type to **PlainP(Instant-dry)** for improved quick-drying.

➔ [Changing the Type of Paper](#)

### Check 3 Does this paper take longer to dry?

Increase the length of the **Pause between pages** and **Pause between scans** settings from the touch screen menu.

➔ [Menu Structure](#)

### ▶▶▶ Note

- When printing on paper that takes longer to dry, the paper may curl during printing and come in contact with the output tray.

In such situations, set an **Ink drying wait time** and an **Ink drying target area** for **Pause between scans** in the touch screen menu.

However, note that printing will now take longer.

➔ [Menu Structure](#)

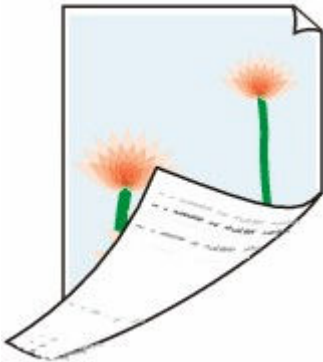
### ▶▶▶ Note

- In a hot and humid environment, rolling paper printed with images containing areas of saturated color may transfer ink to the contact surface, affecting print quality.

Move the printer to a different environment, or let the paper dry before rolling it.



## The back side of the paper is dirty



**Check 1** Was the previous print job borderless, or printed on small paper?

Open the top cover and clean the platen.

➔ [Cleaning Inside the Top Cover](#)

**Check 2** Is **Detect paper width** in the touch screen menu set to **Disable**?

Printing with **Detect paper width** set to **Disable** may cause the platen to be dirtied.

Set **Detect paper width** in the touch screen menu to **Enable**, and then open the top cover and clean the platen.

➔ [Cleaning Inside the Top Cover](#)

To continue printing with **Detect paper width** set to **Disable**, first open the top cover and clean the platen, and then manually feed roll paper over the platen when printing.

➔ [Cleaning Inside the Top Cover](#)

➔ [Feeding Roll Paper Manually](#)

**Check 3** Paper may be gripped weakly over the platen.

Set a higher **Transport unit vacuum strength** in the touch screen menu.

➔ [Adjusting Vacuum Strength](#)

**Check 4** Is the setting of **Extension for borderless printing** in the touch screen menu large?

The platen may become dirtied by setting a large amount of extension.

Reduce the setting of **Extension for borderless printing** in the touch screen menu to less than the current setting.

➔ [Menu Structure](#)

**Check 5** If using plain papers, is the media type set to **Plain papers**?

Set the media type to **PlainP(Instant-dry)** for improved quick-drying.

➔ [Changing the Type of Paper](#)

#### Check 6 Does this paper take longer to dry?

Increase the length of the **Pause between pages** and **Pause between scans** settings from the touch screen menu.

➔ [Menu Structure](#)

#### ▶▶▶ Note

- When printing on paper that takes longer to dry, the paper may curl during printing and come in contact with the output tray.

In such situations, set an **Ink drying wait time** and an **Ink drying target area** for **Pause between scans** in the touch screen menu.

However, note that printing will now take longer.

➔ [Menu Structure](#)

#### ▶▶▶ Note

- If the platen is dirty, open the top cover and clean the platen.
- In a hot and humid environment, rolling paper printed with images containing areas of saturated color may transfer ink to the contact surface, affecting print quality.

Move the printer to a different environment, or let the paper dry before rolling it.



**Immediately after borderless printing, the trailing edge margin is soiled during regular printing**



In some situations, borderless printing with automatic cutting of the leading and trailing edges on roll paper may transfer ink on the cutter blade to the next item printed.

Follow the steps below to change **Between Pages** in **Drying Time** to between 30 seconds and 3 minutes and perform borderless printing.

- Windows

1. Click **Specify** for **Media Type** on the **Main** sheet of the printer driver.
2. Select an ink drying time from the **Between Pages** list in **Drying Time**.

- macOS

Select an ink drying time from the **Drying Time** list on the **Advanced Paper Settings** sheet of the printer driver.



## Printed colors are inaccurate



### Check 1 Is the Print head nozzle blocked?

Print a test pattern to check the nozzles and see if they are clogged.

➔ [Checking for Nozzle Clogging](#)

### Check 2 Has color been adjusted in the printer driver?

Follow the steps below to adjust color settings.

- Windows

Adjust the color settings with **Color Mode > Color Settings** in **Advanced Settings** in the printer driver.

➔ [Main Tab Description \(Windows\)](#)

- macOS

Adjust the color settings in the printer driver **Color Options**.

➔ [Color Options \(macOS\)](#)

### Check 3 Is **Application Color Matching Priority** set to **Off** in a Windows printer driver?

In the printer driver **Layout** sheet, click **Special Settings**, and then set **Application Color Matching Priority** to **On** in the dialog box that appears.

➔ [Layout Tab Description \(Windows\)](#)

### Check 4 Has the computer or monitor color been adjusted?

Take the actions below.

- Refer to the computer and monitor documentation to adjust the colors.



- Adjust the settings of the color management software, referring to the software documentation as needed.

**Check 5** Color varies even between printers of the same model due to differences in firmware and printer driver versions, settings, or environment.

Follow these steps to prepare the printing environment.

1. Use the same version of firmware or printer driver.
2. Specify the same value for all settings items.



## Banding in different colors occurs



### Check 1 Make sure that the Print head nozzle is not blocked

Print a test pattern to check the nozzles and see if they are clogged.

➔ [Checking for Nozzle Clogging](#)

### ▶▶▶ Note

- To automatically check for nozzle blockages after printing, set **Auto nozzle check** in the touch screen menu to a setting other than **Disable**.

To show warnings based on nozzle check results, set **Nozzle check error display** in the touch screen menu to **Enable**.

However, printing may be stopped by warnings if this setting is set to **Enable**.

➔ [Menu Structure](#)

### Check 2 Is the media type specified in the printer driver the same as the media type loaded in the printer?

When printing with the media type specified in the printer driver, load the specified media type in the printer.

➔ [Loading Rolls in the Printer](#)

➔ [Loading Sheets in the Printer](#)

When printing with the media type loaded in the printer, specify the same media type in the printer driver.

1. To stop printing, press the **Stop** button.
2. Change the type of paper in the printer driver and try printing again.

## »» Note

- When **Auto (Use Printer Settings)** is selected for the media type, printing is performed with the media type loaded in the printer.
- Click **Get Information** to reflect the paper information set in the printer to the printer driver.
  - ➔ [Printing with Easy Setup](#)

### Check 3 Does the paper loaded on the printer match the media type selected on the touch screen?

Select the correct media type in the touch screen menu when loading paper in the printer.

- ➔ [Loading Rolls in the Printer](#)
- ➔ [Loading Sheets in the Printer](#)

### Check 4 Has the paper feed rate been calibrated properly?

Adjust the feed amount.

- ➔ [Adjusting Feed Amount](#)

### Check 5 Low **Print Quality** setting causing lines in the printing

Follow the steps below to set **Print Quality** to the highest quality setting, and then print.

- Windows  
Change the **Print Quality** settings in the printer driver **Advanced Settings**.
  - ➔ [Changing the Print Quality and Correcting Image Data \(Windows\)](#)
- macOS  
Change the **Print Quality** in the printer driver **Quality & Media** settings.
  - ➔ [Changing the Print Quality and Correcting Image Data \(macOS\)](#)

### Check 6 Is **Set priority** in the touch screen menu set to **Prioritize length accuracy**?

Setting **Set priority** to **Prioritize print quality** and adjusting the feed amount can help.

- ➔ [Adjusting Feed Amount](#)

### Check 7 Check if the Print head is in the right position

Adjust the Print head position.

- ➔ [Automatic Adjustment to Straighten Lines and Colors](#)

### Check 8 Print job may have been interrupted while receiving, and therefore not printed at a fast frame rate

Exit other applications and cancel other print jobs.



## Colors in printed images are uneven



**Check 1** Does the paper loaded on the printer match the media type selected in the printer driver?

When printing with the media type specified in the printer driver, load the specified media type in the printer.

- ➔ [Loading Rolls in the Printer](#)
- ➔ [Loading Sheets in the Printer](#)

When printing with the media type specified in the printer driver, load the specified media type in the printer.

1. To stop printing, press the **Stop** button.
2. Change the paper type in the printer driver and try printing again.

### ▶▶▶ Note

- When **Auto (Use Printer Settings)** is selected for the media type, printing is performed with the media type loaded in the printer.
- Click **Get Information** to reflect the paper information set in the printer to the printer driver.
  - ➔ Printing with Easy Setup

**Check 2** When loading paper in the printer, is the media loaded the same as the media type selected on the touch screen?

Select the correct media type in the touch screen menu when loading paper in the printer.

- ➔ [Loading Rolls in the Printer](#)
- ➔ [Loading Sheets in the Printer](#)

**Check 3** Is the Print head position adjusted correctly?

Adjust the Print head position.

➔ [Automatic Adjustment to Straighten Lines and Colors](#)

#### Check 4 Is the feed amount adjusted correctly?

Adjust feed amount.

➔ [Adjusting Feed Amount](#)

#### Check 5 Colors in printed images may be uneven if the **Print Quality** setting is too low

If using Windows, select **Advanced Settings** from the **Main** tab of the printer driver, and then select a higher **Print Quality** setting.

If using macOS, select **Quality & Media** in the printer driver, and then select a higher **Print Quality** setting.

➔ Changing the Print Quality and Correcting Image Data (Windows)

➔ [Changing the Print Quality and Correcting Image Data](#) (macOS)

#### Check 6 Colors in printed images may be uneven on the boundary between shades if there are dark and light areas in an image

Prints on the same page while switching between Bidirectional printing and Unidirectional printing. Therefore, color unevenness may occur when switching. Using the unidirectional printing function may reduce color unevenness in this situation.

Follow the steps below for unidirectional printing.

- Windows

Open **Paper Detailed Settings** from the **Main** tab of the printer driver, and then select **Unidirectional Printing**.

- macOS

Open **Advanced Paper Settings** in the printer driver, and then select **Unidirectional Printing**.

#### Check 7 If printing borderless, colors in printed images may be a little uneven at the leading edge of the paper because printing is interrupted to cut the paper

Set the printer driver **Automatic Cutting** settings to **No**, and then print. Doing this prints only the left and right sides borderless. Cut the top and bottom borders with a cutting implement such as scissors after the printed materials are output and cut.

#### ➤➤➤ Note

- Selecting a higher **Print Quality** in the printer driver **Advanced Settings** may resolve the problem.

➔ Changing the Print Quality and Correcting Image Data (Windows)

➔ [Changing the Print Quality and Correcting Image Data](#) (macOS)

#### Check 8 Does this paper curl easily?

Colors in printed images may be uneven at the leading edge of paper that curls easily. Change the **Transport unit vacuum strength** in the touch screen to increase the grip on the paper, or set a margin of at least 0.8 inches (20 mm) at the front edge of the paper.

➔ [Adjusting Vacuum Strength](#)

**Check 9** Color may be uneven if printing materials were stacked while drying

To avoid uneven colors, we recommend drying each sheet separately.

**Check 10** Is **Ink drying target area** for **Pause between scans** in the touch screen menu set to **Leading edge**?

If the **Ink drying target area** for **Pause between scans** is set to **Leading edge**, color may be uneven approximately 4.3 to 6.3 inches (110 to 160 mm) from the front edge of the paper. (The position depends on the **Print Quality** settings)

On the home screen of the touch screen, tap the paper setting display area, tap the paper feed slot where the paper whose settings to change is set, and then tap **Paper settings > Advanced > Pause between scans > Ink drying target area** and set to **Overall**.

However, note that printing will now take longer.

➔ [Menu Structure](#)

**Check 11** Make sure you are not printing cut sheet with AirPrint (macOS)

When you print cut sheets with AirPrint, uneven or streaked colors may occur at the trailing edge of the sheet. To print cut sheets with AirPrint. From the touch screen menu, tap **Printer settings > Paper-related settings > Keep margin at cut sheet end**.

➔ [Menu Structure](#)

**▶▶▶ Note**

- Set **Keep margin at cut sheet end** to **Enable** to increase the margin at the trailing edge of the sheet.



## Image edges are blurred or white banding occurs



**Check 1** Paper may be gripped too strongly over the platen.

Set a lower **Transport unit vacuum strength** in the touch screen menu.

➔ [Adjusting Vacuum Strength](#)

**Check 2** Check if the Print head is in the right position.

For detailed printing of small text or fine lines on glossy or semi-gloss photo paper or proof paper, etc., set the Print head to the optimal height and then adjust the position of the Print head.

➔ [Adjusting the Print Head](#)

Setting a lower value for **Paper thickness (head height)** in the touch screen menu may resolve the problem.

➔ [Troubleshooting Paper Abrasion and Blurry Images](#)

**Check 3** Is the media type specified in the printer driver the same as the media type loaded in the printer?

When printing with the media type specified in the printer driver, load the specified media type in the printer.

➔ [Loading Rolls in the Printer](#)

➔ [Loading Sheets in the Printer](#)

When printing with the media type specified in the printer driver, load the specified media type in the printer.

1. To stop printing, press the **Stop** button.
2. Change the paper type in the printer driver and try printing again.

### ▶▶▶ Note

- When **Auto (Use Printer Settings)** is selected for the media type, printing is performed with the media type loaded in the printer.

- Click **Get Information** to reflect the paper information set in the printer to the printer driver.

➔ Printing with Easy Setup

**Check 4** When loading paper in the printer, is the media loaded the same as the media type selected on the touch screen?

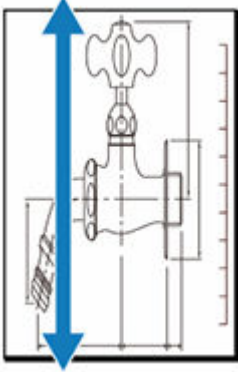
Select the correct media type in the touch screen menu when loading paper in the printer.

- ➔ [Loading Rolls in the Printer](#)
- ➔ [Loading Sheets in the Printer](#)





**The length of the printed image in the paper ejection direction is not accurate**



**Check 1** Is the media type specified in the printer driver the same as the media type loaded in the printer?

When printing with the media type specified in the printer driver, load the specified media type in the printer.

- ➔ [Loading Rolls in the Printer](#)
- ➔ [Loading Sheets in the Printer](#)

When printing with the media type specified in the printer driver, load the specified media type in the printer.

1. To stop printing, press the **Stop** button.
2. Change the paper type in the printer driver and try printing again.

**▶▶▶ Note**

- When **Auto (Use Printer Settings)** is selected for the media type, printing is performed with the media type loaded in the printer.
- Click **Get Information** to reflect the paper information set in the printer to the printer driver.
  - ➔ Printing with Easy Setup

**Check 2** When loading paper in the printer, is the media loaded the same as the media type selected on the touch screen?

Select the correct media type in the touch screen menu when loading paper in the printer.

- ➔ [Loading Rolls in the Printer](#)
- ➔ [Loading Sheets in the Printer](#)

**Check 3** Perform print quality adjustment to automatically adjust the feed amount.

Perform **Adjust print quality** from **Paper feed adjustment** and **Print alignment pattern** to automatically adjust the feed amount.

➔ [Automatic Banding Adjustment](#)

**Check 4** Is **Set priority** for **Paper feed adjustment** in the touch screen menu set to **Prioritize print quality**?

Set **Set priority** for **Paper feed adjustment** to **Prioritize length accuracy**, and then carry out **Adjust feed length**.

➔ [Adjusting Feed Amount](#)



## Images are printed crooked



**Check 1** Has the roll paper been loaded at an angle?

If there is a gap between the roll paper and roll holder, reload the roll on the roll holder.

➔ [Loading Rolls on the Roll Holder](#)

**Check 2** Is **Detect paper width** set to **Disable**?

Set **Detect paper width** in the touch screen menu to **Enable** to load the paper.

➔ [Menu Structure](#)

**Check 3** Is **Skew detection accuracy** in the touch screen menu set to **Loose** or **OFF**?

Set **Skew detection accuracy** to **Standard**, and then reload the paper.

➔ [Menu Structure](#)



## Documents are printed in monochrome



**Check 1** Is **Color Mode** set to **Monochrome**, or **Print Target** set to **Monochrome (Photo)** in a Windows printer driver?

In the **Advanced Settings** of the printer driver, specify **Color** in **Color Mode** and try printing again.

**Check 2** Is **Black and White Photo Print** selected in a macOS printer driver?

Deselect **Black and White Photo Print** in the printer driver **Quality & Media** settings, and then print again.

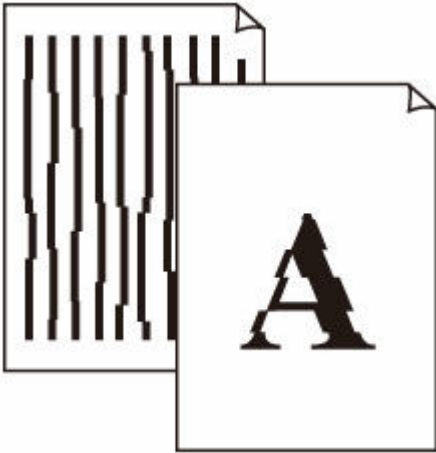
**Check 3** The print head nozzle may be blocked

Print a test pattern to check the color ink nozzles and see if they are clogged.

➔ [Checking for Nozzle Clogging](#)



## Line thickness is not uniform



**Check 1** Is the media type specified in the printer driver the same as the media type loaded in the printer?

When printing with the media type specified in the printer driver, load the specified media type in the printer.

- ➔ [Loading Rolls in the Printer](#)
- ➔ [Loading Sheets in the Printer](#)

When printing with the media type specified in the printer driver, load the specified media type in the printer.

1. To stop printing, press the **Stop** button.
2. Change the paper type in the printer driver and try printing again.

### ▶▶▶ Note

- When **Auto (Use Printer Settings)** is selected for the media type, printing is performed with the media type loaded in the printer.
- Click **Get Information** to reflect the paper information set in the printer to the printer driver.
  - ➔ Printing with Easy Setup

**Check 2** When loading paper in the printer, is the media loaded the same as the media type selected on the touch screen?

Select the correct media type in the touch screen menu when loading paper in the printer.

- ➔ [Loading Rolls in the Printer](#)
- ➔ [Loading Sheets in the Printer](#)

### Check 3 Adjust the position of the Print head

If the printed result does not look uniform, such as when the lines are misaligned, adjust the position of Print Head.

- ➔ [Automatic Adjustment to Straighten Lines and Colors](#)
- ➔ [Manual Adjustment to Straighten Lines and Colors](#)

For photo paper and proof paper, it may be improved by setting **Paper thickness (head height)** to a value lower than the current setting and then adjust the position of the Print head.

- ➔ [Troubleshooting Paper Abrasion and Blurry Images](#)

### Check 4 Is **Fast Graphic Process** set to **On** in the 32-bit Windows printer driver **Special Settings** dialog box?

Access the printer driver **Properties** dialog box from **Print** in the **File** menu of the source application, and follow these steps to print.

1. Deselect **Preview before printing** in the **Main** sheet.
2. Deselect **Page Layout** in the **Layout** sheet.
3. Click the **Special Settings** button in the **Layout** sheet, and then set **Fast Graphic Process** to **Off** in the **Special Settings** dialog box that opens.



## Lines or colors are misaligned



### Check 1 Adjust the position of the Print head

If borders are misaligned or the print results are not uniform, adjust the position of the Print head.

- ➔ [Automatic Adjustment to Straighten Lines and Colors](#)
- ➔ [Manual Adjustment to Straighten Lines and Colors](#)

For photo paper and proof paper, it may be improved by setting **Paper thickness (head height)** to a value lower than the current setting and then adjust the position of the Print head.

- ➔ [Troubleshooting Paper Abrasion and Blurry Images](#)

### Check 2 Is the media type specified in the printer driver the same as the media type loaded in the printer?

When printing with the media type specified in the printer driver, load the specified media type in the printer.

- ➔ [Loading Rolls in the Printer](#)
- ➔ [Loading Sheets in the Printer](#)

When printing with the media type specified in the printer driver, load the specified media type in the printer.

1. To stop printing, press the **Stop** button.
2. Change the paper type in the printer driver and try printing again.

### ▶▶▶ Note

- When **Auto (Use Printer Settings)** is selected for the media type, printing is performed with the media type loaded in the printer.
- Click **Get Information** to reflect the paper information set in the printer to the printer driver.
  - ➔ Printing with Easy Setup

### Check 3 When loading paper in the printer, is the media loaded the same as the media type selected on the touch screen?

Select the correct media type in the touch screen menu when loading paper in the printer.

- ➔ [Loading Rolls in the Printer](#)

➔ [Loading Sheets in the Printer](#)

**Check 4** Adjust the angle of the Print head

Select **Print head angle adjustment** from the touch screen menu to adjust the Print head angle.

➔ [Adjusting Line Misalignment](#)

**Check 5** Is the Roll Paper loaded at an angle?

If there is a gap between the roll paper and the roll holder, reload the roll paper.

➔ [Loading Rolls in the Printer](#)

**Check 6** Is **Detect paper width** set to **Disable**?

Set **Detect paper width** in the touch screen menu to **Enable** to load the paper.

➔ [Menu Structure](#)

**Check 7** Is **Skew detection accuracy** in the touch screen menu set to **Loose** or **OFF**?

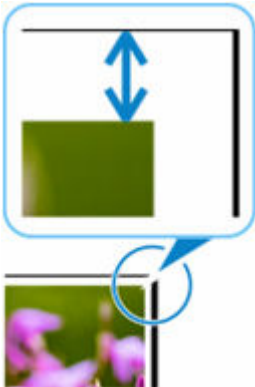
Set **Skew detection accuracy** to **Standard**, and then reload the paper.

➔ [Menu Structure](#)





## Borders appear in borderless printing



If white bandings or borders appear on the edges of borderless printing, check the following items.

### Check 1 Is the position of the Print head adjusted?

Adjusting the position of the Print head will improve the printing accuracy.

➔ [Adjusting the Print Head](#)

### Check 2 If printing full-scale borderless, is the selected paper wider than the source size?

For borderless printing at actual size, use roll paper that has the same width as the actual page size.

- ➔ [Printing Full-Size without Margins \(Windows\)](#)
- ➔ [Printing Full-Size without Margins \(macOS\)](#)

### Check 3 Does the source file have margins?

Check that the printing image data does not have any objects like crop marks and transparent objects.

### Check 4 Is a margin set in application software?

Check that no margins are configured in the application software you are using.

### Check 5 Is the **Extension for borderless printing** set to large in the touch screen menu?

In the touch screen menu, set **Extension for borderless printing** to the smaller number than the current setting.

➔ [Specifying the Amount of Extension for Borderless Printing](#)

## **Cannot Print over Network**

---

- **Cannot Connect Printer to Network**
- **Cannot Print over TCP/IP Network**
- **Cannot Print over Bonjour networks**



## Cannot Connect Printer to Network

---



**Check1** Is the Ethernet cable connected correctly to the printer's wired LAN connector?

Make sure the printer is connected to the network with the correct Ethernet cable, and then turn the printer on. For instructions on connecting the cable, refer to the Setup Guide.

**Check2** Make sure the Link indicator is lit.

The left and right indicators are lit if the printer is connected via 1000Base-T.

The left indicator is green if the printer is connected via 100Base-TX, and the right indicator is orange if connected via 10Base-T.

If the Link indicator is not lit, check the following points.

- The hub is on.
- The end of the Ethernet cable is connected correctly.

Insert the Ethernet cable until it clicks and locks in place.

- There is no problem with the Ethernet cable.

If there is any problem, replace the Ethernet cable.



## Cannot Print over TCP/IP Network

---



### Check 1 Is the printer's IP address configured correctly?

Make sure the printer's IP address is configured correctly.

#### ▶▶▶ Note

- For Windows, you can configure the printer's IP address using IJ Network Device Setup Utility.  
For details, refer to "Performing/Changing Network Settings" > "Performing Network Settings" in IJ Network Device Setup Utility Guide.  
➔ [IJ Network Device Setup Utility Guide](#)

### Check 2 Are the printer's TCP/IP network settings configured correctly?

Make sure the printer's TCP/IP network settings are configured correctly.

### Check 3 Is the computer you are trying to print from configured correctly?

Make sure the computer's TCP/IP network settings are configured correctly.



## Cannot Print over Bonjour networks

---



**Check 1** Is the computer you are trying to print from configured correctly?

Make sure the computer is configured correctly.

**Check 2** Are the computer and printer on the same network?

Due to the nature of Bonjour, printing may not be possible if the printer is on another network behind a router. Make sure the computer and printer are on the same network. For information about network settings, ask your network administrator.

**Check 3** Are the printer's Bonjour settings configured correctly?

Make sure the Bonjour settings are configured correctly.

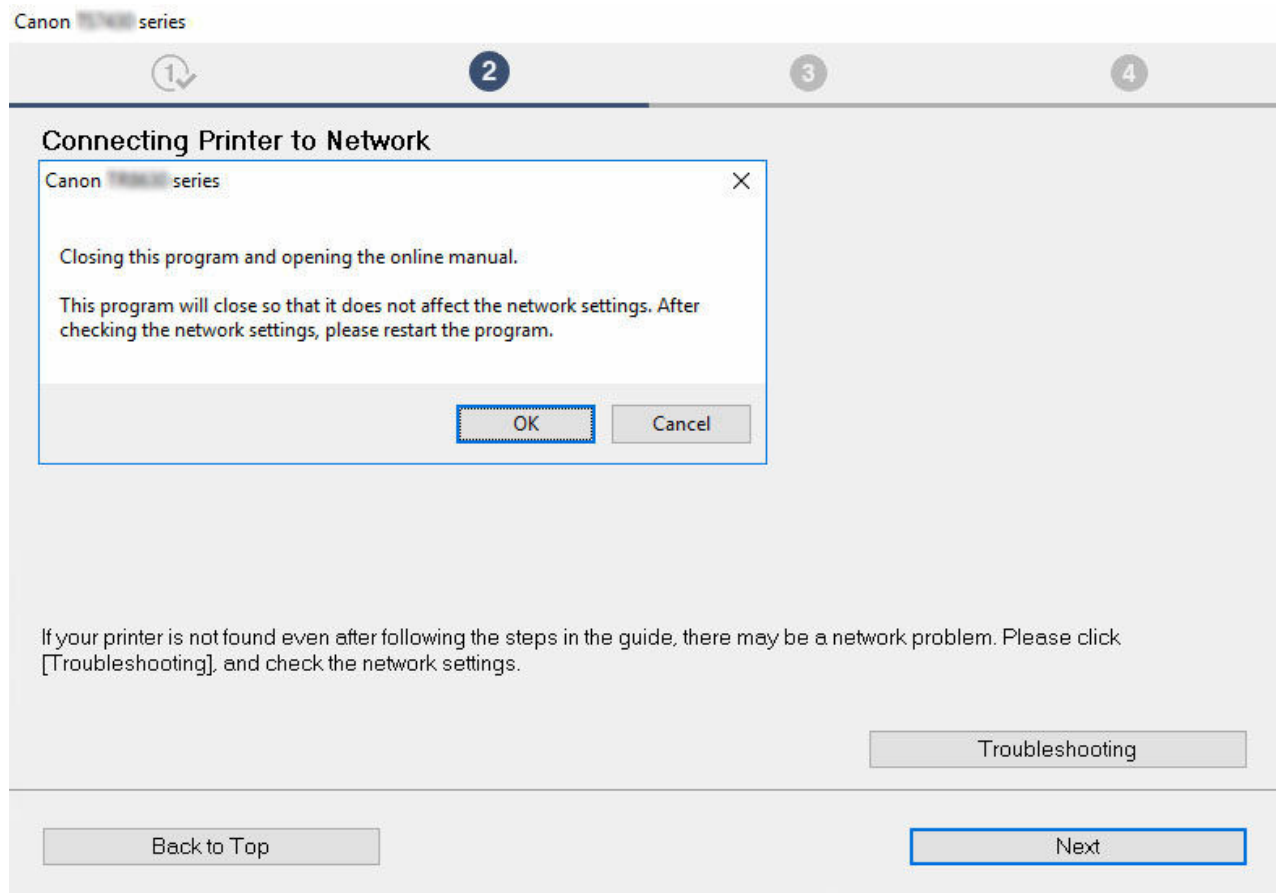
## **Cannot Find Printer on Network**

---

- **Cannot Find Printer During Setup**
- **Cannot Proceed beyond Printer Connection Screen/Connect Cable Screen**
- **Searching Printer by IP Address or Host Name During Setup**
- **Cannot Find Printer while Using Wi-Fi**
- **Cannot Find Printer while Using Wired LAN**
- **Cannot Print Using AirPrint**

## Cannot Find Printer During Setup

If you cannot find the printer on network during setup, check the following.



When you complete all the checking, try to set up from the beginning.

## Items to check for Wi-Fi

### Step 1 Check the basic items for Wi-Fi

#### 1. Check power status

Are printer and network device (router, etc.) turned on?

Stop setting up, and check if the router (modem) is turned on and then check if the printer is turned on.

##### 1. Check if network devices such as router are turned on.

If network devices are not turned on, turn on the power. If the network devices are on, turn them off and on again.

It may take a while for the network device to become ready for use once they are turned on.

Proceed once the network devices such as router are ready for use.

##### 2. Check if the printer is turned on

If printer is not turned on, turn on the power. If the printer is on, turn them off and on again.

#### 2. Check PC network connection

Can you view any web pages on your computer? Make sure the computer and network device (wireless router, etc.) are configured and the computer is connected to the network.

If you cannot view web pages on your computer, check wireless router network connection settings, such as IP address filtering, MAC address filtering, and DHCP function.

For more on checking the settings of the wireless router, refer to the instruction manual supplied with the wireless router or contact the manufacturer.

### ▶▶▶ Important

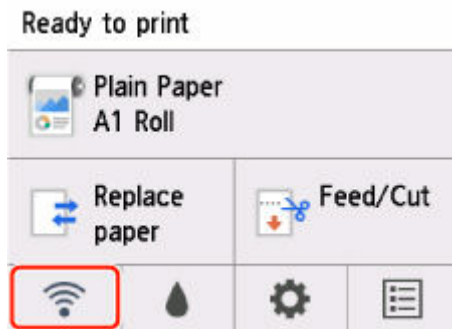
- Depending on the wireless router, note that different network name (SSID) is assigned for a bandwidth (2.4 GHz or 5 GHz) or its usage (for PC or game machine), using alphanumeric characters at the end of network name (SSID).

Once you complete checking the wireless router, configure the network settings for your computer. For the procedures, refer to the instruction manual supplied with the computer, or contact the manufacturer.

Once you complete setting up the wireless router and your computer, configure the settings on your computer in order to view web pages, using the information of the wireless router.

### 3. Check printer's Wi-Fi settings

Make sure the  or  icon is displayed on the touch screen.




#### If icon is not displayed:

The printer is not set to enable wireless communication. Change the printer settings in order to use Wi-Fi. Turn on wireless communication on the printer.



#### If icon is displayed:



 icon indicates that the wireless router and the printer are not connected. Reconsider the locations of the wireless router and the printer.

- Checking the location of wireless router:

After checking the wireless router setting, make sure the printer is not placed too far away from the wireless router. The printer can be up to 164 ft. (50 m) from the wireless router indoors if unobstructed. Make sure the printer is close enough to the wireless router to be used.

Place the printer and wireless router where there are no obstacles between them. Wireless communication between different rooms or floors is generally poor. Wireless communication can be impeded by building materials containing metal or concrete. If the printer cannot communicate with the computer over a Wi-Fi due to a wall, place the printer and the computer in the same room.

In addition, if a device like a microwave oven that emits radio waves of the same frequency bandwidth as a wireless router is nearby, it may cause interference. Place the wireless router as far away from interference sources as possible.

- Checking the location of printer:

Make sure that the printer is not placed behind an object. The printer may not be connected when placed behind a wall or on a shelf. Try to place the printer in a location where there is no obstacle.

For details, see the instruction manual supplied with the wireless router or contact the manufacturer.

## Step 2 Solve the Problem, Using IJ Network Device Setup Utility

Diagnose and repair the network connections using IJ Network Device Setup Utility.

Download IJ Network Device Setup Utility from the below page, and install it on your computer.

### ➡ Checking Printer Connection Status Using IJ Network Device Setup Utility

If you can connect to the network, try to set up from the beginning.



## Items to check for wired LAN

### Step 1 Check the basic items for wired LAN

#### 1. Check the power and LAN Cable

When the printer cannot be found on the setup screen, using wired LAN connection setup, make sure that all the network devices are connected with the router and the hub via LAN cables and that all the devices are turned on.

##### If LAN cable is not connected:

Connect the router, hub, computer and printer via LAN cables.

Make sure the printer is turned on.

Make sure the printer is turned on, and make sure that the router and the hub are turned on.

##### If LAN cable is connected, and printer and network device are off:

Turn on printer or network device.

##### If LAN cable is connected, and printer and network device are on:

If they are on, turn them off and on again.

#### ▶▶▶ Note

- It may take a while for the printer and network device to become ready for use once they are turned on again. After turning it on, wait for a while and proceed.

#### 2. Check PC network connection

Can you view any web pages on your computer? Make sure the computer and network device (router, etc.) are configured and the computer is connected to the network.

If you cannot view web pages, unplug the cable connected to the router's WAN side. Connect the cable directly to the computer to see if you can view web pages on the Internet.

Check the settings for the router if you were able to view web pages. For details on checking the settings of the router, refer to the instruction manual supplied with the router or contact the manufacturer. Refer also to the instruction manual regarding the connection of the provider.


Once you complete checking the router, configure the network settings of your computer. For the procedures, refer to the instruction manual supplied with the computer, or contact the manufacturer.

Once you complete setting up the router and your computer, configure the settings on your computer to view web pages, using the information of the router.

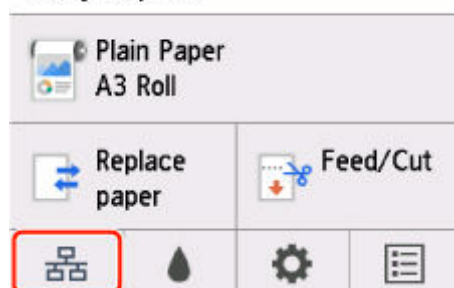
Proceed once you can view web pages on your computer.

#### 3. Check printer's wired LAN settings



Make sure the  icon is displayed on the touch screen.

#### Ready to print



##### If icon is not displayed:

The printer is not set to enable wired communication. Change the printer settings in order to use wired LAN.

When you complete checking [Step 1] above, try to set up from the beginning.

If the printer cannot be detected after trying to set up from the beginning, proceed to [Step 2].

### Step 2 Solve the Problem, Using IJ Network Device Setup Utility

Diagnose and repair the network connections using IJ Network Device Setup Utility.

Download IJ Network Device Setup Utility from the below page, and install it on your computer.

➡ [Checking Printer Connection Status Using IJ Network Device Setup Utility](#)

If you can connect to the network, try to set up from the beginning.



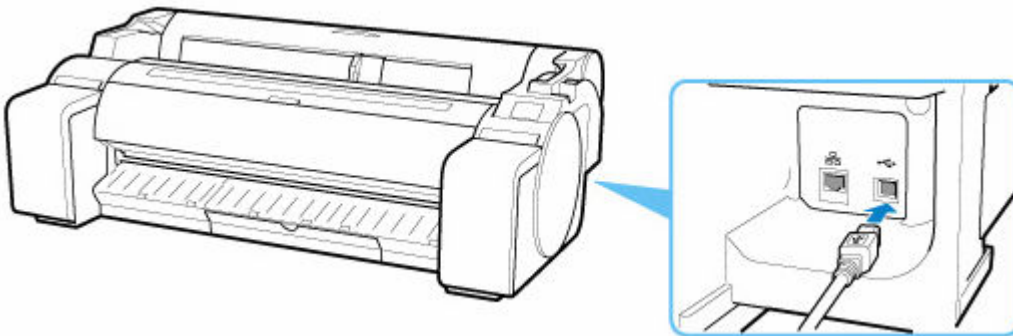
## Cannot Proceed beyond Printer Connection Screen/Connect Cable Screen



If you cannot proceed beyond the **Printer Connection** screen or the **Connect Cable** screen, check the following.

**Check 1** Make sure USB cable is securely plugged in to printer and computer.

Connect the printer and the computer using a USB cable as the illustration below. The USB port is located at the back side of the printer.




Check the items below only if you cannot proceed beyond the **Printer Connection** screen.

**Check 2** Follow procedure below to connect printer and computer again.

### ▶▶▶ Important

- For macOS, make sure the lock icon is on the lower left of the **Printers & Scanners** screen.



If the  icon (locked) is displayed, click the icon to unlock. (The administrator name and the password are necessary to unlock.)

1. Turn off printer.
2. Unplug USB cable from printer and computer and connect it again.
3. Turn on printer.

**Check 3** If you cannot resolve problem, follow procedure below to reinstall printer driver.

1. Exit setup.

2. Turn off printer.
3. Restart computer.
4. Make sure you have no application software running.
5. Click here and perform setup.

**▶▶ Note**

- You can use the Setup CD-ROM to redo setup.

## Searching Printer by IP Address or Host Name During Setup

If the printer cannot be found on the **Select Printer** screen, search for the printer by an IP address or host name. Click **Search By IP Address** on the screen which appears by clicking **Printer Not Found**. The screen to select searching criteria appears.

### 1. Check printer's IP address or host name.

To check the printer's IP Address or host name, print out the network settings information or use the touch screen to display it.

- Display on the touch screen.

➔ [LAN settings](#)

- Print the network settings.

➔ [Printing Network Settings](#)

### ▶▶▶ Note

- If you use the printer in an office, ask the network administrator.

### 2. Specify searching method.

Select one of the methods below.

The screenshot shows the 'Printer Search Method Selection' screen. It has a progress indicator at the top with steps 1, 2, 3, and 4. Step 2 is currently active. The screen contains three radio button options, each with an associated input field:

- Search by IPv4 address (labeled A)
- Search by IPv6 address (labeled B)
- Search by host name (labeled C)

Below the options, there is a note: 'To specify an IP address and run the search, you must assign an IP address to the printer beforehand. For more details, click [Online Manual].' There is an 'Online Manual' button. At the bottom, there are 'Back' and 'Next' buttons.

#### A: Search by IPv4 address

Select to search for printers by IPv4 address.

#### B: Search by IPv6 address

Select to search for printers by IPv6 address.

### C: Search by host name

Select to search for printers by host name. A host name is referred to as LLMNR host name or Bonjour name.

### 3. Enter IP address or host name and click **Next**.

Printer search starts.

## **If an error screen appears:**

Resolve the error according to the instruction on the screen.

If the IP address you entered is already used for another device, follow the procedure below to specify printer's IP address.

### 1. Select **LAN settings** on HOME screen.

➡ [Home Screen Menu Composition](#)

If you specify the administrator password, enter the password.

### 2. Select **Wi-Fi**.

### 3. Select **Settings**.

### 4. Select **Advanced**.

### 5. Select **TCP/IP settings**.

#### • If you specify IPv4 address:

#### 1. Select **IPv4**.

#### 2. Select **Yes** on the displayed screen.

#### 3. Select **IP address**.

#### 4. Select **Manual setup**.

Selecting **Auto setup** specifies the IP address automatically.

#### 5. Enter IP address.

#### 6. Select **OK**.

#### 7. Enter subnet mask.

#### 8. Select **OK**.

#### 9. Enter default gateway.

**10. Select OK.**

The IPv4 address has been specified.

- **If you specify IPv6 address:**

- 1. Select IPv6.**

- 2. Select Yes** on the displayed screen.

- 3. Select Enable/disable IPv6.**

- 4. Select Enable.**

The IPv6 address has been specified.

**»» Important**

- If firewall is enabled on the computer, printers on a different subnet may not be detected. Disable firewall.

**If firewall interferes with printer search:**

- **If a firewall message appears:**

If a firewall message appears warning that Canon software is attempting to access the network, set the security software to allow access.

After allowing the software to access, specify the IP address or host name and search for printers again.

If the printer is found, follow the instructions on the screen to continue to set up the network communication.

- **If no firewall message appears:**

Temporarily disable the firewall and specify the IP address or host name to search for printers again.

After the setup is complete, re-enable the firewall.

**»» Note**

- For more on firewall settings of your operating system or security software, see instruction manual or contact its manufacturer.



## Cannot Find Printer while Using Wi-Fi






### Check 1 Make sure printer is turned on.

If not, make sure the printer is securely plugged in and press **ON** button to turn on.

The **ON** lamp flashes while the printer is initializing. Wait until the **ON** lamp stops flashing and remains lit.


### Check 2 Check the network status on the touch screen.



If the   icon is displayed, or only the  icon is displayed, Wi-Fi is disabled.

Set **Enable/disable Wi-Fi** in the touch screen menu to **Enable**.



If the  icon is displayed, see Check 3 or later checking items to make sure whether printer setup is complete or the settings of wireless router to connect are correct.

### Check 3 Make sure printer setup is complete on the computer.

If it is not, perform setup.

- For Windows:  
Perform setup using the Setup CD-ROM or from Setup Guide.
- For macOS:  
Perform setup from Setup Guide.

### ▶▶▶ Note

- IJ Network Device Setup Utility allows you to diagnose and repair the network status. Download it from the web page.
  - ➔ For Windows
  - ➔ For macOS

### Check 4 Make sure printer and wireless router network settings match.

Make sure the network settings of the printer (e.g. wireless router name, SSID, network key, etc.) are identical with those of the wireless router.

To check the settings of the wireless router, refer to the instruction manual provided with it or contact its manufacturer.

### ▶▶▶ Note

- Use 2.4 GHz frequency band to connect to a wireless router. Match the SSID set for the printer with that for 2.4 GHz frequency band of the wireless router.



To check the SSID set for the printer, print out the network setting information or use the operation panel to display it.

- Display on the touch screen.

➔ [LAN settings](#)

- Print the network settings.

➔ [Printing Network Settings](#)

### ▶▶▶ Note

- IJ Network Device Setup Utility allows you to diagnose and repair the network status.

Select the link below to download IJ Network Device Setup Utility and install it.

➔ [Checking Printer Connection Status Using IJ Network Device Setup Utility](#)

### Check 5 Make sure the printer is not placed too far away from the wireless router.

If the distance between the printer and wireless router is too far, wireless communication becomes poor. Place the printer and wireless router close to each other.

### ▶▶▶ Note

- Though an antenna is attached to most wireless routers, note that some of them have it inside.

### Check 6 Make sure wireless signal is strong. Monitor signal strength and move printer and wireless router as necessary.

Place the printer and wireless router where there are no obstacles between them. Wireless communication between different rooms or floors is generally poor. Wireless communication can be impeded by building materials containing metal or concrete. If the printer cannot communicate with the computer over a Wi-Fi due to a wall, place the printer and the computer in the same room.

In addition, if a device like a microwave oven that emits radio waves of the same frequency bandwidth as a wireless router is nearby, it may cause interference. Place the wireless router as far away from interference sources as possible.

### ▶▶▶ Note

- IJ Network Device Setup Utility allows you to diagnose and repair the network status.

Select the link below to download IJ Network Device Setup Utility and install it.

➔ [Checking Printer Connection Status Using IJ Network Device Setup Utility](#)

### Check 7 Make sure the computer is connected to the wireless router.

For more on how to check the computer settings or connection status, see your computer instruction manual or contact its manufacturer.

### ▶▶▶ Note

- If you use a smartphone or tablet, make sure the Wi-Fi is enabled on the device.

### Check 8 Make sure **Enable bidirectional support** is selected in the **Ports** sheet of the properties dialog box of the printer driver. (Windows)

If not, select it to enable bidirectional support.

**Check 9** Make sure security software's firewall is off.

If your security software's firewall is on, a message may appear warning you that Canon software is attempting to access the network. If this warning message appears, set security software to always allow access.

If you are using any programs that switch between network environments, check their settings.

**Check 10** If printer is connected to an AirPort Base Station via LAN, make sure you use alphanumeric characters for network identifier (SSID). (macOS)

**If the problem is not resolved, redo setup.**

- For Windows:  
Perform setup using the Setup CD-ROM or from Setup Guide.
- For macOS:  
Perform setup from Setup Guide.



## Cannot Find Printer while Using Wired LAN

---



**Check 1** Make sure printer is turned on.

If not, make sure the printer is securely plugged in and press **ON** button to turn on.

The **ON** lamp flashes while the printer is initializing. Wait until the **ON** lamp stops flashing and remains lit.

**Check 2** Make sure LAN cable is connected properly.

Make sure the printer is connected to the router with the LAN cable. If the LAN cable is loose, connect the cable properly.

If the LAN cable is connected to the WAN side of the router, connect the cable to the LAN side of the router.



**Check 3** Is  icon displayed on touch screen?

If the icon is not displayed, wired LAN is disabled.

If not, select **LAN settings > Wired LAN > Settings**, and then select **Enable** for **Enable/disable Wired LAN**.



## Cannot Print Using AirPrint

---



**Check 1** Make sure printer is turned on.

If the printer is turned on, turn it off and back on, and then check whether the issue is resolved.

**Check 2** Make sure printer is registered to your computer.

**Check 3** Make sure printer is connected by LAN to same network subnet as AirPrint compliant device when printing over LAN.

**Check 4** Make sure printer has enough paper and ink.

**Check 5** Make sure no error message is displayed on printer's touch screen.

## **Installation Problems**

---

- **Removing Printer Software**
- **Taking Time to Setup Process (Windows)**
- **Failed to Printer Driver Installation (Windows)**



## Removing Printer Software

---



Follow the steps below to remove utility software installed on the computer.

### ▶▶▶ Important

- You must log in as an administrator or have administrator permissions.

### ▶▶▶ Note

- See the pages below for how to remove printer drivers.
  - ➔ Deleting the Unnecessary Printer Driver (Windows)
  - ➔ [Delete the Unnecessary Canon IJ Printer from the Printer List](#) (macOS)

## Removing the IJ Network Device Setup Utility (Windows)

Follow the steps below to remove the IJ Network Device Setup Utility.

- Windows 10

1. Click **start**, select **Windows System**, and then select **Control Panel**.
2. Under **Programs**, select **Programs and Features**, select IJ Network Device Setup Utility from the list of programs, and then click **Uninstall**.

- Windows 8.1

1. Use the **Settings** charm on the desktop to open the **Control Panel**.
2. Under **Programs**, select **Programs and Features**, select IJ Network Device Setup Utility from the list of programs, and then click the **Uninstall** button.

- Windows 7

1. Select **Control Panel** from the **start** menu.
2. Select **Uninstall a program**.
3. Select IJ Network Device Setup Utility, and then click the **Uninstall** button.

### ▶▶▶ Note

- If the **User Account Control** dialog box is displayed, click **Yes**.

## Removing the IJ Network Device Setup Utility (macOS)

Follow the steps below to remove the IJ Network Device Setup Utility.

1. Select **Applications** from **Go** menu of Finder, double-click **Canon Utilities > IJ Network Device Setup Utility**, and then drag **Canon IJ Network Device Setup Utility** icon into **Trash**.
2. Restart computer.  
Empty the **Trash** and restart your computer.

### ▶▶ Note

- To reinstall IJ Network Device Setup Utility, uninstall IJ Network Device Setup Utility and install it again from the Canon website.



## Taking Time to Setup Process (Windows)

---



If Windows update starts during setup, or if you perform setup while Windows update is in progress, it may take a while to register the printer or to perform other processes.

Wait for a while. This is not a malfunction.





## Failed to Printer Driver Installation (Windows)

---



- **If installation does not start when you insert Setup CD-ROM:**

Follow the instructions below to start the installation.

1. Make the following settings.

- In Windows 10, click **Start** button > **File Explorer**, and then click **This PC** from list on left.
- In Windows 8.1, select **Explorer** icon in **Taskbar** on **Desktop**, and then select **This PC** from list on left.
- In Windows 7, click **Start**, and then click **Computer**.

2. Double-click the  CD-ROM icon in the window that appears.

If the contents of the CD-ROM appear, double-click **MSETUP4.EXE**.

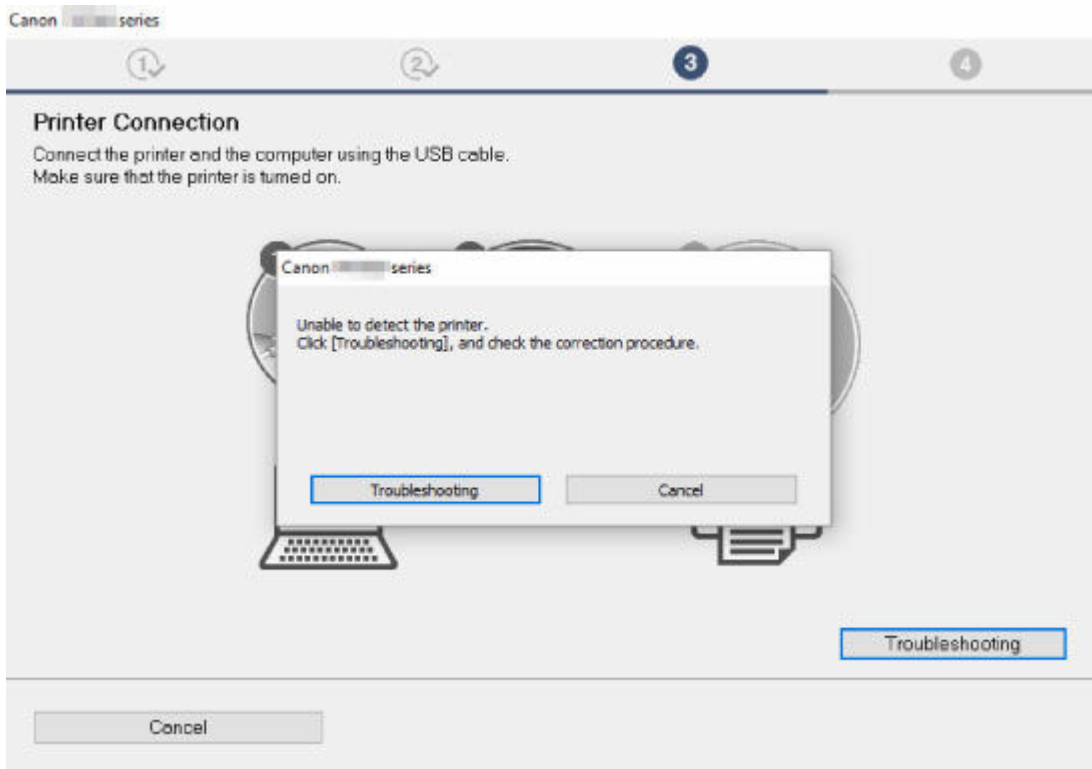
If you cannot install the printer driver with the Setup CD-ROM, install it from the Canon website.

### ▶▶▶ Note

- If the CD-ROM icon does not appear, try the following:
  - Remove the CD-ROM from your computer and reinsert it.
  - Restart your computer.

If the icon still does not appear, try a different disc and see if it appears. If it does, there is a problem with the Setup CD-ROM. Contact your nearest Canon service center to request a repair.

- **If you cannot get past the Printer Connection screen:**



➔ [Cannot Proceed beyond Printer Connection Screen/Connect Cable Screen](#)

- **Other cases:**

Reinstall the printer driver.

If the printer driver was not installed correctly, uninstall the printer driver, restart your computer, and then reinstall the printer driver.

➔ **Deleting the Unnecessary Printer Driver**

Reinstall the printer driver with the Setup CD-ROM or install it from the Canon website.

### ➔➔➔ **Note**

- If the installer was stopped due to a Windows error, Windows operation may be unstable, and you may not be able to install the drivers. Restart your computer and then reinstall the drivers.

## **Other Problems**

---

- **Printer does not turn on**
- **If the Printer Makes a Strange Sound**
- **Messages advising to check the maintenance cartridge are not cleared**
- **Printer consumes a lot of ink**
- **Ink Level Detection**
- **Media Type Selection does not Match Loaded Media Type**



## Printer does not turn on

---



**Check 1** Is the power cord plugged in?

Plug the power cord into the outlet, and then turn on the printer.

**Check 2** Is the specified voltage being supplied?

Check the voltage of the outlet and breaker.

➔ [Specifications](#)

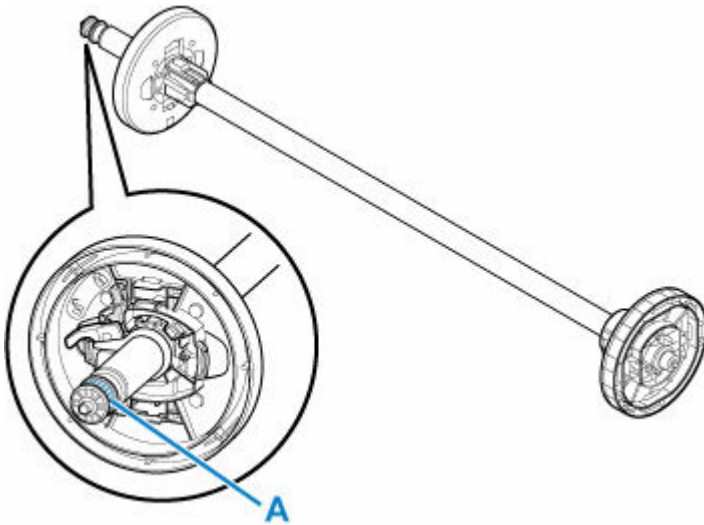


## If the Printer Makes a Strange Sound



**Check 1** Has an unusual noise been produced from the vicinity of the roll holder?

If dust accumulates on the gear (A) at the end of the roll holder, a noise may be produced from that area.



When the noise starts, clean the gear with the following procedure.

1. Remove the roll holder from the printer.
2. Wipe the dust off the gear with a damp, tightly wrung cloth, and then dry with a dry cloth.
3. Insert the roll holder in the printer.

**Check 2** Operating noise may be heard from the printer even when not printing.

The following sounds do not indicate a problem with the printer.

- A suction sound can be heard from the platen  
To prevent the paper from rising, the surface of the platen has vacuum holes that create suction on the paper.
- Roll paper makes a fluttering sound during printing.  
There may be a fluttering sound when large paper is advanced.
- You suddenly hear the sound of cleaning operations.  
Cleaning is automatically performed at specified intervals in order to keep the printer maintained.
- You suddenly hear the sound of ink agitation.

Ink is automatically agitated after specified intervals to maintain optimal print quality. Agitation takes approximately 1 minute 30 seconds.

Ink is also agitated automatically at the following times. Please note that no other operations can be performed while "Agitating the ink" is on the touch screen.

- After the printer is turned on
- After data transmission
- After ink tank replacement

In other cases, contact your Canon dealer.



## Messages advising to check the maintenance cartridge are not cleared

---



The newly replaced maintenance cartridge is not recognized.

Remove the newly replaced maintenance cartridge, and then reinsert it again firmly.

➔ [Replacing the Maintenance Cartridge](#)



## Printer consumes a lot of ink

---



### Check 1 Are lots of full-color materials being printed?

In print jobs such as photos, images are filled with color. This consumes a lot of ink. This does not indicate a problem with the printer.

### Check 2 Is **System Cleaning** being carried out frequently?

**System Cleaning** uses a lot of ink. This is normal. We recommend that you only carry out **System Cleaning** after the printer has been transported, if it has not been used for a long time, or if there is a problem with the Print head.

### Check 3 You have just finished initial installation, when more ink is consumed to fill the system.

If using the printer for the first time, or using it after transport, the ink tank will supply an initial fill of ink to the Print head.

Although the amount of remaining ink may drop as a result, it does not indicate a problem.

### Check 4 Is the Print head nozzle blocked?

Check for nozzle clogging.

➔ [Checking for Nozzle Clogging](#)





## Ink Level Detection

---



The printer ink tank detects the amount of ink remaining to prevent running out of ink while printing and to avoid printer failure.

➔ [Ink Tanks](#)

When using an ink tank refilled with ink, the function for detecting the remaining ink level may not operate properly and printing may stop. If you want to use an ink tank refilled with ink, you need to disable the function for detecting the remaining ink level.

### »»» Important

- Printing with the ink level detection canceled may lead to printer damage and printing problems. Canon Inc. is not liable for any damage that may occur as a result of refilling ink.
- Once the function for detecting the remaining ink level is disabled, it cannot be restored for that ink tank. To restore the function for detecting the remaining ink level, replace the ink tank with a new ink tank for that printer.
- Repeatedly removing and inserting the same ink tank can cause the contacts between the ink tank and printer to malfunction, ink may leak from the ink tank, and the printer may become damaged.

## Releasing ink level detection

Ink level detection will be deactivated if you load ink tanks once emptied.

If "The above ink tank may be an ink tank that ran out of genuine Canon ink or a counterfeit Canon ink tank." appears on the touch screen, follow the steps below.

1. Move through the screens, performing the actions described in the messages that appear on the touch screen.
2. If an instruction to disable detection of remaining ink appears, touch **Stop** on the printer for at least 5 seconds, and then release it.

Ink level detection is now released.



## Media Type Selection does not Match Loaded Media Type

---



### Check 1 Is this paper being used for the first time?

If this is the first time to use the paper, it may not be selected correctly. In the media type selection, manually select the correct paper type.

### Check 2 Is the paper you set genuine paper or recommended paper?

If you want to use a paper that is not in the paper information list, register the media type in the Media Configuration Tool.

- ➔ Paper Information List
- ➔ Media Configuration Tool Guide

### Check 3 Is there any unevenness in the gloss and color of the paper surface?

Some media types may not be suitable for paper type estimation. If the paper type is not recognized correctly, manually select the correct paper in the media type selection.

# List of Support Code for Error

---

Support codes appear on the PC when an error occurs.

Support codes are error identification numbers that appear alongside error messages.

If an error occurs, check the support code and follow the recommended steps to resolve the issue.

## Support code displayed

- **1000 to 1ZZZ**

[1005](#) [100A](#) [1012](#) [1021](#) [1024](#) [1041](#)

[1051](#) [1052](#) [1054](#) [1056](#) [1057](#) [1058](#)

[1061](#) [1200](#) [1201](#) [1210](#) [1213](#) [1214](#)

[1300](#) [1306](#) [1317](#) [1322](#) [1323](#) [1324](#)

[1401](#) [1403](#) [1408](#) [1409](#) [140A](#) [140B](#)

[140C](#) [140F](#) [1468](#) [1477](#) [1478](#) [1480](#)

[1481](#) [1485](#) [1492](#) [1494](#) [1495](#) [1500](#)

[1551](#) [1552](#) [1570](#) [1571](#) [1660](#) [168B](#)

[1720](#) [1721](#) [1722](#) [1730](#) [1731](#) [1752](#)

[1753](#) [1756](#) [1757](#)

- **2000 to 2ZZZ**

[2001](#) [2002](#) [2130](#) [2131](#) [2132](#)

- **3000 to 3ZZZ**

[3000](#) [3001](#) [3200](#) [3201](#) [3250](#) [3306](#)

[3311](#) [3312](#) [3313](#) [3314](#) [3315](#) [3316](#)

[3317](#) [3331](#) [3332](#) [3333](#) [3336](#) [3338](#)

[3341](#) [3342](#) [3350](#) [3351](#) [3352](#) [3414](#)

[3415](#) [3416](#) [3417](#) [3418](#) [3419](#) [3420](#)

[3421](#) [3422](#) [3423](#) [3424](#) [3448](#) [3451](#)

- **4000 to 4ZZZ**

[4111](#) [4113](#) [4114](#) [4116](#) [4117](#) [4122](#)

[4801](#) [4803](#) [4900](#) [4901](#) [4903](#) [4905](#)

[4910](#) [4911](#) [4913](#) [4920](#) [4931](#) [4932](#)

[4933](#) [4934](#) [4935](#) [4937](#) [4950](#) [4951](#)

[4952](#) [4953](#) [4954](#) [4955](#) [4956](#)

• **5000 to 5ZZZ**

[5106](#) [5200](#) [5B16](#) [5B20](#) [5B21](#) [5C00](#)

• **6000 to 6ZZZ**

[6502](#) [6700](#) [6702](#) [6820](#) [6900](#) [6901](#)

[6902](#) [6910](#) [6911](#) [6920](#) [6921](#) [6930](#)

[6931](#) [6932](#) [6933](#) [6940](#) [6941](#) [6942](#)

[6943](#) [6944](#) [6945](#) [6946](#)

• **7000 to 7ZZZ**

[7050](#) [7051](#) [7052](#)

• **8000 to 8ZZZ**

[8200](#)

• **9000 to 9ZZZ**

[9000](#) [9110](#)

• **A000 to ZZZZ**

[B20A](#) [B510](#)

## 1005

---

### Cause

You have attempted to print on a sheet, but no sheet is loaded.

### What to Do

Check the media size and type for the print job on the touch screen, and then tap **OK**.

- **Continuing to print**

Tap **Load paper**, and then load the paper.

➔ [Loading and Printing on Sheets](#)

- **Stopping printing**

To stop printing, tap **Cancel** on the touch screen or press the **Stop** button.

## 100A

---

### Cause

You have attempted to print on a roll, but no roll is loaded.

### What to Do

Tap **Load paper** on the touch screen, and then load the paper roll and print.

➔ [Loading Rolls in the Printer](#)

### ▶▶ Note

- To stop printing, tap **Cancel** on the touch screen or press the **Stop** button.

## 1012

---

### Cause

You have attempted to print on a sheet, but no sheet is loaded.

### What to Do

Tap **Load paper** on the touch screen, and then load cut paper and print.

➔ [Loading and Printing on Sheets](#)

### ▶▶ Note

- To stop printing, tap **Cancel** on the touch screen or press the **Stop** button.

## Cause

The printer has received a print job longer than the amount of roll paper left.

## What to Do

- **Continuing to print**

To continue printing, tap **Print with the loaded paper.** on the touch screen.

However, the roll paper may run out during the print job and you may not be able to print all of the document.

- **Replacing paper**

Tap **Replace the paper and print** and print on the touch screen.

Change the **Paper Source** in the printer driver, or replace the paper with paper of the right length for the print job, and then try again.

➔ [Removing the Roll from the Printer](#)

➔ [Loading Rolls in the Printer](#)

- **Stopping printing**

To stop printing, tap **Cancel** on the touch screen or press the **Stop** button.



## Cause

Possible causes include the following.

- Roll paper is empty.
- There is remaining roll paper, but because it could not be advanced, it could not be detected.

## What to Do

### • The roll paper has run out

Follow the steps below to replace the used roll with a new roll of the same type and size.

1. Tip back the release lever and remove the roll paper.

➔ [Removing the Roll from the Printer](#)

2. Load the new roll.

➔ [Loading Rolls in the Printer](#)

3. If "**There is a job which has not been printed yet. Do you want to print this job?**" appears on the touch screen, tap **Yes**.

Printing will resume, starting from the page on which the error occurred.

### • Feed stopped because the end of the paper roll is attached to the core with tape

Remove the used roll paper and insert a new roll paper.

➔ [Removing the Roll from the Printer](#)

➔ [Loading and Printing on Rolls](#)

### • Feed stopped because the remaining paper roll is too heavy

It may be helpful to change the printing mode, which will change the paper feed timing.

If using Windows, select a higher **Print Quality** setting under **Advanced Settings** in the printer driver.

If using macOS, select **Quality & Media** in the printer driver, and then select a higher **Print Quality** setting.

➔ [Setting the Print Quality Level \(Custom\) \(Windows\)](#)

➔ [Setting the Print Quality Level \(Custom\) \(macOS\)](#)

## ▶▶▶ Note

- To stop printing, press the **Stop** button.

## 1041

---

### Cause

You have selected wrong paper source for **Replace paper**.

### What to Do

Match the paper source for loading paper with the paper source setting for **Replace paper**.

For the roll paper, select **Roll paper** and load it.

For the cut sheet, select **Cut sheet** and load it.

## 1051

---

### Cause

The media type specified in the printer driver is not the same as the media type loaded in the printer.

### What to Do

You can continue to print, but note that this error may cause problems in the printing results.

## 1052

---

### Cause

The width of the roll paper set in **Fit Roll Paper Width** in the printer driver is not the same as the width of the roll paper loaded in the printer.

### What to Do

You can continue to print, but note that this error may cause problems in the printing results.

## 1054

---

### Cause

The paper in the printer is smaller than the paper size set in the printer driver.

### What to Do

You can continue to print, but note that this error may cause problems in the printing results.

## 1056

---

### Cause

The paper position is not suitable for borderless printing.

### What to Do

You can continue to print, but note that this error may cause problems in the printing results.

**1057**

---

**Cause**

The paper position is not suitable for borderless printing.

**What to Do**

You can continue to print, but note that this error may cause problems in the printing results.

## 1058

---

### Cause

Roll paper has almost run out.

### What to Do

Printing will continue. Replace the roll paper in the printer with one that has enough paper for printing as soon as possible.

➔ [Removing the Roll from the Printer](#)

➔ [Loading Rolls in the Printer](#)

### ➤➤ Note

- To stop printing, press the **Stop** button.



## Cause

The media type specified in the print job is not the same as the media type loaded in the printer.

## What to Do

Tap **OK** on the touch screen to go to the next screen.

Check the displayed media type and size, and tap **OK**.

- **Printing again according to the media type**

Follow the steps below to match the media type in the print job and the media type loaded in the printer.

- **Changing the media type in the print job**

1. Tap **Cancel** to stop printing.
2. Change the media type in the print job settings to the media type loaded in the printer, and then try again.

- ➡ [Loading and Printing on Rolls](#)
- ➡ [Loading and Printing on Sheets](#)

- **Replacing paper**

1. Tap **Replace the paper and print**.
2. Load the paper with the media type specified in the print job, and then try again.

- ➡ [Loading and Printing on Rolls](#)
- ➡ [Loading and Printing on Sheets](#)

- **Printing with the current print settings**

To continue printing, tap **Print with the loaded paper** on the touch screen.

However, note that this error may cause paper jams and affect the printing quality.

## 1200

---

### Cause

Top cover or print head lock lever is open.

### What to Do

Open the top cover and make sure the print head lock lever is closed properly.

Make sure there are no foreign objects caught in the top cover, and then close the top cover.

If this error appears again, close the top cover, turn the power off, wait a moment, and then turn the power back on.

### ▶▶ Note

- If installing a print head, close the top cover after finishing.

## 1201

---

### Cause

The ink tank cover is open.

### What to Do

Close the ink tank cover.

## 1210

---

### Cause

The ink tank cover is open.

### What to Do

Close the ink tank cover.

## 1213

---

### Cause

Release lever is released.

### What to Do

Pull the release lever toward the front.

If the error occurs again, turn off the printer and wait a while before restoring power.

## 1214

---

### Cause

While the printer was printing or performing maintenance, the release lever was released.

### What to Do

Turn off the power, wait a moment, and then turn it back on.

If the error appears again, make a note of the detailed error code (ECxx-xxxx) that appears on the touch screen, and then turn off the power and contact a Canon customer service center.

### Detailed error codes

EC19-2F21

## Cause

Paper jammed inside the printer while printing.

## What to Do

Follow the steps below to remove jammed paper.

1. Tip back the release lever and remove the jammed paper.

- ➡ [Remove Jammed Roll Paper](#)

- ➡ [Remove a Jammed Sheet](#)

2. Load the paper.

- ➡ [Loading Rolls in the Printer](#)

- ➡ [Loading Sheets in the Printer](#)

3. If **"There is a job which has not been printed yet. Do you want to print this job?"** appears on the touch screen, tap **Yes**.

Printing will resume, starting from the page on which the error occurred.

If the error appears again, the printer may be damaged. Contact a Canon customer service center.

## 1306

---

### Cause

A print job for rolls was received when a sheet is loaded.

### What to Do

Follow these steps to load and print on a roll.

1. To remove the cut paper, tap **Remove paper** on the touch screen.

➔ [Removing Sheets](#)

2. Load a new roll.

➔ [Loading Rolls in the Printer](#)

### ▶▶▶ Note

- To stop printing, tap **Cancel** on the touch screen or press the **Stop** button.



## Cause

Paper loaded crooked was detected when the paper was advanced.

## What to Do

Tip back the release lever and reload the paper.

- ➔ [Loading Rolls in the Printer](#)
- ➔ [Loading Sheets in the Printer](#)

If this error appears again even after reloading the paper roll, remove the roll holder from the printer, insert the paper roll firmly into the roll holder until it is up against the flange, and then insert the roll holder into the printer.

- ➔ [Loading Rolls on the Roll Holder](#)

## ▶▶ Important

- If this message continues to appear even after taking the steps above, or if you do not want this message to appear, set **Skew detection accuracy** in the printer menu to **OFF** or **Loose**. However, note that the paper will be printed skewed, which could cause paper jams and abnormal print results, or dirty the platen and the reverse of the next printed sheet.

## Cause

Cannot detect paper size because paper is not in the correct position or because curled paper has been loaded.

## What to Do

Tip back the release lever and remove any paper. Then check the paper and reload it.

➔ [Loading Rolls in the Printer](#)

➔ [Loading Sheets in the Printer](#)

If "**There is a job which has not been printed yet. Do you want to print this job?**" appears on the touch screen, tap **Yes**.

Printing will resume, starting from the page on which the error occurred.

## ➤➤ Note

- If this error appears again even after reloading the paper roll, remove the roll holder from the printer, insert the paper roll firmly into the roll holder until it is up against the flange, and then insert the roll holder into the printer.
  - ➔ [Loading Rolls on the Roll Holder](#)
- This error might also appear if the platen has been dirtied by ink or another substance, or if the size of clear film could not be detected. In this case, open the top cover and clean the entire platen area.
  - ➔ [Cleaning Inside the Top Cover](#)

## 1323

---

### Cause

An unsuitable paper size has been loaded.

### What to Do

Tip back the release lever, remove any paper, and then reload paper of suitable size.

➔ [Paper Sizes](#)

### ➤➤ Note

- Load unused A4/letter size or larger paper if printing calibration and nozzle check patterns. Each calibration may take several sheets of paper.

## Cause

A print job for printing on sheets was sent when a roll is loaded.

## What to Do

Follow the steps below to print again.

1. Tap **Remove paper** on the touch screen to stop printing.
2. Remove the paper roll, load cut paper of the size and type specified in the printer driver, and then try again.
  - ➔ [Removing the Roll from the Printer](#)
  - ➔ [Loading and Printing on Sheets](#)

## ▶▶ Note

- To stop printing, tap **Cancel** on the touch screen or press the **Stop** button.

## 1401

---

### Cause

Failed to recognize print head.

### What to Do

Open the top cover and reattach the print head.

➔ [Replacing the Print Head](#)

## 1403

---

### Cause

There is a problem with the print head.

### What to Do

Tap **OK** on the touch screen, and then replace the current print head with a new one.

➔ [Replacing the Print Head](#)

If you do not have a replacement print head ready, turn off the power and replace the print head once you have the new one.

## 1408

---

### Cause

There is a problem with the print head.

### What to Do

Tap **OK** on the touch screen, and then replace the current print head with a new one.

➔ [Replacing the Print Head](#)

If you do not have a replacement print head ready, turn off the power and replace the print head once you have the new one.

## 1409

---

### Cause

There is a problem with the print head.

### What to Do

Tap **OK** on the touch screen, and then replace the current print head with a new one.

➔ [Replacing the Print Head](#)

If you do not have a replacement print head ready, turn off the power and replace the print head once you have the new one.



## 140A

---

### Cause

There is a problem with the print head.

### What to Do

Tap **OK** on the touch screen, and then replace the current print head with a new one.

➔ [Replacing the Print Head](#)

If you do not have a replacement print head ready, turn off the power and replace the print head once you have the new one.

## 140B

---

### Cause

Failed to recognize print head.

### What to Do

Open the top cover and reattach the print head.

➔ [Replacing the Print Head](#)

## 140C

---

### Cause

There is a problem with the print head.

### What to Do

Turn off the power, wait a moment, and then turn it back on.

## 140F

---

### Cause

There is a problem with the print head.

### What to Do

Tap **OK** on the touch screen, and then replace the current print head with a new one.

➔ [Replacing the Print Head](#)

If you do not have a replacement print head ready, turn off the power and replace the print head once you have the new one.

## 1468

---

### Cause

A printer error has occurred.

### What to Do

Turn off the power, wait a moment, and then turn it back on.

If the error appears again, make a note of the detailed error code (ECxx-xxxx) that appears on the touch screen, and then turn off the power and contact a Canon customer service center.

### Detailed error codes

EC55-2F24

**1477**

---

### **Cause**

There is a problem with the print head.

### **What to Do**

Open the top cover and replace the print head with a new one.

➔ [Replacing the Print Head](#)

**1478**

---

### **Cause**

There is a problem with the print head.

### **What to Do**

Tap **OK** on the touch screen, and then replace the current print head with a new one.

➔ [Replacing the Print Head](#)

If you do not have a replacement print head ready, turn off the power and replace the print head once you have the new one.

**1480**

---

### **Cause**

The attached print head was previously used in a different model.

### **What to Do**

Attach the correct print head.

➔ [Replacing the Print Head](#)



**1481**

---

**Cause**

The attached print head was previously used in a model that uses a different ink set.

**What to Do**

Attach the correct print head.

➔ [Replacing the Print Head](#)

**1485**

---

**Cause**

Cannot use attached print head.

**What to Do**

Attach the correct print head.

➔ [Replacing the Print Head](#)

## 1492

---

### Cause

A printer error has occurred.

### What to Do

Turn off the power, wait a moment, and then turn it back on.

If the error appears again, make a note of the detailed error code (ECxx-xxxx) that appears on the touch screen, and then turn off the power and contact a Canon customer service center.

### Detailed error codes

EC02-2F42 EC21-2F44 EC3F-2F40 EC3F-2F41

## 1494

---

### Cause

There may be a problem with the print head.

### What to Do

Turn off the power, wait a moment, and then turn it back on.

If the error appears again, remove and reattach the print head.

➔ [Replacing the Print Head](#)

If that does not get rid of the error, replace the print head with a new one.

## Cause

The print head nozzle is blocked.

## What to Do

Follow the steps below to clean the print head.

1. Tap **Cancel** on the touch screen to stop printing.
2. Clean the print head.

➡ [Cleaning the Print Head](#)

If this message still appears when printing, replace the print head.

➡ [Replacing the Print Head](#)

## ▶▶ Important

- To continue printing, use the touch screen and tap **Continue printing**. However, the print results may not be satisfactory.

**1500**

---

**Cause**

The ink in the ink tank is running low.

**What to Do**

Prepare a new ink tank.

## 1551

---

### Cause

A genuine Canon ink tank with a history of past use has been detected.

### What to Do

To dismiss the message, tap **OK** on the touch screen.

## 1552

---

### Cause

A genuine Canon ink tank has been inserted.

### What to Do

To dismiss the message, tap **OK** on the touch screen.



## 1570

---

### Cause

The ink in the ink tank has run out.

### What to Do

Open the ink tank cover, and then replace the ink tank before the ink in the sub-ink tank of this printer becomes insufficient.

➔ [Replacing Ink Tanks](#)

### ▶▶ Note

- You can replace the ink tank even while printing.

**1571**

---

**Cause**

Ink tank removed during printing.

**What to Do**

If replacing the ink tank, insert a new ink tank.

➔ [Replacing Ink Tanks](#)

## 1660

---

### Cause

Ink tank not inserted.

### What to Do

Insert the ink tank correctly.

➔ [Replacing Ink Tanks](#)

## 168B

---

### Cause

The ink tank cannot be recognized.

Printing cannot be executed because the ink tank may not be compatible with this printer.

### What to Do

Install the appropriate ink tank.

## 1720

---

### Cause

The maintenance cartridge is full.

It needs to be replaced.

### What to Do

Replace the maintenance cartridge.

➔ [Replacing the Maintenance Cartridge](#)

## 1721

---

### Cause

The maintenance cartridge is not installed.

### What to Do

Install the maintenance cartridge.

➔ [Replacing the Maintenance Cartridge](#)

## 1722

---

### Cause

Incorrect type of maintenance cartridge.

### What to Do

Insert the correct maintenance cartridge.

➔ [Replacing the Maintenance Cartridge](#)

If this error continues to appear, contact a Canon customer service center.

## Cause

The ink tank may be an ink tank that ran out of genuine Canon ink or a counterfeit Canon ink tank.

## What to Do

To print, you must replace the ink tank or disable the function for detecting the remaining ink level.

➔ [Replacing Ink Tanks](#)

To disable the function for detecting the remaining ink level, press and hold the printer's **Stop** button for at least 5 seconds, and then release it.

By this operation, the fact that you have disabled the function for detecting the remaining ink level will be memorized. Please be advised that Canon shall not be liable for any malfunction or trouble caused by continuation of printing under the ink out condition or by using refilled ink tanks.

### ▶▶▶ Note

- If the function for detecting the remaining ink level is disabled, the ink tank in gray is displayed on the touch screen when checking the current ink level.

To report the counterfeit ink tank, access Canon website from the following link.

➔ [Report Counterfeit](#)



## Cause

Non-genuine Canon ink tank has been detected.

## What to Do

To print, you must replace the ink tank or disable the function for detecting the remaining ink level.

➔ [Replacing Ink Tanks](#)

To disable the function for detecting the remaining ink level, press and hold the printer's **Stop** button for at least 5 seconds, and then release it.

By this operation, the fact that you have disabled the function for detecting the remaining ink level will be memorized. Please be advised that Canon shall not be liable for any malfunction or trouble caused by using a non-genuine Canon ink tank.

### ▶▶▶ Note

- If the function for detecting the remaining ink level is disabled, the ink tank in gray is displayed on the touch screen when checking the current ink level.

To report the counterfeit ink tank, access Canon website from the following link.

➔ [Report Counterfeit](#)

**1752**

---

**Cause**

The ink has run out.

**What to Do**

Open the ink tank cover, and then replace the ink tank.

➔ [Replacing Ink Tanks](#)

### Cause

The remaining level of the ink cannot be correctly detected.

### What to Do

Replace the ink tank. Printing will restart.

➔ [Replacing Ink Tanks](#)

An ink tank that was once empty is installed.

If you want to continue printing, you need to disable the function for detecting the remaining ink level.

To disable this function, press and hold the printer's **Stop** button for at least 5 seconds, and then release it.

With this operation, disabling the function for detecting the remaining ink level is memorized.

Please be advised that Canon shall not be liable for any malfunction or trouble caused by continuation of printing under the ink out condition or by using refilled ink tanks.

**1756**

---

**Cause**

The ink may become insufficient.

**What to Do**

To perform the next process or to continue the specified process, replace the ink tank.

➔ [Replacing Ink Tanks](#)

**1757**

---

### **Cause**

Cannot fill sub ink tank.

### **What to Do**

Check the touch screen, remove the ink tank for the affected color, and then reinsert it.

If the inserted ink tank is empty, replace it with a new ink tank.

➔ [Replacing Ink Tanks](#)

## 2001

---

### Cause

An incompatible device is connected.

### What to Do

Check the device connected to the USB flash drive port.

Only USB flash drive can be connected to this device for direct printing.

## 2002

---

### Cause

An incompatible USB hub is connected.

### What to Do

If USB flash drive is connected to this device through a USB hub, remove the USB hub.

Connect the USB flash drive directly to this device.

## Cause

The roll paper width set in the print job is not the same as the width of the roll paper in the printer.

## What to Do

Tap **OK** on the touch screen to go to the next screen.

Check the media type and size that appear and tap **OK**.

- **Stopping printing**

Tap **Cancel** on the touch screen or press the **Stop** button.

- **Replacing the roll paper**

Follow the steps below to replace the paper with roll paper of the width set in the printer driver.

1. Tap **Replace the paper and print**, then remove the roll paper.

➔ [Removing the Roll from the Printer](#)

2. Replace the paper with paper of the width set in the printer driver.

➔ [Loading Rolls in the Printer](#)

Printing begins.

- **Printing without changes**

Tap **Print with the loaded paper..**

However, note that this error may cause paper jams and affect the printing quality.

### ▶▶▶ Note

- To change print settings in Windows, select **Fit Roll Paper Width** in the printer driver and set the roll paper width in the dialog box that appears.
- To change print settings in macOS, open the printer driver and select **Fit Roll Paper Width**, and then set the roll paper width in that panel to the width of the paper loaded in the printer.
- To suppress this message, set **Detect paper setting mismatch** in the touch screen menu to **Do not detect**. However, note that this error may affect the printing quality.

➔ [Menu Structure](#)



## Cause

The roll paper loaded in the printer is narrower than the roll paper width in the print job.

## What to Do

Tap **OK** on the touch screen to go to the next screen.

Check the media type and size that appear and tap **OK**.

- **Stopping printing**

Tap **Cancel** on the touch screen or press the **Stop** button.

- **Replacing the roll paper**

Follow the steps below to replace the paper with roll paper of the width specified in the print job paper size settings.

1. Tap **Replace the paper and print**, then remove the roll paper.

➔ [Removing the Roll from the Printer](#)

2. Replace the paper with paper of the width set in the printer driver.

➔ [Loading Rolls in the Printer](#)

Printing begins.

- **Printing without changes**

Tap **Print with the loaded paper..**

However, note that this error may cause paper jams and affect the printing quality.

## ▶▶▶ Note

- To change print settings in Windows, select **Fit Roll Paper Width** in the printer driver and set the roll paper width in the dialog box that appears.
- To change print settings in macOS, open the printer driver and select **Fit Roll Paper Width**, and then set the roll paper width in that panel to the width of the paper loaded in the printer.
- To suppress this message, set **Detect paper setting mismatch** in the touch screen menu to **Do not detect**. However, note that this error may affect the printing quality.

➔ [Menu Structure](#)

### Cause

Cannot print internal printer data, such as test prints, for the following reasons.

- The paper roll loaded in the printer is too small.
- The cut paper loaded in the printer is the wrong size or type.

### What to Do

#### • Roll

Tap **Replace the paper and print** on the touch screen, or tip back the release lever and replace the paper with paper of the correct size.

➔ [Loading Rolls in the Printer](#)

To stop printing, tap **Cancel** or press the **Stop** button.

#### • Sheet

Tip back the release lever, remove any paper, and then load paper of the same size and type as the first page.

➔ [Loading Sheets in the Printer](#)

To stop printing, press the **Stop** button.

## 3000

---

### Cause

The print head has not been calibrated.

### What to Do

**Print Head Alignment** is recommended.

➔ [Adjusting the Print Head](#)

### ▶▶ Note

- This message will appear until **Print Head Alignment** is carried out.

## 3001

---

### Cause

The print head nozzle is becoming blocked.

### What to Do

Check the printed materials.

If the printed materials are scratched, clean the print head.

➔ [Cleaning the Print Head](#)

## 3200

---

### Cause

It is almost time to replace consumables for which service is required.

### What to Do

This can be used for a little while, until the message "**A part needs to be replaced.**" appears.

Contact your Canon dealer for assistance.

## 3201

---

### Cause

It is past the recommended time to replace consumables for which service is required.

### What to Do

Contact your Canon dealer for assistance.

## 3250

---

### Cause

The maintenance cartridge is almost full.

### What to Do

Prepare a new maintenance cartridge because an error may occur if you continue to use the printer while the maintenance cartridge is full.

➔ [Replacing the Maintenance Cartridge](#)

### Cause

Media information cannot be recognized because the printer media information is corrupt.

### What to Do

Start the Media Configuration Tool, and then recover the media information.

➔ [Media Configuration Tool Guide](#)

To set the Media Configuration Tool to recovery mode, open the Media Configuration Tool, select this device and then click **OK**.

Select and load the media information backup file.

If you do not have a media information backup file, contact a Canon customer service center.



## 3311

---

### Cause

Incorrect print data.

Illegal number of parameters.

### What to Do

Defective print data, please check the print results.

If using printing software such as RIP (Raster Image Processor), contact the software manufacturer.

## 3312

---

### Cause

Incorrect print data.

Required items have been omitted.

### What to Do

Defective print data, please check the print results.

If using printing software such as RIP (Raster Image Processor), contact the software manufacturer.

## 3313

---

### Cause

Incorrect print data.

Data out of range.

### What to Do

Defective print data, please check the print results.

If using printing software such as RIP (Raster Image Processor), contact the software manufacturer.

## 3314

---

### Cause

Incorrect print data.

Resolution value out of range.

### What to Do

Defective print data, please check the print results.

If using printing software such as RIP (Raster Image Processor), contact the software manufacturer.

## 3315

---

### Cause

Incorrect print data.

Compression method value out of range.

### What to Do

Defective print data, please check the print results.

If using printing software such as RIP (Raster Image Processor), contact the software manufacturer.

## 3316

---

### Cause

Incorrect print data.

Incorrect data formatting (color sequence, bit count).

### What to Do

Defective print data, please check the print results.

If using printing software such as RIP (Raster Image Processor), contact the software manufacturer.

## 3317

---

### Cause

Incorrect print data.

Illegal combination of resolution and image data format.

### What to Do

Defective print data, please check the print results.

If using printing software such as RIP (Raster Image Processor), contact the software manufacturer.

## 3331

---

### Cause

Print results may be abnormal as there is a large volume of print data.

### What to Do

Check the print job.



### Cause

Unsupported JPEG data format.

### What to Do

Check the JPEG data.

Printable file formats are as follows.

- **Files which conforms to JFIF 1.02**

- Processing method: Basic DCT
- Color mode: RGB/GrayScale
- Number of colors: 24bit/8bit
- Number of pixels: 38400 or less vertically and horizontally

\* Does not support some samplings.

### Cause

Unsupported JPEG data format.

### What to Do

Check the JPEG data.

Printable file formats are as follows.

- **Files which conforms to JFIF 1.02**

- Processing method: Basic DCT
- Color mode: RGB/GrayScale
- Number of colors: 24bit/8bit
- Number of pixels: 38400 or less vertically and horizontally

\* Does not support some samplings.

## 3336

---

### Cause

Too many fonts are used in the PDF file, causing a memory shortage.

Printing will continue but some incorrect characters will be printed.

### What to Do

Print the PDF file from a computer or convert the PDF file to JPEG and then print it.

**3338**

---

**Cause**

Resolution of JPEG data and printer settings are mismatched.

**What to Do**

Check the print results.

When the print results have problems, print using a printer driver.

## 3341

---

### Cause

Print data including the image processing table was sent.

### What to Do

Print data that includes the image processing table cannot be printed.

If using printing software such as RIP (Raster Image Processor), contact the software manufacturer.

## 3342

---

### Cause

Incorrect resolution value.

### What to Do

Check the print settings.

If using printing software such as RIP (Raster Image Processor), contact the software manufacturer.

## 3350

---

### Cause

Free space on the personal box on the printer hard disk is running low.

### What to Do

Delete unneeded jobs stored in personal boxes.

➔ [Deleting Saved Jobs](#)

## 3351

---

### Cause

100 jobs are stored in the personal box.

### What to Do

Delete any unneeded jobs saved in the personal box.

➔ [Deleting Saved Jobs](#)



## 3352

---

### Cause

The printer hard disk is full, so the job will only be printed.

(The print job will not be saved to the hard disk.)

### What to Do

To save the print job, delete any unneeded jobs saved in the personal box.

➔ [Deleting Saved Jobs](#)

## 3414

---

### Cause

Communication with mail server failed.

### What to Do

Tap **OK** on the touch screen to dismiss the error.

Check that the address and port numbers of the sending mail server (SMTP server) are correct in the Remote UI mail server settings.

➔ [Setting Mail Server](#)

If this does not resolve the error, check the status of the mail server.

Contact the mail server administrator to check the server settings and status.

## 3415

---

### Cause

Communication with mail server failed.

### What to Do

Tap **OK** on the touch screen to dismiss the error.

Check that the address and port numbers of the receiving mail server (POP3 server) are correct in the Remote UI mail server settings.

➔ [Setting Mail Server](#)

If this does not resolve the error, check the status of the mail server.

Contact the mail server administrator to check the server settings and status.

## 3416

---

### Cause

Communication with mail server failed.

### What to Do

Tap **OK** on the touch screen to dismiss the error.

Check that the mail server and device secure connection (SSL) settings match.

Check the secure connection (SSL) settings in **Remote UI**.

➔ [Setting Mail Server](#)

Contact the mail server administrator to configure a secure connection (SSL) to the mail server.

## 3417

---

### Cause

Communication with mail server failed.

### What to Do

Tap **OK** on the touch screen to dismiss the error.

Check that the mail server and device secure connection (SSL) settings match.

Check the secure connection (SSL) settings in **Remote UI**.

➔ [Setting Mail Server](#)

Contact the mail server administrator to configure a secure connection (SSL) to the mail server.

## 3418

---

### Cause

Communication with mail server failed.

### What to Do

Tap **OK** on the touch screen to dismiss the error.

Check that the sending mail server (SMTP server) is correctly configured in the Remote UI mail server settings.

➔ [Setting Mail Server](#)

If this does not resolve the error, check the status of the mail server.

Contact the mail server administrator to check the server settings and status.

## 3419

---

### Cause

Communication with mail server failed.

### What to Do

Tap **OK** on the touch screen to dismiss the error.

Check that the sending account and password are correctly configured in the Remote UI mail server settings.

➔ [Setting Mail Server](#)

If this does not resolve the error, check the status of the mail server.

Contact the mail server administrator to check the server settings and status.

## 3420

---

### Cause

Communication with mail server failed.

### What to Do

Tap **OK** on the touch screen to dismiss the error.

Check that the receiving mail server (POP3 server) is correctly configured in the Remote UI mail server settings.

➔ [Setting Mail Server](#)

If this does not resolve the error, check the status of the mail server.

Contact the mail server administrator to check the server settings and status.



## 3421

---

### Cause

Communication with mail server failed.

### What to Do

Tap **OK** on the touch screen to dismiss the error.

Check that the receiving account and password are correctly configured in the Remote UI mail server settings.

➔ [Setting Mail Server](#)

If this does not resolve the error, check the status of the mail server.

Contact the mail server administrator to check the server settings and status.

## 3422

---

### Cause

Communication with mail server failed.

### What to Do

Tap **OK** on the touch screen to dismiss the error.

Check that the settings on the mail server and the APOP settings on this device match.

Check this device's APOP settings in **Remote UI**.

➔ [Setting Mail Server](#)

Contact the mail server administrator for configuring APOP on the mail server.

## 3423

---

### Cause

Communication with mail server failed.

### What to Do

Tap **OK** on the touch screen to dismiss the error.

Check if the Remote UI mail server settings are correct.

➔ [Setting Mail Server](#)

If this does not resolve the error, check the status of the mail server.

Contact the mail server administrator to check the server settings and status.

## 3424

---

### Cause

Sending mail failed.

### What to Do

Tap **OK** on the touch screen to dismiss the error.

Specify the correct destination mail address and try again.

## 3448

---

### Cause

IP address is conflicting.

### What to Do

Tap **OK** on the touch screen to dismiss the error.

Check the network configuration and change the network configuration to prevent a conflict with other network devices.

For details on changing the network configuration, refer to the documentation for your network device.

## 3451

---

### Cause

Failed to communicate with the monitoring service center.

### What to Do

Check the network connection and perform a communication test.

For details on changing the network configuration, refer to the documentation for your network device.

## 4111

---

### Cause

The media type specified is incompatible with this device.

### What to Do

Press the **Stop** button to stop printing.

Check the media type settings, and then try again.

## Cause

Cannot print borderless for the following reasons.

- Printer driver is not set to **Fit Roll Paper Width**.
- Roll paper is not wide enough, or the paper is out of position.

## What to Do

### • Stopping printing

Tap **Cancel** on the touch screen.

### • Replacing paper

Follow the steps below to replace the printer paper with paper that can be printed borderless.

1. Tap **Replace the paper and print** on the touch screen, then remove the roll paper.

➡ [Removing the Roll from the Printer](#)

2. Replace the printer paper with paper that can be printed borderless.

➡ [Loading Rolls in the Printer](#)

### • Printing with the loaded paper

Tap **Print with the loaded paper** on the touch screen.

Paper is printed borderless with the document width set slightly smaller than the paper.



## 4114

---

### Cause

The paper position is not suitable for borderless printing.

### What to Do

Tap **OK** on the touch screen, then reload the paper.

Insert the roll paper firmly until it is against the roll holder flange.

➔ [Loading Rolls on the Roll Holder](#)

## Cause

The paper is loaded askew.

## What to Do

- **Reloading paper**

Tap **Replace the paper and print** on the touch screen, and then load the paper.

➔ [Loading Rolls in the Printer](#)

Insert the roll paper firmly until it is against the roll holder flange.

➔ [Loading Rolls on the Roll Holder](#)

- **Printing with the loaded paper**

Tap **Print with the loaded paper.** on the touch screen.

Paper is printed borderless with the document width set slightly smaller than the paper.

- **Stopping printing**

Tap **Cancel** on the touch screen to stop printing.

## ▶▶ Note

- To force the printer to print, set **Detect paper setting mismatch** in the touch screen menu to **Do not detect**.

However, note that this error may affect the printing quality.

## Cause

The print job received contains settings not compatible with borderless printing.

## What to Do

- **Changing the print job settings**

Follow these steps to change the settings of the print job to enable borderless printing.

1. Tap **Cancel** on the touch screen to stop printing.
2. Check that the paper source is set to Roll Paper in your application.
3. Check that banner printing is not set, and then try again.

See the media information list for media types compatible with borderless printing.

➔ Paper Information List

- **Printing with a border**

Tap **Print with border** on the touch screen.

Printing with a border is now enabled.

## ▶▶ Note

- To force the printer to print, set **Detect paper setting mismatch** in the touch screen menu to **Do not detect**.

However, note that this error may affect the printing quality.

## 4122

---

### Cause

The media type in the printer cannot be printed borderless.

### What to Do

Tap **Cancel** on the touch screen to stop printing.

### ▶▶ Note

- See the media information list for media types compatible with borderless printing.
  - ➔ Paper Information List

## 4801

---

### Cause

A printer error has occurred.

### What to Do

Turn off the power, wait a moment, and then turn it back on.

If the error appears again, make a note of the detailed error code (ECxx-xxxx) that appears on the touch screen, and then turn off the power and contact a Canon customer service center.

### Detailed error codes

EC01-2F90 EC01-2F95 EC04-2F31 EC05-2F92 EC06-2F9A EC06-2F9B EC06-2F9C EC0F-2F96  
EC11-2F2A EC12-2F29 EC12-2F2B EC12-2F2C EC13-2F17 EC15-2E23 EC16-2021 EC16-2022  
EC16-2027 EC16-202A EC16-2038 EC21-2F51 EC21-2F54 EC21-2F57 EC21-2F59 EC21-2F61  
EC21-2F67 EC21-2F70 EC21-2F71 EC21-2F72 EC22-2F30 EC22-2F47 EC23-260E EC23-2F11  
EC23-2F18 EC23-2F32 EC25-2F16 EC31-2F1C EC31-2F1D EC31-2F1E EC31-2F22 EC33-2601  
EC33-2F3A EC33-2F3D EC33-2F3E EC34-2602 EC34-2F3B EC35-2603 EC35-2F3C EC51-2F14  
EC51-2F15 EC51-2FDD EC51-2FDE EC51-2FDF EC51-3301 EC51-3302 EC51-3303 EC54-290A  
EC54-290D EC54-2910 EC54-2911 EC54-2912 EC55-2F20 EC55-2F6C EC58-2F12

## 4803

---

### Cause

A printer error has occurred.

### What to Do

Turn off the power, wait a moment, and then turn it back on.

If the error appears again, make a note of the detailed error code (ECxx-xxxx) that appears on the touch screen, and then turn off the power and contact a Canon customer service center.

### Detailed error codes

EC51-203C

## 4900

---

### Cause

The printer hard disk is full.

### What to Do

Press the **Stop** button to stop printing, and then take the following action.

- Cancel the print job in the job queue.
  - ➔ [Deleting Print Jobs](#)
- Delete unneeded jobs stored in personal boxes.
  - ➔ [Deleting Saved Jobs](#)

## 4901

---

### Cause

The printer hard disk has not been formatted.

### What to Do

Tap **OK** on the touch screen to begin formatting the hard disk.

When formatting is complete, the data on the hard disc will be erased and the printer will automatically restart.



## 4903

---

### Cause

The maximum number of jobs have been saved in the box.

### What to Do

Take the actions below.

- Cancel the print job in the job queue.
  - ➔ [Deleting Print Jobs](#)
- Delete unneeded jobs stored in personal boxes.
  - ➔ [Deleting Saved Jobs](#)

### ▶▶ Note

- To stop printing, press the **Stop** button.

## 4905

---

### Cause

A printer error has occurred.

### What to Do

Turn off the power, wait a moment, and then turn it back on.

If the error appears again, make a note of the detailed error code (ECxx-xxxx) that appears on the touch screen, and then turn off the power and contact a Canon customer service center.

### Detailed error codes

EC51-3304 EC51-3306 EC51-3307 EC51-3308 EC51-3309 EC51-330A

## Cause

The width of the roll paper set in **Fit Roll Paper Width** in the printer driver is not the same as the width of the roll paper loaded in the printer.

## What to Do

Tap **OK** on the touch screen to go to the next screen.

Check the media type and size that appear and tap **OK**.

- **Stopping printing**

Tap **Cancel** on the touch screen or press the **Stop** button.

- **Replacing the roll paper**

Follow the steps below to replace the paper with roll paper of the width set in the printer driver.

1. Tap **Replace the paper and print**, then remove the roll paper.

➡ [Removing the Roll from the Printer](#)

2. Replace the paper with paper of the width set in the printer driver.

➡ [Loading Rolls in the Printer](#)

Printing begins.

- **Printing without changes**

Tap **Print with the loaded paper**.

However, note that this error may cause paper jams and affect the printing quality.

## ▶▶ Note

- To change print settings in Windows, select **Fit Roll Paper Width** in the printer driver and set the roll paper width in the dialog box that appears.
- To change print settings in macOS, open the printer driver and select **Fit Roll Paper Width**, and then set the roll paper width in that panel to the width of the paper loaded in the printer.

## Cause

The media type specified in the printer driver is not the same as the media type loaded in the printer.

## What to Do

Tap **OK** on the touch screen to go to the next screen.

Check the media type and size that appear and tap **OK**.

- **Changing the printer driver print settings**

Follow the steps below to match the media type in the printer driver and the media type specified for the printer.

1. Tap **Cancel** on the touch screen to stop printing.
2. Change the media type in the printer driver settings to the media type loaded in the printer, and then try again.

- **Replacing paper**

Follow the steps below to match the media type in the printer driver and the media type specified for the printer.

1. Tap **Replace the paper and print** on the touch screen to stop printing.
2. Load the paper with the media type set in the printer driver, and then try again.

- ➡ [Loading and Printing on Rolls](#)
- ➡ [Loading and Printing on Sheets](#)

- **Printing without changes**

To continue printing, tap **Print with the loaded paper.** on the touch screen.

However, note that this error may cause paper jams and affect the printing quality.

## Cause

Cannot print borderless for one of the following reasons.

- The paper size in the printer cannot be printed borderless.
- The paper is loaded askew.

## What to Do

### • Replacing paper

Follow the steps below to replace the printer paper with paper that can be printed borderless.

1. Tap **Replace the paper and print** on the touch screen, then remove the roll paper.

➔ [Removing the Roll from the Printer](#)

2. Replace the printer paper with paper that can be printed borderless.

➔ [Loading Rolls in the Printer](#)

Printing begins.

### ▶▶▶ Note

See the media information list for media types compatible with borderless printing.

➔ [Paper Information List](#)

### • Reloading paper

Tap **Replace the paper and print** on the touch screen, and then load the paper.

➔ [Loading Rolls in the Printer](#)

Insert the roll paper firmly until it is against the roll holder flange.

➔ [Loading Rolls on the Roll Holder](#)

### • Printing with the loaded paper

Tap **Print with the loaded paper.** on the touch screen.

Paper is printed borderless with the document width set slightly smaller than the paper.

### • Stopping printing

Tap **Cancel** on the touch screen to stop printing.

## Cause

Cannot cut paper for one of the following reasons.

- Paper that has been cut remains on the output guide.
- There is a foreign object near the output slot that is obstructing the cutter blade.
- The paper is not being used under the recommended usage conditions.
- The paper in use cannot be used with **Automatic cut**.

## What to Do

### • Paper that has been cut remains on the output guide

Follow the steps below to resume printing.

1. Tip back the release lever and remove the paper.
2. Load the paper.
3. If "**There is a job which has not been printed yet. Do you want to print this job?**" appears on the touch screen, tap **Yes**.

Printing will resume, starting from the page on which the error occurred.

➔ [Removing the Roll from the Printer](#)

### • A foreign object near the output slot is obstructing the cutter blade

Follow the steps below to resume printing.

1. Open the top cover and remove any foreign objects.
2. If "**There is a job which has not been printed yet. Do you want to print this job?**" appears on the touch screen, tap **Yes**.

Printing will resume, starting from the page on which the error occurred.

### • Paper not being used under the recommended usage conditions

Every paper type has different recommended conditions of use. Use all paper under its recommended usage conditions.

See the media information list for recommended usage conditions.

➔ Paper Information List

### • The paper in use cannot be used with Automatic cut

Set the roll paper cutting method to **User cut** and cut the roll paper with a cutting implement such as scissors.

➔ [Specifying the Cutting Method for Rolls](#)

See the media information list for paper types that can be used with **Automatic cut**.

➔ Paper Information List

If this does not apply, there may be a cutter blade malfunction.

Contact your Canon dealer for assistance.

## Cause

**Paper feed adjustment** may have failed for the following reasons.

- The paper for printing a test pattern is soiled. Otherwise, you have loaded colored paper.
- The printer may be exposed to strong light, such as direct sunlight, which can cause the sensors to malfunction.
- The test pattern was printed too faintly.

## What to Do

Tap **OK** on the touch screen to dismiss the error, and then take the following actions.

- Load unused paper.
- Make adjustments to ensure that the printer is not exposed to strong light.
- Print a nozzle check pattern to check the print head status.

If the pattern has gaps or horizontal white lines, the print head nozzle is blocked. Clean the print head.

➔ [Checking for Nozzle Clogging](#)



## 4932

---

### Cause

The print head cannot be calibrated because the printer is loaded with very transparent film-type paper.

### What to Do

Tap **OK** on the touch screen to dismiss the error.

We recommend calibrating the print head with a frequently used, non-film paper.

➔ [Automatic Adjustment to Straighten Lines and Colors](#)

## Cause

The print head nozzle may be blocked.

## What to Do

Follow the steps below to repeat **Print Head Alignment**.

1. Tap **OK** on the touch screen to dismiss the error.
2. Print a test pattern to check the nozzles.
  - ➔ [Checking for Nozzle Clogging](#)
3. If the nozzle is blocked, clean the print head.
  - ➔ [Cleaning the Print Head](#)
4. Repeat **Print Head Alignment**.
  - ➔ [Automatic Adjustment to Straighten Lines and Colors](#)

## Cause

The print head nozzle may be blocked.

## What to Do

Follow the steps below to repeat **Print Head Alignment**.

1. Tap **OK** on the touch screen to dismiss the error.
2. Print a test pattern to check the nozzles.
  - ➔ [Checking for Nozzle Clogging](#)
3. If the nozzle is blocked, clean the print head.
  - ➔ [Cleaning the Print Head](#)
4. Repeat **Print Head Alignment**.
  - ➔ [Automatic Adjustment to Straighten Lines and Colors](#)

## 4935

---

### Cause

The print head nozzle may be blocked.

### What to Do

Follow the steps below to repeat **Print Head Alignment**.

1. Tap **OK** on the touch screen to dismiss the error.
2. Print a test pattern to check the nozzles.
  - ➔ [Checking for Nozzle Clogging](#)
3. If the nozzle is blocked, clean the print head.
  - ➔ [Cleaning the Print Head](#)
4. Repeat **Print Head Alignment**.
  - ➔ [Automatic Adjustment to Straighten Lines and Colors](#)

## Cause

Print head position adjustment failed.

## What to Do

Follow the steps below to repeat **Print Head Alignment**.

1. Tap **OK** on the touch screen to dismiss the error.
2. Print a test pattern to check the nozzles.
  - ➔ [Checking for Nozzle Clogging](#)
3. If the nozzle is blocked, clean the print head.
  - ➔ [Cleaning the Print Head](#)
4. Retry **Print Head Alignment**.
  - ➔ [Automatic Adjustment to Straighten Lines and Colors](#)

If any print head nozzles are still blocked, replace the print head.

- ➔ [Replacing the Print Head](#)

If the error appears again, the printer may be damaged. Contact a Canon customer service center.

## 4950

---

### Cause

WPS (Push button method) connection failed.

### What to Do

Follow the instructions on the touch screen to try connecting to the wireless router again.

## 4951

---

### Cause

AOSS (BUFFALO) connection failed.

### What to Do

Follow the instructions on the touch screen to try connecting to the wireless router again.

**4952**

---

**Cause**

Failed to connect to the wireless router.

**What to Do**

Follow the instructions on the touch screen to try connecting to the wireless router again.



## 4953

---

### Cause

Failed to acquire IP address.

### What to Do

Check the information that appears on the touch screen, and then try connecting again.

## 4954

---

### Cause

Failed to set up Wi-Fi using Easy wireless connect.

### What to Do

Tap **OK** on the touch screen to dismiss the error, and then configure the settings again.

## 4955

---

### Cause

IPv4/IPv6 settings were changed, but wired LAN and Wi-Fi are disabled.

### What to Do

Tap **OK** on the touch screen to dismiss the error, and then enable wired LAN or Wi-Fi.

## 4956

---

### Cause

Attempted to change LAN settings, but they cannot be changed for the following reasons.

- Printer is operating
- Printer currently being configured using **Remote UI**

### What to Do

Tap **OK** on the touch screen to dismiss the error, exit other processes and then configure the settings again.

## 5106

---

### Cause

A printer error has occurred.

### What to Do

Make a note of the detailed error code (ECxx-xxxx) that appears on the touch screen, and then turn off the power and unplug the power cord.

Contact your Canon dealer for assistance.

### Detailed error codes

EC03-4061

## 5200

---

### Cause

A printer error has occurred.

### What to Do

Turn off the power and unplug the power cord.

Wait a moment and turn the power back on.

If the error appears again, make a note of the detailed error code (ECxx-xxxx) that appears on the touch screen, and then contact a Canon customer service center.

### Detailed error codes

EC21-2F7E

## 5B16

---

### Cause

A printer error has occurred.

### What to Do

Make a note of the detailed error code (ECxx-xxxx) that appears on the touch screen, and then turn off the power and unplug the power cord.

Contact your Canon dealer for assistance.

### Detailed error codes

EC22-4001

## 5B20

---

### Cause

A printer error has occurred.

### What to Do

Make a note of the detailed error code (ECxx-xxxx) that appears on the touch screen, and then turn off the power and unplug the power cord.

Contact your Canon dealer for assistance.

### Detailed error codes

EC25-4001 EC41-4001 EC43-4001 EC44-4001 EC47-4001



## 5B21

---

### Cause

A printer error has occurred.

### What to Do

Make a note of the detailed error code (ECxx-xxxx) that appears on the touch screen, and then turn off the power and unplug the power cord.

Contact your Canon dealer for assistance.

### Detailed error codes

EC48-4001

## 5C00

---

### Cause

A printer error has occurred.

### What to Do

Make a note of the detailed error code (ECxx-xxxx) that appears on the touch screen, and then turn off the power and unplug the power cord.

Contact your Canon dealer for assistance.

### Detailed error codes

EC31-4001

## 6502

---

### Cause

A printer error has occurred.

### What to Do

Turn off the power and unplug the power cord.

Wait a moment and turn the power back on.

If the error appears again, make a note of the detailed error code (ECxx-xxxx) that appears on the touch screen, and then contact a Canon customer service center.

### Detailed error codes

EC56-2FE0

## 6700

---

### Cause

A printer error has occurred.

### What to Do

Make a note of the detailed error code (ECxx-xxxx) that appears on the touch screen, and then turn off the power and unplug the power cord.

Contact your Canon dealer for assistance.

### Detailed error codes

EC57-404F

## 6702

---

### Cause

A printer error has occurred.

### What to Do

Make a note of the detailed error code (ECxx-xxxx) that appears on the touch screen, and then turn off the power and unplug the power cord.

Contact your Canon dealer for assistance.

### Detailed error codes

EC57-4040

## 6820

---

### Cause

A printer error has occurred.

### What to Do

Make a note of the detailed error code (ECxx-xxxx) that appears on the touch screen, and then turn off the power and unplug the power cord.

Contact your Canon dealer for assistance.

### Detailed error codes

EC07-4060 EC51-4041 EC51-4042 EC51-4045 EC51-4046 EC51-4047 EC51-404C EC51-404D  
EC51-404E EC51-4070 EC51-4071 EC51-4072

## 6900

---

### Cause

A printer error has occurred.

### What to Do

Turn off the power and unplug the power cord.

Wait a moment and turn the power back on.

If the error appears again, make a note of the detailed error code (ECxx-xxxx) that appears on the touch screen, and then contact a Canon customer service center.

### Detailed error codes

EC51-3000

## 6901

---

### Cause

A printer error has occurred.

### What to Do

Turn off the power and unplug the power cord.

Wait a moment and turn the power back on.

If the error appears again, make a note of the detailed error code (ECxx-xxxx) that appears on the touch screen, and then contact a Canon customer service center.

### Detailed error codes

EC51-3001



## 6902

---

### Cause

A printer error has occurred.

### What to Do

Turn off the power and unplug the power cord.

Wait a moment and turn the power back on.

If the error appears again, make a note of the detailed error code (ECxx-xxxx) that appears on the touch screen, and then contact a Canon customer service center.

### Detailed error codes

EC51-3006

## 6910

---

### Cause

A printer error has occurred.

### What to Do

Turn off the power and unplug the power cord.

Wait a moment and turn the power back on.

If the error appears again, make a note of the detailed error code (ECxx-xxxx) that appears on the touch screen, and then contact a Canon customer service center.

### Detailed error codes

EC51-3002

## 6911

---

### Cause

A printer error has occurred.

### What to Do

Turn off the power and unplug the power cord.

Wait a moment and turn the power back on.

If the error appears again, make a note of the detailed error code (ECxx-xxxx) that appears on the touch screen, and then contact a Canon customer service center.

### Detailed error codes

EC51-3003

## 6920

---

### Cause

A printer error has occurred.

### What to Do

Turn off the power and unplug the power cord.

Wait a moment and turn the power back on.

If the error appears again, make a note of the detailed error code (ECxx-xxxx) that appears on the touch screen, and then contact a Canon customer service center.

### Detailed error codes

EC51-3004

## 6921

---

### Cause

A printer error has occurred.

### What to Do

Turn off the power and unplug the power cord.

Wait a moment and turn the power back on.

If the error appears again, make a note of the detailed error code (ECxx-xxxx) that appears on the touch screen, and then contact a Canon customer service center.

### Detailed error codes

EC51-3005

## 6930

---

### Cause

A printer error has occurred.

### What to Do

Turn off the power and unplug the power cord.

Wait a moment and turn the power back on.

If the error appears again, make a note of the detailed error code (ECxx-xxxx) that appears on the touch screen, and then contact a Canon customer service center.

### Detailed error codes

EC51-3100

## 6931

---

### Cause

A printer error has occurred.

### What to Do

Turn off the power and unplug the power cord.

Wait a moment and turn the power back on.

If the error appears again, make a note of the detailed error code (ECxx-xxxx) that appears on the touch screen, and then contact a Canon customer service center.

### Detailed error codes

EC51-3101

## 6932

---

### Cause

A printer error has occurred.

### What to Do

Turn off the power and unplug the power cord.

Wait a moment and turn the power back on.

If the error appears again, make a note of the detailed error code (ECxx-xxxx) that appears on the touch screen, and then contact a Canon customer service center.

### Detailed error codes

EC51-3102



## 6933

---

### Cause

A printer error has occurred.

### What to Do

Turn off the power and unplug the power cord.

Wait a moment and turn the power back on.

If the error appears again, make a note of the detailed error code (ECxx-xxxx) that appears on the touch screen, and then contact a Canon customer service center.

### Detailed error codes

EC51-3103

## 6940

---

### Cause

A printer error has occurred.

### What to Do

Turn off the power and unplug the power cord.

Wait a moment and turn the power back on.

If the error appears again, make a note of the detailed error code (ECxx-xxxx) that appears on the touch screen, and then contact a Canon customer service center.

### Detailed error codes

EC51-3104

## 6941

---

### Cause

A printer error has occurred.

### What to Do

Turn off the power and unplug the power cord.

Wait a moment and turn the power back on.

If the error appears again, make a note of the detailed error code (ECxx-xxxx) that appears on the touch screen, and then contact a Canon customer service center.

### Detailed error codes

EC51-3105

## 6942

---

### Cause

A printer error has occurred.

### What to Do

Turn off the power and unplug the power cord.

Wait a moment and turn the power back on.

If the error appears again, make a note of the detailed error code (ECxx-xxxx) that appears on the touch screen, and then contact a Canon customer service center.

### Detailed error codes

EC51-3106

## 6943

---

### Cause

A printer error has occurred.

### What to Do

Turn off the power and unplug the power cord.

Wait a moment and turn the power back on.

If the error appears again, make a note of the detailed error code (ECxx-xxxx) that appears on the touch screen, and then contact a Canon customer service center.

### Detailed error codes

EC51-3107

## 6944

---

### Cause

A printer error has occurred.

### What to Do

Turn off the power and unplug the power cord.

Wait a moment and turn the power back on.

If the error appears again, make a note of the detailed error code (ECxx-xxxx) that appears on the touch screen, and then contact a Canon customer service center.

### Detailed error codes

EC51-3108

## 6945

---

### Cause

A printer error has occurred.

### What to Do

Turn off the power and unplug the power cord.

Wait a moment and turn the power back on.

If the error appears again, make a note of the detailed error code (ECxx-xxxx) that appears on the touch screen, and then contact a Canon customer service center.

### Detailed error codes

EC51-3109

## 6946

---

### Cause

A printer error has occurred.

### What to Do

Turn off the power and unplug the power cord.

Wait a moment and turn the power back on.

If the error appears again, make a note of the detailed error code (ECxx-xxxx) that appears on the touch screen, and then contact a Canon customer service center.

### Detailed error codes

EC51-3110



## 7050

---

### Cause

A printer error has occurred.

### What to Do

Make a note of the detailed error code (ECxx-xxxx) that appears on the touch screen, and then turn off the power and unplug the power cord.

Contact your Canon dealer for assistance.

### Detailed error codes

EC51-5001

## 7051

---

### Cause

A printer error has occurred.

### What to Do

Make a note of the detailed error code (ECxx-xxxx) that appears on the touch screen, and then turn off the power and unplug the power cord.

Contact your Canon dealer for assistance.

### Detailed error codes

EC51-5002

## 7052

---

### Cause

A printer error has occurred.

### What to Do

Make a note of the detailed error code (ECxx-xxxx) that appears on the touch screen, and then turn off the power and unplug the power cord.

Contact your Canon dealer for assistance.

### Detailed error codes

EC51-5003

## 8200

---

### Cause

A printer error has occurred.

### What to Do

Make a note of the detailed error code (ECxx-xxxx) that appears on the touch screen, and then turn off the power and unplug the power cord.

Contact your Canon dealer for assistance.

### Detailed error codes

EC24-4049 EC24-404A EC24-404B

## 9000

---

### Cause

A printer error has occurred.

### What to Do

Make a note of the detailed error code (ECxx-xxxx) that appears on the touch screen, and then turn off the power and unplug the power cord.

Contact your Canon dealer for assistance.

### Detailed error codes

EC51-2F07

## 9110

---

### Cause

A printer error has occurred.

### What to Do

Make a note of the detailed error code (ECxx-xxxx) that appears on the touch screen, and then turn off the power and unplug the power cord.

Contact your Canon dealer for assistance.

### Detailed error codes

EC52-4038 EC52-4039

## **B20A**

---

### **Cause**

A printer error has occurred.

### **What to Do**

Make a note of the detailed error code (ECxx-xxxx) that appears on the touch screen, and then turn off the power and unplug the power cord.

Contact your Canon dealer for assistance.

### **Detailed error codes**

EC03-403A

## **B510**

---

### **Cause**

A printer error has occurred.

### **What to Do**

Make a note of the detailed error code (ECxx-xxxx) that appears on the touch screen, and then turn off the power and unplug the power cord.

Contact your Canon dealer for assistance.

### **Detailed error codes**

EC32-4001