



# RAZER KRAKEN BT KITTY EDITION

MASTER GUIDE

Be free to express your own killer kitty style with the **Razer Kraken BT Kitty Edition**—a wireless Bluetooth headset with custom kitty ear and headset lighting along with clear sounding 40mm drivers.

# CONTENTS

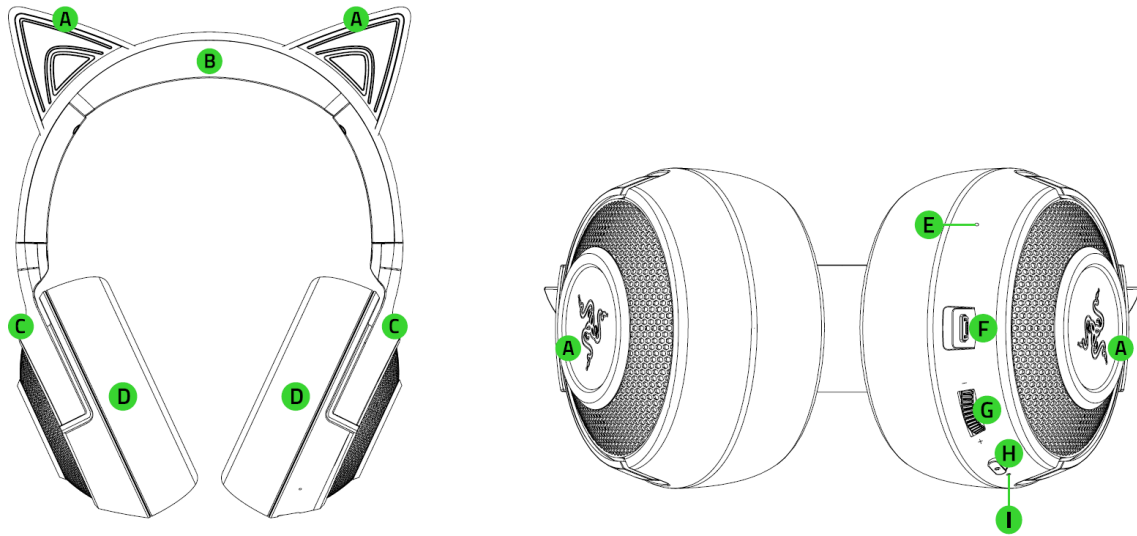
1. WHAT'S INSIDE / WHAT'S NEEDED.....	3
2. LET'S GET YOU COVERED.....	5
3. TECHNICAL SPECIFICATIONS.....	6
4. GETTING STARTED.....	7
5. USING YOUR RAZER KRAKEN BT KITTY EDITION.....	9
6. SAFETY AND MAINTENANCE.....	14
7. LEGALESE.....	15

---

## 1. WHAT'S INSIDE / WHAT'S NEEDED

### WHAT'S INSIDE

- Razer Kraken BT Kitty Edition



- A. Kitty ears and earcups powered by Razer Chroma™ RGB
- B. Adjustable padded headband
- C. Circumaural ear cup design
- D. Plush leatherette foam ear cushions
- E. Mic diaphragm
- F. Charging port
- G. Volume dial
- H. Power button
- I. Status indicator

- Charging cable



- Important Product Information Guide

## **WHAT'S NEEDED**

### **PRODUCT REQUIREMENTS**

- Devices with Bluetooth audio capability

### **RAZER AUDIO APP REQUIREMENTS**

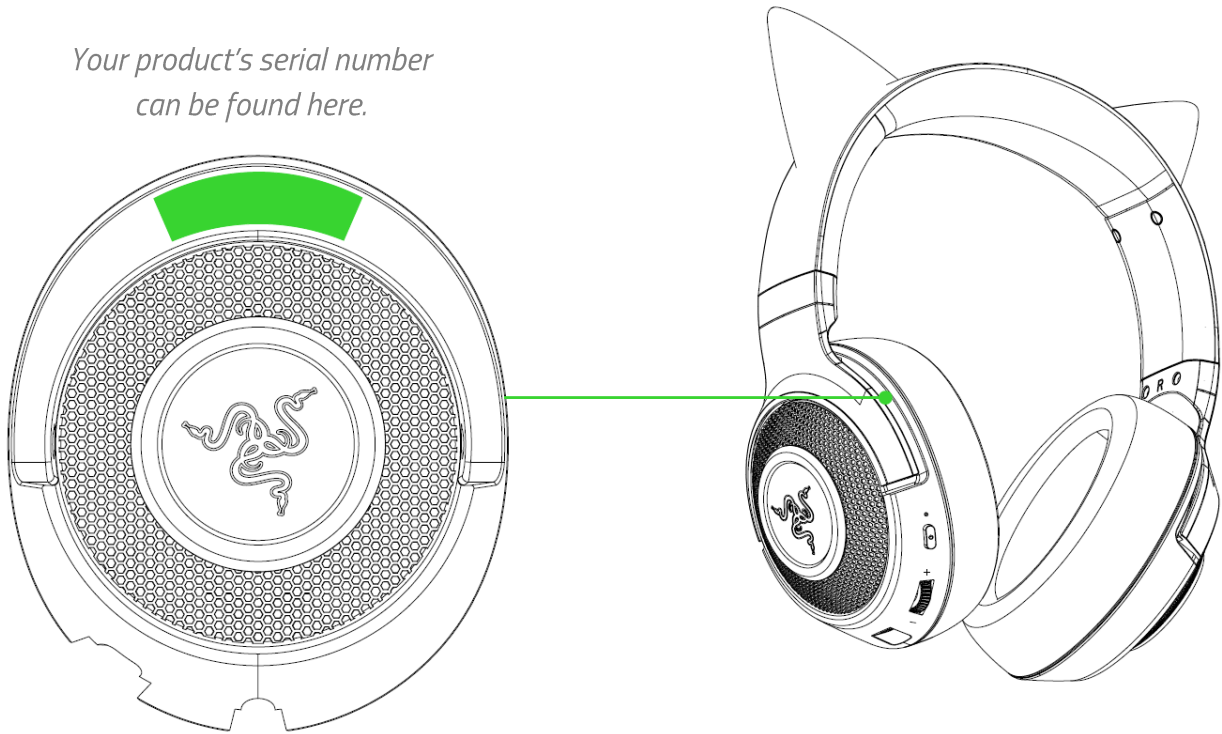
- iOS 12 / Android 8.1 Oreo (or higher) device with Bluetooth connectivity
- Internet connection for app installation

---

## 2. LET'S GET YOU COVERED

You've got a great device in your hands, complete with a 2-year limited warranty coverage. Now maximize its potential and score exclusive Razer benefits by registering at [razerid.razer.com](https://razerid.razer.com)

*Your product's serial number  
can be found here.*



Got a question? Ask the Razer Support Team at [support.razer.com](https://support.razer.com)

---

## 3. TECHNICAL SPECIFICATIONS

### HEADPHONES

- Frequency Response: 20 Hz – 20 kHz (44.1kHz Sampling)
- Impedance: 32 Ohm
- Sensitivity: 96 dB / mW at 1KHz
- Driver Size (Diameters): 40 mm
- Driver Type : Dynamic Driver
- Earcups: Over-Ear (Circumaural)
- Earpads Material: Plush leatherette with foam
- Noise Cancelling: Dual mic noise cancelation
- Connection Type: Bluetooth 5.0 connection

### MICROPHONE

- Microphone Style: ECM
- Pick Up Pattern: Omni-directional
- Microphone Frequency Response: 100 Hz – 10 kHz
- Microphone Sensitivity (@1kHz): -38 dBV/Pa (1kHz)
- Virtual Surround Encoding: Nil

### CONTROLS

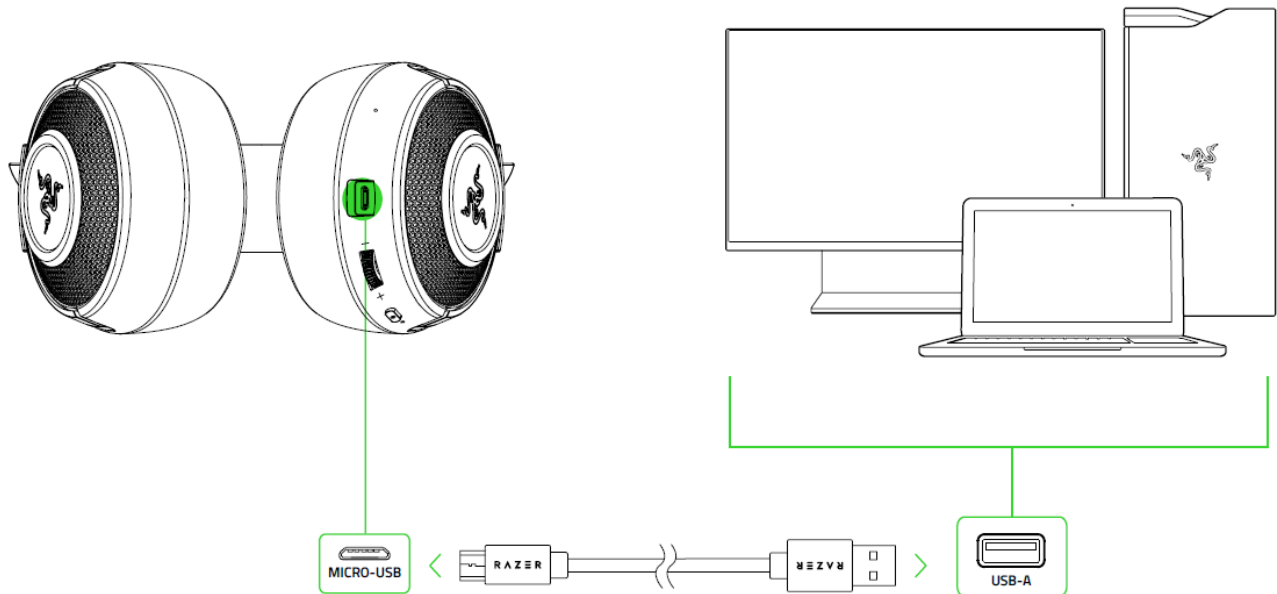
- Volume Control: Volume dial on earcup
- Other Controls: Power On / Pairing / Multi-Function Button
- Battery Life:
  - Up to 20 hours with lighting on
  - Up to 50 hours with lighting off
- Lighting: RGB LED for indicating power, pairing and charging status
- BT Connection: Mobile/System

---

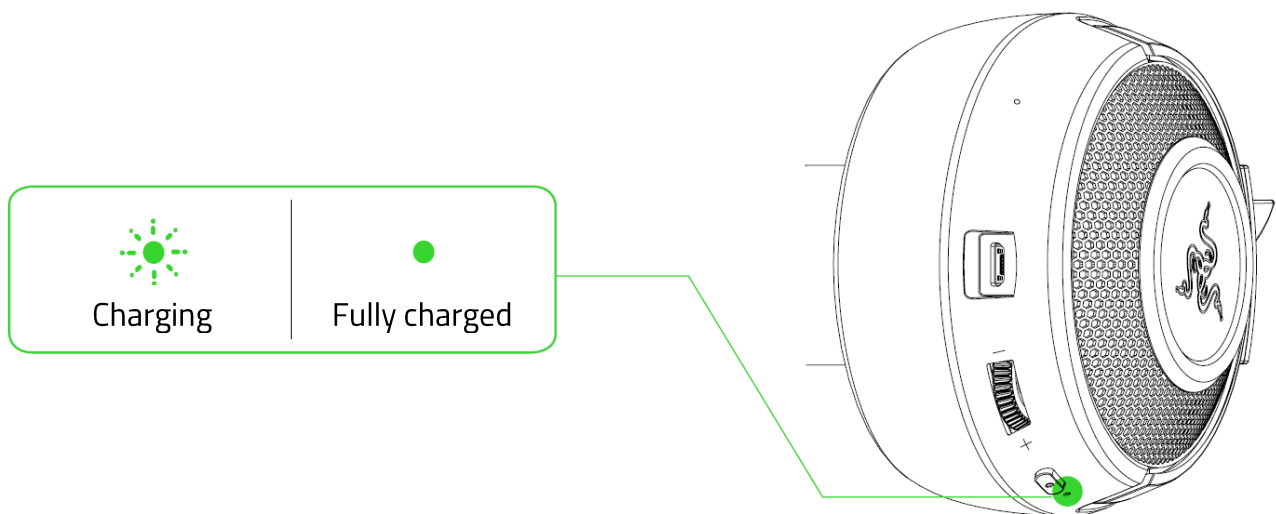
## 4. GETTING STARTED

### CHARGING YOUR HEADSET

Connect your Razer Kraken BT Kitty Edition directly to the USB port of your computer using the charging cable. For best results, please fully charge your headset before using it for the first time. A depleted battery will fully charge in about 3 hours.



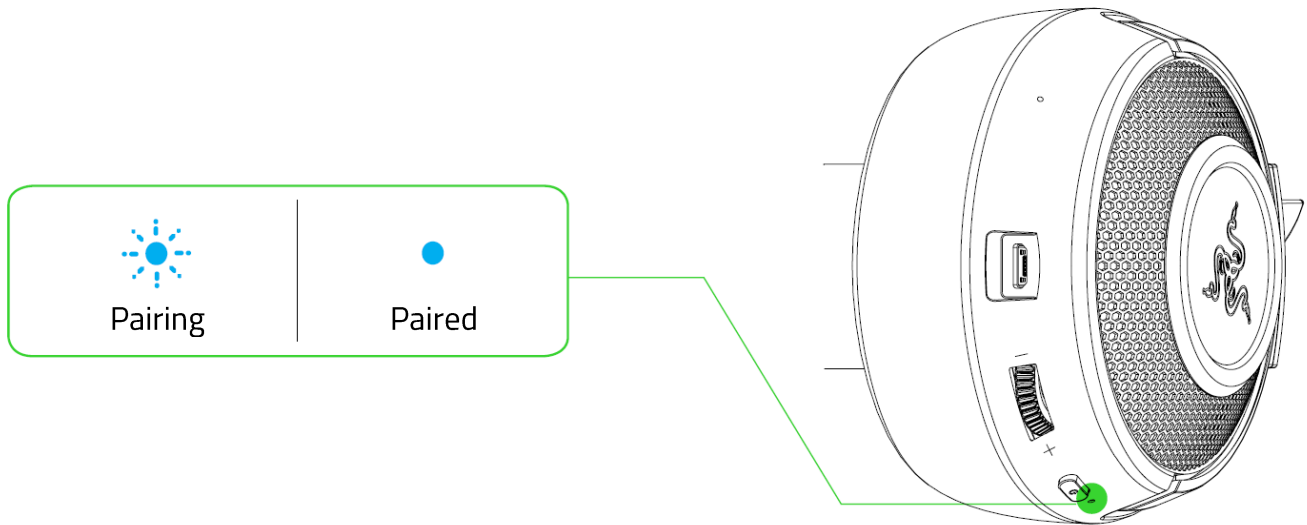
While charging, your Razer Kraken BT Kitty Edition will continuously show its battery level on the status indicator, as shown here:





## CONNECTING YOUR HEADSET

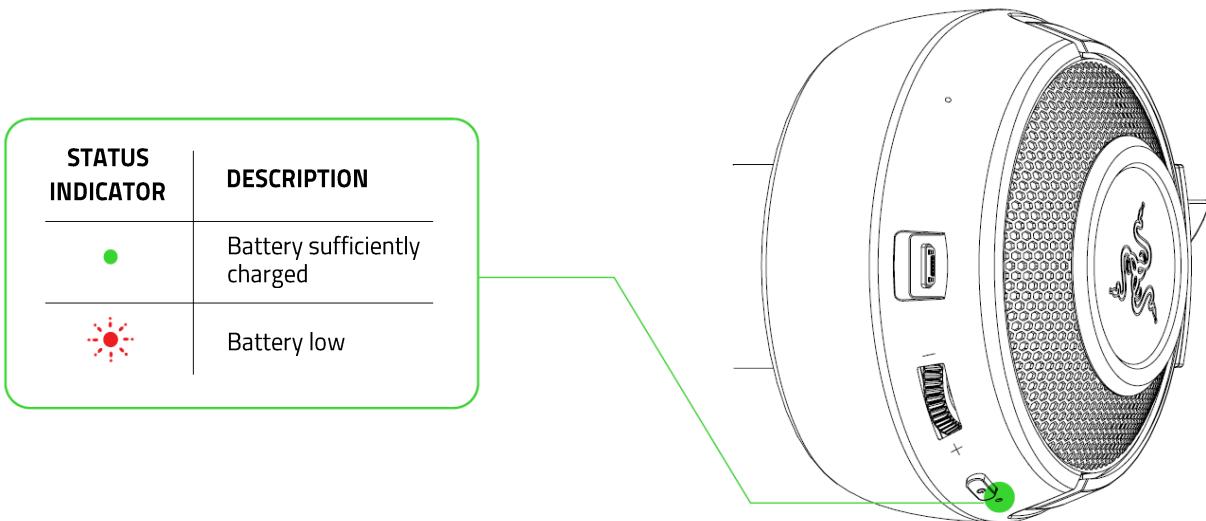
While powered off, press and hold the power button until the status indicator starts blinking blue. An audio prompt will notify you that your Razer Kraken BT Kitty Edition is searching for compatible Bluetooth devices. Follow your device's instructions to pair it with your Razer Kraken BT Kitty Edition. Once the headset is paired, the status indicator will briefly change to static blue.



## 5. USING YOUR RAZER KRAKEN BT KITTY EDITION

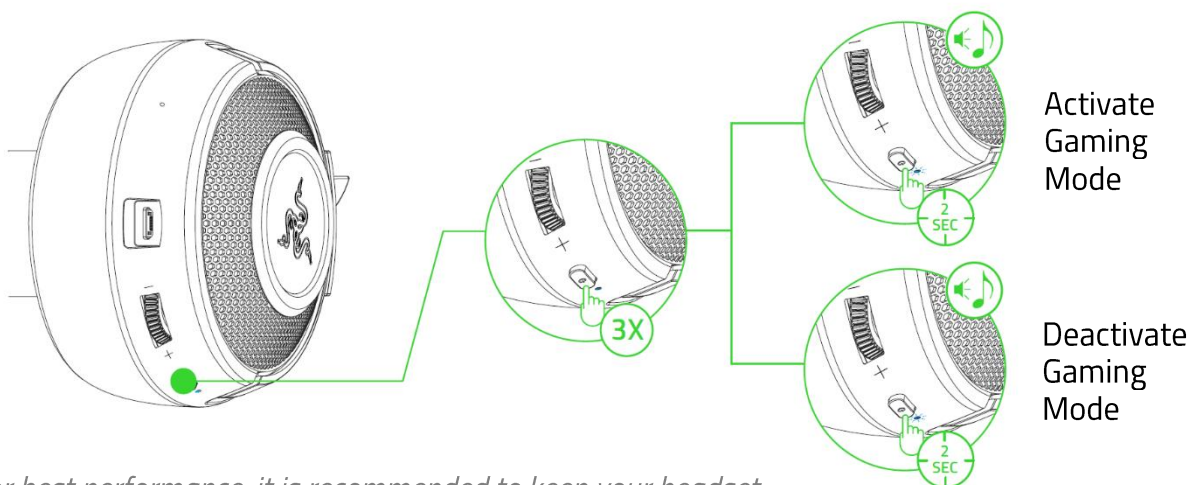
### BATTERY LEVEL


While unplugged, your Razer Kraken BT Kitty Edition will briefly show its battery level on the status indicator when you power on the headset. While in use, an audio prompt will be heard when the battery needs recharging.



### GAMING MODE

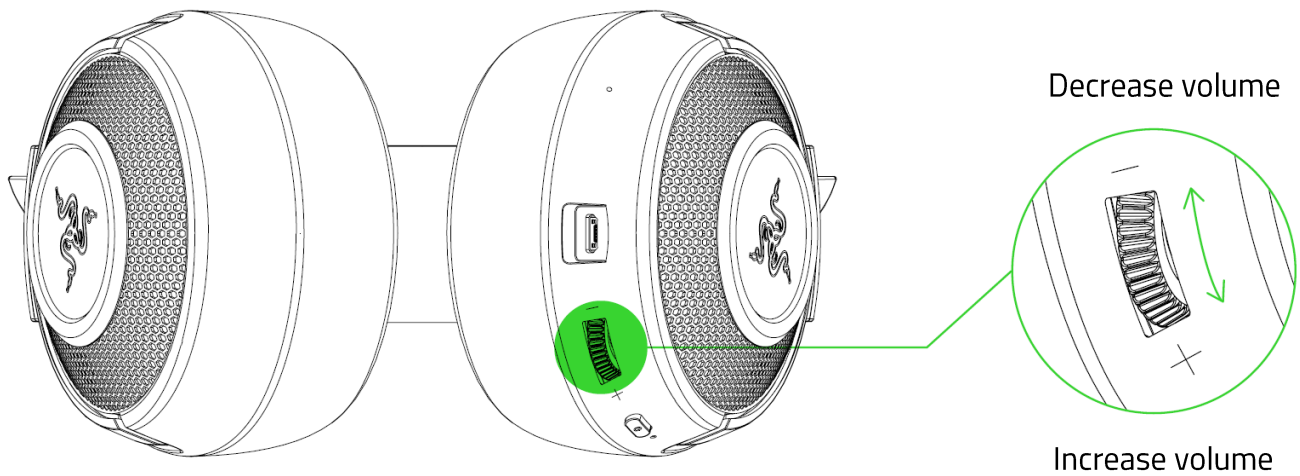
With Gaming Mode enabled, your headset will function at a lower latency; giving you real-time audio feedback while gaming. While connected via Bluetooth, triple press the power button then hold the last press for 2 seconds to activate or deactivate this function. The status indicator will briefly display solid blue and an audio prompt will notify you that this function has been enabled.



 For best performance, it is recommended to keep your headset within a very close distance of the audio source.

## VOLUME DIAL

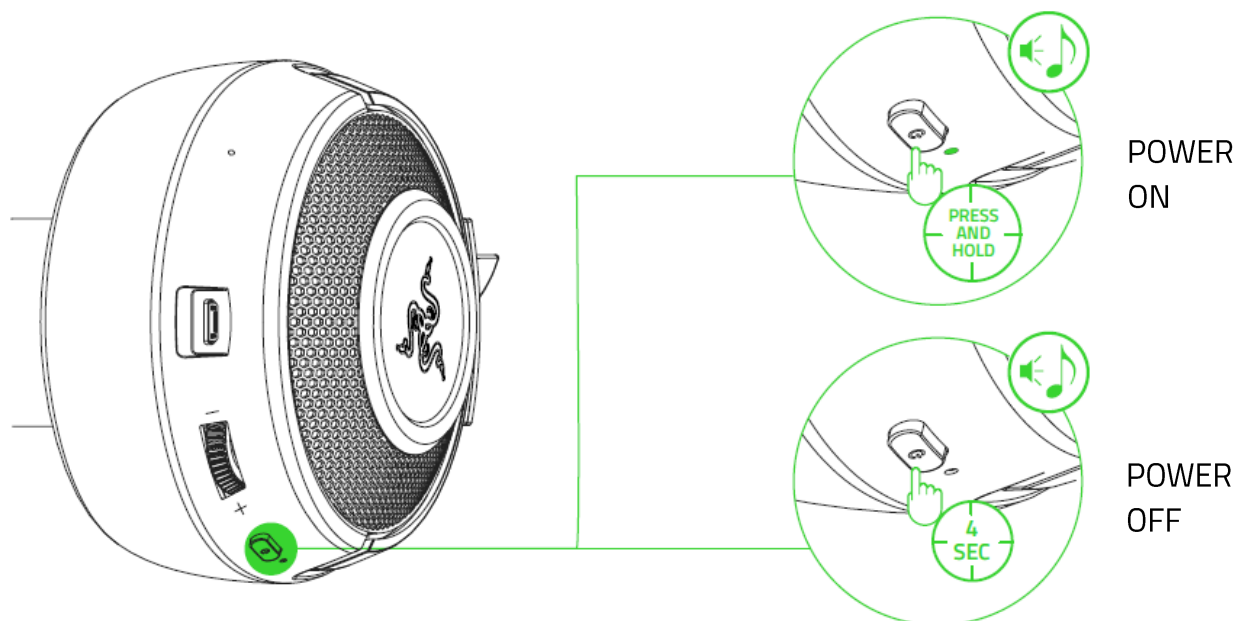
Rotate the volume dial to increase or decrease the volume.



## POWER BUTTON

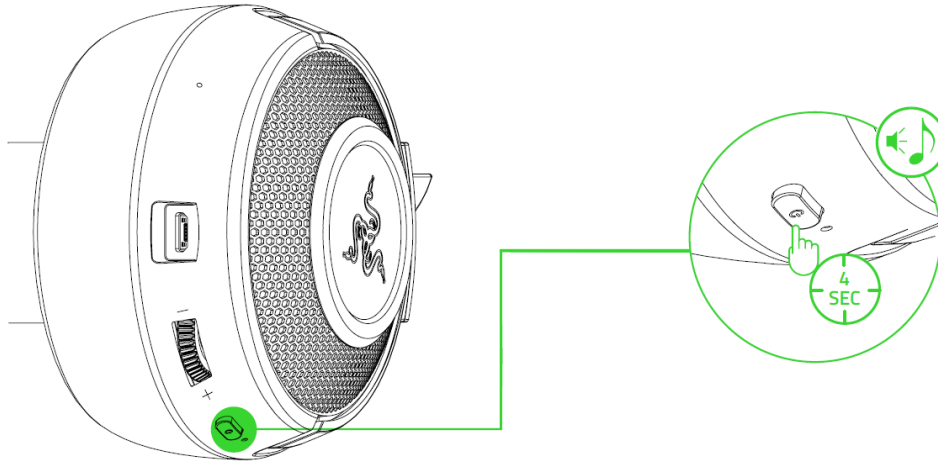
### POWER ON/OFF

Press and hold the power button until the status indicator turns green to power on. Press and hold the power button for 2 seconds to power off. An audio prompt will help notify you that your Razer Kraken BT Kitty Edition is powered on or off.



## PAIRING MODE

Activate your headset's pairing mode if you want to pair it to a different device. While powered off, press and hold the power button for 4 seconds to power on and activate pairing mode.



An audio prompt will help notify you that your Razer Kraken BT Kitty Edition has been powered on and is now in pairing mode. Follow your device's instructions to pair it with your headset. Once the headset is paired, the status indicator will briefly change to static blue.

## OTHER FUNCTIONS

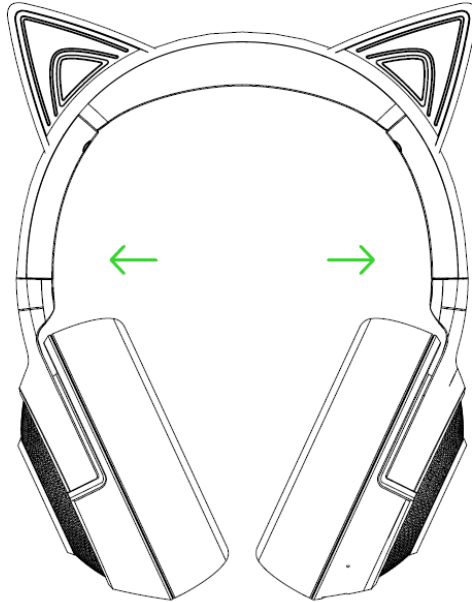
Other power button functions are available when the headset is powered on and connected to your device. These functions operate based on your device's current activity.

 *Some features listed here may not be applicable to certain devices.*

Single press	Play/pause
	Accept incoming call or end current call
	Put call on-hold and accept incoming call
	End call and swap to on-hold call
Press and hold for 2 seconds	Launch voice command
	Reject incoming call
	Swap calls
While powered off, press and hold for 4 seconds	Activate pairing mode
Double press	Skip track
Triple press	Previous track
Triple press then hold the last press for 2 seconds	Enable / disable Gaming Mode

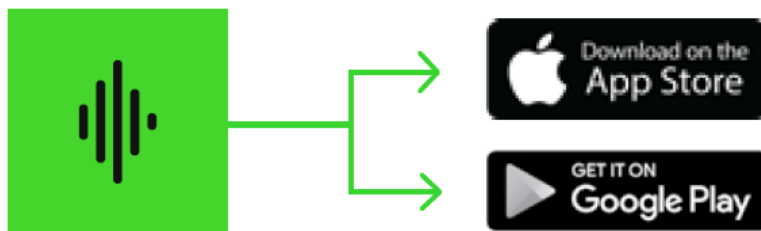
## COMFORT

We recommend stretching the headset gently apart before placing them over your head to minimize headband stress. However, please avoid overstretching the headset beyond its technical limits.



## RAZER AUDIO APP (FOR MOBILE DEVICES)

Making advanced customization just got a whole lot easier for your Razer Kraken BT Kitty Edition. With its own mobile app, you can select or create your own equalizer preset, customize the headset's lighting and much more—anytime, anywhere.



RAZER AUDIO APP

1. Download the mobile app on your mobile device.
2. Launch the app and follow the onscreen instructions

---

## 6. SAFETY AND MAINTENANCE

### SAFETY GUIDELINES

In order to achieve maximum safety while using your Razer Kraken BT Kitty Edition, we suggest that you adopt the following guidelines:

Should you have trouble operating the device properly and troubleshooting does not work, unplug the device and contact the Razer hotline or go to [support.razer.com](https://support.razer.com) for assistance.

Do not take apart the device (doing so will void your warranty) and do not attempt to operate it under abnormal current loads.

Keep the device away from liquid, humidity or moisture. Operate the device only within the specific temperature range of 0°C (32°F) to 40°C (104°F). Should the temperature exceed this range, unplug and/or switch off the device in order to let the temperature stabilize to an optimal level.

The device isolates external ambient sounds even at low volumes, resulting in lowered awareness of your external surroundings. Please remove the device when engaging in any activities that requires active awareness of your surroundings.

Listening to excessively loud volumes over extended periods of time can damage your hearing. Furthermore, legislation of certain countries permits a maximum sound level of 86db to affect your hearing for 8 hours a day. We therefore recommend that you reduce the volume to a comfortable level when listening for prolonged periods of time. Please, take good care of your hearing.

### MAINTENANCE AND USE

The Razer Kraken BT Kitty Edition requires minimum maintenance to keep it in optimum condition. Once a month we recommend you clean it using a soft cloth or cotton swab to prevent dirt buildup. Do not use soap or harsh cleaning agents.

### BATTERY WARNING

The Razer Kraken BT Kitty Edition contains a Li-ion rechargeable battery. In general, the life expectancy of such batteries is dependent upon usage. If you suspect that the Li-ion rechargeable battery inside the Razer Kraken BT Kitty Edition may be drained (has a low charge), try charging it.

Caution: Do not open, mutilate, or expose to conducting materials (metal), moisture, liquid, fire, or heat. Doing so may cause batteries to leak or explode, resulting in personal injury. Battery life varies with usage.

---

## 7. LEGALESE

### **COPYRIGHT AND INTELLECTUAL PROPERTY INFORMATION**

©2020 Razer Inc. All rights reserved. Razer, the triple-headed snake logo, Razer logo, and “For Gamers. By Gamers.” are trademarks or registered trademarks of Razer Inc. and/or affiliated companies in the United States or other countries. All other trademarks are the property of their respective owners.

©2018 Google LLC All rights reserved. Android, Google, Google Logo, Google Play, and the Google Play logo are registered trademarks of Google LLC.

Apple, the Apple logo, and iPhone are trademarks of Apple Inc., registered in the U.S. and other countries. App Store is a service mark of Apple Inc. iOS is a trademark or registered trademark of Cisco in the U.S. and other countries and is used under license.

The Bluetooth® word mark and logos are registered trademarks owned by Bluetooth SIG, Inc., and any use of such marks by Razer is under license.

Razer Inc. (“Razer”) may have copyright, trademarks, trade secrets, patents, patent applications, or other intellectual property rights (whether registered or unregistered) concerning the product in this guide. Furnishing of this guide does not give you a license to any such copyright, trademark, patent or other intellectual property right. The Razer Kraken BT Kitty Edition (the “Product”) may differ from pictures whether on packaging or otherwise. Razer assumes no responsibility for such differences or for any errors that may appear. Information contained herein is subject to change without notice.

### **LIMITED PRODUCT WARRANTY**

For the latest and current terms of the Limited Product Warranty, please visit [razer.com/warranty](https://www.razer.com/warranty).

### **LIMITATION OF LIABILITY**

Razer shall in no event be liable for any lost profits, loss of information or data, special, incidental, indirect, punitive or consequential or incidental damages, arising in any way out of distribution of, sale of, resale of, use of, or inability to use the Product. In no event shall Razer’s liability exceed the retail purchase price of the Product.

### **GENERAL**

These terms shall be governed by and construed under the laws of the jurisdiction in which the Product was purchased. If any term herein is held to be invalid or unenforceable, then such term (in



so far as it is invalid or unenforceable) shall be given no effect and deemed to be excluded without invalidating any of the remaining terms. Razer reserves the right to amend any term at any time without notice.