

# Monitor arm

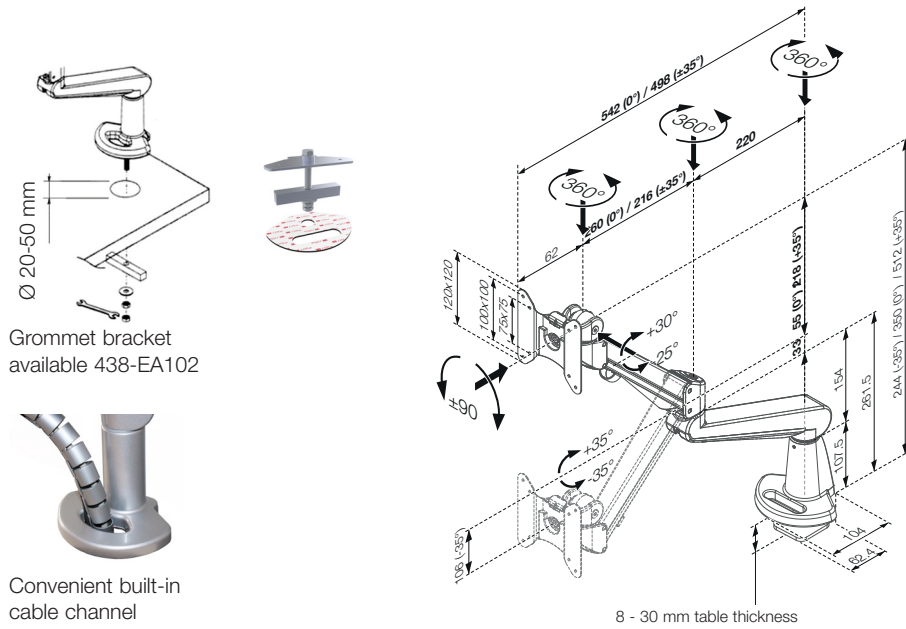
## System 'Stockholm'



### Flexible for desired position

A new, stable gas spring monitor arm, in elegant design and with absolut best performance. Long range and flexibility offers a precise positioning of the monitor at your desk.

Design with a smart quicklock for monitor and equipped with cable clip for practical cable management. Arm length 486 mm, Max load 8 kg. Can be supplemented with a grommet bracket.



#### SPECIFICATIONS

- Smooth and elegant design
- 4 joints gas spring arm
- Max load 8 kg
- Max arm length 486 mm
- VESA 75/100
- Part no
 

438-LC50	Monitor arm, silver
438-LC50W	Monitor arm, white
438-LC50B	Monitor arm, black
- Accessories;
 

438-EA102	Grommet bracket
-----------	-----------------