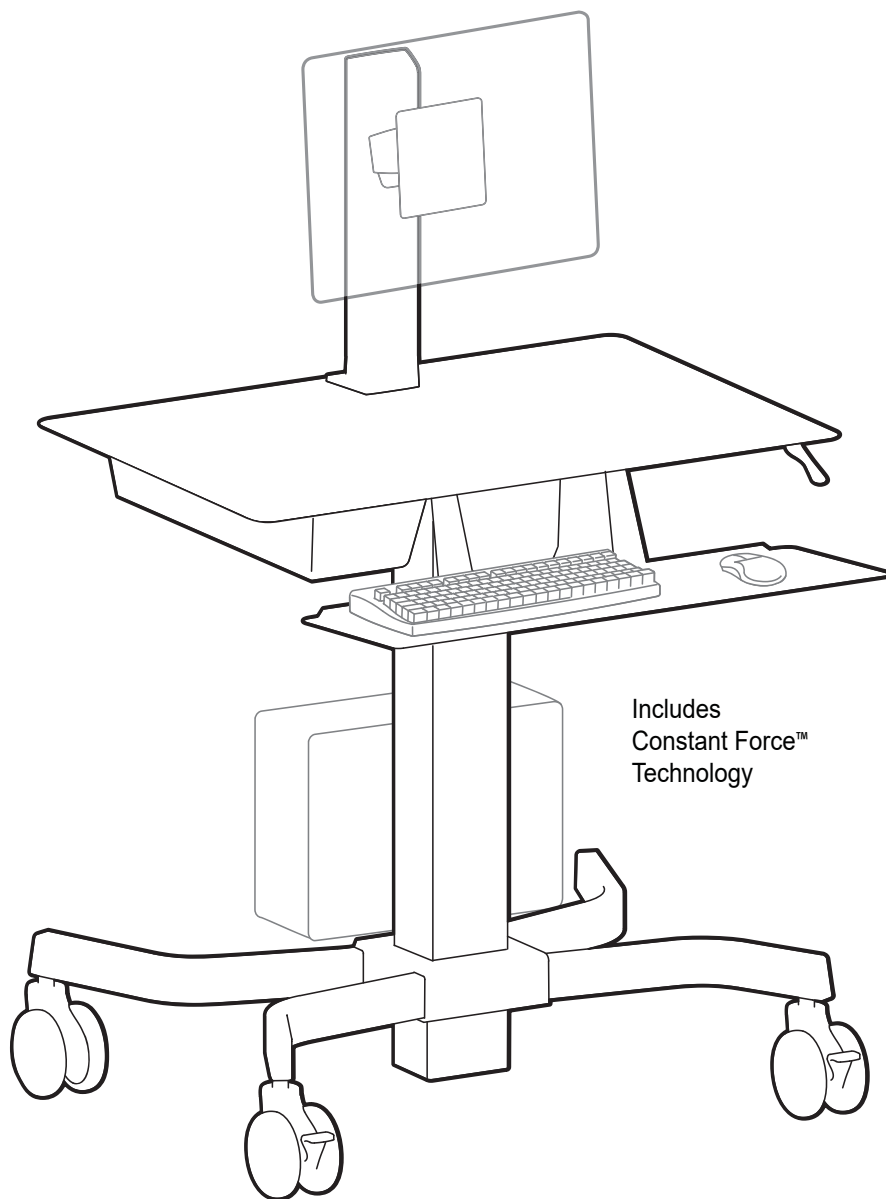


ergotron®

WorkFit™ C Single LCD Mount, LD



English







For the latest User Installation Guide please visit: www.ergotron.com

English, Español, Français, Deutsch, Nederlands, Italiano, Svenska, 日本語, 汉语

www.ergotron.com | USA: 1-800-888-8458 | Europe: +31 (0)33-45 45 600 | China: 400-120-3051 | Japan: japansupport@ergotron.com

Hazard Symbols Review

These symbols alert users of a safety condition that demands attention. All users should be able to recognize and understand the significance of the following Safety Hazards if encountered on the product or within the documentation. Children who are not able to recognize and respond appropriately to Safety Alerts should not use this product without adult supervision!

Symbol	Signal Word	Level of Hazard
	NOTE	A NOTE indicates important information that helps you make better use of this product.
	CAUTION	A CAUTION indicates either potential damage to hardware or loss of data and tells you how to avoid the problem.
	WARNING	A WARNING indicates either potential for property damage, personal injury, or death.
	ELECTRICAL	An Electrical indicates an impending electrical hazard which, if not avoided, may result in personal injury, fire and/or death.

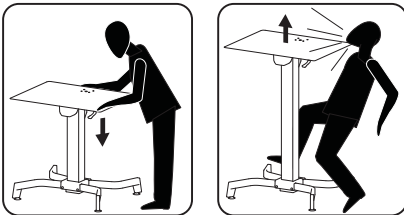
Safety



Important! You will need to adjust this product after installation is complete. Make sure all your equipment is properly installed on the product before attempting adjustments. This product should move smoothly and easily through the full range of motion and stay where you set it. If movements are too easy or difficult or if product does not stay in desired positions, follow the adjustment instructions to create smooth and easy movements. Depending on your product and the adjustment, it may take many turns to notice a difference. Any time equipment is added or removed from this product, resulting in a change in the weight of the mounted load, you should repeat these adjustment steps to ensure safe and optimum operation.

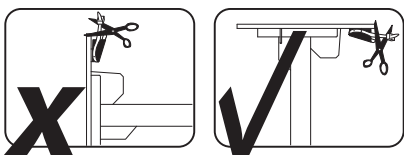
⚠ WARNING

IMPACT HAZARD



MOVING PARTS CAN CRUSH & CUT

Do not remove the zip tie and cardboard spacer which keep the hand brake from disengaging until instructed to in the manual. Removing the zip tie before the cart is unpacked and standing upright may cause unintended motion of the riser. Failure to heed this warning may lead to personal injury or equipment damage.



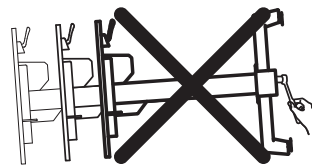
823-130-00

⚠ WARNING

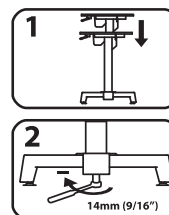
IMPACT HAZARD

Moving Parts Can Crush & Cut

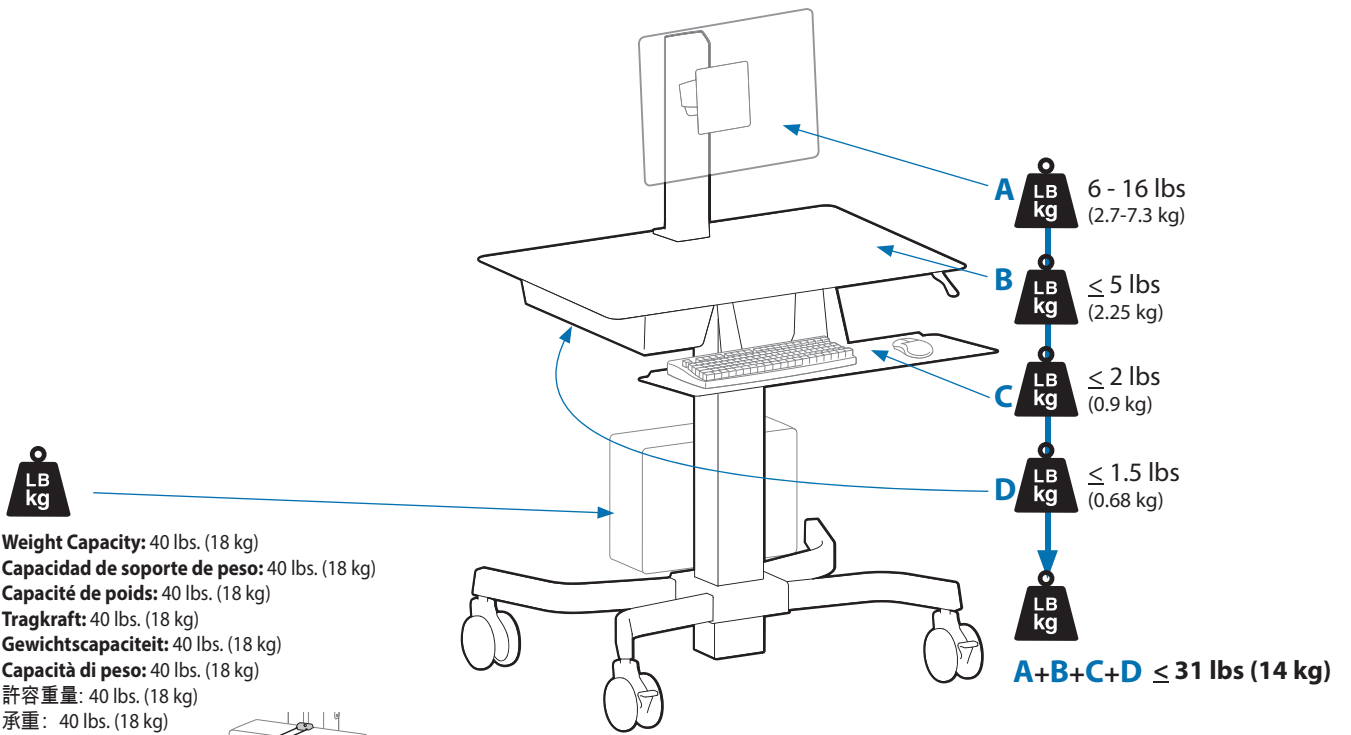
Do not tip the cart over on side. Cart must remain upright at all times. Tipping cart on side may cause unintended motion of the riser. Failure to heed this warning may result in serious personal injury or property damage!



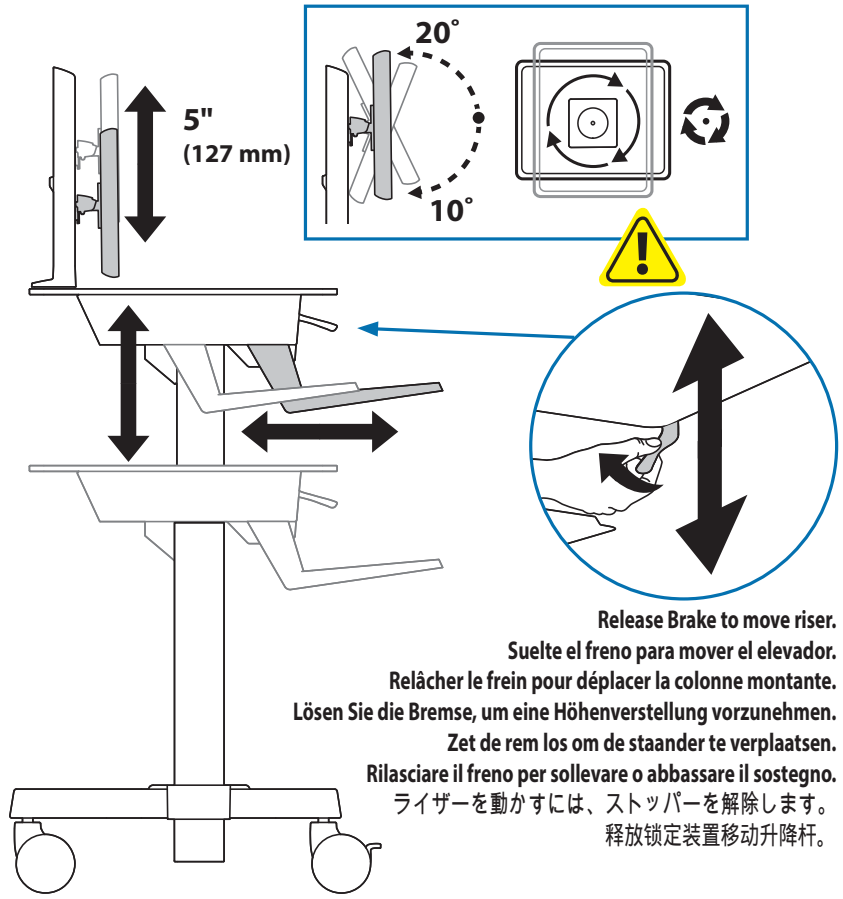
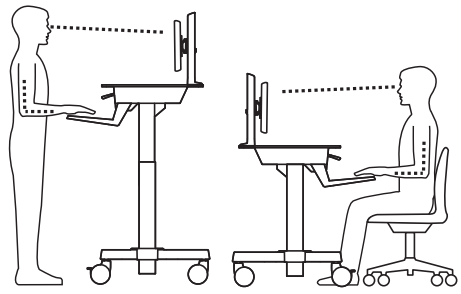
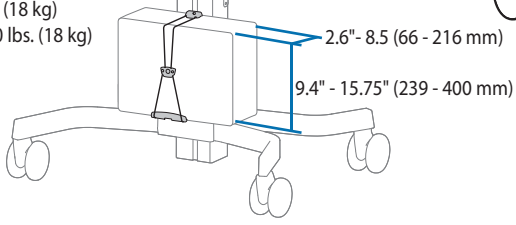
For more information on safe set-up, adjustment and use of this product refer to user manual at www.ergotron.com or contact Ergotron Customer Care at **1-800-888-8458**.



826-153-00



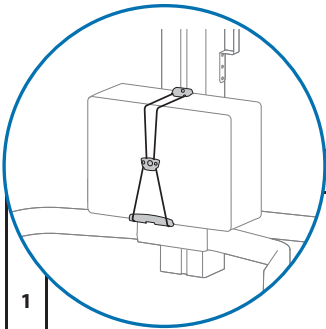
Weight Capacity: 40 lbs. (18 kg)
Capacidad de soporte de peso: 40 lbs. (18 kg)
Capacité de poids: 40 lbs. (18 kg)
Tragkraft: 40 lbs. (18 kg)
Gewichtscapaciteit: 40 lbs. (18 kg)
Capacità di peso: 40 lbs. (18 kg)
 許容重量: 40 lbs. (18 kg)
 承重: 40 lbs. (18 kg)
 허용 중량: 40 lbs. (18 kg)



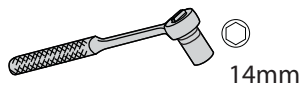
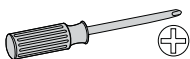
Release Brake to move riser.
Suelte el freno para mover el elevador.
Relâcher le frein pour déplacer la colonne montante.
Lösen Sie die Bremse, um eine Höhenverstellung vorzunehmen.
Zet de rem los om de staander te verplaatsen.
Rilasciare il freno per sollevare o abbassare il sostegno.
 ライザーを動かすには、ストッパーを解除します。
 释放锁定装置移动升降杆。



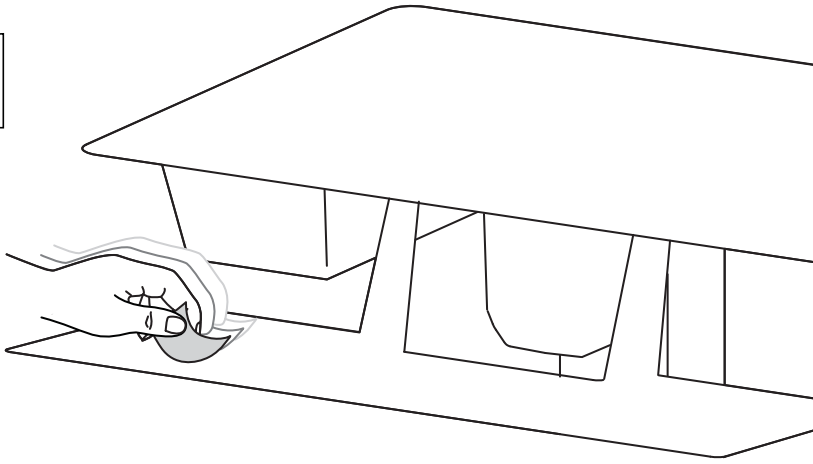
	A	B	C	D
1	1x 	1x 	2x 	1x
2		1x M3 x 6mm	1x 	4x M4 x 10mm
3		1x M5 x 8mm	2x M6 x 16mm	
4		2x M6 x 22mm	4x M4 x 10mm	2x
5		6x M3 x 6mm	2x 	6x



		B	C	D
1	1x 	1x 	4x 4x 	2x
2		1x 	4x M5 x 8mm	1x 5mm 5-sided Security Wrench Llave de seguridad pentagonal Clef Allen de sécurité Fünfkant-Inbusschlüssel 5-kantige veiligheidssleutel Chiave pentagonale di sicurezza 5角固定用レンチ 5角安全扳手 5면 Security Wrench(안전 렌치)
3		2x 	1x M5 x 22mm	

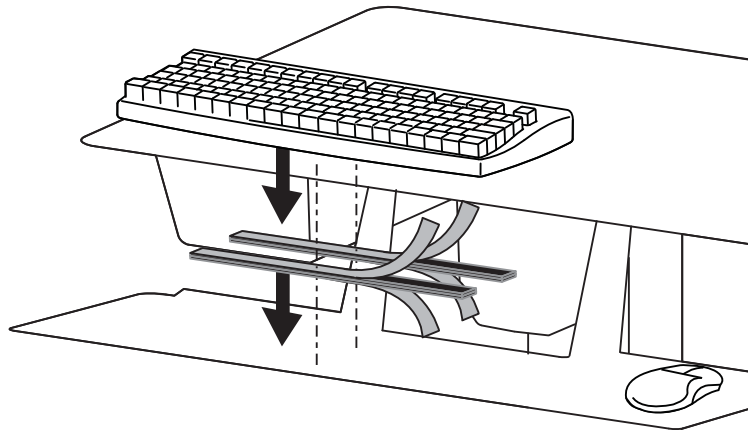


1 1x

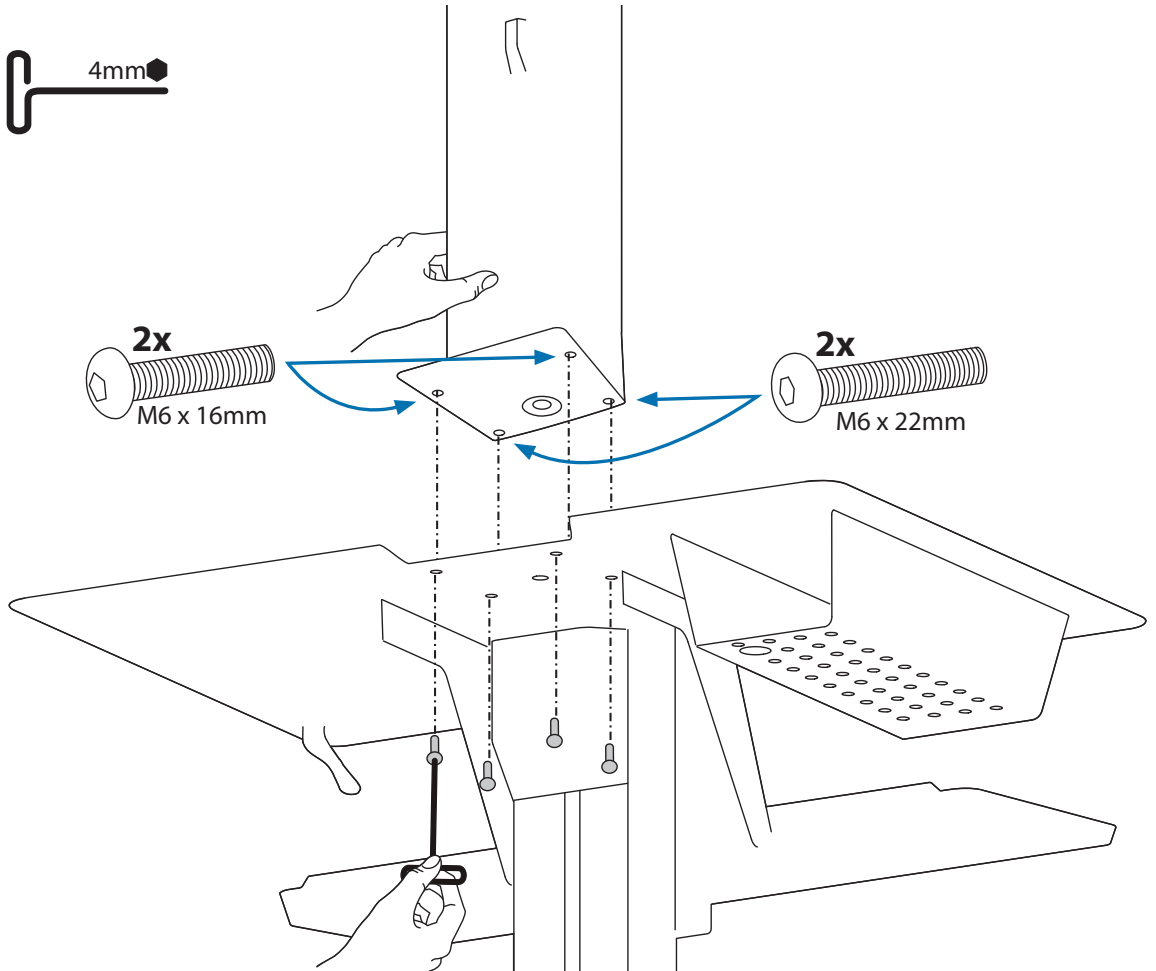
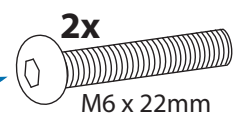
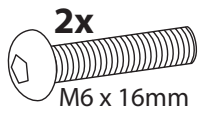
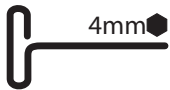
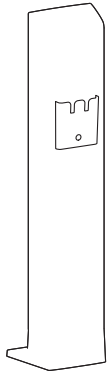


2

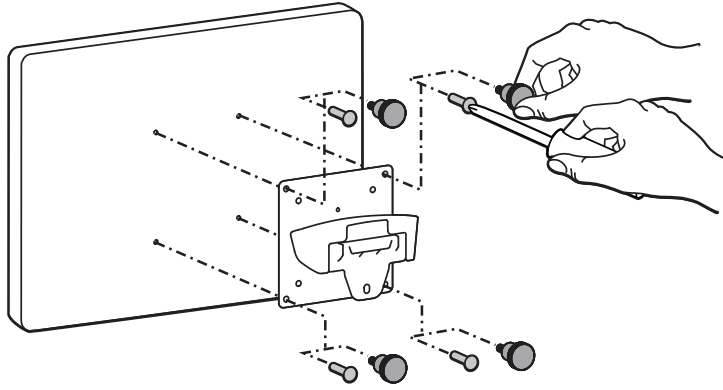
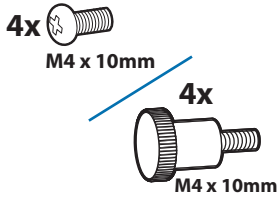
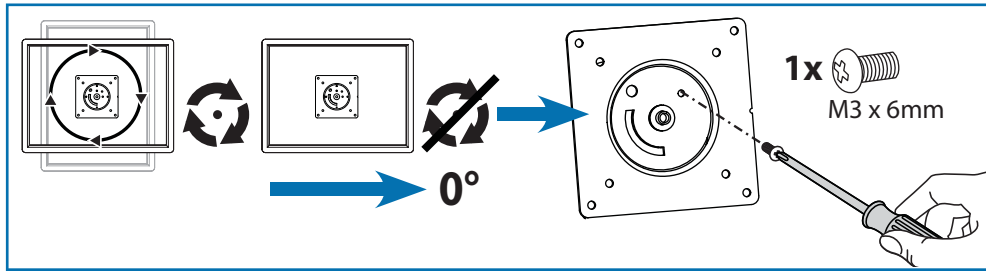
2x



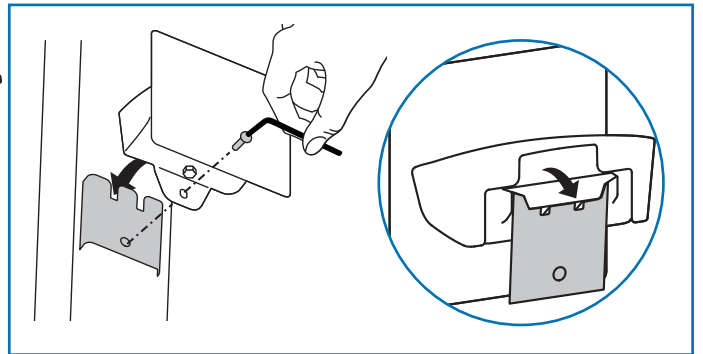
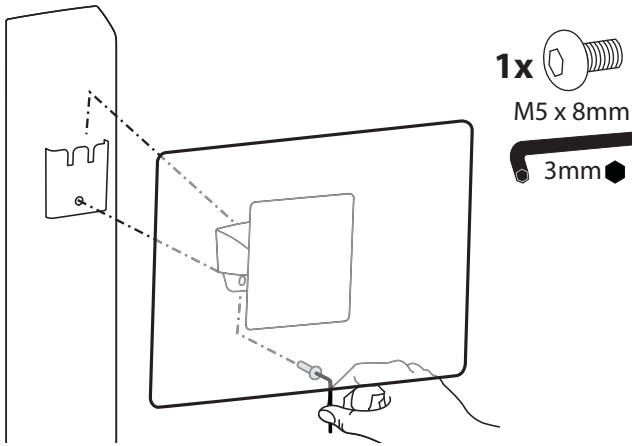
3



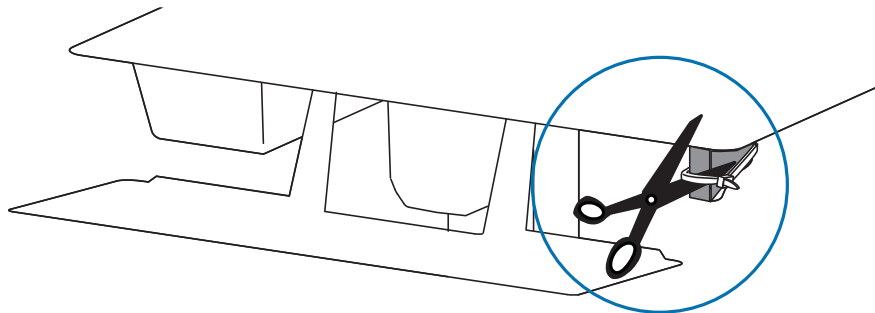
4



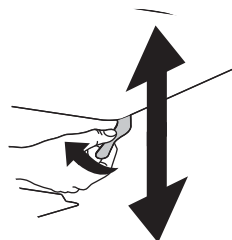
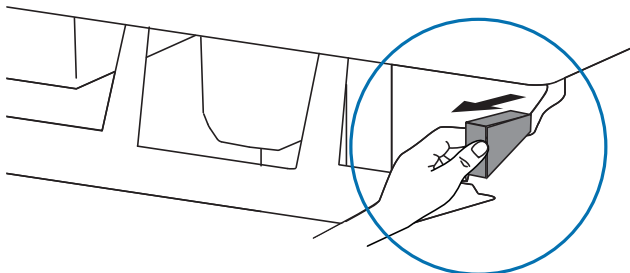
5



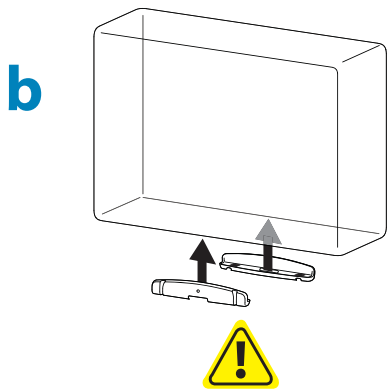
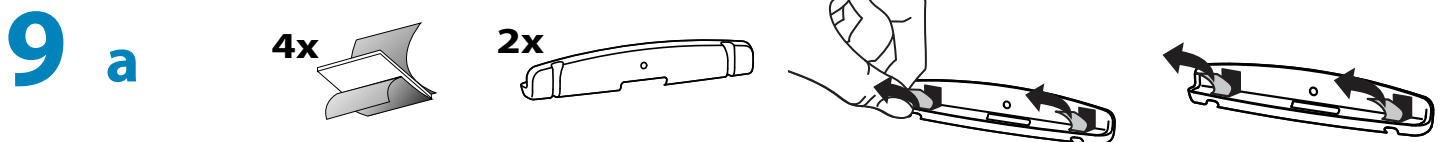
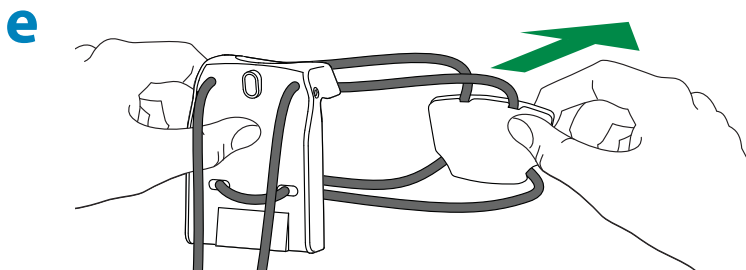
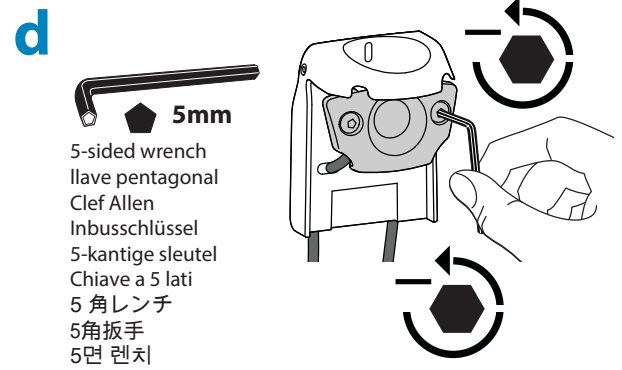
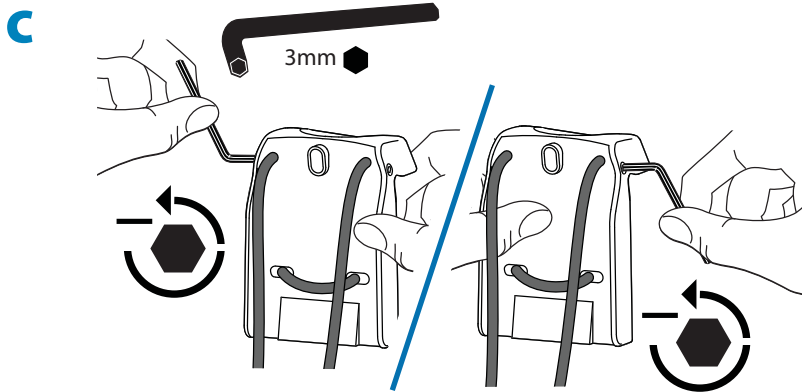
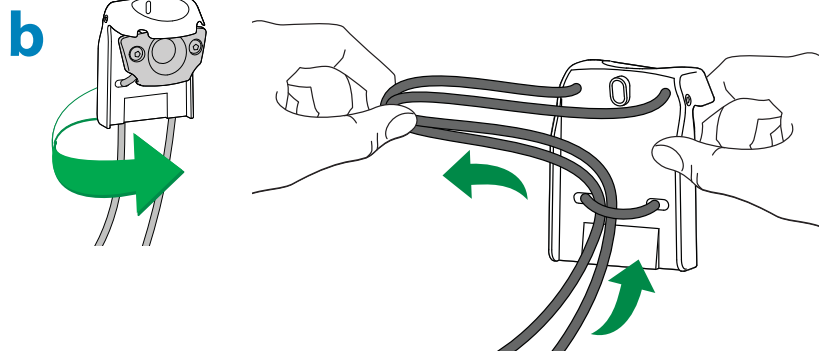
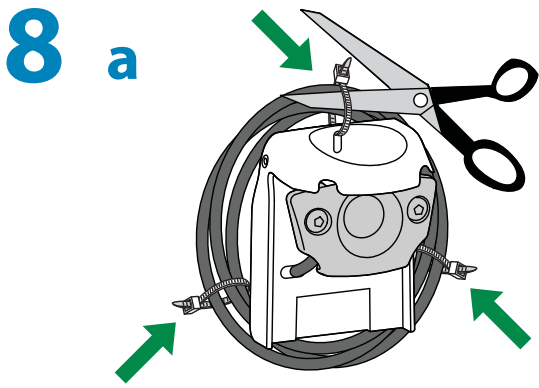
6



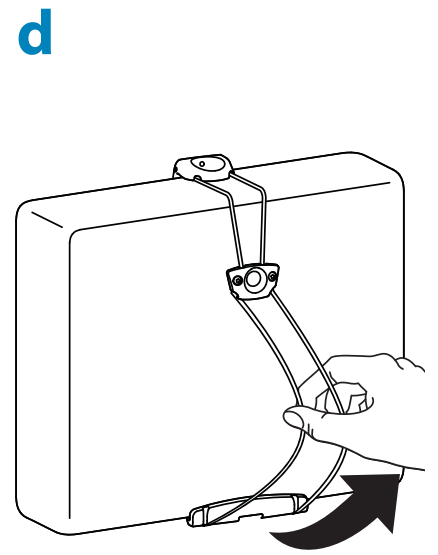
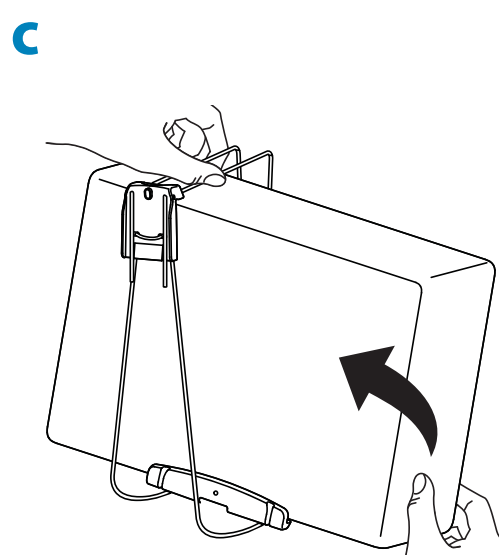
7



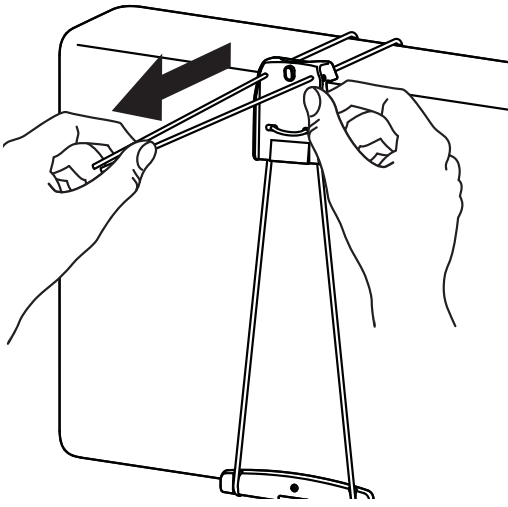
Release Brake to move riser.
Suelte el freno para mover el elevador.
Relâcher le frein pour déplacer la colonne montante.
Lösen Sie die Bremse, um eine Höhenverstellung vorzunehmen.
Zet de rem los om de staander te verplaatsen.
Rilasciare il freno per sollevare o abbassare il sostegno.
ライザーを動かすには、ストッパーを解除します。
释放锁定装置移动升降杆。



NOTE: Center on bottom
 NOTA: Centre por la parte inferior
 REMARQUE: centrer la partie inférieure
 HINWEIS: Richten Sie die Geräte mittig aus.
 OPMERKING: Centren op onderkant
 NOTA: Centrare nella parte inferiore.
 OBS: Mitten på underdelen
 注：下部の中央
 注意：底部居中

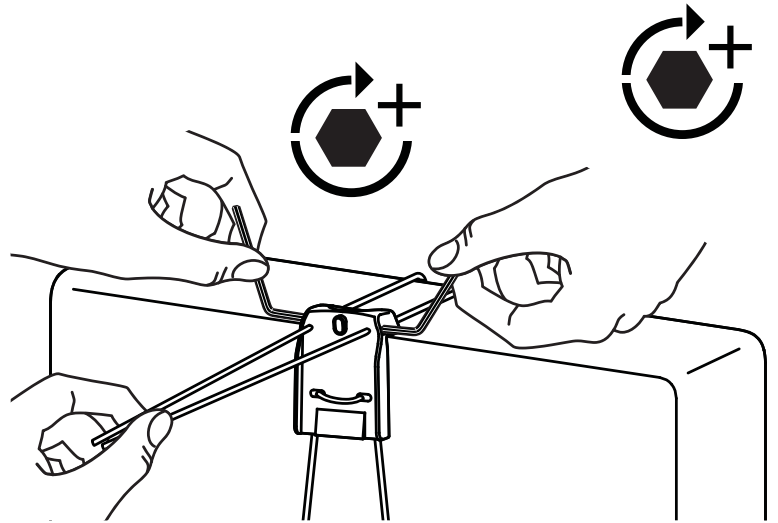


10 a



b

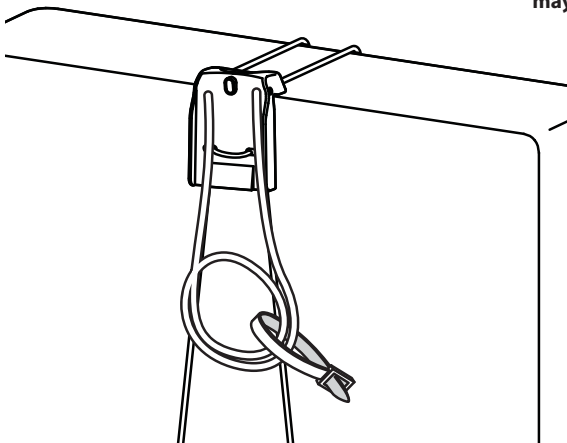
3mm



c



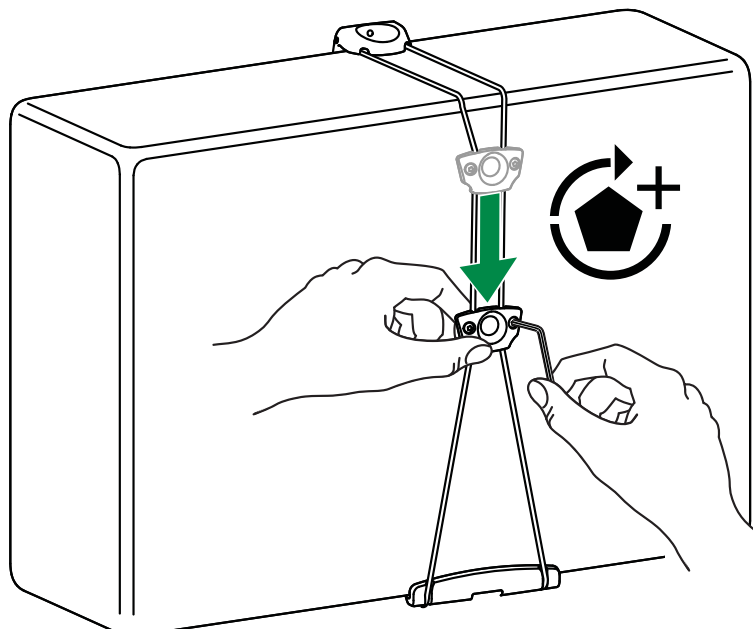
CAUTION: Do Not over tighten fasteners. Over-tightening may cause damage to fasteners.



11

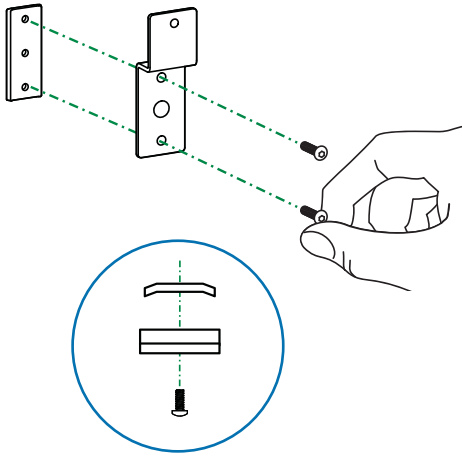


5mm
5-sided wrench
llave pentagonal
Clef Allen
Inbusschlüssel
5-kantige sleutel
Chiave a 5 lati
5角レンチ
5角扳手
5면 렌치

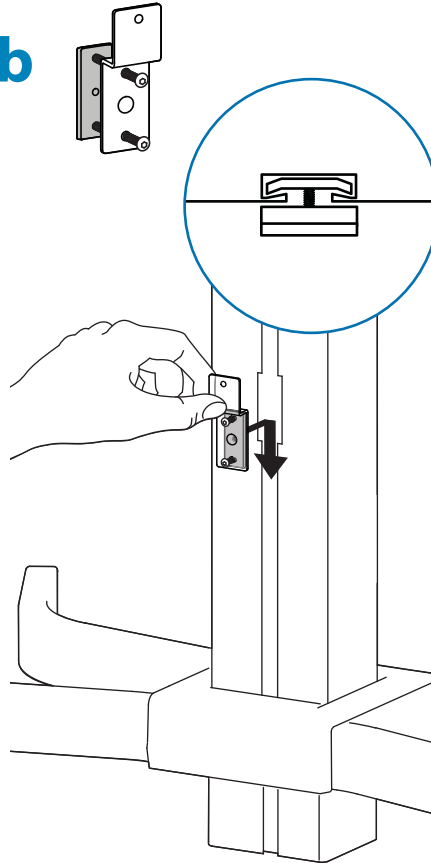


12

a 2x
M5 x 8mm



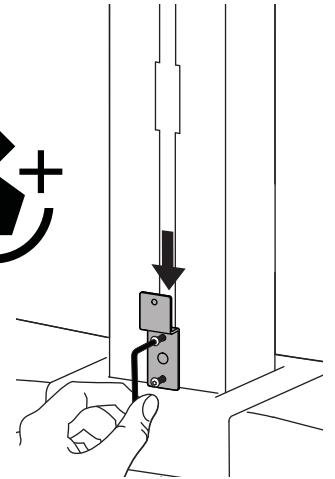
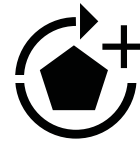
b



c

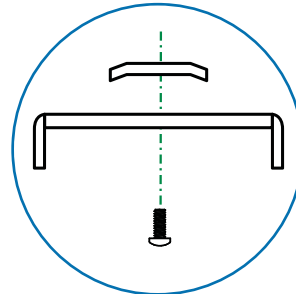
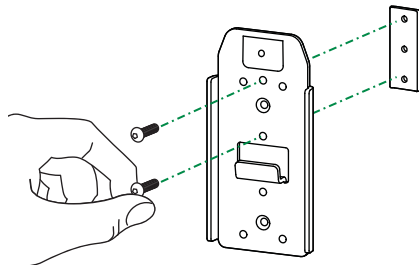


5-sided wrench
llave pentagonal
Clef Allen
Inbusschlüssel
5-kantige sleutel
Chiave a 5 lati
5角レンチ
5角扳手
5면 렌치



13

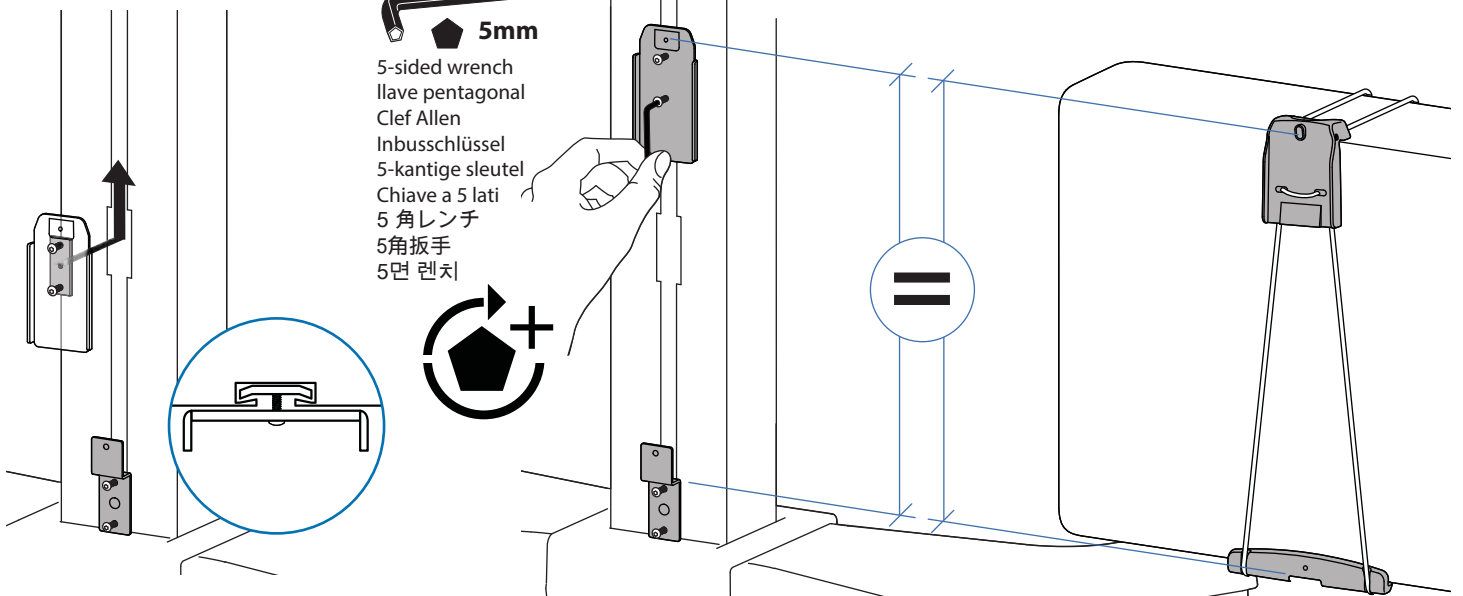
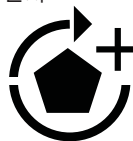
a 2x
M5 x 8mm



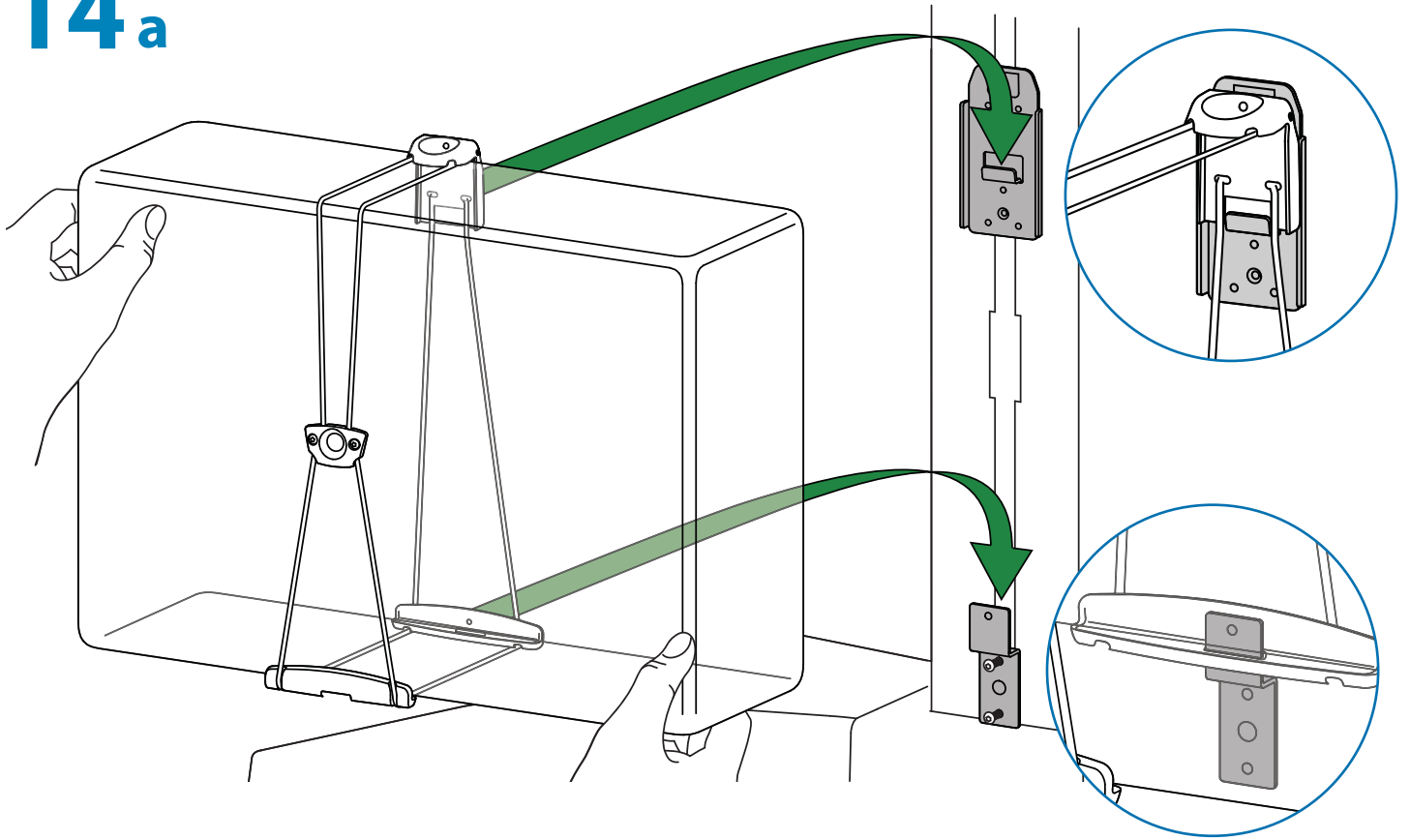
b




5-sided wrench
llave pentagonal
Clef Allen
Inbusschlüssel
5-kantige sleutel
Chiave a 5 lati
5角レンチ
5角扳手
5면 렌치



14a

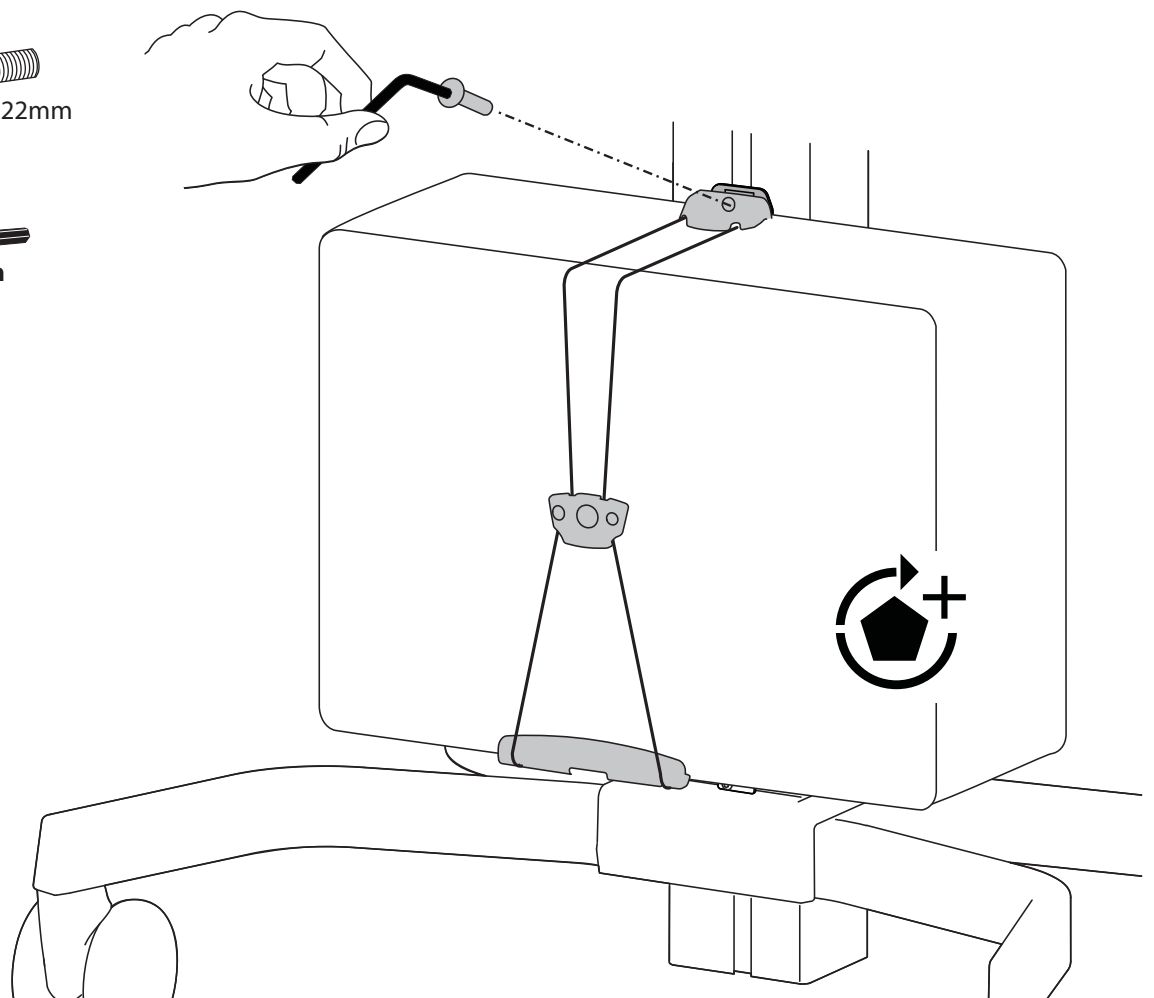


b

1x 
M5 x 22mm

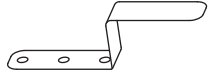
 5mm

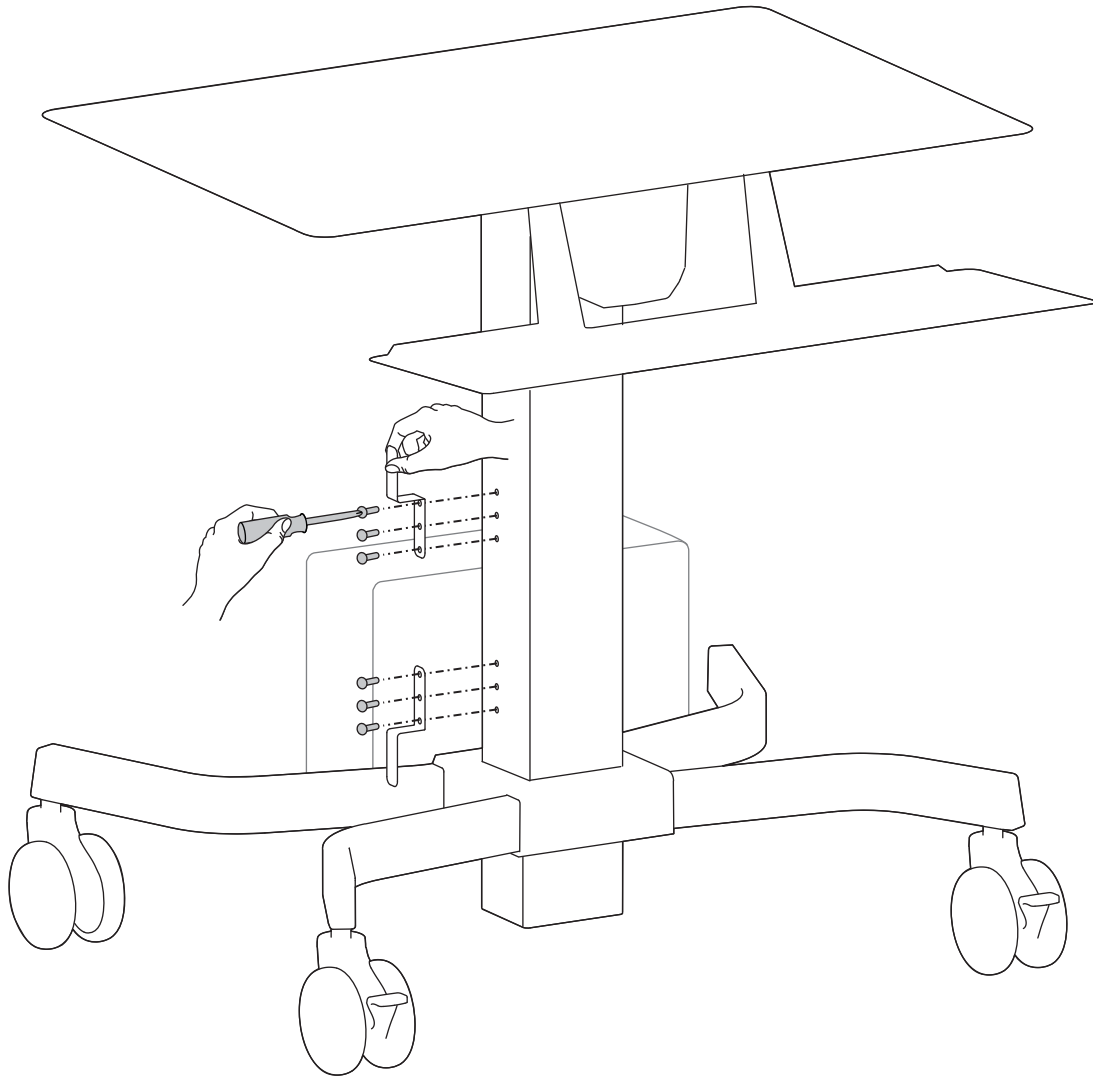
5-sided wrench
llave pentagonal
Clef Allen
Inbusschlüssel
5-kantige sleutel
Chiave a 5 lati
5角レンチ
5角扳手
5면 렌치



15

6x 
M3 x 6mm

2x 



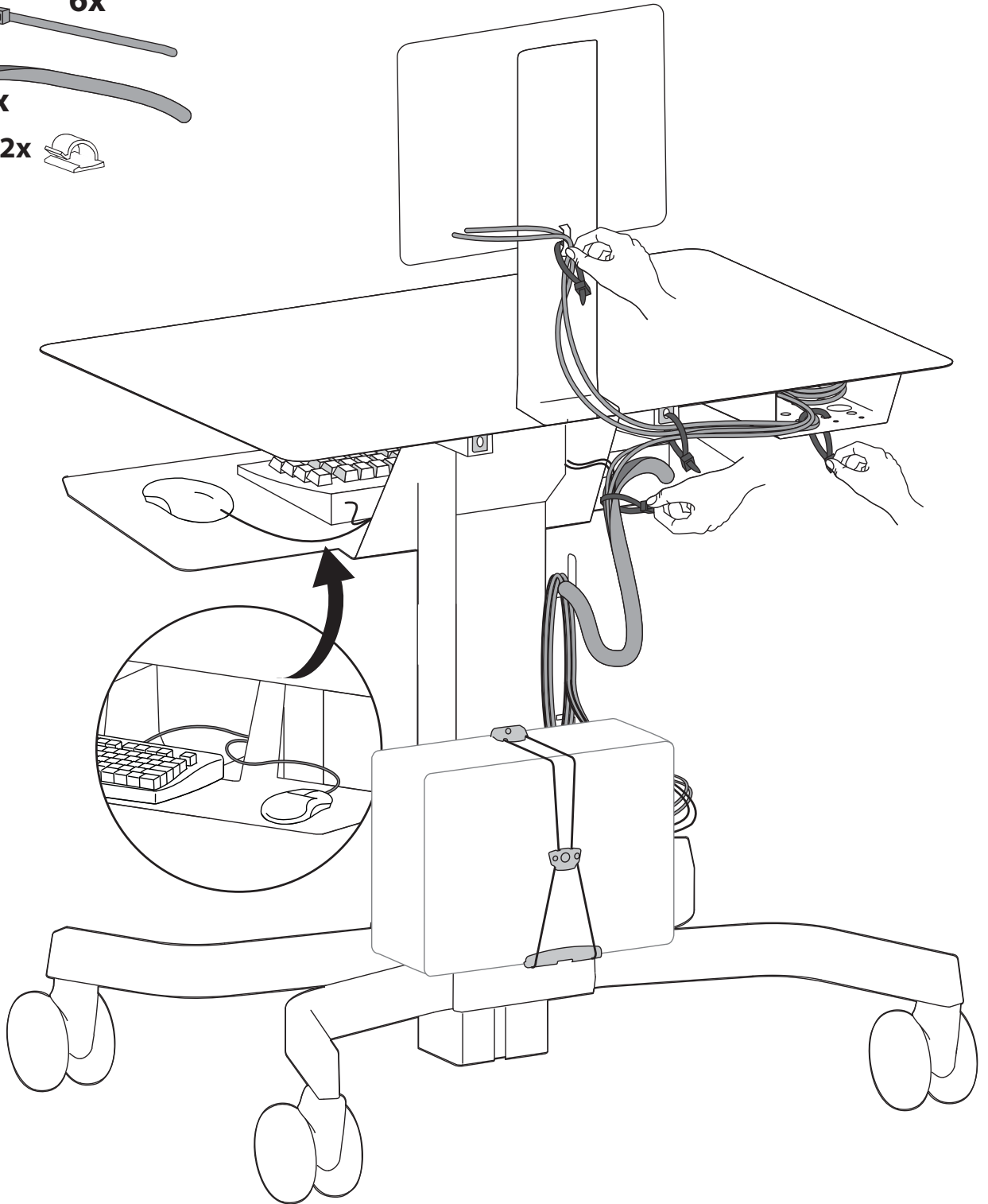
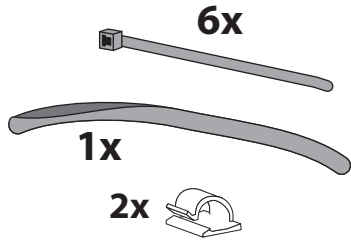
16



NOTE: Leave enough slack in cable to allow full range of motion.

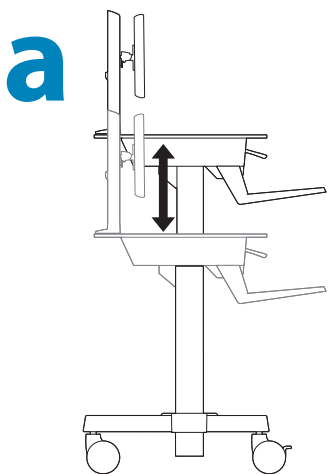


Caution: To avoid the potential to pinch cables it is important to follow the cable routing instructions in this manual. Failure to follow these instructions may result in equipment damage or personal injury.



17 Adjustment Step

Important! You will need to adjust this product after installation is complete. Make sure all your equipment is properly installed on the product before attempting adjustments. This product should move smoothly and easily through the full range of motion and stay where you set it. If movements are too easy or difficult or if product does not stay in desired positions, follow the adjustment instructions to create smooth and easy movements. Depending on your product and the adjustment, it may take many turns to notice a difference. Any time equipment is added or removed from this product, resulting in a change in the weight of the mounted load, you should repeat these adjustment steps to ensure safe and optimum operation.



Increase Lift Strength

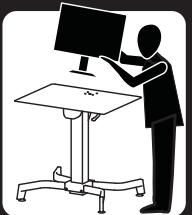

If the mounted weight is too heavy or this product does not stay up when raised, then you'll need to increase Lift Strength:



Decrease Lift Strength

If the mounted weight is too light or this product does not stay down when lowered, then you'll need to decrease Lift Strength:

⚠ WARNING
IMPACT HAZARD






Moving Parts Can Crush And Cut!
Minimize Lift Tension BEFORE:


- Removing Mounted Equipment
- Shipping Cart or Storing Cart

To Minimize Lift Tension

1. With cart upright, lower worksurface to lowest position.
2. Turn adjustment nut at bottom of riser counterclockwise until it stops (Adjustment may require 40-60 revolutions).

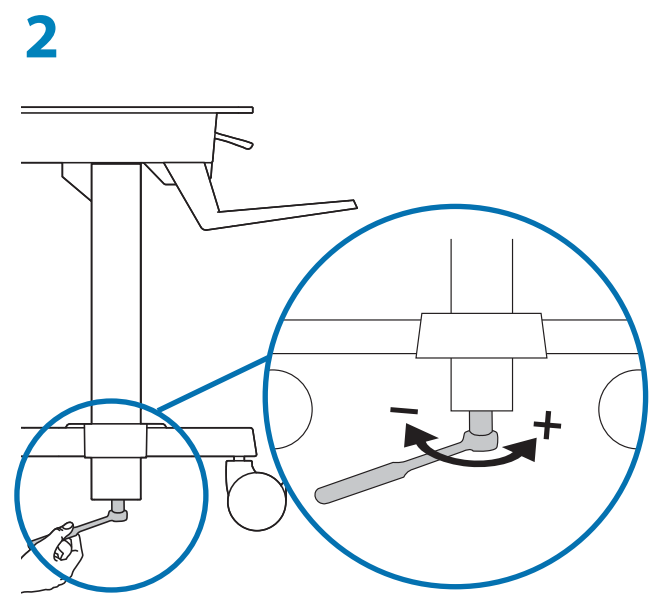
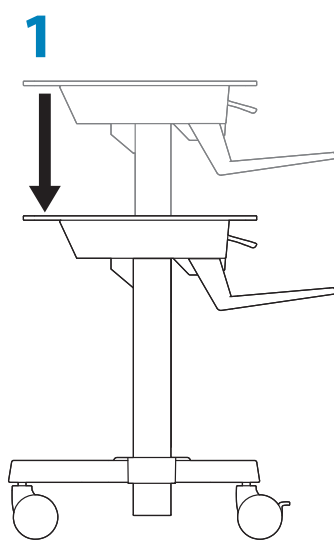
Failure to heed this warning may result in serious personal injury or property damage!



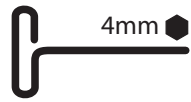
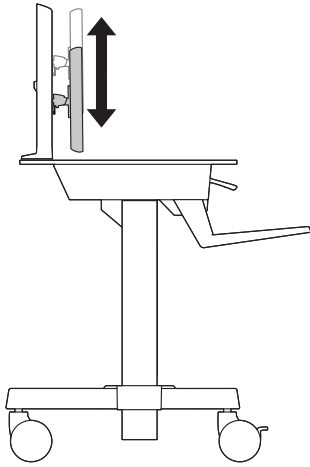
Cart Must Remain Upright! Tipping Cart On Side May Cause the Work Surface to Disengage Causing Serious Personal Injury and Property Damage.

For More information and instructions refer to product guide at www.ergotron.com or contact Ergotron Customer Care at 1-800-888-8458.

826-152-00



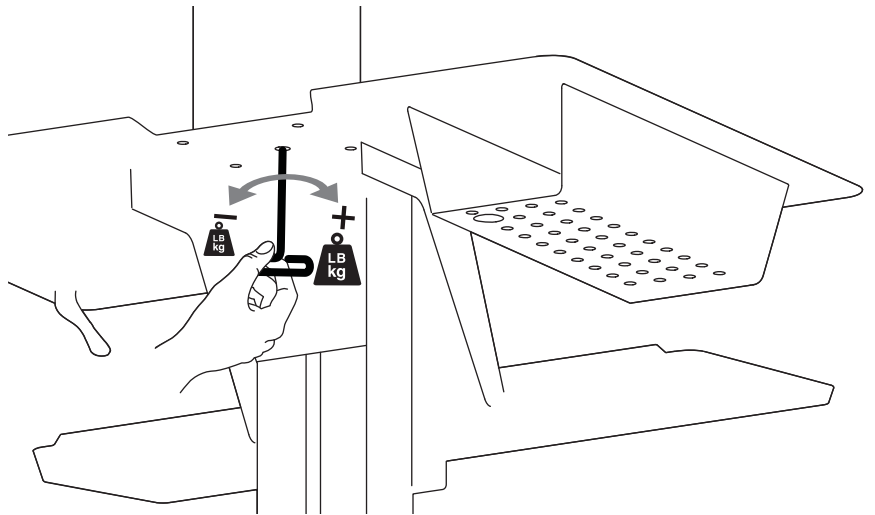
b



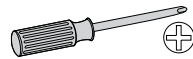
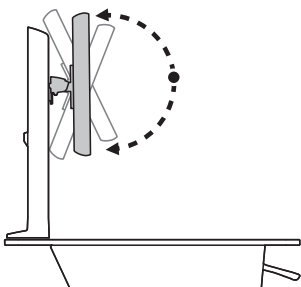
Increase Lift Strength
If the mounted weight is too heavy or this product does not stay up when raised, then you'll need to increase Lift Strength:



Decrease Lift Strength
If the mounted weight is too light or this product does not stay down when lowered, then you'll need to decrease Lift Strength:



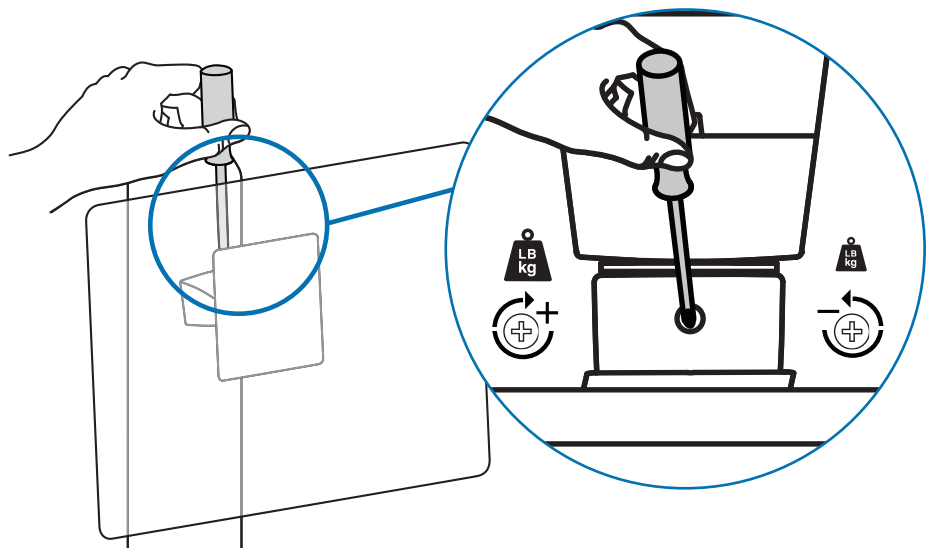
c

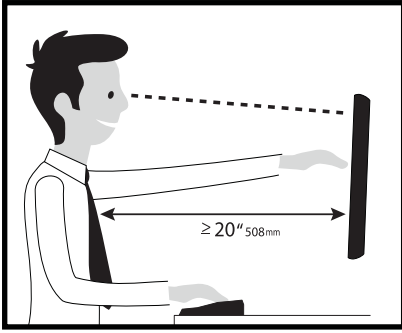


Increase Friction
If this product moves too easily, then you'll need to increase friction:



Decrease Friction
If this product is too difficult to move, then you'll need to decrease friction:





Learn more about ergonomic computer use at: www.ergotron.com/ergonomics

ergotron®

For Warranty visit: www.ergotron.com/warranty

For Service visit: www.ergotron.com

For local customer care phone numbers visit: <http://contact.ergotron.com>

www.ergotron.com | USA: 1-800-888-8458 | Europe: +31 (0)33-45 45 600 | China: 400-120-3051 | Japan: japansupport@ergotron.com

© 2015 Ergotron, Inc. All rights reserved. WorkFit™ is a registered trademark of Ergotron, Inc.

While Ergotron, Inc. makes every effort to provide accurate and complete information, it will not be held liable for any editorial errors or omissions (including those made in the process of translation from English to another language), or for incidental, special or consequential damages of any nature resulting from furnishing this instruction and performance of equipment in connection with this instruction. Ergotron, Inc. reserves the right to make changes in the product design and/or product documentation without notification to its users. For the most current product information, or to know if this document is available in languages other than those herein, please contact Ergotron. No part of this publication may be reproduced, stored in a retrieval system, or transmitted in any form or by any means, electronic, mechanical, photocopying, recording or otherwise without the prior written consent of Ergotron, Inc., 1181 Trapp Road, Eagan, Minnesota, 55121, USA Patents Pending and Patented U.S. & Foreign. Ergotron is a registered trademark of Ergotron, Inc.