

HEATIT Z-SMOKE MULTISENSOR

BATTERY

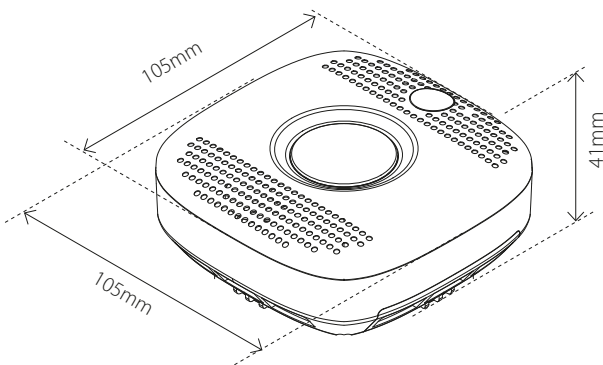
-multifunctional smoke detector



The Heatit Z-Smoke Multisensor is a multifunctional smoke sensor for smart home systems. With its powerful features, the sensor is designed to protect the family from potential fire hazards. With its compact and streamlined design, the Heatit Z-Smoke Multisensor blends effortlessly with your home decor and gives you extra security.

The Heatit Z-Smoke Multisensor is designed to provide the sensor with more features and capabilities. Therefore, you can use optional additional features such as a built-in PIR motion sensor and temperature sensor. Heatit Z-Smoke Multisensor has a built-in PIR motion sensor. You can choose to use it to create custom scenes to light up the hallway in the middle of the night or help users save energy. The built-in emergency light gives you visual alarms and alerts.

The Heatit Z-Smoke Multisensor uses a cutting-edge reflective photoelectric sensor in conjunction with an advanced microprocessor to deliver optimum performance by detecting developing fires and heat generation. When it comes to security, there is no room for compromise.



PRODUCT INFO Heatit Z-Smoke Multisensor



FEATURES

- Multifunctional smoke detector
- Battery
- Smoke detector
- Temperature sensor
- Motion sensor
- Serial connection possible with Heatit Z-Smoke Detector 230VAC (max 6 pcs)
- Built-in emergency lighting
- Low battery alert
- Button to silence unwanted alarms
- Tamper switch
- Firmware update (OTA)
- Supports encryption mode S0, S2 Unauthenticated Class

This product is a security-enabled Z-Wave Plus product with encryption. The product must be used with a security-enabled Z-Wave Controller in order to fully utilize the product.

TECHNICAL DATA

| | |
|-------------------------|----------------------------------|
| Protocol | Z-Wave |
| Chip | Z-Wave 500 chip |
| Battery | 3 x CR123A 3V batteries |
| Battery life | ~2.8 years |
| Temperature sensitivity | ±1°C |
| Alarm | 85dB at 3 meters distance |
| Smoke sensor | Photoelectric |
| Ambient temperature | 5°C to 40°C |
| Humidity | Max. 85% RH |
| Range, PIR | Up to 5m at 3m mounting height |
| IP Code | IP 20 |
| Size (LxWxH) | 105mm x 105mm x 41mm |
| Approvals | Z-Wave Plus, CE EN-14604:2005 |

MAINTENANCE

The product should be tested regularly. Vacuum or blow the dust off the smoke detector regularly. Replace the battery as needed. The smoke detector must be replaced every 10 years.

WARRANTY

2 years

| ART. NO. | PRODUCT | FREQUENCY |
|-----------|------------------------------------|-------------|
| 45 126 88 | Heatit Z-Smoke Multisensor Battery | EU 868.4MHz |

The product is also available in other Z-Wave frequency versions on request.

