



RAZER CORE X CHROMA

MASTER GUIDE

CONTENTS

1. PACKAGE CONTENTS / SYSTEM REQUIREMENTS.....	2
2. LET'S GET YOU COVERED.....	3
3. EXPLORING YOUR EXTERNAL GRAPHICS ENCLOSURE.....	4
4. SETTING UP YOUR RAZER CORE X CHROMA.....	6
5. INSTALLING RAZER SYNAPSE 3 FOR YOUR RAZER CORE X CHROMA.....	14
6. CONFIGURING YOUR RAZER CORE X CHROMA VIA RAZER SYNAPSE 3.....	15
7. SAFETY AND MAINTENANCE.....	23
8. LEGALESE.....	24

1. PACKAGE CONTENTS / SYSTEM REQUIREMENTS

PACKAGE CONTENTS

- Razer Core X Chroma external graphics enclosure
- Thunderbolt™ 3 (USB-C) cable
- Power cord*
- Important Product Information Guide

**May include power cords for specific regions.*

SYSTEM REQUIREMENTS

HARDWARE

- PC or Mac with Thunderbolt™ 3 external graphics support
- Windows® 10 64-bit RS5 / macOS High Sierra 10.13.4 (or higher)
- Razer Core X Chroma compatible PCI-E graphics card
- Thunderbolt™ Software for Windows

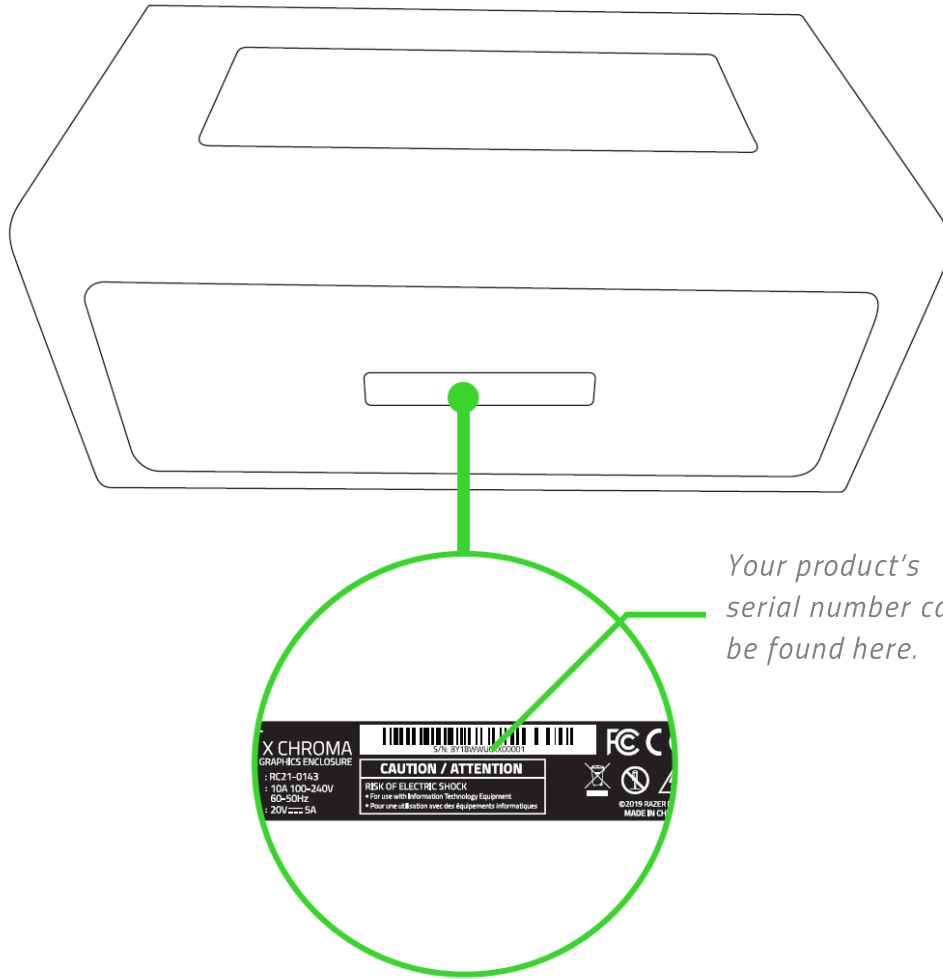
RAZER SYNAPSE 3

- Windows® 10 64-bit (or higher)
- Internet connection
- 500 MB of free hard disk space

 Visit rzd.to/core-x for compatibility information; and to download the latest driver and firmware updates.

2. LET'S GET YOU COVERED

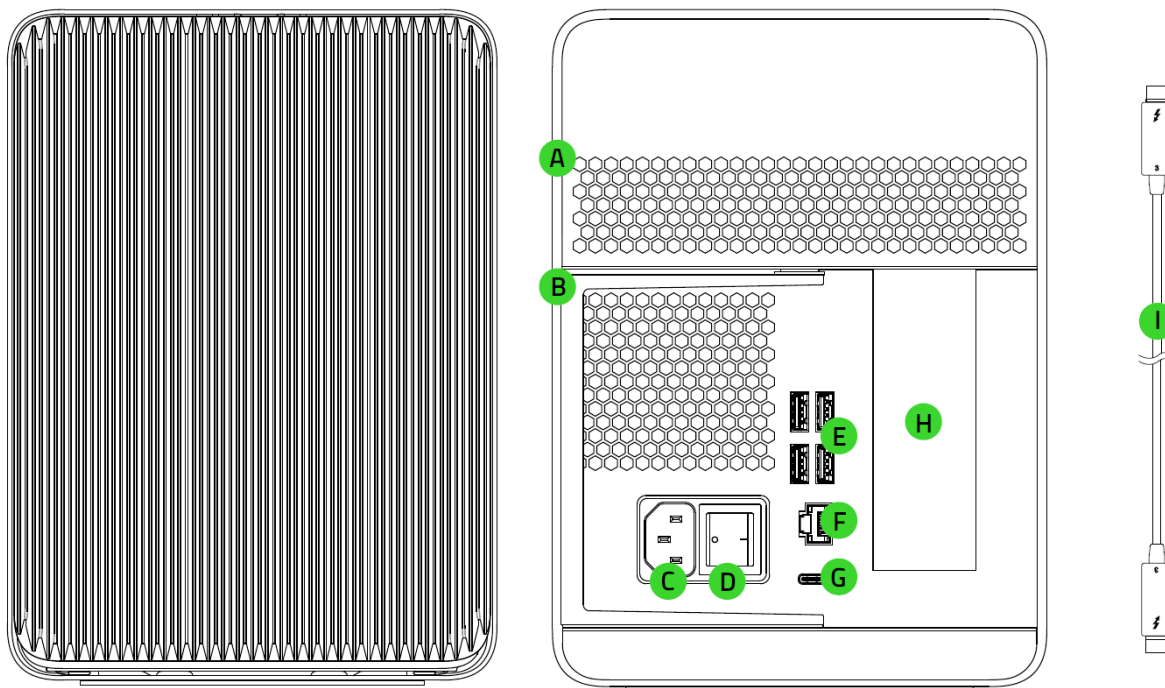
You've got a great device in your hands, complete with a 1-year limited warranty coverage. Now maximize its potential and score exclusive Razer benefits by registering at razerid.razer.com



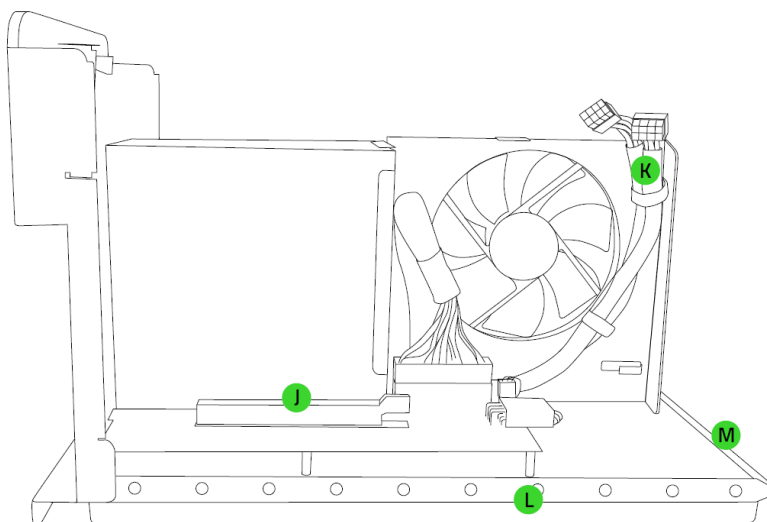
Your product's serial number can be found here.

Got a question? Ask the Razer Support Team at support.razer.com

3. EXPLORING YOUR EXTERNAL GRAPHICS ENCLOSURE



- A. Exhaust port
- B. Compartment release lever
- C. Power port
- D. Power Switch
- E. USB 3.1 ports
- F. Gigabit Ethernet port
- G. Thunderbolt 3 (USB-C) port
- H. PCI-E slot cover
- I. Thunderbolt 3 (USB-C) cable

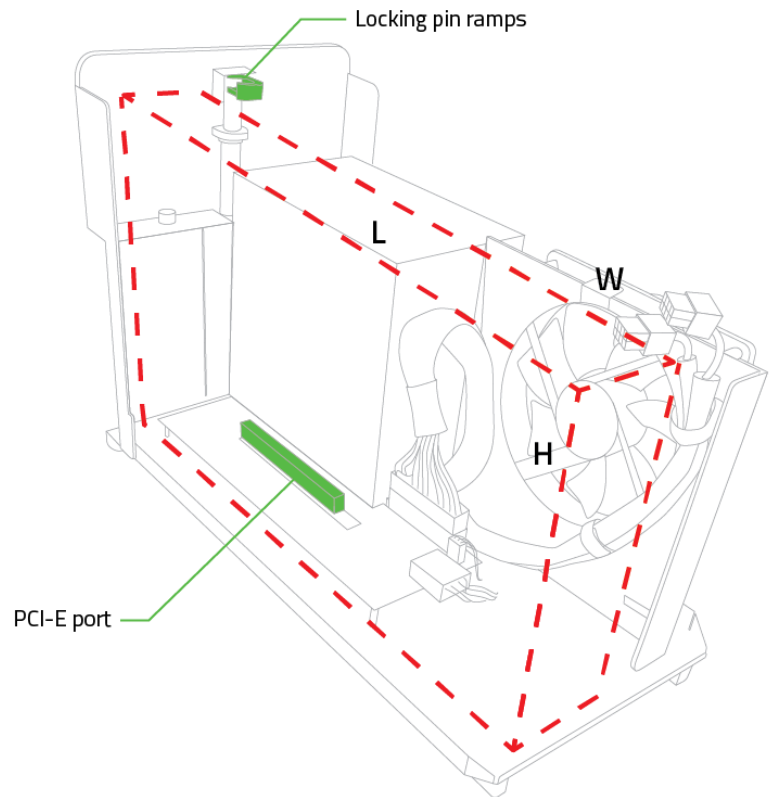


- J. PCI-E port
- K. 6+2-pin power connectors
- L. Razer Chroma internal lighting
- M. Razer Chroma underglow lighting

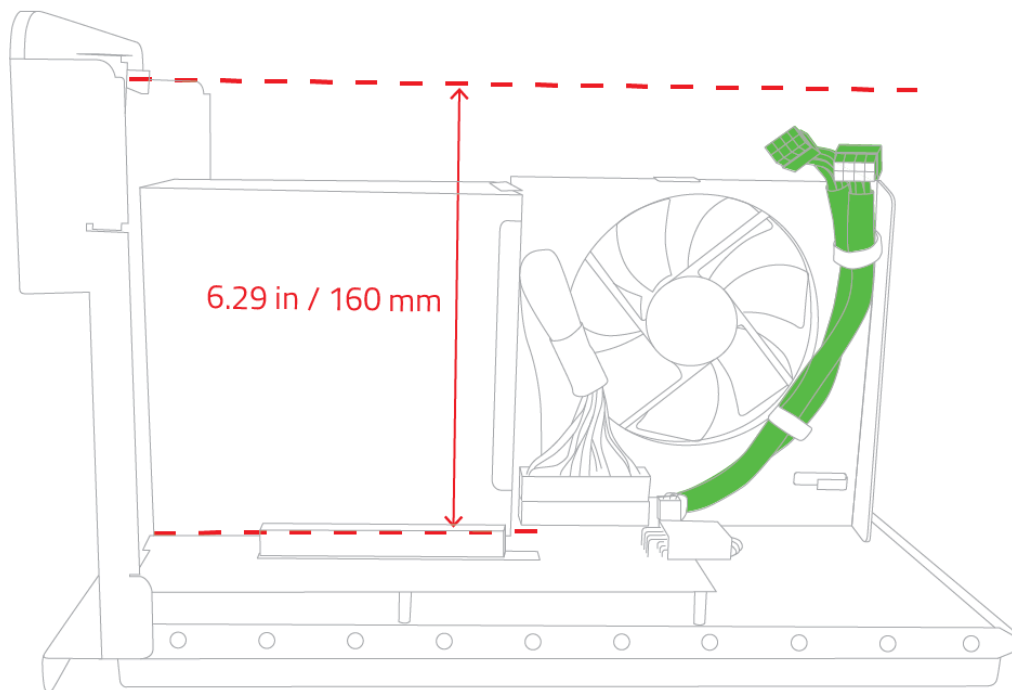
MAX INNER DIMENSIONS:

- Length: 12.99 in / 330 mm
- Height: 6.29 in / 160 mm
- Width: 2.36 in / 60 mm

i Height is measured from the top of the PCI-E port to the bottom of the locking pin ramps.



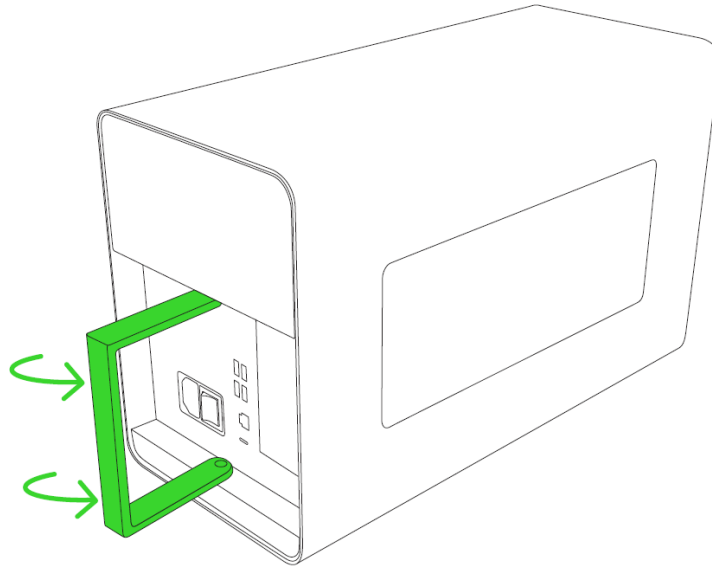
Ensure that there is enough space for the 6+2-pin power connectors



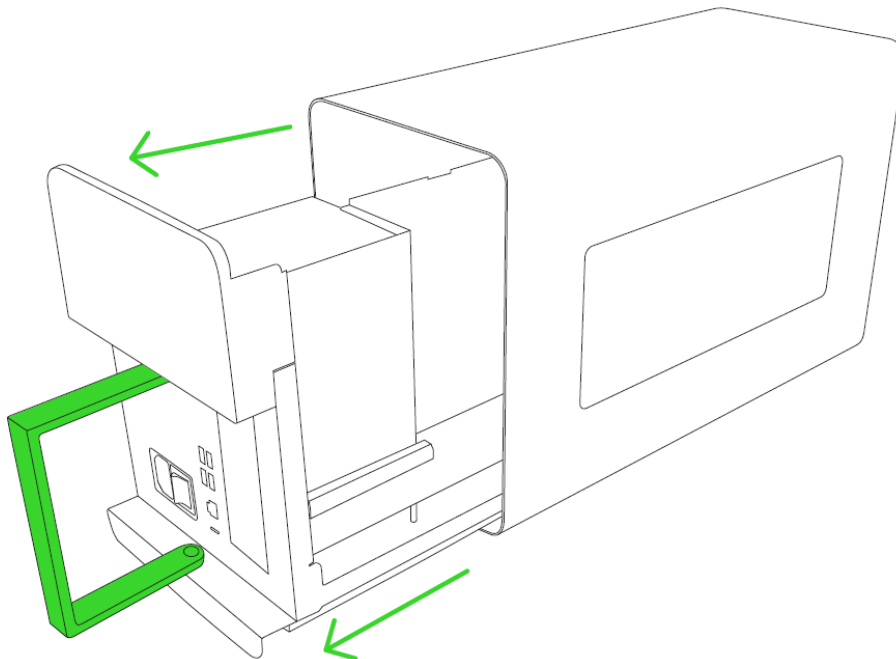
4. SETTING UP YOUR RAZER CORE X CHROMA

i *WARNING: When installing or replacing a graphics card, make sure that the Razer Core X Chroma is switched off and unplugged from a power outlet to avoid electric shocks.*

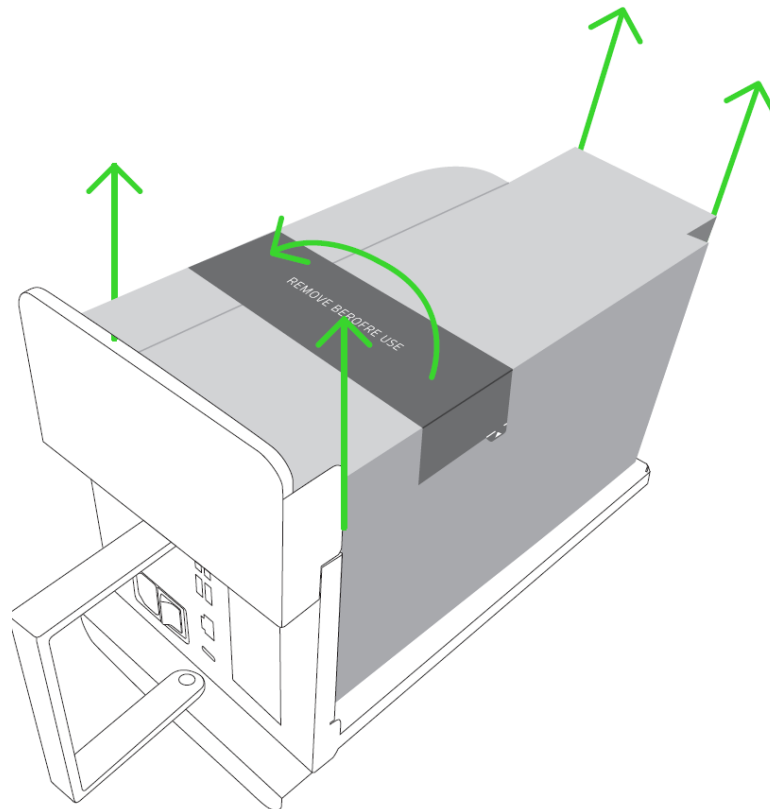
1. Gently pull the lever to unlock.



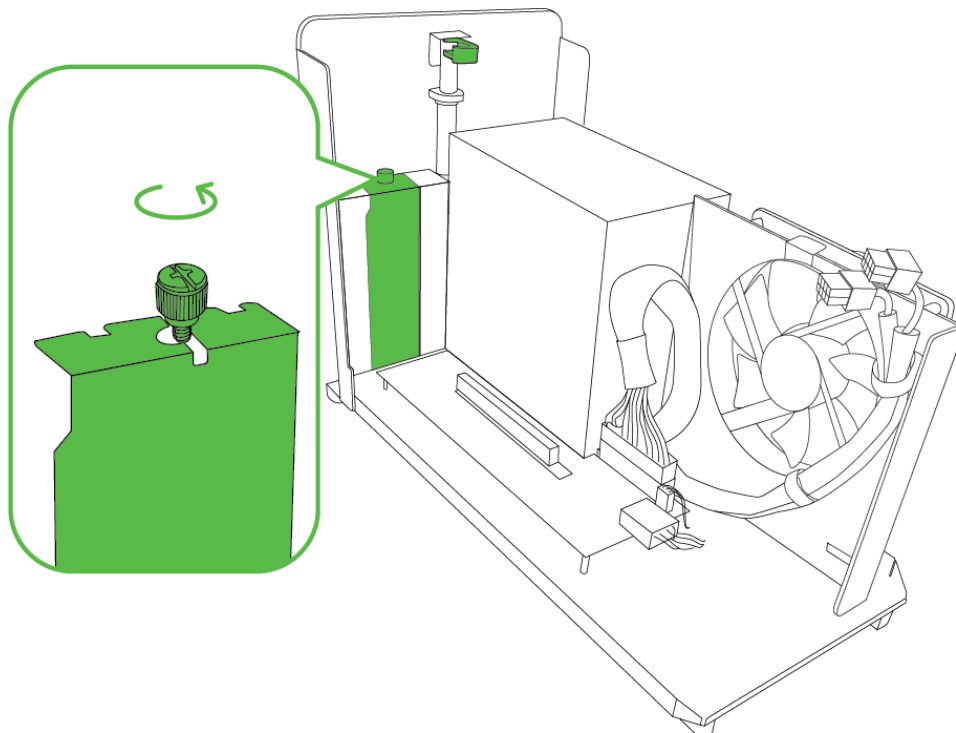
2. Pull out the compartment from the enclosure.



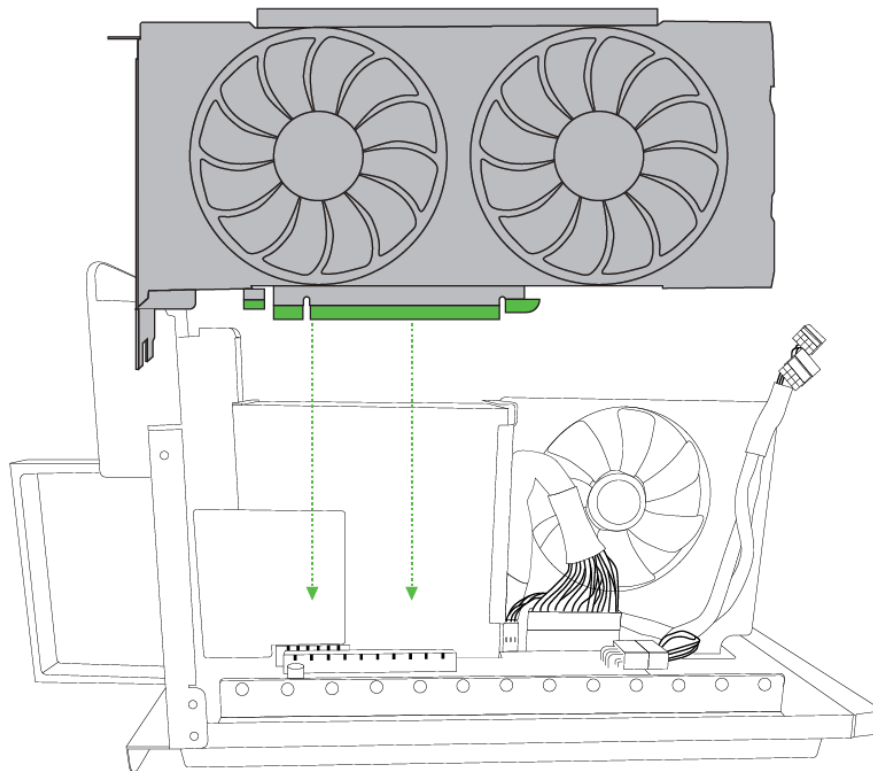
3. Peel off the tape and remove the protective foam.



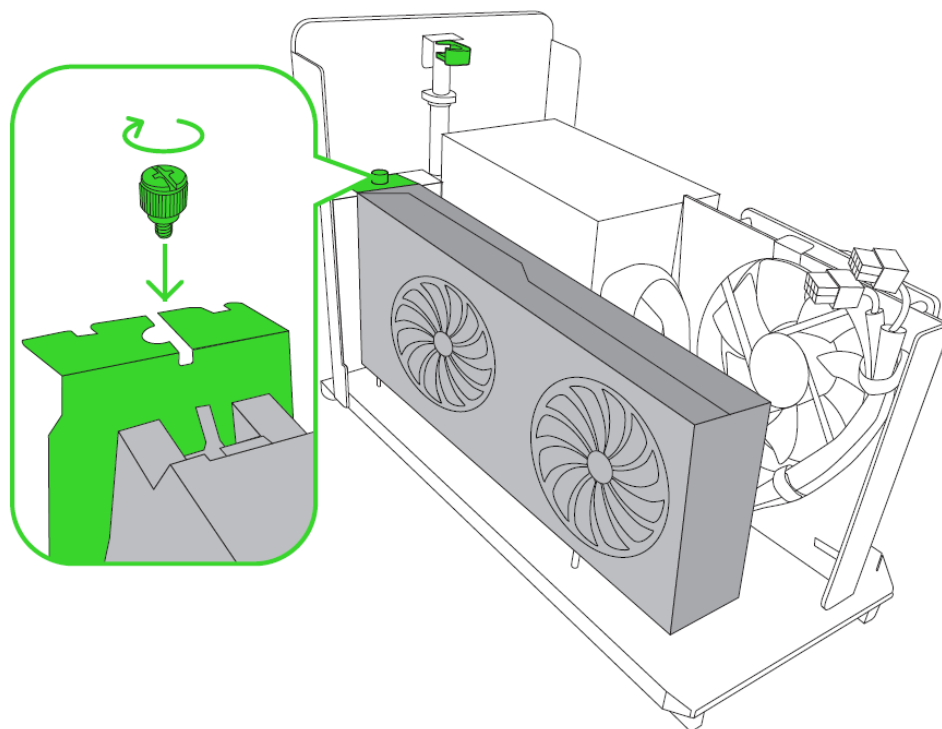
4. Remove the PCI-E slot cover and thumbscrew.



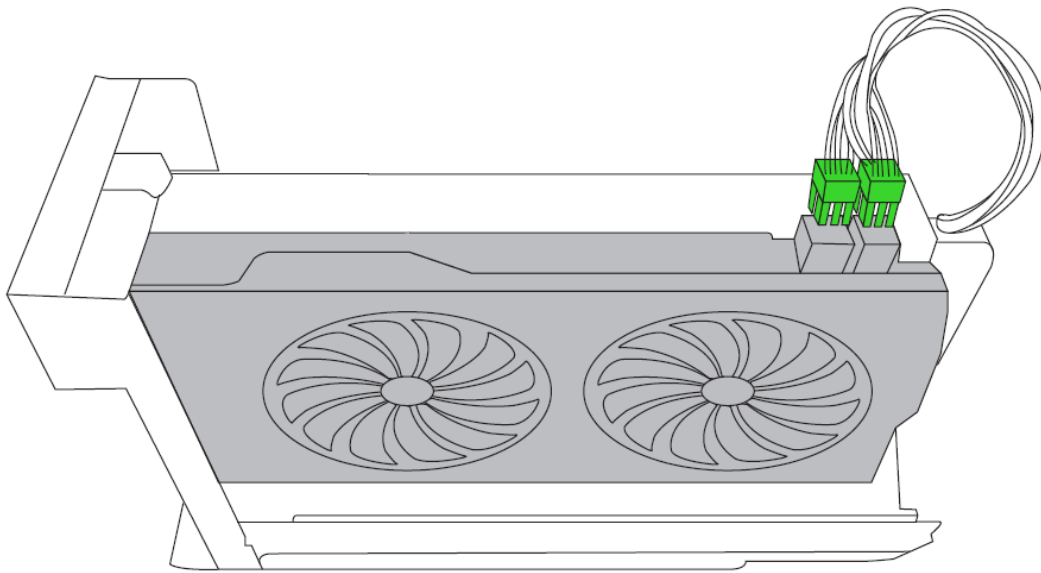
5. Insert your compatible graphics card (not included) to the PCI-E port.



6. Re-insert the PCI-E thumbscrew.

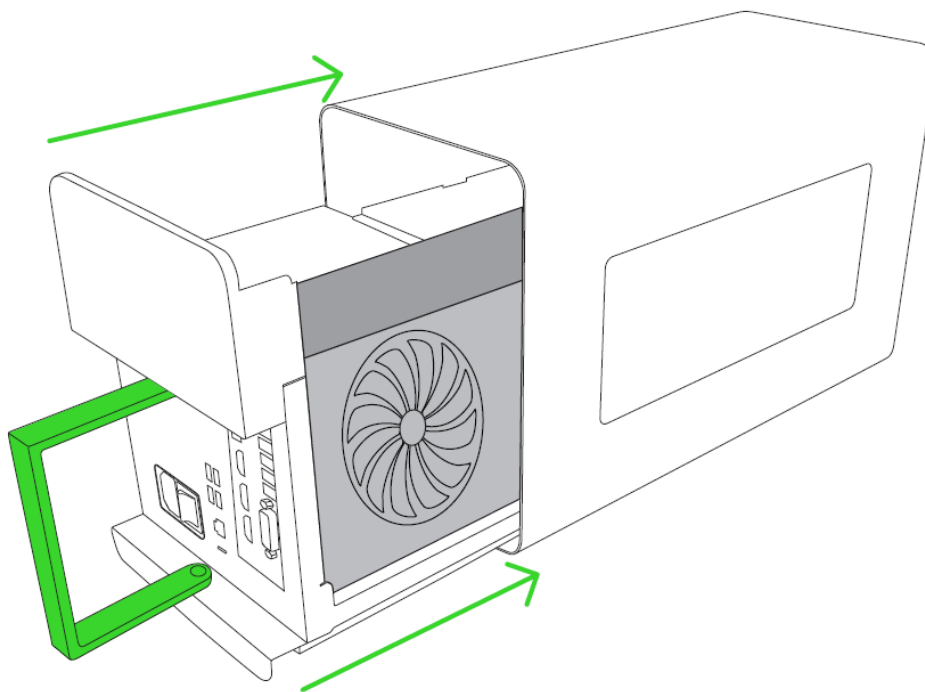


7. Plug the 6+2-pin power connectors to your graphics card.

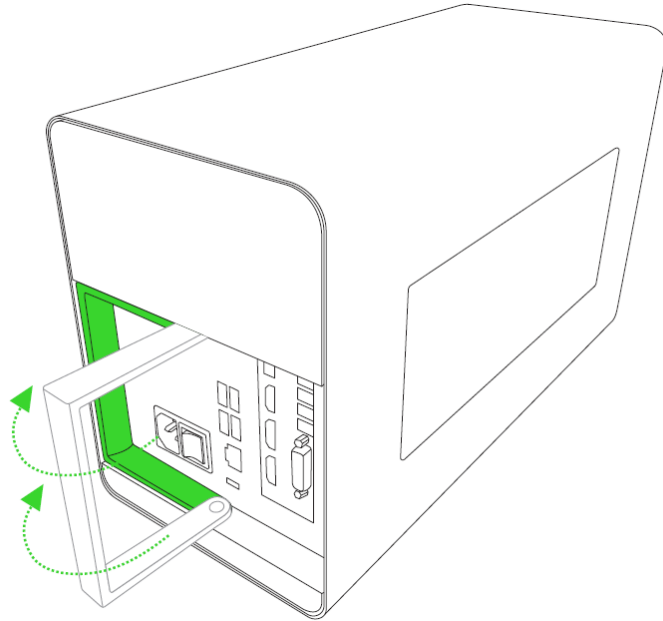


i Make sure that the power cables are kept away from the fan. You may use the cable straps inside the device to manage these cables as preferred.

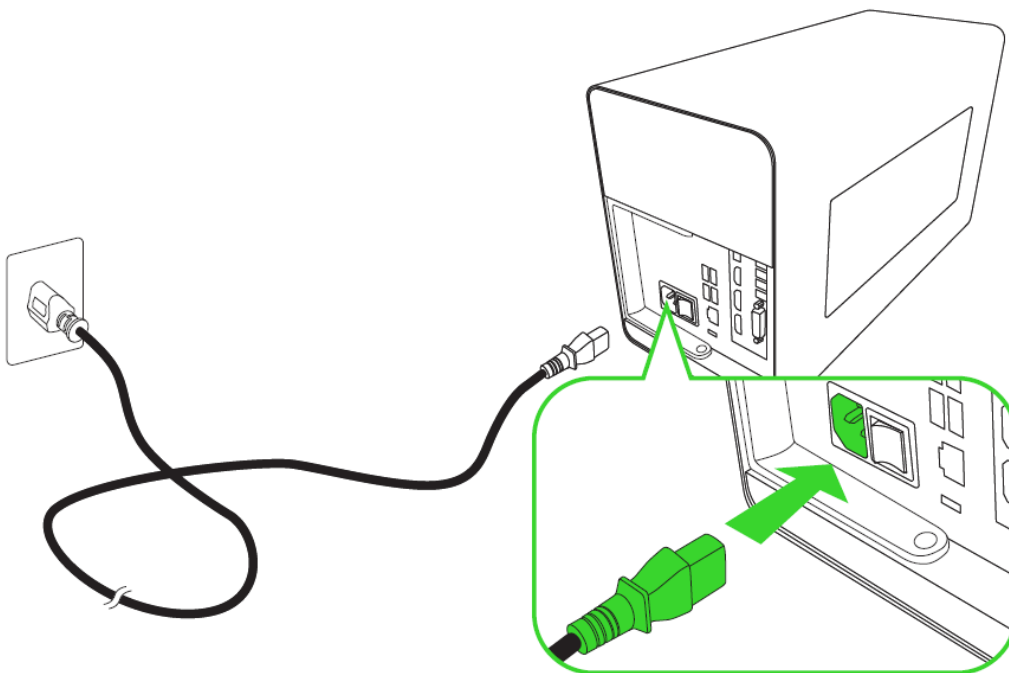
8. Push the compartment into the enclosure until completely shut.



9. Push the lever to lock the compartment.

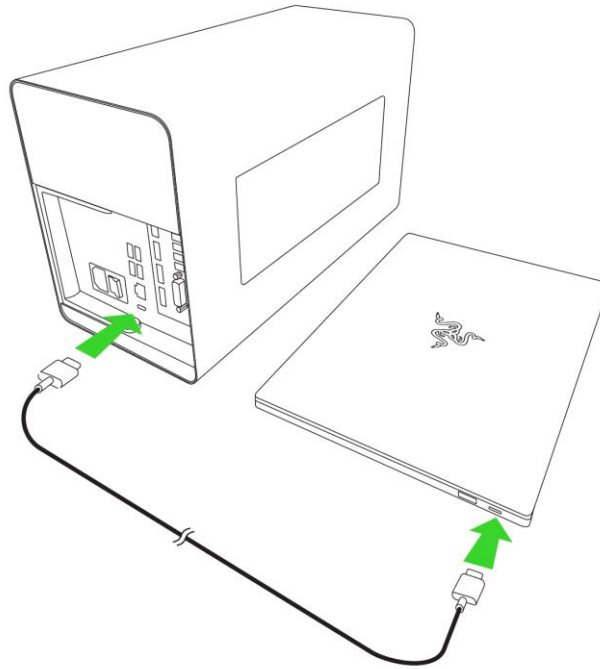


10. Connect the Razer Core X Chroma to a power outlet using the power cord.



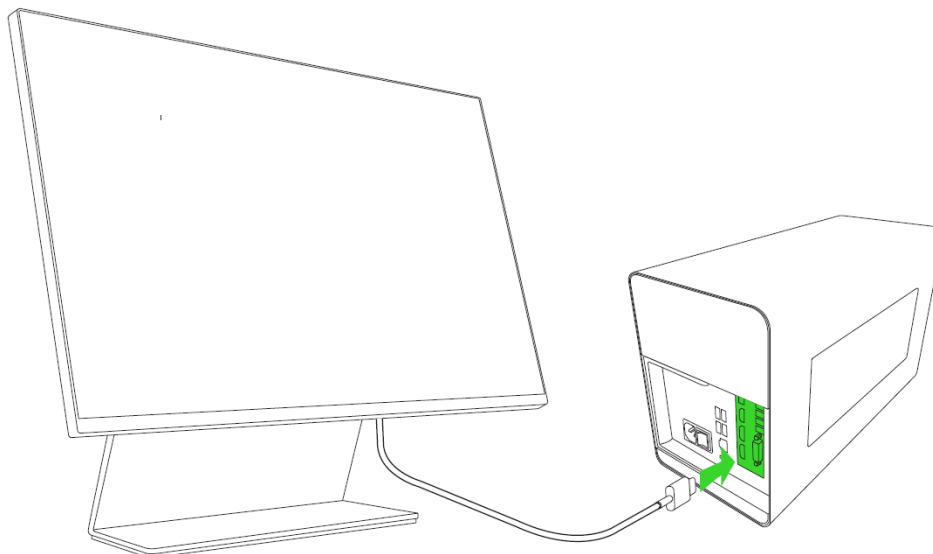
 Use the appropriate power cord for your region.

11. Connect the Razer Core X Chroma to the Thunderbolt 3 (USB-C) port of your compatible Thunderbolt™ 3 external graphics enabled system using the Thunderbolt 3 (USB-C) cable.



i *This connection will also provide power and charge your compatible USB-C powered laptop. Use only a compatible Active 40 Gbps Thunderbolt 3 (USB-C) cable.*

12. Connect the Razer Core X Chroma to your external monitor using the display port of your installed graphics card.



13. Make sure your system is updated before powering on the Razer Core X Chroma.

For Windows systems

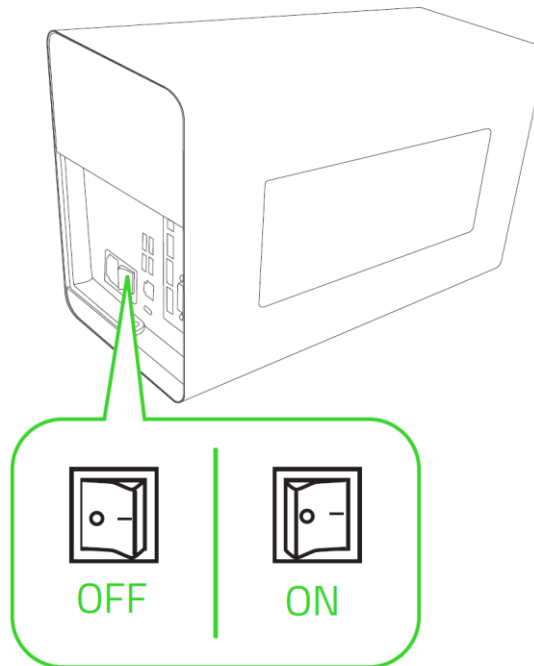
Please ensure your system has the latest Windows updates installed. Razer Core X Chroma requires Windows 10 RS5 or higher to be installed.

Contact your device's manufacturer to check if your system supports Thunderbolt 3 external graphics and/or has the latest BIOS and additional updates required to support Intel Thunderbolt 3 enabled external GPUs.

For macOS systems

The Razer Core X Chroma requires Macs running macOS High Sierra 10.13.4 (or higher) with Thunderbolt 3. For more information on keeping your Mac up to date, please check the [macOS User Guide](#).

14. Toggle the power switch on.



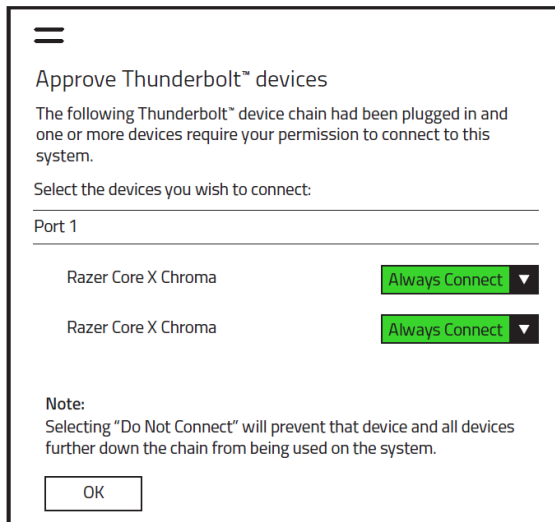
i *The lighting will only display when the device is connected to the Thunderbolt 3 (USB-C) port of your computer while a compatible graphics card must be installed for the internal lighting to be visible.*

15. Configure the necessary system settings for your Razer Core X Chroma:

For Windows users

Once the Razer Core X Chroma is powered on and connected to your system, the Thunderbolt software window will pop up. Simply set all listed Razer Core X Chroma to

Always Connect and click **OK**. These settings can also be accessed from the Thunderbolt software in the system tray if the pop-up window does not display.



i As the Razer Core X Chroma uses a unique dual-chip Thunderbolt design to effectively handle both graphic and peripheral data through a single Thunderbolt connection to your laptop, all Razer Core X Chroma shown in the displayed port must be set to **Always Connect**.

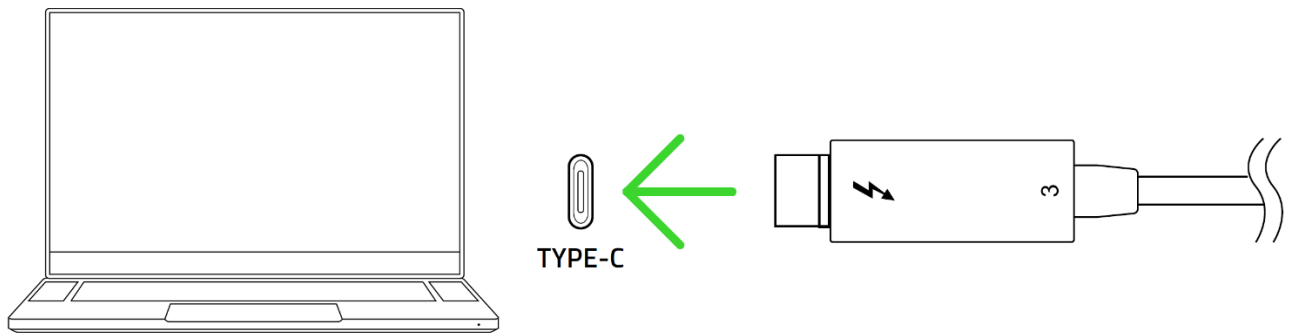
For Mac users

Your Razer Core X Chroma can already be used by supported applications upon connecting it to the Thunderbolt (USB-C) port of your Mac. For more information on how to use your external GPU configuration with your Mac, please visit support.apple.com/HT208544.

16. Install the graphics driver for the graphics card installed in the Razer Core X Chroma. Windows update may automatically install a driver for the graphics card. However, we recommend that you download the latest graphics driver version directly from [NVIDIA](#) or [AMD](#). Please ensure you select the correct driver option for your system as some systems may require either the Standard or DCH driver version.

i *The external graphics card must be detected by the system before installing the driver. If your system already has an internal graphic card, it may be required to install the latest driver for the external graphics card to function.*

5. INSTALLING RAZER SYNAPSE 3 FOR YOUR RAZER CORE X CHROMA



Step 1: Make sure your Razer Core X Chroma is connected to the Thunderbolt 3 (USB-C) port of your computer and that you have approved connection permissions for your Razer Core X Chroma.

Step 2: Install Razer Synapse 3 when prompted* or download the installer from razer.com/synapse.

Step 3: Create your Razer ID or log in with an existing account.

**Applicable for Windows 10 or later.*

6. CONFIGURING YOUR RAZER CORE X CHROMA VIA RAZER SYNAPSE 3

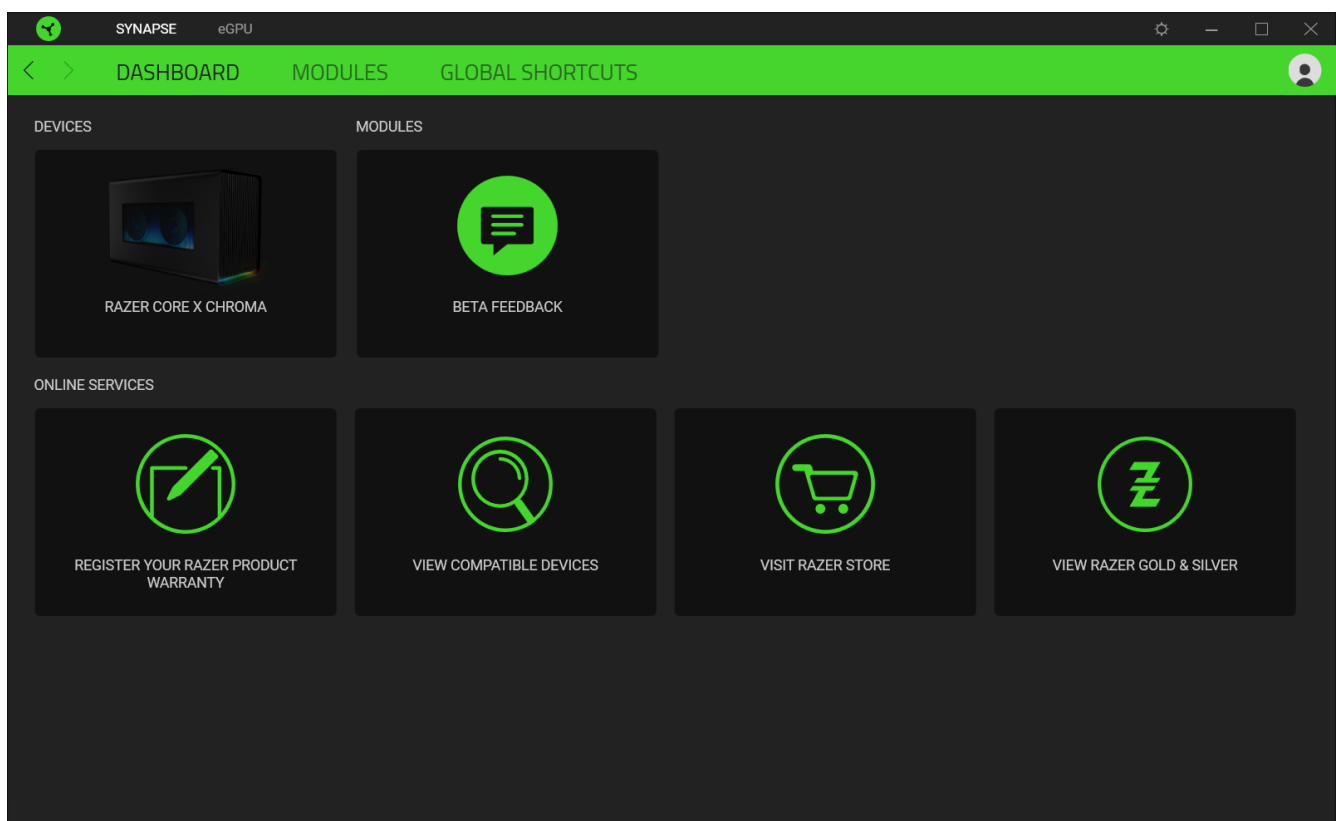
! *The features listed here require you to log into Razer Synapse 3. These features are also subject to change based on the current software version and your Operating System.*

SYNAPSE TAB

The Synapse tab is your default tab when you first launch Razer Synapse 3.

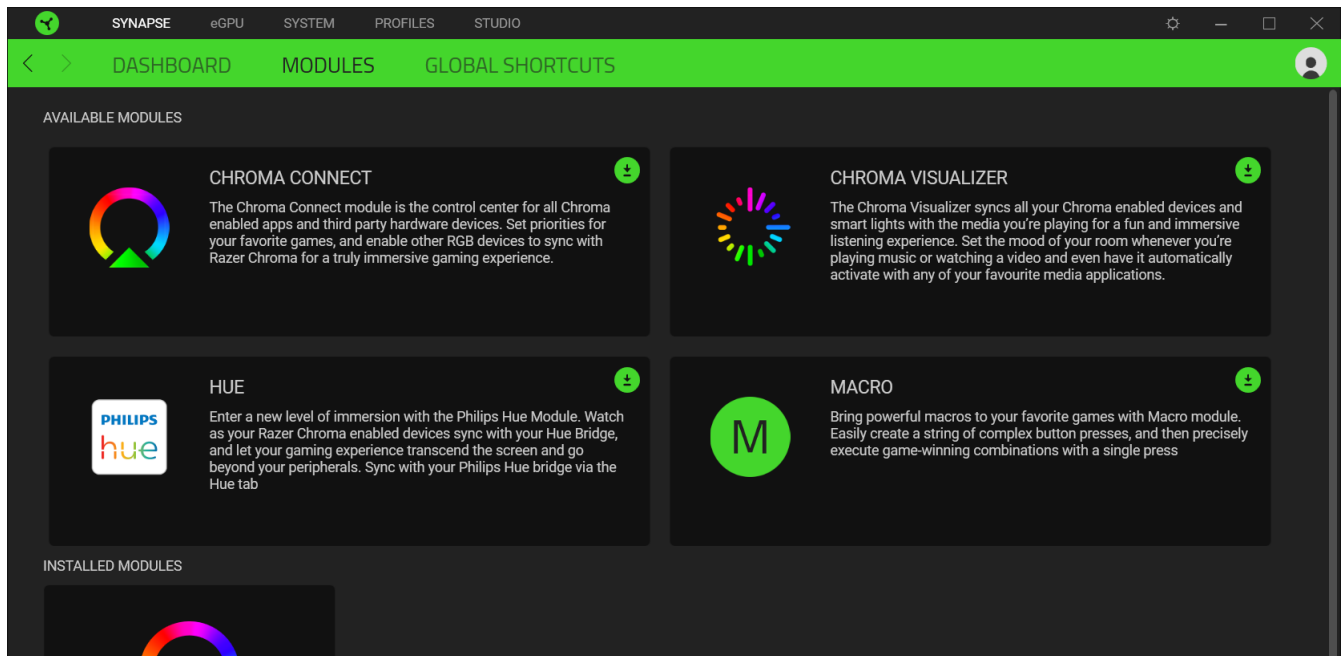
Dashboard

The Dashboard subtab is an overview of your Razer Synapse 3 where you can access all your Razer devices, modules, and online services.



Modules

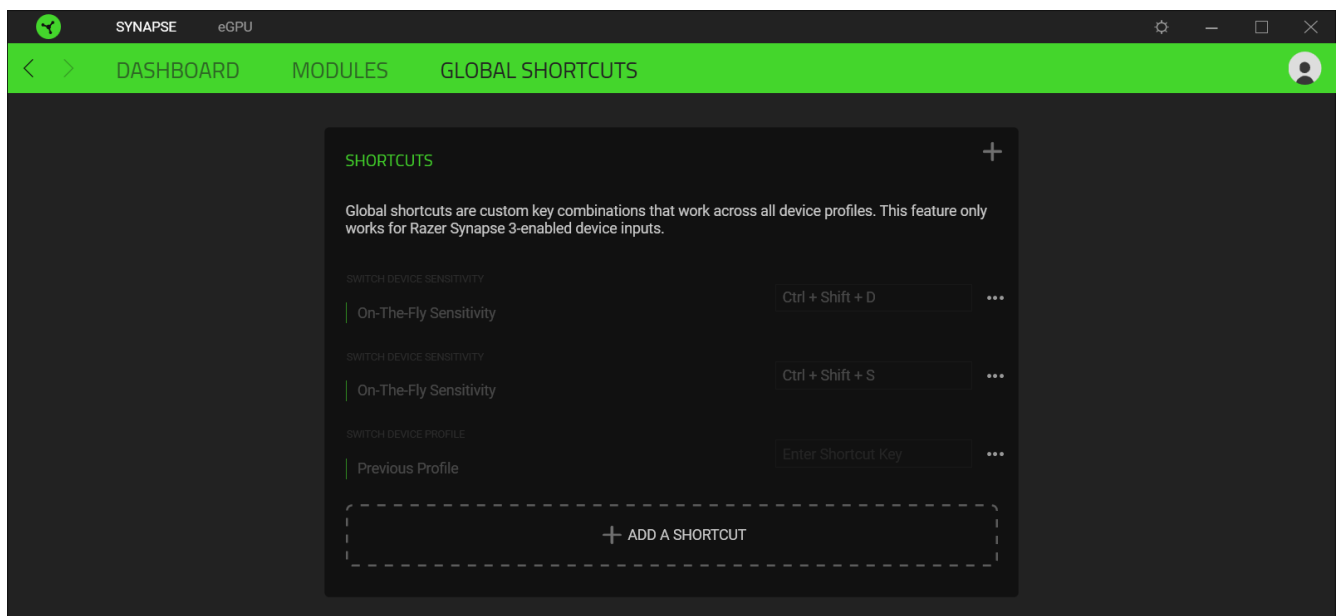
The Modules sub tab displays all installed and available modules for download and installation.



Global Shortcuts

Bind operations or Razer Synapse 3 functions to custom key-combinations from any Razer Synapse-enabled device inputs which apply across all device profiles. [Learn more about Profiles](#)

! *Only Razer Synapse-enabled device inputs will be recognized.*

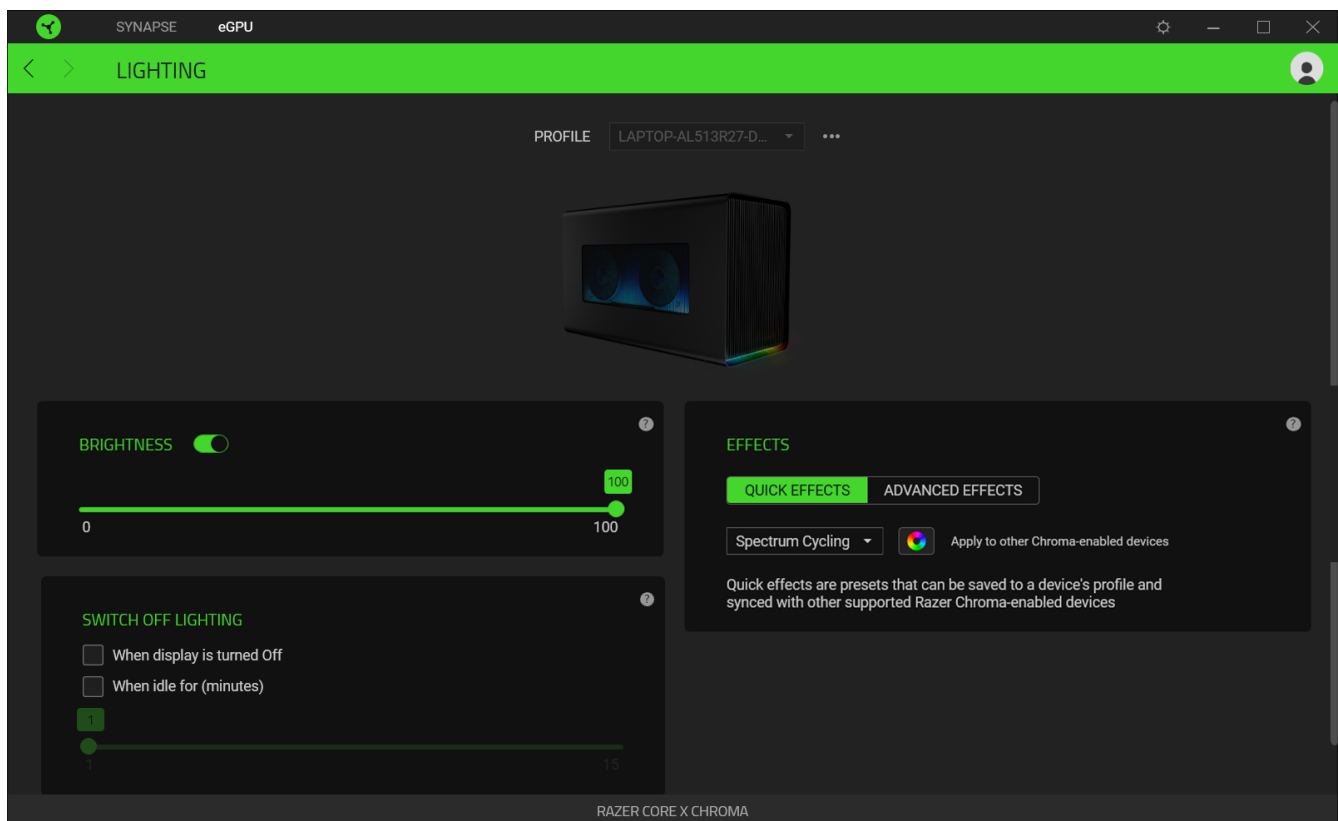


eGPU TAB

The eGPU tab is the main tab for your Razer Core X Chroma. From here, you can customize your graphics enclosure's lighting settings. Changes made under this tab are automatically saved to your system and cloud storage.

Lighting

The Lighting subtab enables you to modify your Razer device's light settings.



Profile

Profile is a data storage for keeping all your Razer devices' settings. By default, the profile name is based on your system's name. To add, import, rename, duplicate, export, or delete a profile, simply press the profile's corresponding Miscellaneous button (●●●).








Brightness

You can turn off your Razer device's lighting by toggling the Brightness option or increase/decrease the luminance using the slider.

Quick Effects

A number of quick effects can be selected and applied to your device's lighting, as listed here:

i Only devices that support the selected lighting effect will synchronize.

	Name	Description	How to set up
	Audio meter	The LEDs will light up according to the audio level with a default spectrum of colors	Select a Color Boost level
	Breathing	The lighting will fade in and out of the selected color(s)	Select up to 2 colors or randomize colors
	Fire	The LEDs will light up in warm colors to mimic the motion of flames	No further customization required
	Spectrum cycling	The LEDs will cycle between 16.8 million colors indefinitely	No further customization required
	Starlight	Each LED will have a chance of fading in and out at a random time and duration	Select up to 2 colors or randomize colors and select a duration
	Static	The LEDs will remain lit in the selected color	Select a color
	Wave	The lighting will scroll in the direction selected	Select either left-to-right or right-to-left wave direction

Advanced Effects

The Advanced Effects allow you to choose a Chroma Effect you want to use on your compatible devices. To start making your own Chroma Effect, simply press the Chroma Studio button

(). [Click here to learn more about the Chroma Studio](#)

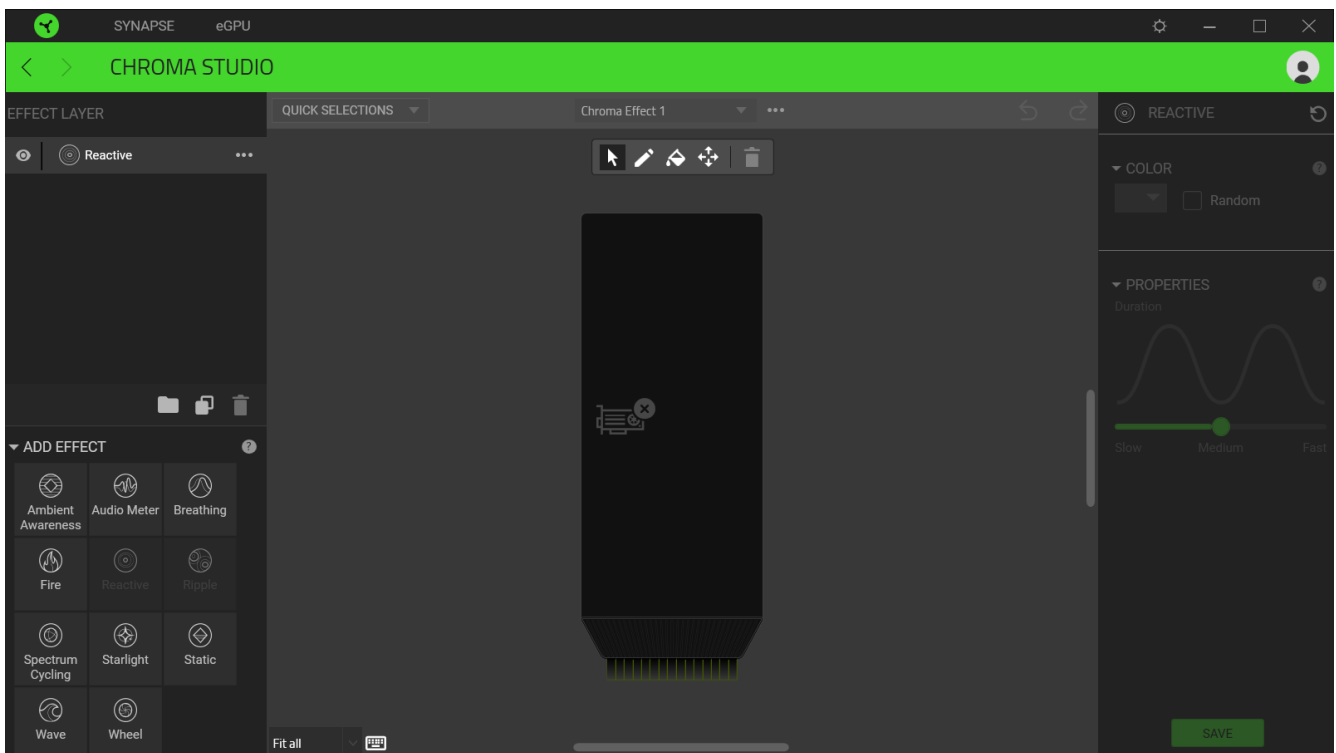
Switch Off Lighting

This is a power saving tool which allows you to disable your device's lighting in response to your system's display turning off and/or automatically power down when your Razer Core X Chroma has been idle for a set amount of time.

STUDIO TAB

! *The Studio tab will only be accessible once you have installed the Chroma Studio module from the Modules sub tab.*

The Chroma Studio enables you to create and edit your own Chroma Effects which you can apply to all supported Razer Chroma-enabled and/or RGB devices. To add, import or export, rename, duplicate, or delete a Chroma Effect, simply click the Miscellaneous button (•••). To revert the selected layer to its original setting, click the Reset button (↺). And to apply and save a modified layer, click the Save button (**SAVE**).








Quick Selections

The Quick Selections drop-down menu are a preset of lighting regions which you can use to easily customize your Razer device. Alternatively, you can individually select an LED by clicking on the area or select multiple LEDs by using click and drag.




Selection Panel & Controls

The Selection Panel allows you to fluidly select or remove LED areas your Chroma Effect will use. Listed below are the selection functions you can choose from:

-  Selector – Select the LEDs where you want to apply the current effect.
-  Pen - Draw directly on the LEDs with the current effect.
-  Paint Bucket - Fill an area continuously with the current effect.

-  Move - Enables you to reposition the devices.
-  Clear Selection - Removes the applied effect from the selected area.

Effect Layer

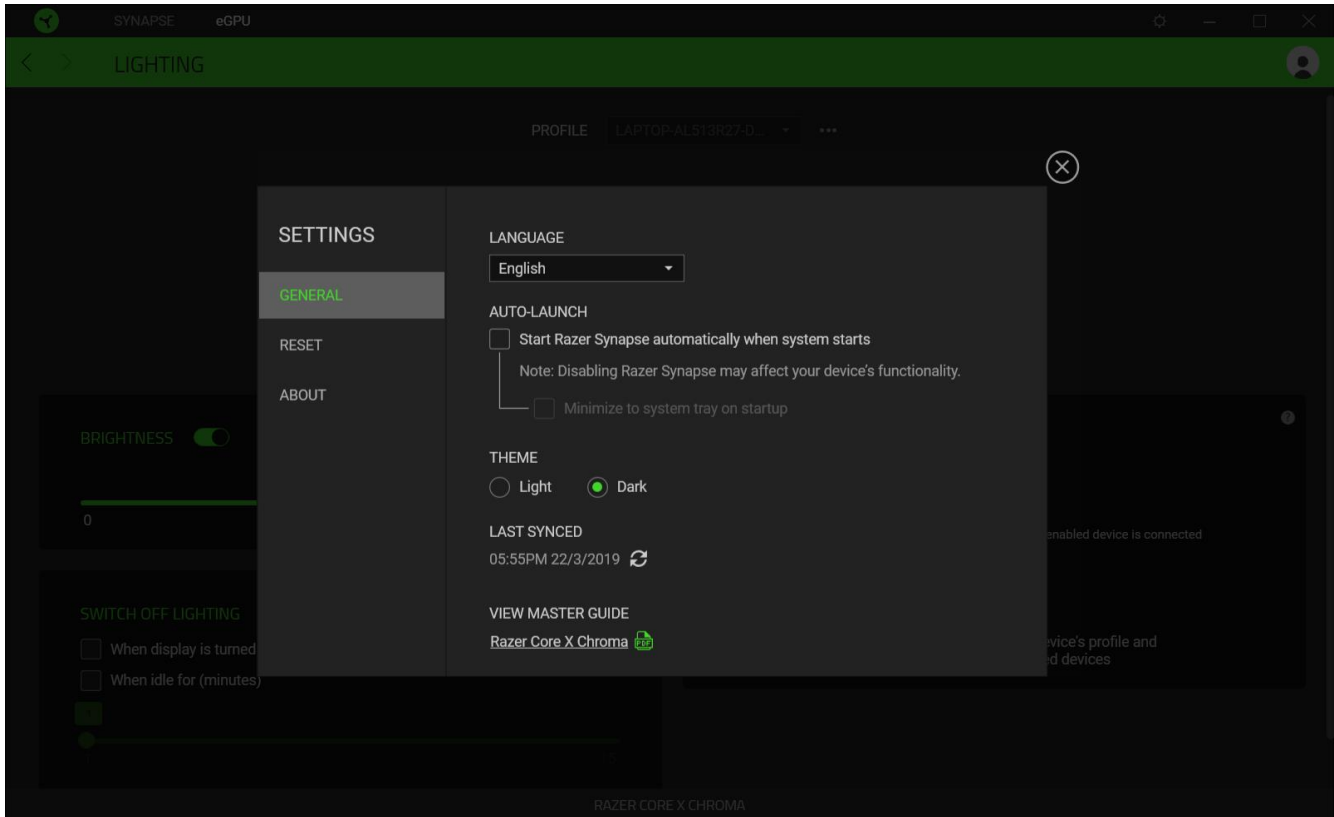
Lighting effects are arranged in layers wherein the topmost layer takes priority. You can group multiple lighting effects by clicking the Add Group button () and dragging the layers you want to group to the newly added folder, duplicate a layer by clicking the Copy button (), or delete a layer by clicking the Trash button (). Some layers may have overlapping effects, so you may need to arrange layers in a specific order.

Add Effect

All supported quick effects are listed under the Add Effect option which you can click to insert onto the Effect Layer. Quick Effects can be edited on the Chroma Studio by allowing you to change its preset color, properties, and playback options.

SETTINGS WINDOW

The Settings window, accessible by clicking the (⚙️) button on Razer Synapse 3, enables you to configure the startup behavior and display language of Razer Synapse 3, view the master guides of each connected Razer device, or perform factory reset on any connected Razer device.



General tab

The default tab of the Settings window. The General tab enables you to change the software's display language, start-up behavior, and display theme; or view the master guide of all connected Razer devices. You may also manually sync your profiles to the cloud (↻) or view the master guide of all connected Razer devices.

Reset tab

The Reset tab allows you to perform a factory reset on all connected Razer devices with on-board memory and/or reset Razer Synapse 3 tutorials to acquaint yourself again with Razer Synapse 3's new features on its next launch.

i *By resetting a Razer device, all profiles stored on the selected device's on-board memory will be erased.*

About tab

The About tab displays brief software information and copyright statement, and provides relevant links for its terms of use. You may also use this tab to check for software updates, or as a quick access to Razer's social communities.

7. SAFETY AND MAINTENANCE

SAFETY GUIDELINES

In order to achieve maximum safety while using your Razer Core X Chroma, we suggest that you adopt the following guidelines:

- Should you have trouble operating the device properly and troubleshooting does not work, unplug the device and contact the Razer hotline or go to support.razer.com for support. Do not attempt to service or fix the device yourself at any time.
- The device should only be operated with the type of power source indicated on its label. If you are unsure of the required power source, please consult the local power company or a qualified technician.
- Use caution when operating the device to avoid electrical shock or damage, such as switching it off and unplugging its power supply during thunderstorms, ensuring that your hands are dry before using (and handling) the device, keeping it away from any source of liquid and/or heat source, and using all other reasonable precautions needed under the circumstances.
- Don't use the graphics enclosure if any of its wires and cables are exposed/damaged. Doing so may result in an electric shock.
- Only use accessories provided with your device, and only purchase accessories made and/or approved by Razer.
- Place the device on a clean and stable surface that allows adequate air ventilation.
- When connecting external devices to your device, carefully plan how the wires will be placed. Protect any connected cables from being trod on or pinched, particularly at plugs, convenience receptacles, or the point where they exit from.
- When unplugging any connected devices and/or cables, always pull its plug or connector. Don't forcefully tug on its cord.
- Make sure that the device is switched off, unplugged from the outlet, and that all connected devices are powered off and unplugged (if any) from the device, before installing or uninstalling a graphics card.

MAINTENANCE AND USE

The Razer Core X Chroma requires minimum maintenance to keep it in optimum condition. Once a month we recommend you switch off and unplug the device from a power outlet, detach all connected cables, remove the connected graphics card, and gently clean each component using a compressed air can or cotton swab to prevent dirt buildup. Do not use soap or harsh cleaning agents.

8. LEGALESE

COPYRIGHT AND INTELLECTUAL PROPERTY INFORMATION

©2019 Razer Inc. All rights reserved. Razer, the triple-headed snake logo, Razer logo, “For Gamers. By Gamers.”, and “Powered by Razer Chroma” logo are trademarks or registered trademarks of Razer Inc. and/or affiliated companies in the United States or other countries.

Mac and macOS are trademarks of Apple Inc., registered in the U.S. and other countries.

Thunderbolt and the Thunderbolt logo are trademarks of Intel Corporation in the U.S. and/or other countries.

Windows and the Windows logo are trademarks of the Microsoft group of companies. All other trademarks and trade names are the property of their respective owners and other company and product names mentioned herein may be trademarks of their respective companies.

Razer Inc. (“Razer”) may have copyright, trademarks, trade secrets, patents, patent applications, or other intellectual property rights (whether registered or unregistered) concerning the product in this guide. Furnishing of this guide does not give you a license to any such copyright, trademark, patent or other intellectual property right. The Razer Core X Chroma (the “Product”) may differ from pictures whether on packaging or otherwise. Razer assumes no responsibility for such differences or for any errors that may appear. Information contained herein is subject to change without notice.

LIMITED PRODUCT WARRANTY

For the latest and current terms of the Limited Product Warranty, please visit [razer.com/warranty](https://www.razer.com/warranty).

LIMITATION OF LIABILITY

Razer shall in no event be liable for any lost profits, loss of information or data, special, incidental, indirect, punitive or consequential or incidental damages, arising in any way out of distribution of, sale of, resale of, use of, or inability to use the Product. In no event shall Razer’s liability exceed the retail purchase price of the Product.

GENERAL

These terms shall be governed by and construed under the laws of the jurisdiction in which the Product was purchased. If any term herein is held to be invalid or unenforceable, then such term (in so far as it is invalid or unenforceable) shall be given no effect and deemed to be excluded without invalidating any of the remaining terms. Razer reserves the right to amend any term at any time without notice.