



Neat Bar Pro packs a stack of tech into a simple and elegant device that is perfect for bringing superior-quality audio and video to any space, including your large meeting rooms.

* Feature not supported by Microsoft Teams
** Supported in future software update
*** Needs to be purchased from Zoom or Microsoft

General

Wakeup sensor (radar)
Depth sensor (time-of-flight VGA 60° FOV)
Orientation sensor (accelerometer)
Ambient light sensor
Temperature sensor
Humidity sensor
Air quality sensor
Camera LED
System LED
Tripod mount compatible (1/4-20 UNC threads)
Table stand, wall mount and screen mount
Triple screen support ^(*)
Security lock slot (Kensington compatible)
Secure boot

Audio

Speakerbox for maximal tonal range with minimal distortion
3 full-range speakers ready for directional and stereo sound
Woofers with two opposing drivers for vibration cancellation
4 tracking mics
16 microphones in a beamforming array
Hardware accelerated audio processing
Ultrasonic support for wireless content sharing
Echo cancellation
Noise suppression
Automatic gain control
Dereverberation

Video

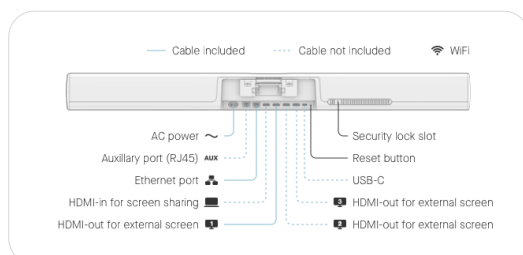
Pro 100 MP camera system with wide and tele cameras
Wide camera: 50 MP, $f/2.8$ aperture, 113° horizontal field of view
Tele camera: 50 MP, $f/1.8$ aperture, 70° horizontal field of view
Hybrid zoom up to 16x
Automatic people framing
Hardware accelerated video encode and decode
Distortion correction
Noise reduction
Chromatic aberration correction
Automatic white balance and color correction
People video resolution: Up to 1080p / 30
Content video resolution: 720p / 60, 1080p / 30

Electrical and environmental requirements

100-240V ~ 50/60Hz 1.2A
Ambient operating temperature: 32° to 95° F (0° to 35° C)
Storage temperature: -4° to 140° F (-20° to 60° C)
Relative humidity: 10% to 90%
Built-in power supply

Power consumption

Idle: 6W
In call: 8-15W



Networking & ports

WiFi
AC power (internal power supply)
Ethernet
USB-C for input when connected to a touch screen
3x HDMI out for external screens
HDMI-in for screen sharing
Auxiliary port for 3rd party audio extensions (RJ45) ^(**)



Size & weight

Width: 35.04 inches (890 mm)
Height: 3.15 inches (80 mm)
Depth: 3.15 inches (80 mm)
Weight: 6.83 pounds (3.1 kg)

In the box

Neat Bar Pro

Ethernet cable (9.8 feet / 3 meters)
Power cable (9.8 feet / 3 meters)
Mount adapter, wall mount, screen mount and table stand
4 × M8 screw (0.94 in / 24 mm) for VESA mount
4 × M6 screw (0.94 in / 24 mm) for VESA mount
2 × spacer (to secure parallel TV mount)
1 × 5 mm hex key for the screen mount
1 × 2 mm hex key for the mount adapter
2 additional screw bags for dual or triple screen setup

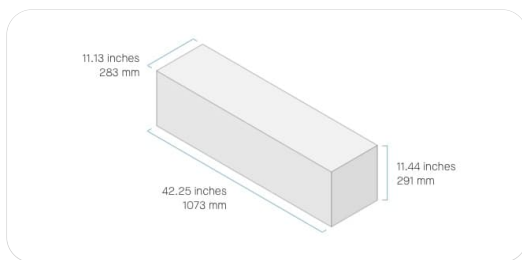
Neat Pad

2 × Ethernet cable (9.8 feet / 3 meters + 16.4 feet / 5 meters)
PoE power adapter
Mount adapter, side mount and wall mount
4 × M4 screw (0.39 inches / 10 mm) for the wall mount
3 × M4 screw (0.26 inches / 6.7 mm) for the side mount
2 mm hex wrench
2.5 mm hex wrench

What you need

Licence for Zoom Rooms or Microsoft Teams (***)
Display (16:9 aspect ratio) with 1080p resolution or better
Internet connection

Box weights and dimensions



Neat Bar Pro with Neat Pad
26 pounds / 11.8 kg

Neat Pad is our dedicated touch control for meetings that doubles as a room availability display.

* Feature not yet supported by Microsoft Teams
** Supported in future software update

General

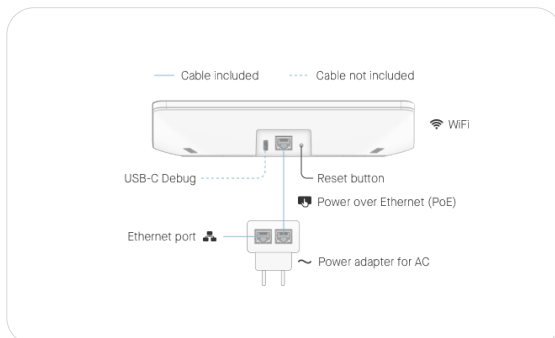
8-inch (diagonal) touch screen
1280 x 800 screen resolution
16:10 aspect ratio
Anti glare, anti smudge coating
Ambient light sensor
Sensors for temperature, humidity, CO₂ and VOC (*)
Side LED Indicators
Speakers for ultrasound (*)
2 microphones (**)
Accelerometer
Wall mount and side mount
Security lock slot (Kensington compatible)
Native support for Zoom Rooms
Native support for Microsoft Teams Rooms on Android

Electrical and environmental requirements

Ambient operating temperature: 32° to 95° F (0° - 35° C)
Storage temperature: -4° to 140° F (-20° to 60° C)
Relative humidity: 10% to 90%
Power over Ethernet (PoE): 802.3at PoE+ (Class 4/mode A)
56V – 0.275A

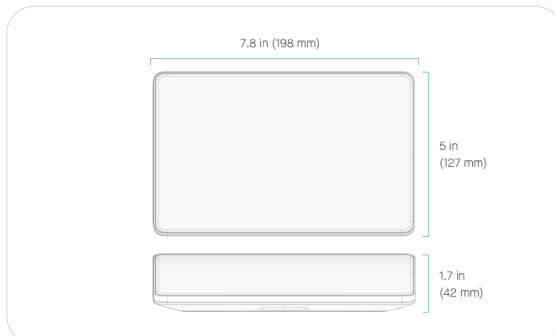
Power consumption

Idle: 5W
In call: 5W



Networking & ports

WiFi
USB-C (reserved for future use)
Ethernet (supports PoE)
Power adapter for AC (optional)



Size & weight

Width: 7.8 inches (198 mm)
Height: 1.7 inches (42 mm)
Depth: 5 inches (127 mm)
Weight: 1.15 pounds (520 g)

In the box

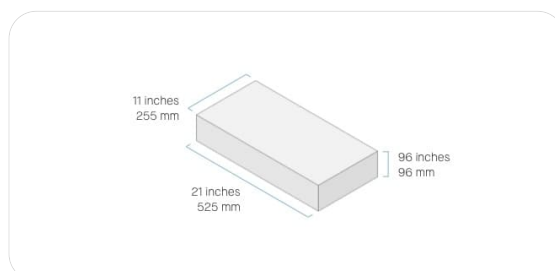
Neat Pad

2 × Ethernet cable (9.8 feet / 3 meters + 16.4 feet / 5 meters)
PoE power adapter
Mount adapter, side mount and wall mount
4 × M4 screw (0.39 inches / 10 mm) for the wall mount
3 × M4 screw (0.26 inches / 6.7 mm) for the side mount
2 mm hex wrench
2.5 mm hex wrench

What you need

Internet connection

Box weights and dimensions



Neat Pad
5.3 pounds / 2.4 kg