

L-Support Slide Rails for 483 mm (19") Cabinets



✓ Easy installation

✓ galvanized steel sheet

✓ depth variable

✓ Load capacity up to 100 kg

Abstract

L-Support slide rails for 483 mm (19") cabinets, depth variable, galvanized

Features

- for fixed installation on the four 483 mm (19") profile rails
- galvanized steel sheet with a strength of 2.00 mm
- Load capacity up to 100 kg
- 1 piece consists of two parts (internal and external profiling system)
- Delivery content as set with two pieces
- Delivery inclusive fixing material

Product Overview

The L-Support Slide Rails help you to support the installation of heavy duty components in DIGITUS[®] 483 mm (19") network- or server cabinets. They are getting fixed on the four 483 mm (19") profile rails. With galvanized steel sheet and a load capacity of up to 100 kg, they offer a perfect solution.

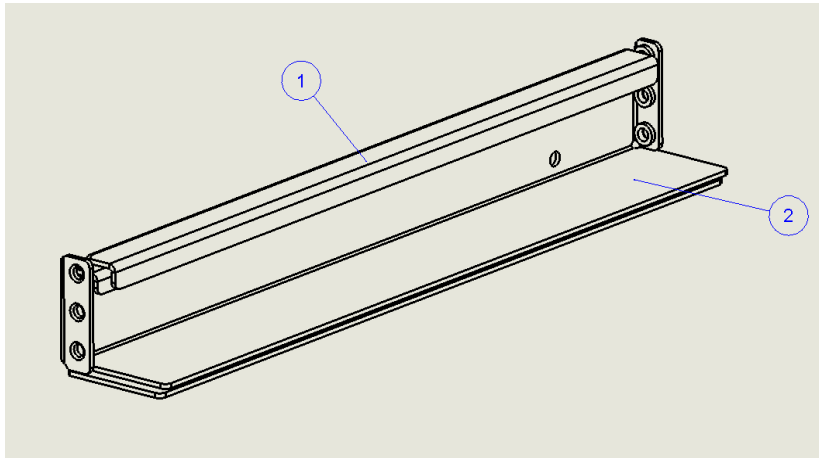
Product Number Information

| Item code | Product dimensions (HxW) in mm | Suitable cabinet depth | Rail variability |
|--------------|--------------------------------|------------------------|------------------|
| DN-19 GS-NW | 44x52 mm | 600 mm - 800 mm | 350 mm - 600 mm |
| DN-19 GS-SRV | | 800 mm - 1000 mm | 500 mm - 750 mm |

Logistic Data

| Item code | Net weight in kg | Gross weight in kg | Packaging dimensions (HxWxD) in mm |
|--------------|------------------|--------------------|------------------------------------|
| DN-19 GS-NW | 2.65 kg | 3.2 kg | 65x65x370 mm |
| DN-19 GS-SRV | 3.2 kg | 3.7 kg | 65x65x520 mm |

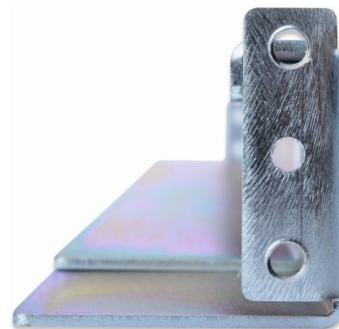
Delivery Content



| Nr. | Definition | Material strength | Properties | Quantity |
|-----|------------------|-------------------|---|----------|
| 1 | Internal profile | 2.00 mm | DIN EN 10130 - 99 EREGLI DC-01 6112 CRS | 2 pcs. |
| 2 | External profile | 2.00 mm | DIN EN 10130 - 99 EREGLI DC-01 6112 CRS | 2 pcs. |
| 3 | M6X10 screw | - | M6X10 pan head screw DIN 967 | 8 pcs. |
| 4 | Washer | - | Plastic washer | 8 pcs. |

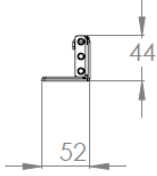
* #3+4 = fixing material in plastic bag

Product Images

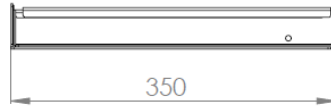


Technical Drawings

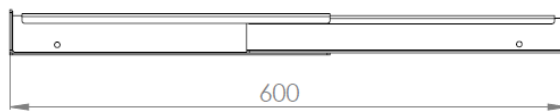
DN-19 GS-NW



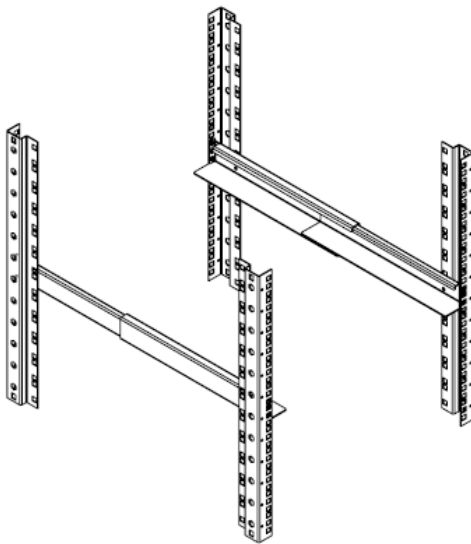
FRONT VIEW



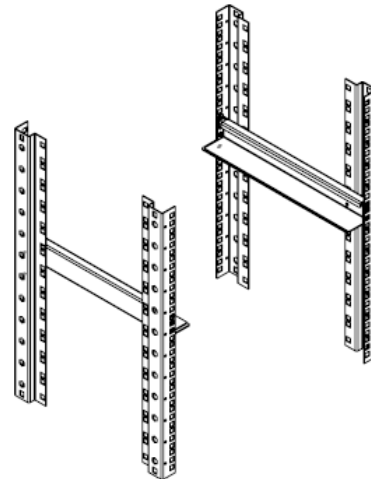
MIN.USEABLE DISTANCE



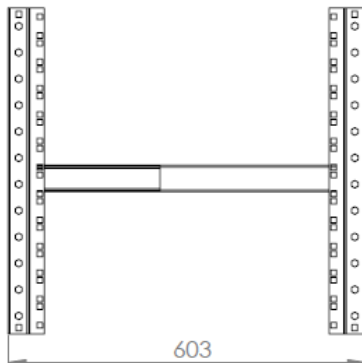
MAX.USEABLE DISTANCE



MAX.USEABLE DISTANCE
ISOMERIC



MIN.USEABLE DISTANCE
ISOMERIC

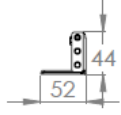


MAX.USEABLE DISTANCE

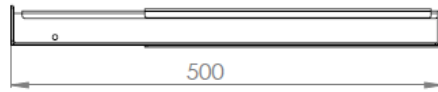


MIN.USEABLE DISTANCE

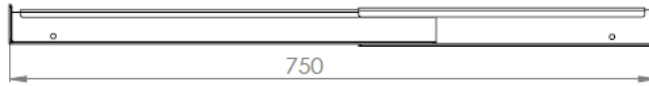
DN-19 GS-SRV



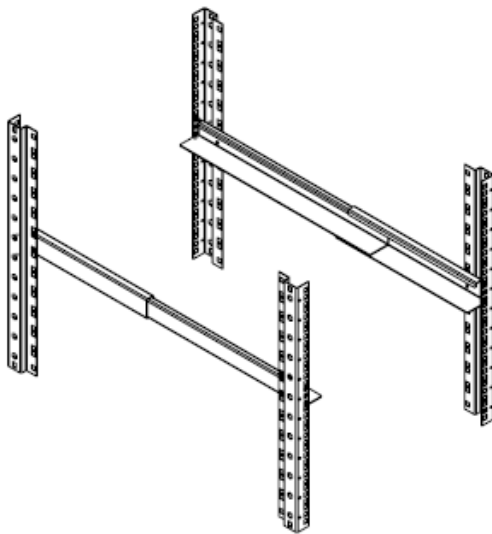
FRONT VIEW



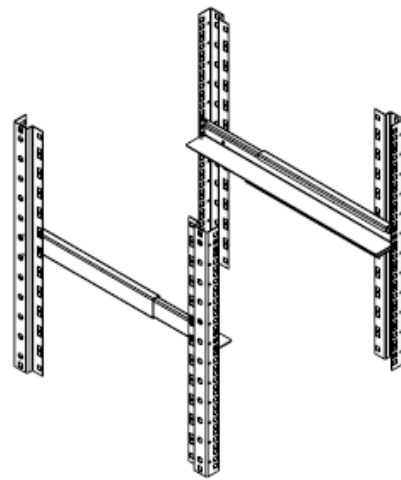
MIN.USEABLE DISTANCE



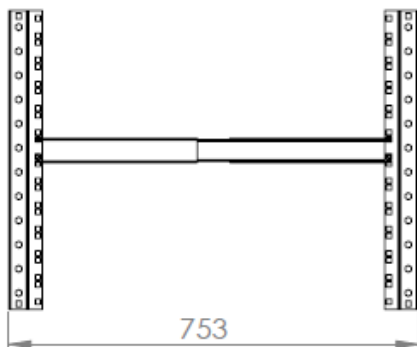
MAX.USEABLE DISTANCE



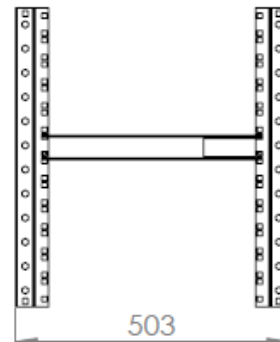
MAX.USEABLE DISTANCE
ISOMETRIC



MIN.USEABLE DISTANCE
ISOMETRIC



MAX.USEABLE DISTANCE



MIN.USEABLE DISTANCE