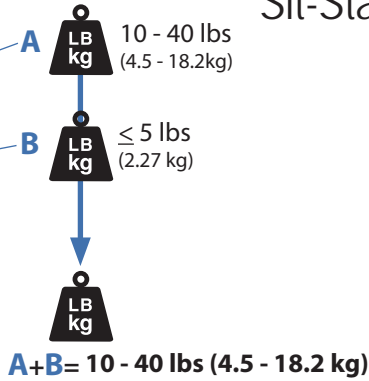
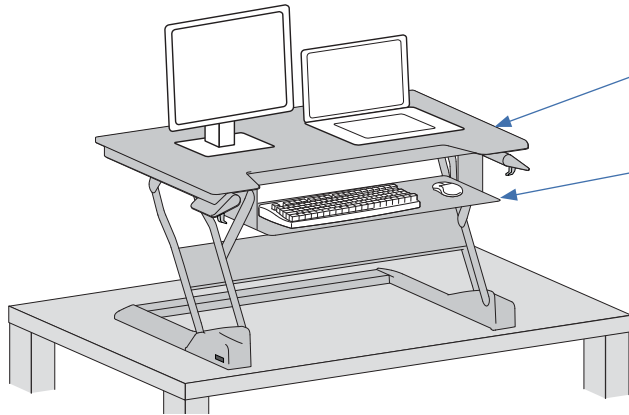
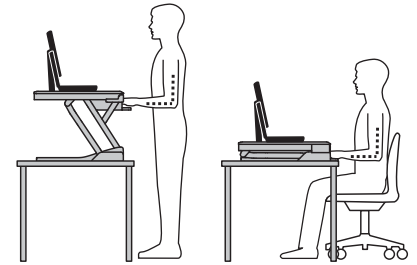


Weight Capacity

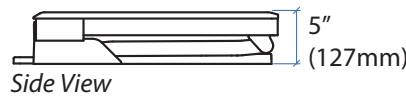
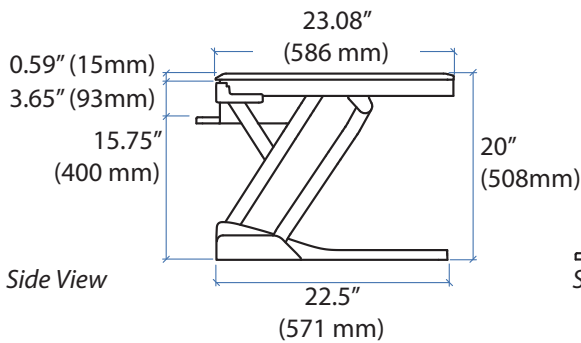
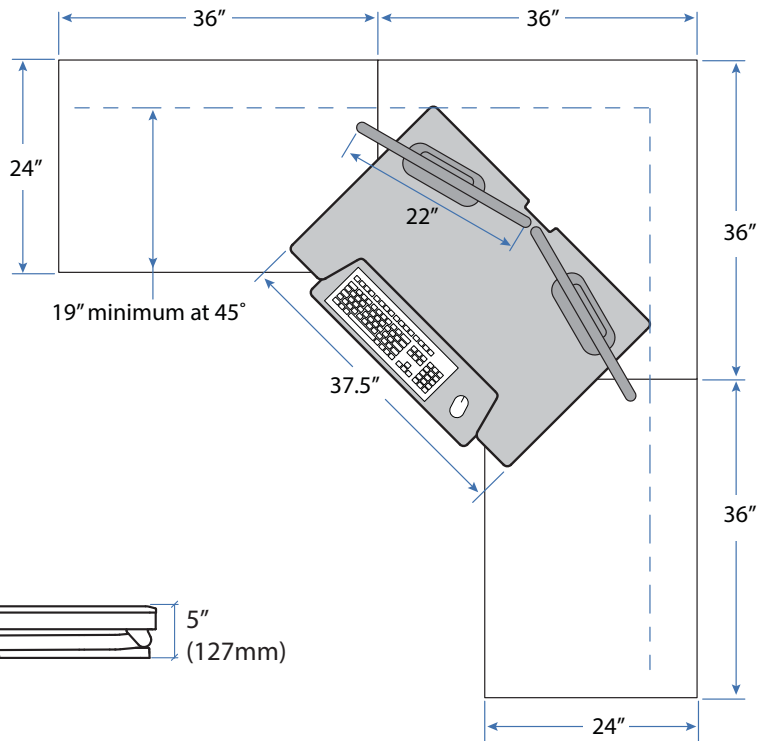
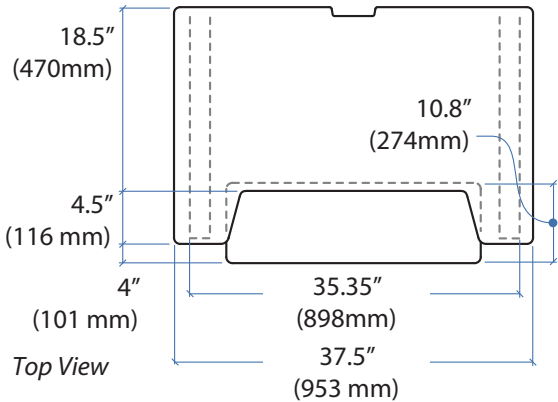
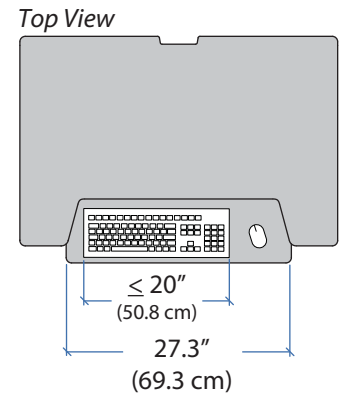
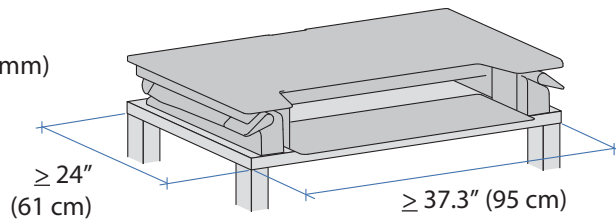
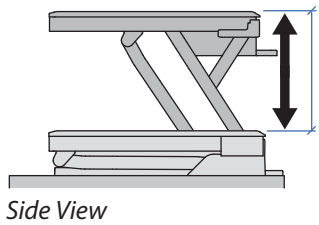


WorkFit-TL

Sit-Stand Desktop Workstation



Dimensions



Shown on a 90° corner work surface. Top View

© 2015 Ergotron, Inc. rev. 12/11/18 DIM-WorkFit-TL Content is subject to change without notification

Americas Sales and Corporate Headquarters

St. Paul, MN USA
 (800) 888-8458
 +1-651-681-7600
 www.ergotron.com
 sales@ergotron.com

EMEA Sales

Amersfoort, The Netherlands
 +31 33 45 45 600
 www.ergotron.com
 info.eu@ergotron.com

APAC Sales

Tokyo, Japan
 www.ergotron.com
 japansupport@ergotron.com

Worldwide OEM Sales

www.ergotron.com
 info.oem@ergotron.com