

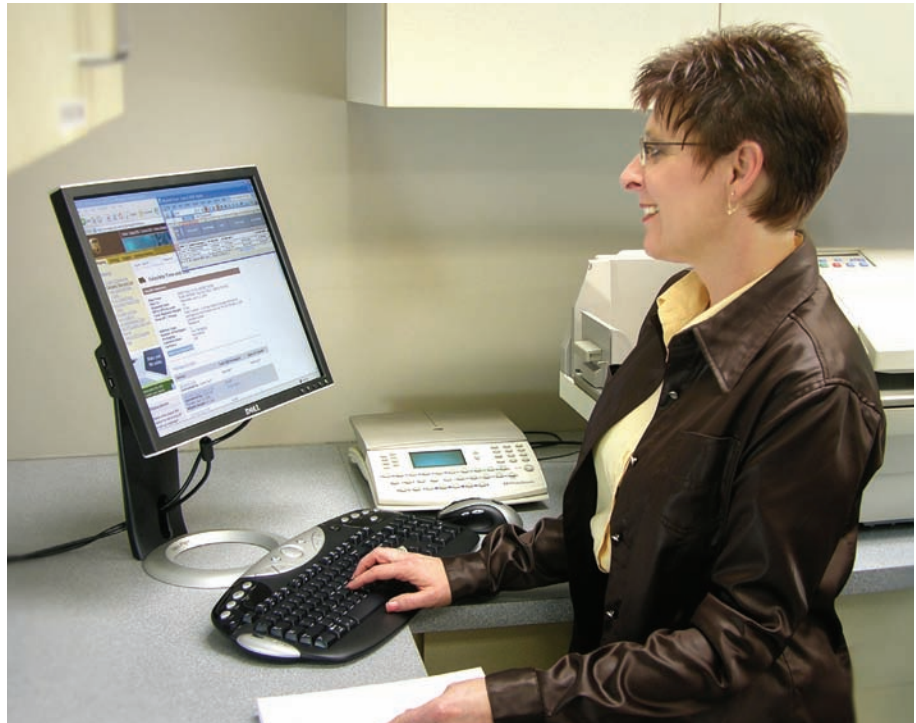


Highlights

- Upgrade monitors or TVs with improved ergonomic adjustability
- Neo-Flex Stand is the only weight-adjustable desk stand LCD accessory on the market
- Easily position your LCD for maximum comfort and productivity
- 5" (130 mm) height range easily meets the ergonomic height needs of the average male to the average female in seated applications
- Patented lift-engine provides premium long-life LCD adjustment
- Accommodates LCD weights of 6–16 lbs (2.7–7.2 kg)
- Sleek, durable, easy-to-clean plastic exterior
- Meets UL Specification 360950 Tip Test for all weights of LCDs
- Rugged construction ensures long-lasting durability
- Easily attaches to LCDs that are VESA® Flat Display Mounting Interface (FDMI™) and FPMPMI™ Standard compliant

Neo-Flex™

LCD Stand



Add greater range of movement to your LCD monitor or TV with the Neo-Flex LCD Stand! This proven technology is now available as an accessory to LCDs—previously, this design was only sold directly to flat panel monitor manufacturers (OEM).

Ergonomic experts recommend that the height of your LCD be positioned so that the top of the screen is at, or slightly below, eye level. This reduces fatigue and possible Musculoskeletal Disorders (MSDs) to the neck and shoulder. The Neo-Flex Stand addresses this issue by allowing you to instantly set the height of your LCD.

With fingertip effort, you can raise or lower your LCD 5 inches (130 mm), pivot it right/left, tilt it up/down, or rotate your screen for portrait/landscape viewing. Patented lift and friction system provides smooth, easy adjustment.



Position the height and angle of the LCD for maximum comfort and productivity, and/or pivot for portrait/landscape viewing.

Easily attach your LCD to the stand with four screws.

Patented lift and friction system provides smooth easy adjustment.

Base uses little space yet ensures stability even as the monitor is adjusted.



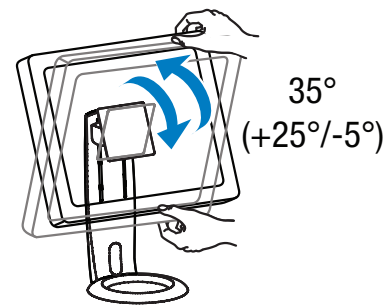
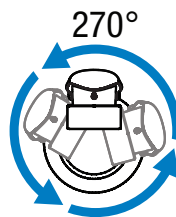
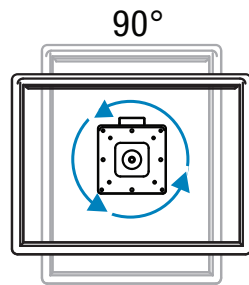
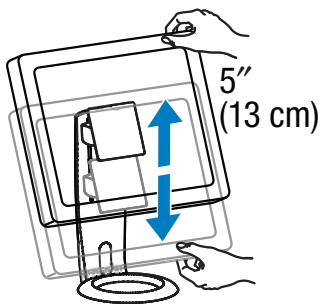
Range of Motion:

5" (130 mm) height range

LCD rotates 90° portrait/landscape

LCD pivots 270° right/left

LCD pivots +25°/-5° up/down



Basic Specifications:

Models & Weight Capacity:

Models	LCD weight only*
33-310-030	6 to 16 lbs (2.7 to 7.2 kg)

* Exclude weight of any existing LCD stand

LCD Interface Options:

- VESA FDMI MIS-D, 100/75, C* (hole pattern: 100 x 100 mm & 75 x 75 mm)
- * VESA mounting interface location on LCD must be a maximum of 1" above or below LCD center line to achieve ergonomic guidelines.

Colors: Available in black/silver

Warranty: 3-year

Shipping Weight: 6 lbs (2,7 kg)

Standards Compliance:

- VESA FDMI and VESA FPMPI
- Meets UL Specification 360950 Tip Test for all weights of LCDs
- Conforms to European TCO-03 Certification Label, Physical Ergonomics Standard

© 2007 Ergotron, Inc.
rev. 12/02/2007 870-05-050

Ergotron Europe
Beeldschermweg 3
3821 AH Amersfoort
The Netherlands
Tel: +31 33 45 45 600
Fax: +31 33 45 45 649
info.eu@ergotron.com
www.ergotron.com

