

AQUILA S2

*Direct Extruder/PEI Printing Plate/
High temperature print*

Aquila S2 follows the classic all-metal appearance of the Aquila series, with a newly upgraded high temperature direct extruder and PEI flexible build plate, which is durable and easy to maintain.

The addition of a PEI flexible build plate makes it easy to remove models without any tools. Open-source design to meet the needs of DIY enthusiasts.



All-metal Body



High Precision Printing



PEI Printing Plate



Resume Printing



Fast Heating



Direct Extruder



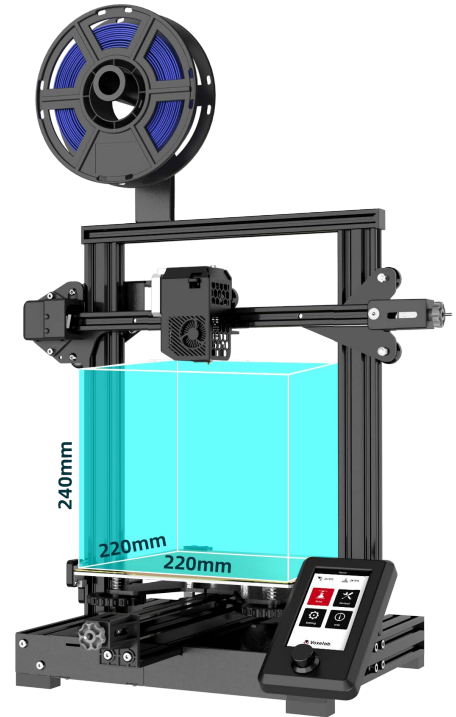
Dual Cooling Extruder



Color Screen with Rotary Knob

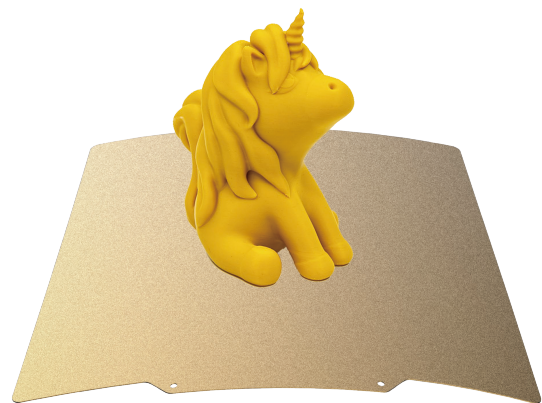


Build Volume 220*220*240mm



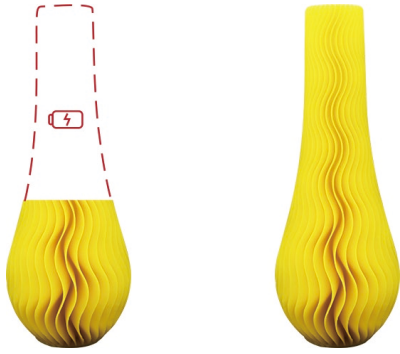
High Temp Direct Extruder

Direct extruding, loading is more quickly. The temperature of extruder can up to 300°C, it helps to provide more possibilities of 3D printing for you. Dual cooling fan, improve the printing accuracy and success rate.



PEI Printing Plate

Gold PEI plate, anti-warping edge, easy for model removal. Magnetic sticker owns a strong magnetic force to make sure it is durable.



Resume Printing

No fear of unexpected power off, accurate printing can be continued after power is switched on.



Color Screen with Rotary Knob

Color screen with rotary knob is simple and easy to operate, user-friendly operation system, Chinese/English bilingual screen language, make sure the smooth using experience.

Model Show



Architectural Design



Industrial Design



Toy Decorations



Art Models

Parameter

Extruder quantity	1
Nozzle diameter	0.4 mm
Print precision	±0.2 mm
Software	Cura/Simplify 3D/Voxelmaker
Language switch	EN/CN
File format	STL/OBJ/AMF
Hotbed temperature	≤100°C
Resume printing fuction	Yes
Supports (OS)	windows 7/10 / Mac OS
Layer thickness	0.1-0.4 mm
Print volume	220*220*240 mm
Input voltage	AC 115/230V 50/60HZ
Output voltage	DC 24V
Total power	350W
Filament	Φ1.75 mm PLA
Connectivity	USB/Memory card offline printing
Nozzle temperature	≤300°C
Print speed	≤180 mm/s, 30-60 mm/s normally

*** Supports adding auto-bed leveling sensor, and multiple specifications and high-strength nozzle.**