

User's Quick Guide

Ethernet-over-Coax Switch w/ PoE Pass-Through

model: 20110612

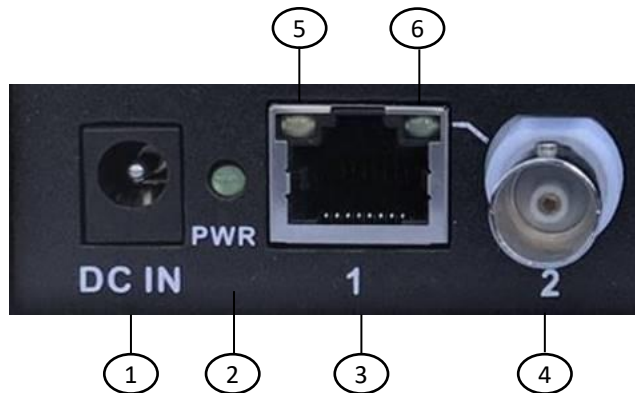
Main Features:

- 10/100 Ethernet-over-Coax Switch with 4xRJ45 ports and 4xBNC Ports
- PoE pass-through over coax between two adjacent RJ45 and BNC ports
- Compatible with PoE (802.3af) and PoE+ (802.3at)
- Built-in Loop detection and prevention to ensure overall network stability
- Coax transmission distance up to 600 feet (RG59) / 800ft (RG6)

Package Contents:

- One ECS1084 Ethernet-over-Coax Switch unit
- One 12VDC AC/DC power adapter

Front Panel and LED Indicators:



- 1: DC input
- 2: Power on LED (green)
- 3: RJ45 Ethernet switch port
- 4: BNC Ethernet switch port
- 5: Link/Activity status LED (amber) for the RJ45 port
- 6: Link/Activity status LED (green) for the adjacent BNC port

Typical System Diagram:

