

USB10X

USB PTZ SMART VIDEO CAMERA

One solution for better collaboration | Record every important moment

10X | USB2.0



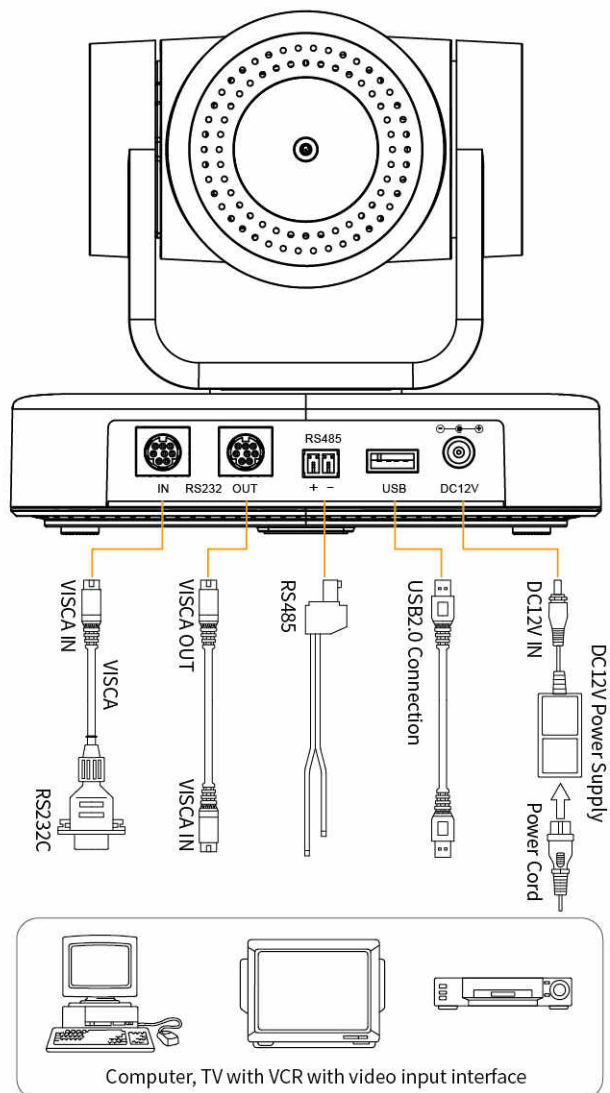
- 
FULL HD 1080P
 FHD Image
- 
10X
 10X Optical Zoom
- 
 Plug and Play
- 
 PTZ
- 
 Auto Focus
- 
 70°
 Wide View Angle
- 
 255 Presets
- 
 Remote Control

>> FEATURES

- 10X optical zoom Professional conferencing Camera for Business Meetings, you'll feel like you're face-to-face in the same room.
- USB2.0 video out, plug and play, anyone can easily setup and control
- Support 1080p@30fps, realize a life-like video experience
- Auto focus, smart frame capture everyone
- 70° wide viewing angle, ideal for various meetings
- Advanced 2D/3D noise reduction technology further reduces the noise while ensuring high image clarity
- High speed and silent pan/tilt, capture all the actions
- Supports up to 255 presets (10 presets for IR remote control)
- Multiple Control Protocol and interfaces
- Ideal for video conference, live streaming, medical seminar, online education, ect.



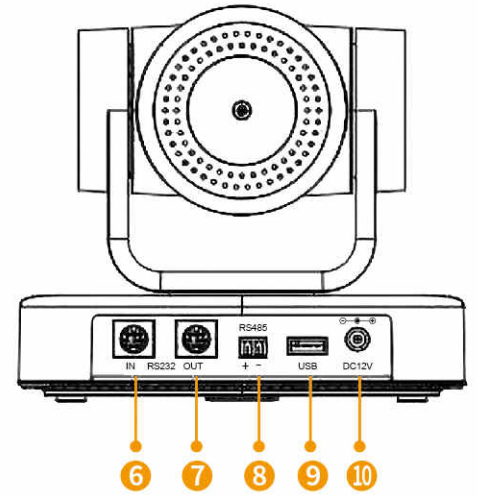
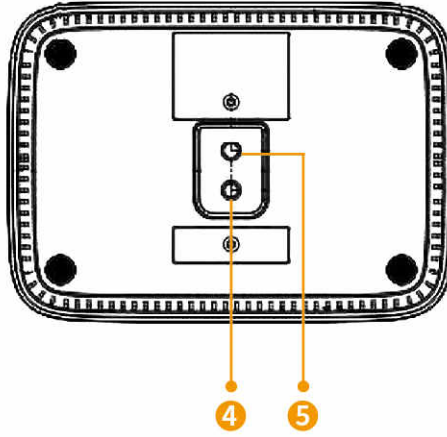
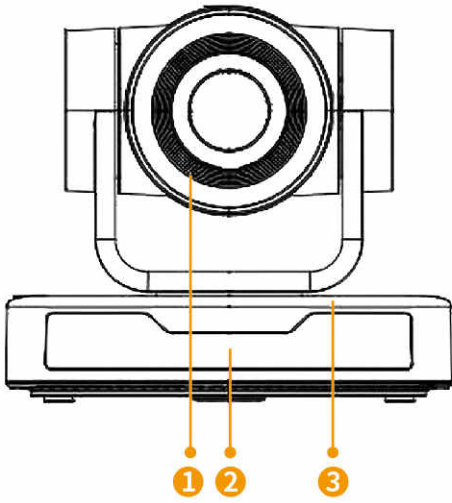
>> EXTERNAL INTERFACE CONNECTION



>> PARAMETER









Description	USB PTZ Camera with 10X Optical Zoom		
Model No.	USB10X		
Connectors	Video(Output)	USB2.0	1×USB-A
	Communication	RS232	2×DIN 8
		RS485	1×2 Pin Terminal Connector
	Power	DC 12V	
Camera	Optical Zoom	10X f=4.34~41.66mm	
	View Angle	8.8°~ 70°	
	AV	F1.85 ~ F2.43	
	Digital Zoom	10X	
	Minimum Illumination	0.5 lux (F1.8, AGC ON)	
	DNR	2D & 3D	
	White Balance	Auto/Manual/One Push/3000K/3500K/4000K/4500K/5000K/5500K/6000K/6500K/7000K	
	Focus	Auto/Manual/One Push	
	Exposure	Auto/Manual	
	BLC	ON/OFF	
	Video Adjustment	Brightness/Color/Saturation/Contrast/Sharpness/B/W mode/Gamma curve	
	SNR	>55dB	
	Effective Pixels	2.07m,16:9	
Pan-and-Tilt Parameter	Pan/Tilt Movement	-170°~+170°/'-30°~+90°	
Video Compression Format	Pan/Tilt Control Speed	0.1~60°/S;0.1~30°/S	
	Preset Speed/Quantity	Pan:60°/S, Tilt:30°/S; Up to 255 preset positions (10 remote control)	
	MJPG H.264 H.265		
Output Resolutions	720p@25/30 1080p@25/30		
Control Protocol	VISCA Pelco-D Pelco-P		
Operating System	Windows 7 Windows8 Windows10 Mac osx Linux		
USB Communication Protocol	UVC		
Input Voltage	DC12V/0.25A		
Max Power	2.5W		
Temperature	-10°C~50°C		
Humidity	20%~80%		
Unit Weight	1kg		
Unit Size	156.8mm×112.6mm×139.5mm		

>> STRUCTURE



1 Camera Lens	5 Screw Hole for Tripod	9 USB 2.0 Interface
2 Remote Control Receiving Indicator	6 RS232 Control Interface (Input)	10 DC12V Input Power Supply Socket
3 Camera Base	7 RS232 Control Interface (Output)	
4 Tripod Screw Hole	8 RS485 Input (left +, right-)	

>> PACKING LIST

		
USB10X PTZ Camera	Remote Control	USB2.0 Cable
		
RS232 Control Cable	RS485 Terminal Block	Power Adapter
		
US Standard Power Cable	EU Standard Power Cable	User manual

