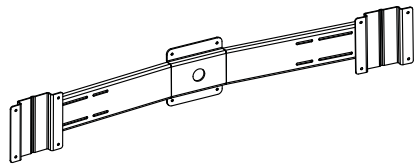
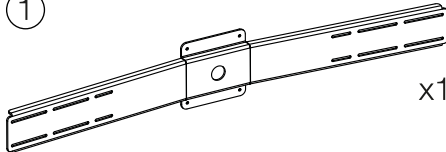







**Monitor Dual Bar**

In order to achieve a correct mounting of DUO Monitor Bridge, you are advised to read and follow the instructions step by step. If there are incomprehensible steps, please let us know and we will get back to you.

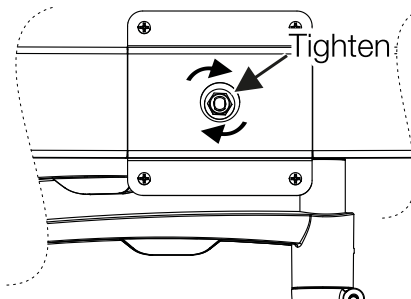
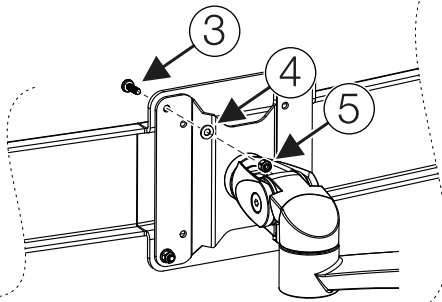


Part Check-List

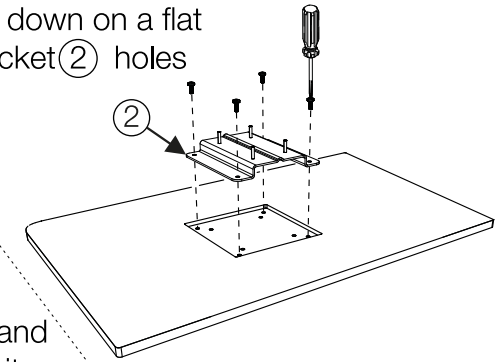
<p>①  x1</p> <p>②  x2</p>	<p>③  x12</p> <p>④  x4</p> <p>⑤  x4</p> <p>⑥  x8</p>
--	--

① Mount the Dual bar ① to an appropriate monitor arm. Lift the bar into position by aligning the VESA holes and pass the screws ③ through one by one. If necessary use the washers ④ and fasten using the nuts ⑤.

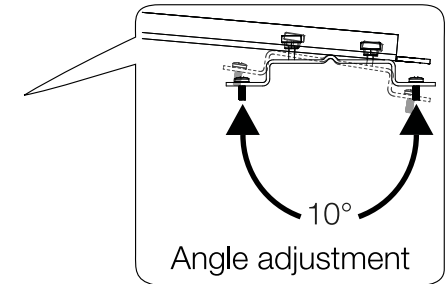
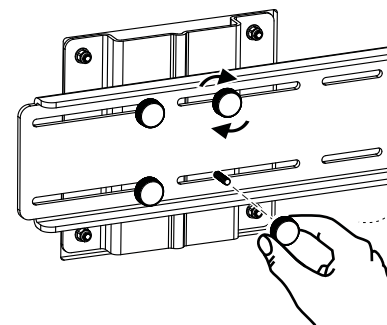
⚠ Be sure to tighten the nut of the monitor arm using an extending wheel nut wrench in order to prevent rotation of the dual bar.



② Place the LCD monitor face down on a flat surface. Align the VESA bracket ② holes and fasten using screws ③. Repeat procedure for both LCD monitors.



③ Lift the VESA bracket with the mounted LCD monitor, and examine how close the monitor can get to the center of the bar (see step ④). Then, insert the VESA bracket pins into the track of the bar and lock it to that track using the knob nuts ⑥. Angle the monitor as you see fit. Repeat procedure for both VESA brackets.



④ The Dual bar should now be fully assembled. Make sure the monitor screens are as close to each other as possible by making small adjustments.

