

Instructions of Safety and Warnings:

- Any failure to comply with the safety and installation instructions in this manual may cause serious bodily injury.
- Overlooking any part of the instructions, warnings and additional information marked with the "Note" and "⚠" may result in serious damage to the system or its components.
- Children should never be allowed to operate or touch the product without direct supervision of an adult. Users should prevent children from being near or around the desk during operation.
- Disabilities and/or lack of experience and knowledge should be prevented from using the product unless under supervision or assisted during use and operation.
- Never sit on or exceed the rated weight of the desk.



Electrical Safety Instructions:

The product is powered by electricity. In order to avoid burns, fire and electric shock, please read the instructions carefully.



Don't clean the product with water while the power is still connected.



Never operate the system if it's in moist environment or its electrical components have contact with liquids.



Don't disassemble or replace components while the power is still connected.



Don't operate the system if the control box makes noise or odor. Alterations of the given power unit and control box aren't allowed.



Never operate the system with a damaged cord or plug. Please contact your point of purchase to replace the damaged parts.



Other Safety Instructions:

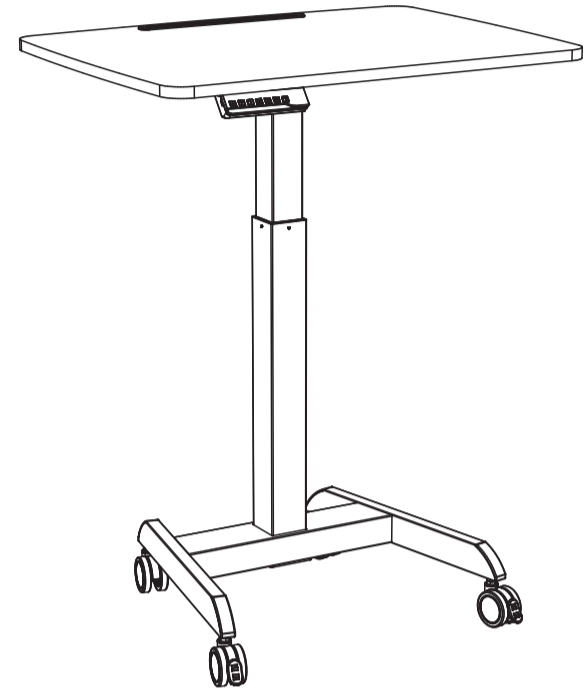
- Remove any obstacles from the area around the desk during assembly and subsequent use.
- Organize all cords and wires to prevent any possible tripping or accidents from occurring.
- Never attempt to modify or change the desk frame or components that operate the desk.
- Don't add anything to the adjustable junctions of the desk frame.
- The desk is rated for Indoor Use Only.



Disposal: The product with this mark indicates that this product shouldn't be disposed with other household wastes throughout the EU. To prevent possible harm to the environment or human health from uncontrolled waste disposal, recycle it responsibly to promote the sustainable reuse of material resources. To return your used device, please use the local recycle service or contact your point of purchase to withdraw the product.

PROKORD

PROKORD TABLE WORKSTATION SMALL 800x600 ADJUSTABLE DUF-083B



1. Operating Instructions:

IMPORTANT NOTE: If this is the first time for the control panel to be used, the system must be RESET as described in the first step shown below.

Reset the System:

1. Press and Hold the "▽" button until the desk moves downward to the lowest position and the display shows "r5t".
2. Do not release the button, the desk will move slightly down and then up again.
3. Release the button when the desk height is re-displayed.
4. The Reset process is complete.

Note: Unplug and Re-Plug the power to your desk whenever you want to reset the system.

Height Adjustment:

Press and hold the "△" / "▽" button to lift/lower the desk to your desired height.

Timer:

- Press "T" to be reminded to change position. Each press of the "T" button leads to an 0.5 hour increment. The maximal setting of time is 2 hours.
- After setting the timer successfully, the indicator light on the top right will be **on**.
- The unit emits 3 beeps to remind the users when the set time is up.
- To erase reminder, press the "T" button until the indicator light on the top right is **off**.

Memory Setting:

To store a memory position, press "M" button and the display will flash "5-". Then press the button 1 / 2 / 3. To recall a previously stored position, press the 1 / 2 / 3 button and the desk starts moving to the desired memory position. Press any button to stop the movement.

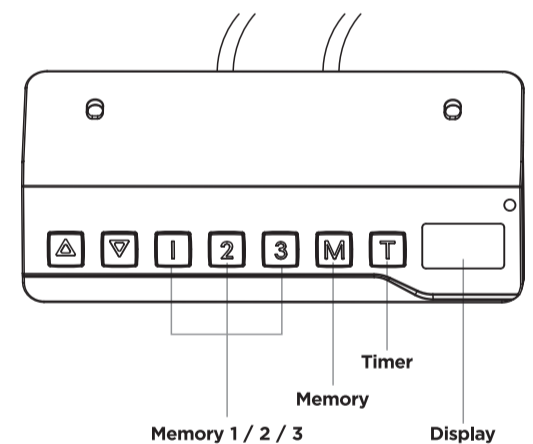
Switching Controller Display Height Between CM and INCHES

Press and hold the "T" button approximately 3-5 seconds. When changing to Metric (CM) you will hear a single audible beep and when changing to Imperial (IN) you will hear two beeps.

NOTE: Unplug and Re-Plug the power to your desk whenever you want to make a change to this setting.

Power-Saving Mode:

The unit will place itself in Power-Saving Mode and the display will go dark when the desk controller has not been used for 1 minute. To reactivate the system simply press any button on the controller.



2. Troubleshooting

Below are Error Codes that may display on the control panel should a problem occur.

| Error Code | Description |
|----------------------|---|
| Er1 | Please check whether the desk is overloaded. Remove the items and re-plug the power. If the problem still exists, please contact your place of purchase for further support. |
| Er2 / Hot | Allow your desk to cool down and remain idle for approximately 20 minutes. If the problem still exists, please contact your place of purchase for further support. |
| Er3 | The cables may be disconnected. Re-insert the cables between the columns and the AC Adapter. Then re-plug the power and reset the system. If the problem still exists, please contact your place of purchase for further support. |
| Er5 | Two possibilities exist: 1. Ensure you are using the original AC adapter that came with your desk. 2. Overloading has occurred. Unplug the desk and remove any excess weight from the desk. Re-plug the power. If the problem still exists, contact your place of purchase for further support. |
| Can't Operate | Make sure power is connected. Unplug and re-plug the power. If the problem still exists, please contact your place of purchase for further support. |

Note:

Weight Overload Protection:

The loaded weight exceeds 88lbs, the desk may begin to automatically lower itself. This is normal and a safety feature designed to reduce the risk of accidents during power outages. Never overload your desk and maintain clean space beneath it at all times. Remove any excess weight only AFTER the desk has come to a complete stop.

Thermal Protection:

"Hot" is displayed if the system has overheated. This is normally nothing to worry about, and usually is an indication that the system has experienced above-normal operating temperature due to possibilities including environment, desktop weight, or activity that is above rated specifications. If Thermal Protection has occurred, stop operating the desk and allow it to remain idle to cool for approximately 20 minutes.

NEVER UNPLUG the power or reset the system if your system is in Overload or Thermal Protection Mode.

