

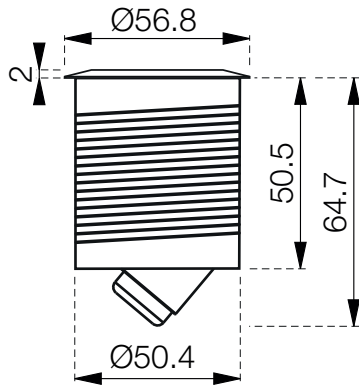


□ 935-PM50W

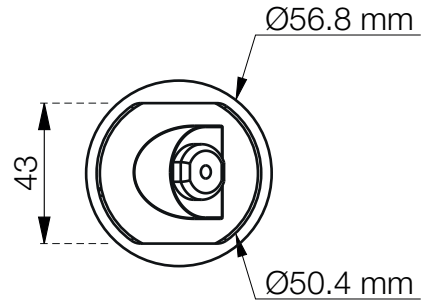
■ 935-PM50

Powerdot MINI - 1 Power

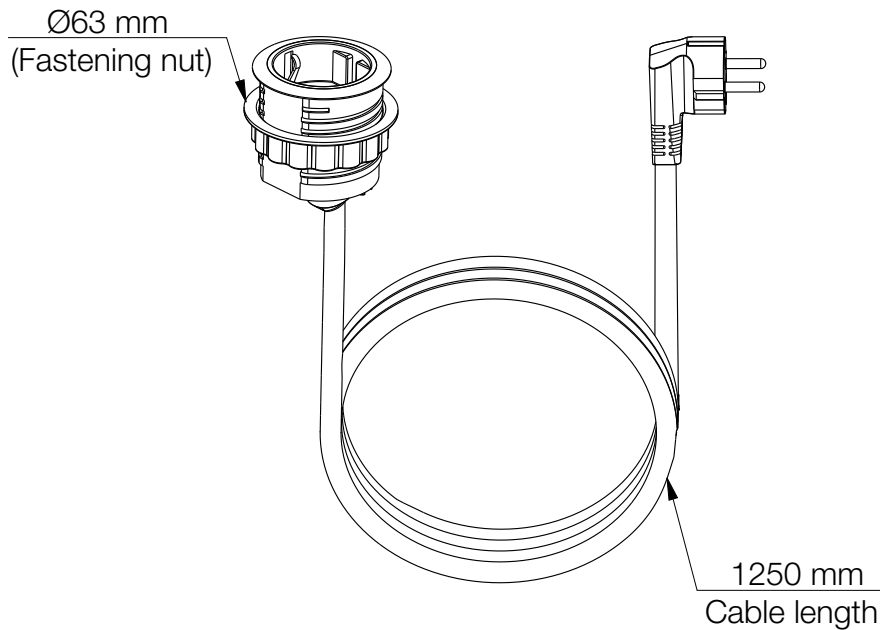
Front View (Grommet)



Bottom View (Grommet)



Oriented view (Grommet, nut & cable)



Maximum table thickness:
Recommended hole cut:

30 mm
 $\text{Ø}51 \text{ mm}$

Revised
191106