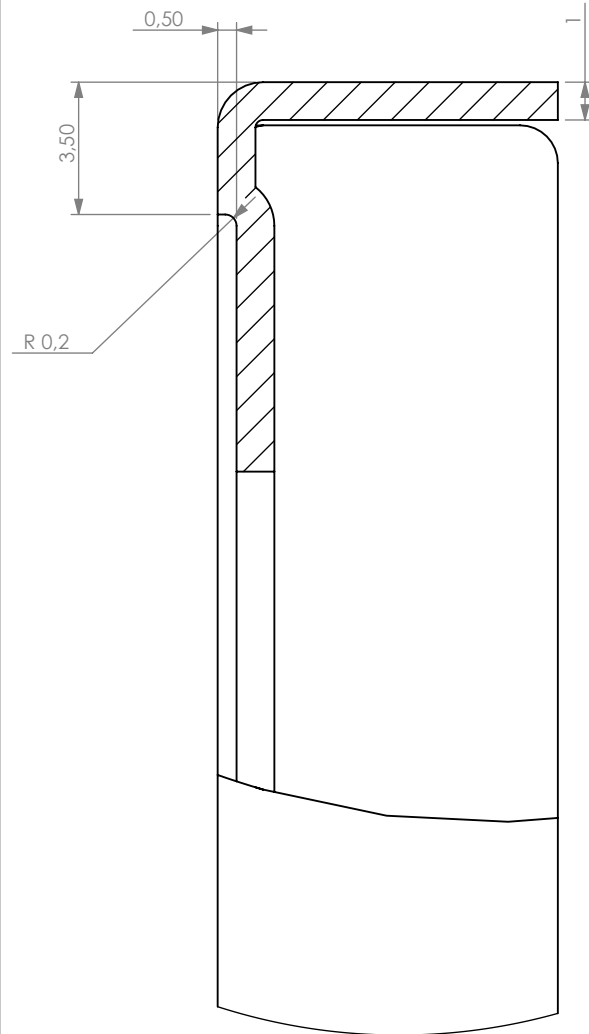
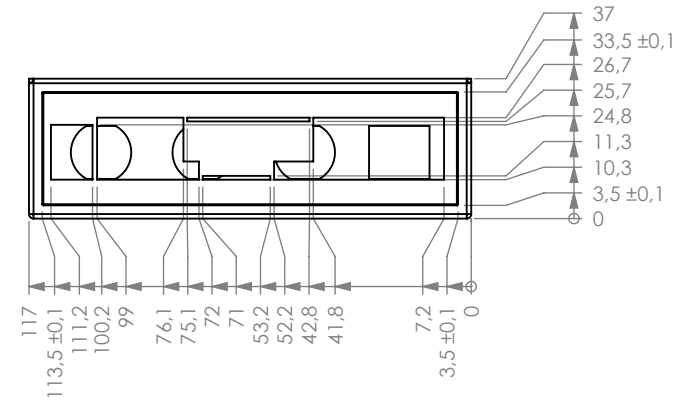
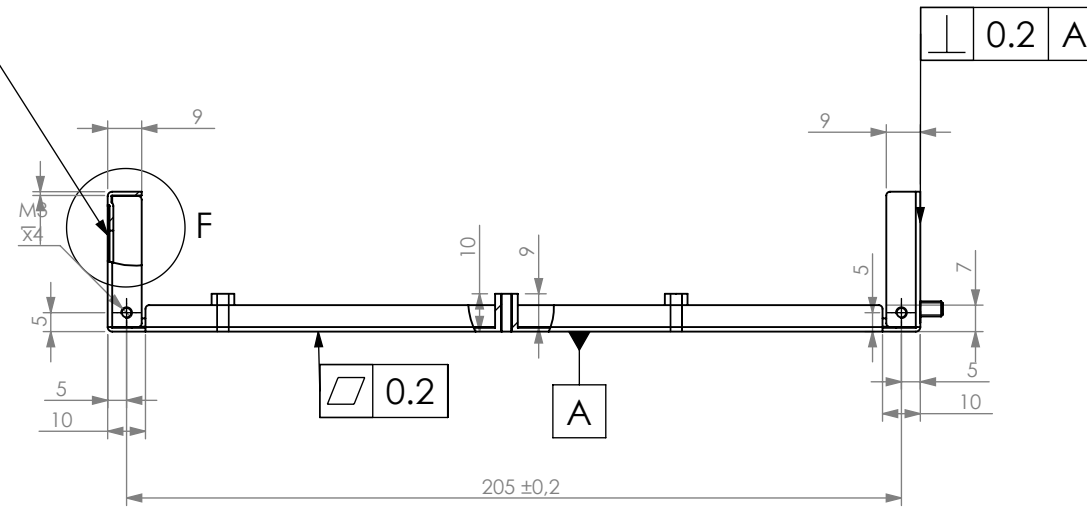
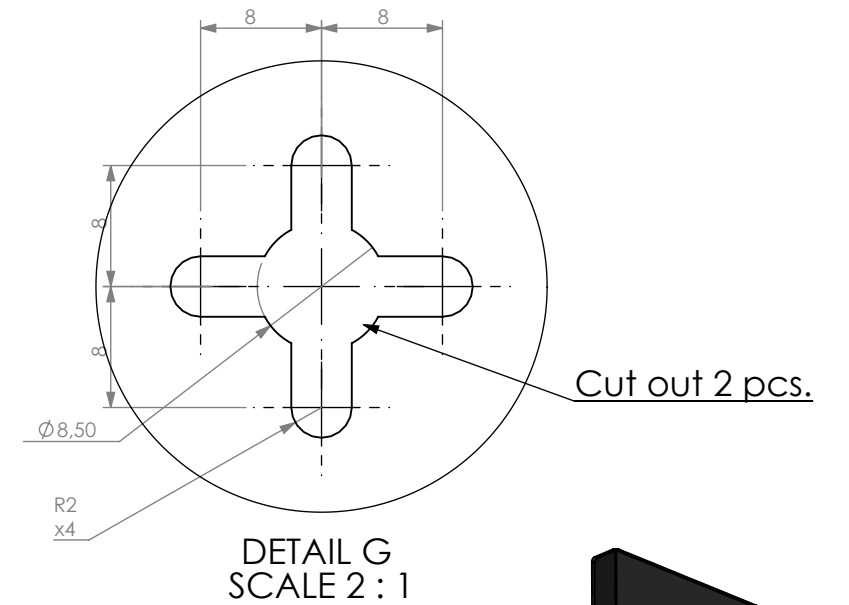
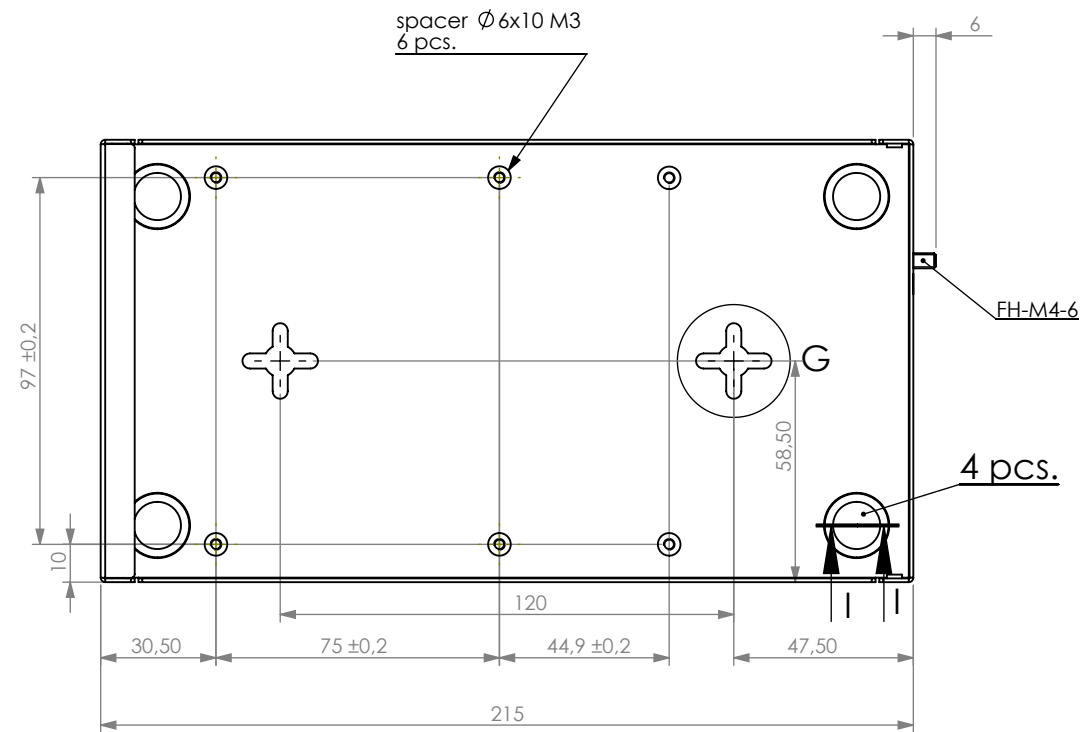


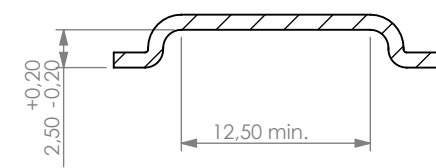
⊥ 0.2 A



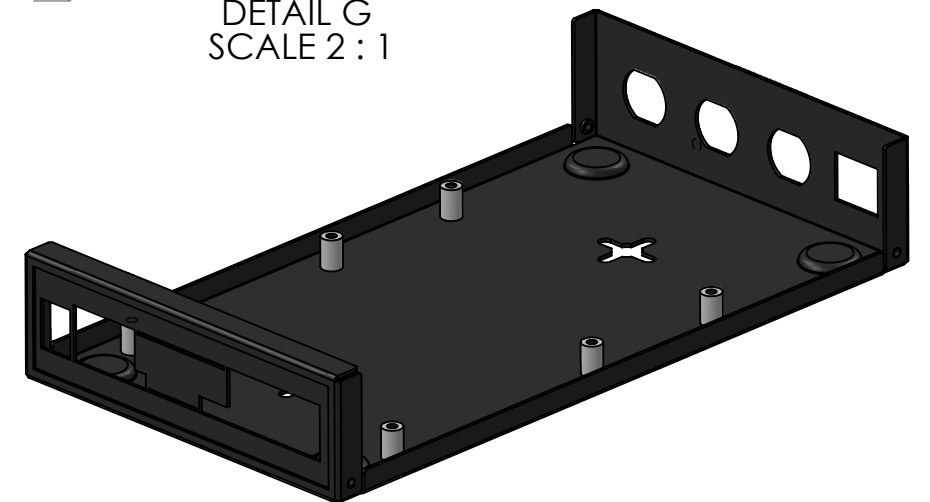
DETAIL F  
SCALE 5 : 1



DETAIL G  
SCALE 2 : 1



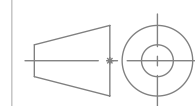
SECTION I-I  
SCALE 2 : 1



1. Unspecified R ≤ 0.2  
 2. Unspecified tolerances: DIN7168/FINE except p.3:  
 External: -IT12  
 Internal: +IT12  
 Others: ±IT12/2  
 3. Hole coordinates with unspecified tolerances  
 Hole pattern  $\Phi 0.2$  for all coordinative dim-s;  
 countersunks -  $\Phi 0.1$

Tolerance		
Nominal	≤	IT12
>	6	0.1
6	30	0.2
30	120	0.3
120	315	0.4
315	1000	0.6
1000	2000	1.0

Do not scale drawing



Finish:  
black  
anodizing

Scale 1:2

Mass:

Material: AlMg3 5754 t=1mm

Date  
Drawn. 2011.11.23. K. Reimats  
Check.  
Approv.

Description:  
RB433 base R0



Drawing code:  
RB433 base R0

A3

sheet 1 of 1

Part ID: Printed: 2011.11.23.