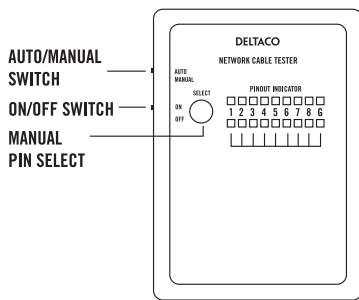


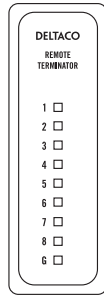
# Pinout

## Network cable tester

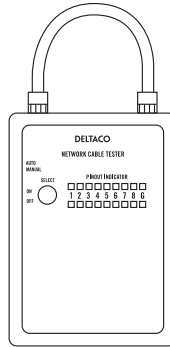


RJ11 screened by LED 3-6  
RJ12 screened by LED 2-7  
RJ45 screened by LED 1-8  
BNC screened by LED 1 and 6

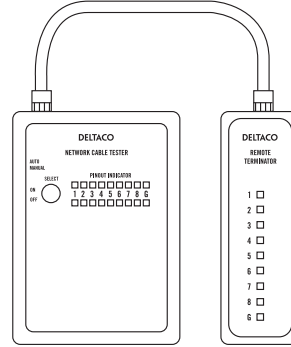
Unlit or asymmetric LEDs indicate pin error.



ALTERNATIVE 1 CABLE TEST



ALTERNATIVE 2A CABLE TEST



ALTERNATIVE 2B INSTALLATION TEST

