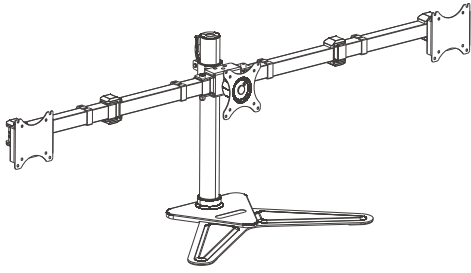


Item No.: DUS123

Installation guide



VESA
75x75
100x100

17°-27°

max
10kg

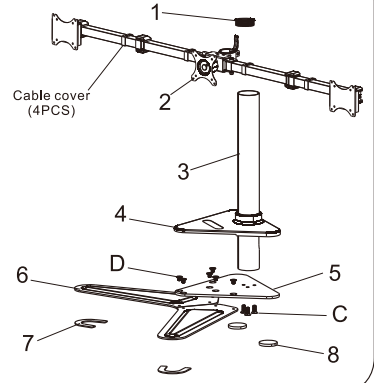
-85° -15°



M4x12MM A(12PCS) M5x12MM B(12PCS) M6x20MM C(3PCS) M6x8MM D(6PCS)

φ6.5x13x2 E(24PCS) 4X4MM F(1PCS) 5X5MM G(1PCS)

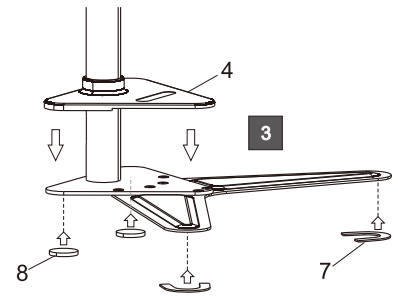
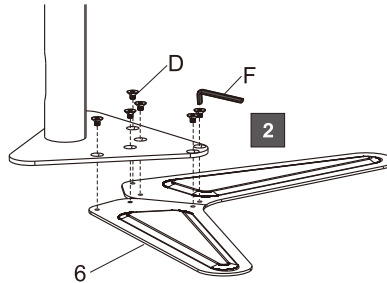
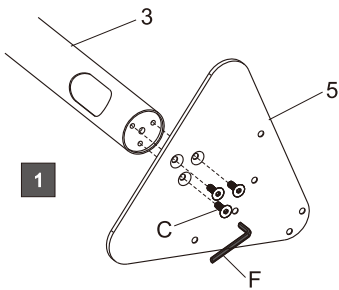
1. Tube Cover 1 (2PCS)
2. TV plate (1PCS)
3. Tube (1PCS)
4. Tube Cover 2 (1PCS)
5. Bottom plate 1 (1PCS)
6. Bottom plate 2 (2PCS)
7. Anti-slip rubber 1 (2PCS)
8. Anti-slip rubber 2 (2PCS)



STEP 1

Install bottom plate

4x4mm
F

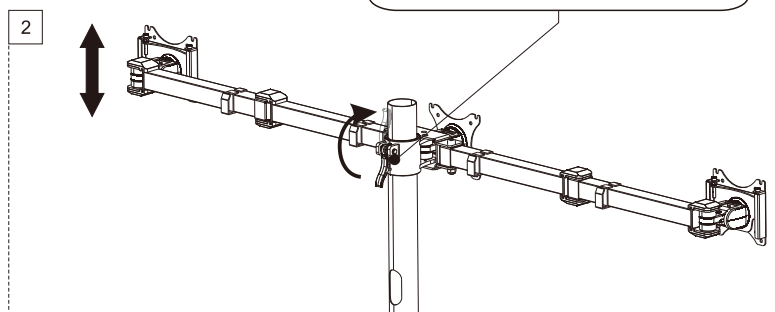
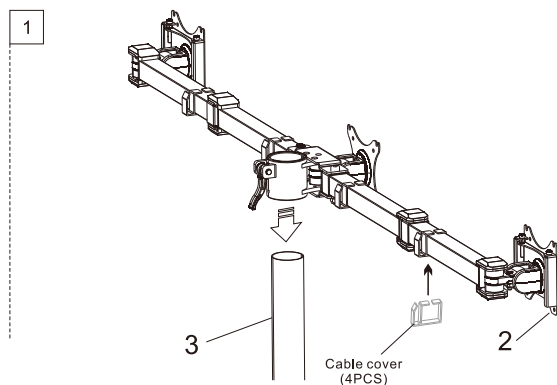


STEP 2

Install TV plate

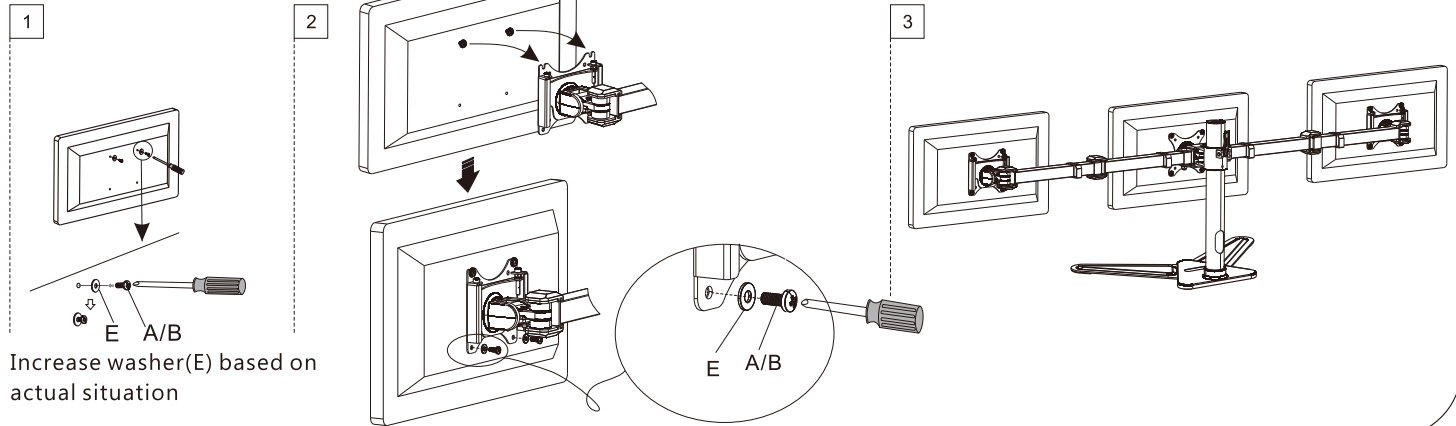
⚠ warning

Make sure the handle here is tightly locked before hang up the screen



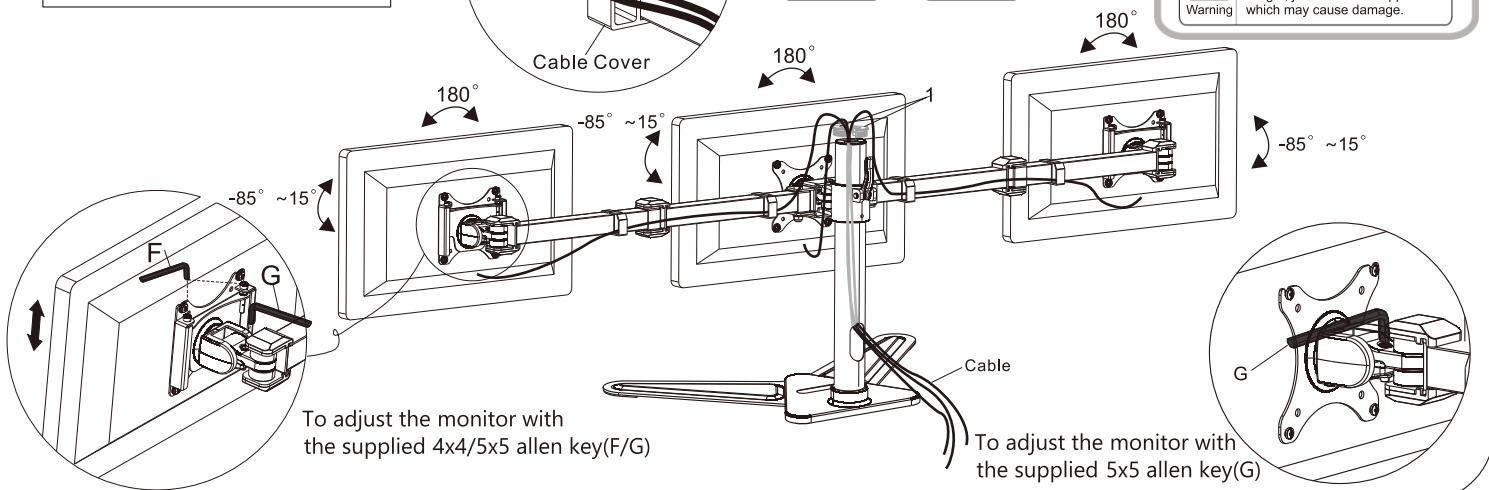
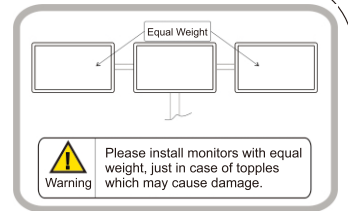
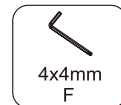
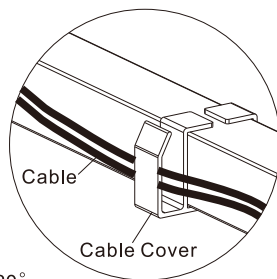
STEP 3

Attaching screen to TV plate



STEP 4

Adjusting screen



CAUTION

This product contains small items that could be a choking hazard if swallowed. Keep these items away from young children.

- Make Sure these instructions are read and completely understood before attempting installation. If you are unsure of any part of this installation, please contact a professional installer for assistance.
- The desk or mounting surface must be capable of supporting the combined weight of the mount and the display, otherwise the structure must be reinforced.
- please check joint parts every two months, making sure the screws are loosened or not.

This product was designed to be installed on desk. Before installing, make sure the mount will support the combined load of the equipment and hardware. Never exceed the maximum load capacity 10 KG, or else it may result in product failure or personal injury.

Note: this product is intended for indoor use only. Use of this product outdoors could lead to product failure or personal injury.