

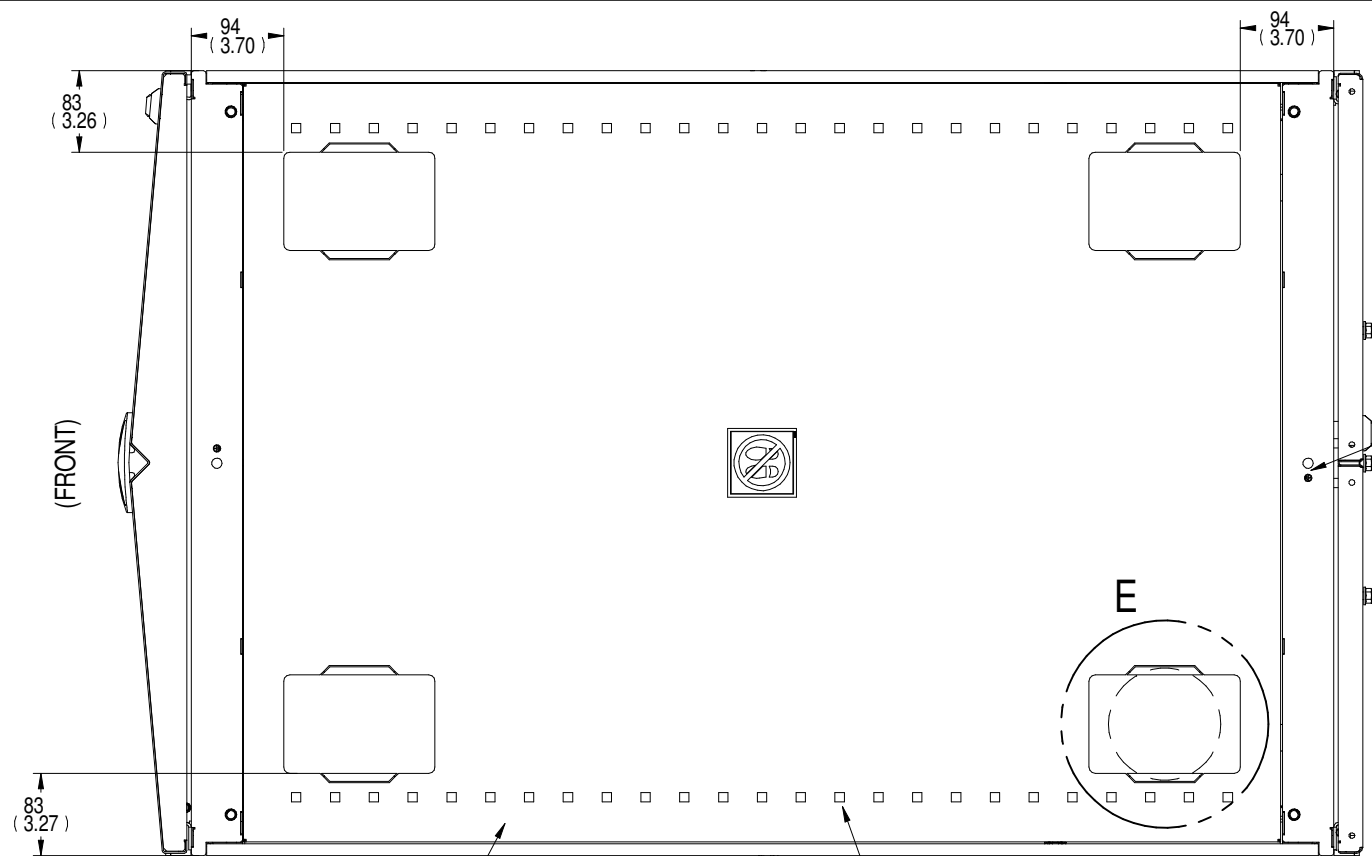
- NOTES:
1. ALL DIMENSIONS ARE MM (INCH), TOLERANCES ±2.5 (±0.1)
 2. UNIT WEIGHT: 165.7 KG (365.3 LBS)
 3. STATIC WEIGHT CAPACITY: 1361 KG (3000 LBS)
 4. DYNAMIC WEIGHT CAPACITY: 1021 KG (2250 LBS)
 5. PACKAGE OF M6 SCREWS, CAGE NUTS INCLUDED.

DRAWN BY: TED BEAVER	SHEET NUMBER: 1 OF 3
CHECKED BY: BRAD REINBOLT	ECN NUMBER: N/A
REFERENCE DRAWING: N/A	QUOTE NUMBER: N/A

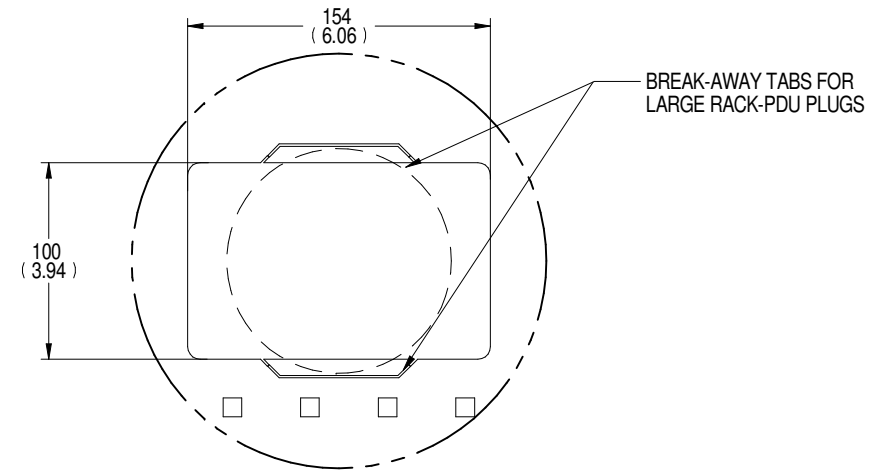
TITLE / DESCRIPTION
VERTIV VR RACK
42U x 800mm W x 1200mm D

VR3350			
DRAWING NUMBER: VR3350-SUBTL	DATE: 04/20/18	REV#: 1	1050 DEARBORN DRIVE P.O. BOX 29186 COLUMBUS, OHIO 43229

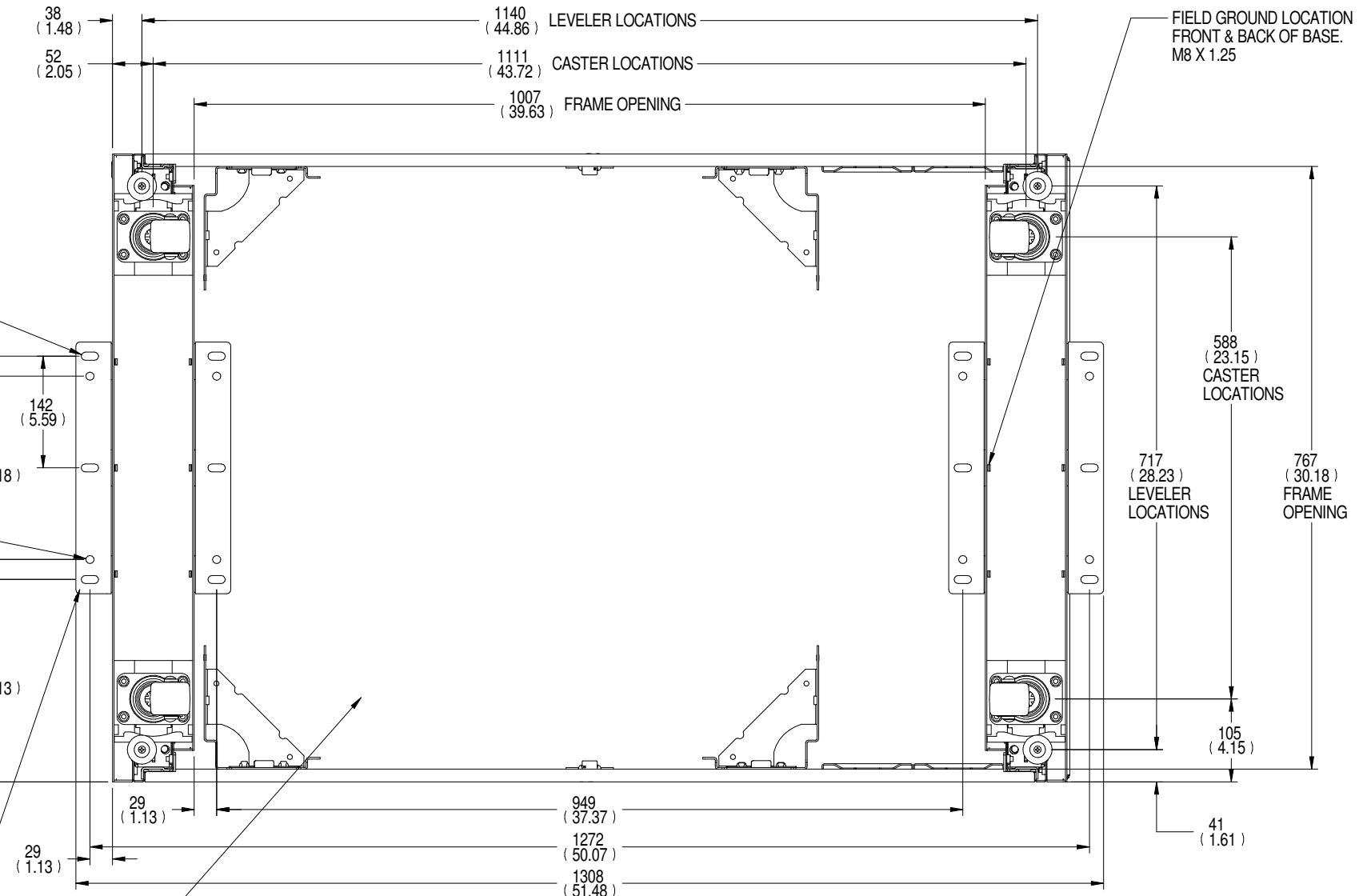




TOP VIEW
CABLE OPENINGS



DETAIL E
TYPICAL (4) PLACES
EDGE GUARD SUPPLIED WITH RACK



BOTTOM VIEW
(TOP PANEL & DOORS HIDDEN)

3/8" SQUARE INDEPENDENT MOUNTING LOCATIONS FOR ACCESSORIES

1.2 (18 GA) TOP PANEL

(2) SHIPPING BRACKETS CAN BE USED FOR FLOOR ANCHORING - (1) FRONT, (1) REAR BRACKETS CAN BE LOCATED INSIDE OR OUTSIDE OF THE FRAME.

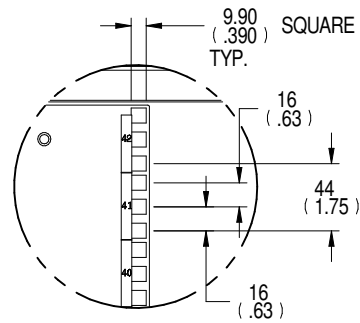
OPEN BOTTOM

DRAWN BY: TED BEAVER	SHEET NUMBER: 2 OF 3
CHECKED BY: BRAD REINBOLT	EON NUMBER: N/A
REFERENCE DRAWING: N/A	QUOTE NUMBER: N/A

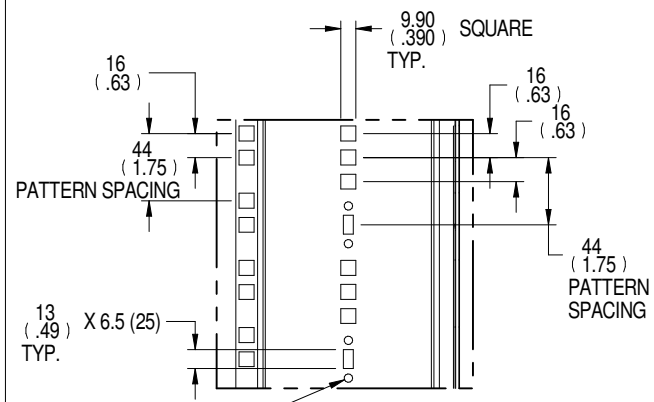
TITLE / DESCRIPTION VERTIV VR RACK 42U x 800mm W x 1200mm D

VR3350			
DRAWING NUMBER: VR3350-SUBTL	DATE: 04/20/18	REV#: 1	1050 DEARBORN DRIVE P.O. BOX 29186 COLUMBUS, OHIO 43229

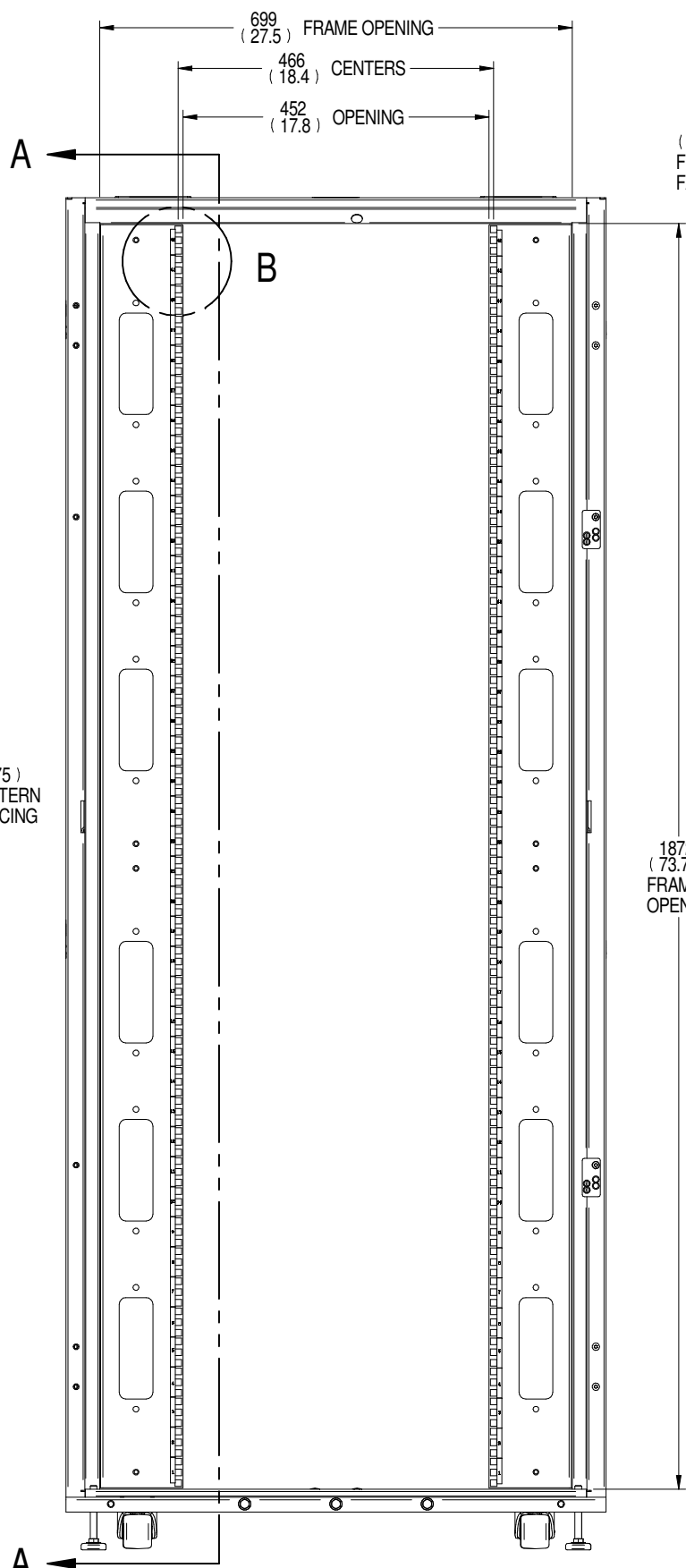




**DETAIL B
RMU DETAIL**

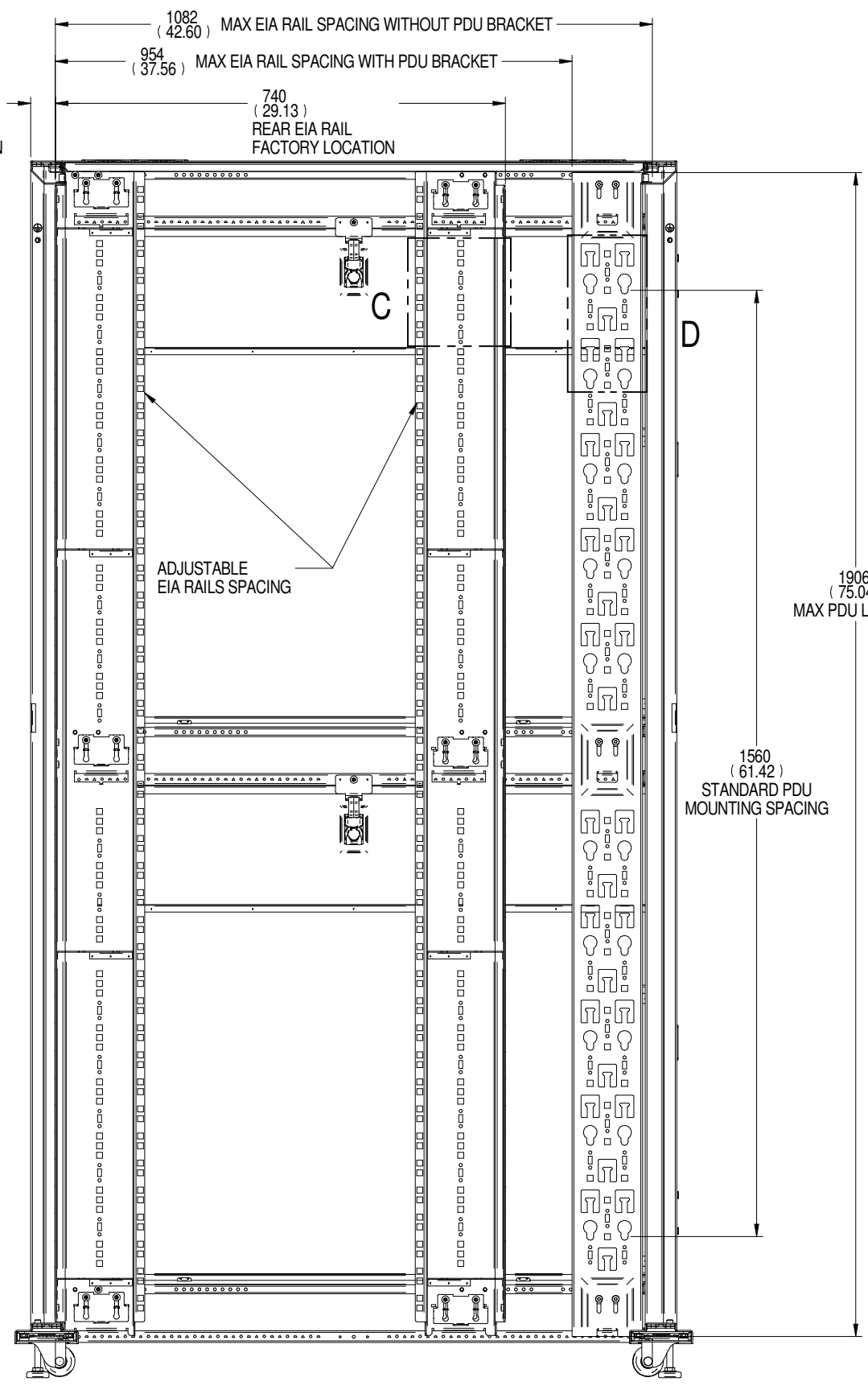


**DETAIL C
OPTIONAL ACCESSORY
LOCATIONS**

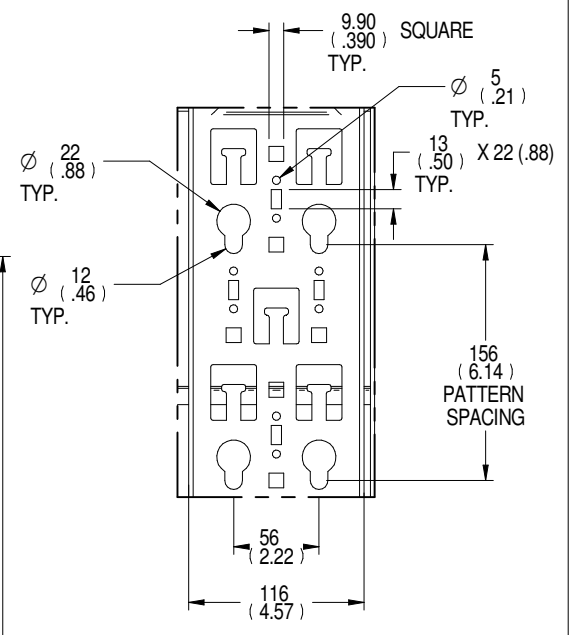


**FRONT VIEW
(DOORS HIDDEN)**

40
(1.59)
FRONT EIA RAIL
FACTORY LOCATION



SECTION A-A



**DETAIL D
PDU BRACKET
DETAIL**

1906
(75.04)
MAX PDU LENGTH

1560
(61.42)
STANDARD PDU
MOUNTING SPACING

DRAWN BY: TED BEAVER	SHEET NUMBER: 3 OF 3
CHECKED BY: BRAD REINBOLT	ECN NUMBER: N/A
REFERENCE DRAWING: N/A	QUOTE NUMBER: N/A

TITLE / DESCRIPTION
VERTIV VR RACK
42U x 800mm W x 1200mm D

VR3350

DRAWING NUMBER: VR3350-SUBTL	DATE: 04/20/18	REV#: 1	1050 DEARBORN DRIVE P.O. BOX 29186 COLUMBUS, OHIO 43229
---------------------------------	-------------------	------------	---

