

NOKIA

Nokia 6300 4G

User Guide

1 About this user guide



Important: For important information on the safe use of your device and battery, read “For your safety” and “Product Safety” info in the printed user guide, or at www.nokia.com/support before you take the device into use. To find out how to get started with your new device, read the printed user guide.

Table of Contents

1	About this user guide	2
2	Table of Contents	3
3	Get started	6
	Keys and parts	6
	Set up and switch on your phone	7
	Charge your phone	11
4	Basics	12
	Explore your phone	12
	Change the volume	12
	Write text	12
	Change the text size	13
5	Connect with your friends and family	14
	Calls	14
	Contacts	14
	Send messages	15
	Send mail	15
6	Personalize your phone	17
	Change the tones	17
	Change the look of your home screen	17
7	Camera	18
	Photos	18
	Videos	18
8	Internet and connections	20
	Browse the web	20
	Bluetooth®	20
	Wi-Fi	20

9 Music and videos	22
Music player	22
Listen to radio	22
Video player	22
Recorder	23
10 Organize your day	24
Clock	24
Calendar	25
Calculator	25
Notes	25
Converter	25
11 Copy content and check the memory	27
Copy content	27
File manager	27
Memory	27
12 Security and privacy	28
Security settings	28
13 Product and safety information	29
For your safety	29
Network services and costs	31
Emergency calls	31
Take care of your device	32
Recycle	33
Crossed-out wheelie bin symbol	33
Battery and charger information	33
Small children	34
Medical devices	34
Implanted medical devices	34

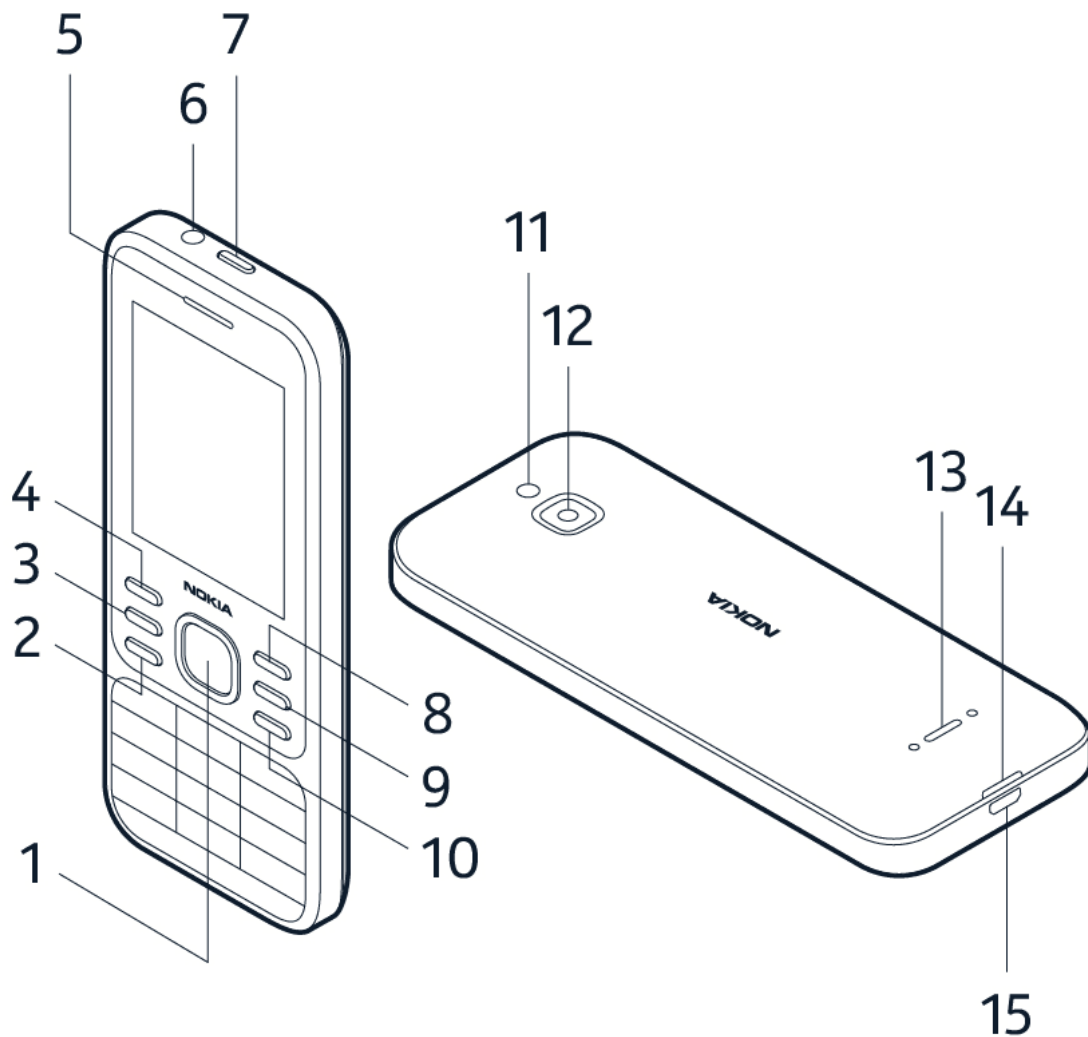
Hearing	35
Protect your device from harmful content	35
Vehicles	35
Potentially explosive environments	36
Certification information (SAR)	36
About Digital Rights Management	37
Copyrights and notices	37

3 Get started

KEYS AND PARTS

Explore the keys and parts of your new phone.

Your phone



This user guide applies to the following models: TA-1286, TA-1291, TA-1287, TA-1294, TA-1307, TA-1324.

The keys and parts of your phone are:

- | | |
|-----------------------|-----------------------|
| 1. Scroll key | 4. Left selection key |
| 2. Call key | 5. Earpiece |
| 3. Multi-function key | 6. Headset connector |

- | | |
|------------------------|-----------------------------|
| 7. Power key | 12. Camera |
| 8. Right selection key | 13. Loudspeaker |
| 9. Back key | 14. Back cover opening slot |
| 10. End key | 15. USB connector |
| 11. Flash | |

To lock the keys, press and hold  and select **Lock**. To unlock the keys, select **Unlock**.

Avoid touching the antenna area while the antenna is in use. Contact with antennas affects the communication quality and may reduce battery life due to higher power level during operation.

Do not connect to products that create an output signal, as this may damage the device. Do not connect any voltage source to the audio connector. If you connect an external device or headset, other than those approved for use with this device, to the audio connector, pay special attention to volume levels. Parts of the device are magnetic. Metallic materials may be attracted to the device. Do not place credit cards or other magnetic storage media near the device, because info stored on them may be erased.

Some of the accessories mentioned in this user guide, such as charger, headset, or data cable, may be sold separately.

SET UP AND SWITCH ON YOUR PHONE

Learn how to insert the SIM card, memory card, and battery, and how to switch on your phone.

Nano-SIM



Important: This device is designed to be used with a nano-SIM card (see figure) only. Use of incompatible SIM cards may damage the card or the device, and may corrupt data stored on the card.

MicroSD memory cards

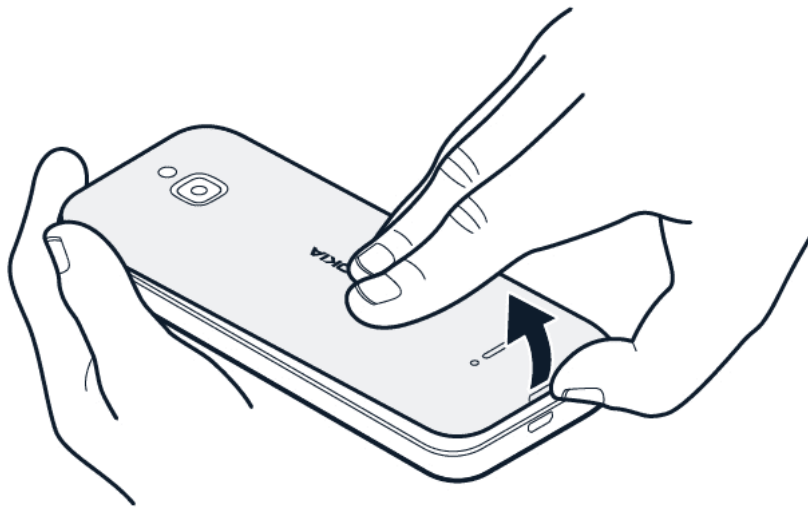


Use only compatible memory cards approved for use with this device. Incompatible cards may damage the card and the device and corrupt data stored on the card.



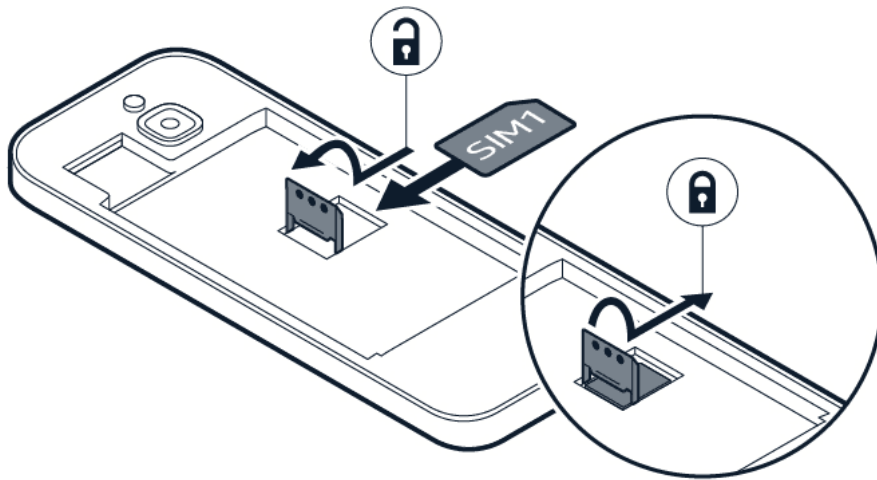
Note: Switch the device off and disconnect the charger and any other device before removing any covers. Avoid touching electronic components while changing any covers. Always store and use the device with any covers attached.

Open the back cover



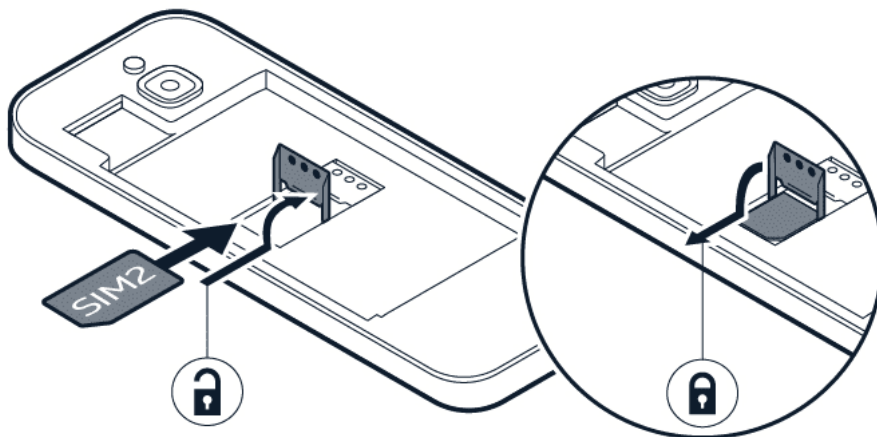
1. Put your fingernail in the small slot at the bottom of the phone, lift and remove the cover.
2. If the battery is in the phone, lift it out.

Insert the SIM card



1. Slide the SIM card holder to the left and open it up.
2. Place the nano-SIM in the SIM slot face down.
3. Close down the holder, and slide it to the right to lock it in place.

Insert the second SIM card

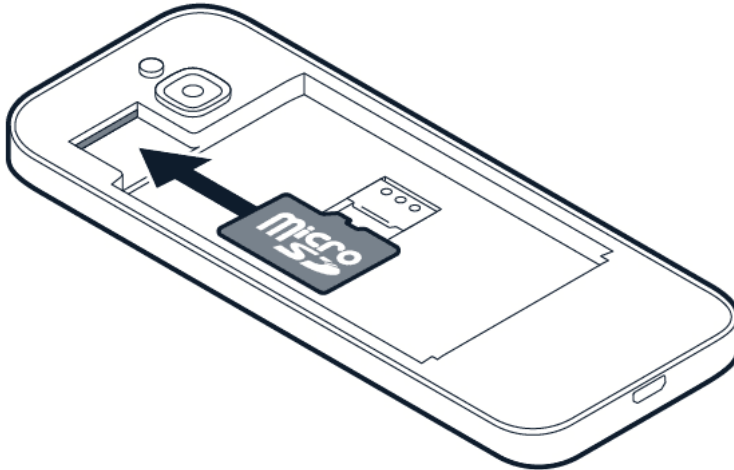


1. Slide the SIM card holder of the SIM2 slot to the right and open it up.
2. Place the nano-SIM in the SIM2 slot face down.
3. Close down the holder, and slide it to the left to lock it in place. Both SIM cards are available at the same time when the device is not being used, but while one SIM card is active, for example, making a call, the other may be unavailable.



Tip: To find out if your phone can use 2 SIM cards, see the label on the sales box. If there are 2 IMEI codes on the label, you have a dual-SIM phone.

Insert the memory card



1. Slide the memory card in the memory card slot.
2. Put back the battery.
3. Put back the cover.

Switch on your phone

Press and hold the power key until the phone vibrates.

Select which SIM card to use

1. Press the scroll key and select **Settings** > **Network & Connectivity** > **SIM manager**.
2. To choose which SIM to use for calls, select **Outgoing Calls**, and select **SIM1** or **SIM2**.
3. To choose which SIM to use for messages, select **Outgoing messages**, and select **SIM1** or **SIM2**.
4. To choose which SIM to use for mobile data, select **Data**, and select **SIM1** or **SIM2**.



Tip: To be able to distinguish your SIM cards, give them a descriptive name. In the **SIM manager** settings, select each SIM card, type in the name, and select **Save**.

CHARGE YOUR PHONE

Your battery has been partially charged at the factory, but you may need to recharge it before you can use your phone.

Charge the battery

1. Plug the charger into a wall outlet.
2. Connect the charger to the phone. When done, unplug the charger from the phone, then from the wall outlet.

If the battery is completely discharged, it may take several minutes before the charging indicator is displayed.



Tip: You can use USB charging when a wall outlet is not available. Data can be transferred while charging the device. The efficiency of USB charging power varies significantly, and it may take a long time for charging to start and the device to start functioning. Make sure your computer is switched on.

Save power

To save power:

1. Charge wisely: always charge the battery fully.
2. Select only the sounds that you need: mute unnecessary sounds, such as keypad sounds.
3. Use a wired headset, rather than the loudspeaker.
4. Change the phone screen settings: set the phone screen to switch off after a short time.
5. Lower the screen brightness.
6. When applicable, use network connections, such as Bluetooth, selectively: switch the connections on only when you are using them.
7. Turn off Wi-Fi hotspot when internet sharing is not needed.

4 Basics

EXPLORE YOUR PHONE

Open the apps list

Press the scroll key.

Open an app or select a feature

Scroll to the app or feature and select **SELECT**.

Go back to the previous view

Press the back key.

Go back to the home screen

Press the end key.

CHANGE THE VOLUME

Turn the volume up or down

Trouble hearing your phone ringing in noisy environments, or calls too loud? You can change the volume to your liking.

To change the volume during a call, press the scroll key up or down.

To change the volume of your media apps, ringtones, alerts, and alarms, press the scroll key and select **Settings**. Scroll right to **Personalization**, and select **Sound** > **Volume**.

To change the volume when listening to the radio or music, select **Options** > **Volume**.

WRITE TEXT

Writing with the keypad is easy and fun.

Write using the keypad

Press a key repeatedly until the letter is shown.

To type in a space, press **0**.

To type in a special character or punctuation mark, press *****.

To switch between character cases, press **#** repeatedly.

To type in a number, press and hold a number key.

The writing method may vary between applications.

CHANGE THE TEXT SIZE

Make the text bigger

Do you want to read bigger text on the display?


1. Press the scroll key and select **Settings**.
2. Scroll right to **Device**, and select **Accessibility** > **Large text** > **On**.

5 Connect with your friends and family

CALLS

Make a call

Learn how to make a call with your new phone.

1. Type in the phone number. To type in the + character, used for international calls, press * twice.
2. Press . If asked, select which SIM to use.

End a call

To end a call, press the end key.

If the phone display has gone to sleep during your phone call, press the power key, and then press the end key to end the call.

Answer a call

Press .

CONTACTS

Add a contact

Save and organize your friends' phone numbers.

1. Press the scroll key and select **Contacts**.
2. Select **New**.
3. Write the name and phone number of the contact.
4. Select **SAVE**.

Select **Options** > **Settings** > **Memory** to select whether to save contacts to the phone memory or the SIM card.

Copy contacts

Copy contacts between your SIM card and the phone.

To copy contacts between your phone and SIM card, in the contacts list, select **Options** > **Copy contacts**, and select whether to copy contacts from the phone or SIM card.

To share a contact with a friend, scroll to the contact, select **Options** > **Share**, then select whether to share the contact using e-mail, messaging, or Bluetooth, for example.

Call a contact

You can call a contact directly from the contacts list.

1. Press the scroll key and select **Contacts**.
2. Scroll to a contact and press **↵**.

SEND MESSAGES

Write and send messages

1. Press the scroll key, and select **Messages** > **New**.
2. In the To field, press # until you are able to enter numbers and then type in a phone number, or select **Add** to add a contact from your contacts list.
3. Write your message. If you need to remove a character, press the back key.
4. Select **Send**. If asked, select which SIM to use.

SEND MAIL

You can use your phone to read and reply to mail when you're on the go.

Add a mail account

When you use the E-Mail app for the first time, you are asked to set up your e-mail account.

1. Press the scroll key and select **E-Mail**.
2. Select **Next** and type in your name and e-mail address.
3. Select **Next** and type in your password.

Write e-mail

1. Press the scroll key and select **E-Mail**.
2. Select **Compose**.
3. In the **To** field, type in an e-mail address.
4. Type in the message subject and the mail.
5. Select **Send**.

6 Personalize your phone

CHANGE THE TONES

You can choose a new ringtone.

Change your ringtone

1. Press the scroll key and select **Settings**.
2. Scroll right to **Personalization** and select **Sound** > **Tones** > **Ringtones**.
3. Scroll to a ringtone and press the scroll key.

CHANGE THE LOOK OF YOUR HOME SCREEN

Choose a new wallpaper

1. Press the scroll key and select **Settings**.
2. Scroll right to **Personalization** and select **Display** > **Wallpaper**.
3. Select **Camera** to take a new photo for the wallpaper, **Gallery** to choose a wallpaper from the photos on your phone, or **Wallpaper** to select from pre-defined wallpapers.

7 Camera

PHOTOS

You don't need a separate camera when your phone has all you need for capturing memories.

Take a photo

Capture the best moments with your phone camera.

1. To switch the camera on, press the scroll key and select **Camera**.
2. To take a photo, press the scroll key.

Take photos with a timer

Want to have time to get in the shot too? Try out the timer.

1. Press the scroll key and select **Camera**.
2. Select **Options**, scroll right to **Self Timer**, and select the time.
3. Press the scroll key to take the photo.

View a photo you have taken

To view the photo right after taking it, select **Preview**. To view the photo later, on the home screen, press the scroll key and select **Gallery**.

VIDEOS

You don't need a separate video camera - record video memories with your phone.

Record a video

Besides taking photos, you can also record videos with your phone.

1. Press the scroll key and select **Camera**.
2. To start recording, scroll right and press the scroll key.
3. To stop recording, press the scroll key.

Watch the recorded video

To view the video right after recording, select **Preview**. To watch the video later, on the home screen, press the scroll key and select **Video**.

8 Internet and connections

BROWSE THE WEB

Connect to the internet

Catch up on the news, and visit your favorite websites on the go.

1. Press the scroll key and select **Internet**.
2. Select **Search Internet**.
3. Write a web address, and select **GO**.
4. Use the scroll key to move the mouse cursor in the browser.

Clear your browsing history

1. Press the scroll key and select **Settings**.
2. Scroll right to **Privacy & Security** and select **Browsing privacy**.
3. Select **Clear browsing history**.

BLUETOOTH®

Connect your phone with Bluetooth to other devices.

Switch on Bluetooth

1. Press the scroll key and select **Settings** > **Network & Connectivity** > **Bluetooth**.
2. Switch **Bluetooth** to **On**.
3. Select **Nearby devices** to find a new device or **Paired devices** to find a device you have paired your phone with previously.

WI-FI

Switch on Wi-Fi

1. Press the scroll key and select **Settings** > **Network & Connectivity** > **Wi-Fi**.
2. Switch **Wi-Fi** to **On**.
3. Select **Available networks** and the network you want, enter a password if needed, and select **Connect**.

Use your phone as a Wi-Fi hotspot

Need a network connection on your laptop? You can use your phone as a Wi-Fi hotspot.

1. Press the scroll key and select **Settings** > **Network & Connectivity** > **Internet sharing**.
2. If you have a dual-SIM phone, select which SIM to use for sharing.
3. Turn **Wi-Fi hotspot** on.

You can now, for example, switch Wi-Fi on in your laptop and connect it to the phone's Wi-Fi hotspot.

9 Music and videos

MUSIC PLAYER

Listen to music

1. Press the scroll key and select **Music**.
2. Select whether you want to view your playlists, artists, albums, or songs.
3. Scroll to a song, and press the scroll key.



Tip: To set a song as ringtone, scroll right to **Songs**, scroll to the song you want, and select **Options** > **Save as ringtone**.

LISTEN TO RADIO

Search for radio stations

You need to connect a compatible headset to listen to the radio. The headset acts as an antenna. Troubleshooting tip: if the radio does not work, make sure that the headset is properly connected.

Press the scroll key and select **FM Radio** > **TURN ON**.

To search for available radio stations, select **Stations** > **Options** > **Scan stations**.

To save a radio station, select **Stations** > **Options** > **Add to favorites**.

To switch to a saved station, select **Stations** > **Favorites** and the station.

To adjust the volume, select **Options** > **Volume** and scroll up or down.

To turn off the radio, select **TURN OFF**.



Tip: To listen to a radio station using the phone's speakers, select **Options** > **Switch to speaker**. Keep the headset connected.

VIDEO PLAYER

Watch your favorite videos wherever you are.

Play a video

1. Press the scroll key and select **Video**.
2. Scroll to the video you want to watch and press the scroll key.
3. Press the scroll key to pause and resume playback while watching the video.

To watch the video in full screen, select **Full Screen**.

To adjust the volume, select **Options** > **Volume**.

To share the video with a friend, select **Options** > **Share**, and select to share using e-mail, messaging, or Bluetooth, for example.



Tip: Not all video formats are supported.

RECORDER

Record a sound clip

1. Press the scroll key and select **Recorder**.
2. To record, select **New** and press the scroll key.
3. To stop recording, select **Done**.

10 Organize your day

CLOCK

Learn how to use the clock and timers to be on time.

Set an alarm

No clock around? Use your phone as an alarm clock.

1. Press the scroll key and select **Clock**.
2. Select **New** > **Time**, use the scroll key to set the time, and select **Save**.
3. If needed, set the alarm to repeat or give the alarm a name.
4. Select **Save**.

If you often need an alarm at the same time, but don't want to set in on repeat, just scroll to the alarm and select **TURN ON**. The alarm sounds at the time you have specified.

Countdown timer

If you need an alarm but don't want to create one in the alarm clock, use the countdown timer. You can, for example, time something that's cooking in the kitchen.

1. Press the scroll key and select **Clock**.
2. Scroll right to **Timer**.
3. Select **SET**, and use the scroll key to set the needed time.
4. Select **START**.

Stopwatch

1. Press the scroll key and select **Clock**.
2. Scroll right to **Stopwatch** and select **START**.
3. Select **Lap** when a lap has been completed.

To stop the stopwatch, select **PAUSE** > **Reset**.

CALENDAR

Need to remember an event? Add it to your calendar.

Add a calendar reminder

1. Press the scroll key and select **Calendar** > **CALENDAR**.
2. Scroll to the date you want and select **Add**.
3. Enter the event details.
4. Select whether to add a reminder to the event.
5. Select **Save**.

CALCULATOR

Learn how to add, subtract, multiply and divide with your phone calculator.

Make a calculation

1. Press the scroll key and select **Calculator**.
2. Enter the first factor of your calculation, use the scroll key to select the operation, and enter the second factor.
3. Press the scroll key to get the result of the calculation.

NOTES

Write a note

1. Press the scroll key and select **Note** > **New**.
2. Write the note and select **Save**.

To share the note, select **Options** > **Share** and the sharing method.

CONVERTER

Need to convert Celsius to Fahrenheit or centimeters to inches? Use the converter.

Convert measurements

1. Press the scroll key and select **Unit Converter**.
2. Select the conversion type.
3. Press the scroll key to open a list of available measurements, and select the one you want to convert from.
4. Scroll to the second measurement, press the scroll key, and select the measurement you want to convert to.
5. Use the number keys to enter the value you want to convert. The converter shows the converted value automatically.

11 Copy content and check the memory

COPY CONTENT

Copy content created by you between your phone and computer.

Copy content between your phone and computer

1. Press the scroll key and select **Settings**.
2. Scroll right to **Storage** and set **USB storage** to **Enabled**.
3. Connect your phone to a compatible computer with a compatible USB cable.
4. On your computer, open a file manager, such as Windows Explorer, and browse to your phone. You can see the content stored on your phone and on the memory card, if inserted.
5. Drag and drop items between your phone and computer.

FILE MANAGER

Need to find those important files quickly? Open the File manager.

Find your files

To find your files quickly, press the scroll key and select **File Manager**. To find items on your phone, select **Internal**. To find items on your memory card, select **SD Card**.

MEMORY

When needed, you can check how much used and how much free memory you have on your phone.

Check the amount of used and free memory

1. Press the scroll key and select **Settings**.
2. Scroll right to **Storage** and check **Media** and **Application data** to see how much memory is consumed and how much is available.

12 Security and privacy

SECURITY SETTINGS

You can edit the available security settings.

Check your apps' permissions

1. Press the scroll key and select **Settings**.
2. Scroll right to **Privacy & Security** and select **App permissions**.
3. Select an app to see what kind of permissions it requests. You can grant or deny permissions.

Manage your internet privacy settings

1. Press the scroll key and select **Settings**.
2. Scroll right to **Privacy & Security** and select **Do not track**.
3. Select whether you want to allow websites to track your browsing.

13 Product and safety information

FOR YOUR SAFETY

Read these simple guidelines. Not following them may be dangerous or against local laws and regulations. For further info, read the complete user guide.

SWITCH OFF IN RESTRICTED AREAS



Switch the device off when mobile phone use is not allowed or when it may cause interference or danger, for example, in aircraft, in hospitals or near medical equipment, fuel, chemicals, or blasting areas. Obey all instructions in restricted areas.

ROAD SAFETY COMES FIRST



Obey all local laws. Always keep your hands free to operate the vehicle while driving. Your first consideration while driving should be road safety.

INTERFERENCE



All wireless devices may be susceptible to interference, which could affect performance.

AUTHORIZED SERVICE



Only authorized personnel may install or repair this product.

BATTERIES, CHARGERS, AND OTHER ACCESSORIES



Use only batteries, chargers, and other accessories approved by HMD Global Oy for use with this device. Do not connect incompatible products.

KEEP YOUR DEVICE DRY



If your device is water-resistant, see its IP rating in the device's technical specifications for more detailed guidance.

PROTECT YOUR HEARING



To prevent possible hearing damage, do not listen at high volume levels for long periods. Exercise caution when holding your device near your ear while the loudspeaker is in use.

SAR



This device meets RF exposure guidelines when used either in the normal use position against the ear or when positioned at least 1.5 centimetres (5/8 inch) away from the body. The specific maximum SAR values can be found in the Certification Information (SAR) section of this user guide. For more information, see the Certification Information (SAR) section of this user guide or go to www.sar-tick.com.

NETWORK SERVICES AND COSTS

Using some features and services, or downloading content, including free items, require a network connection. This may cause the transfer of large amounts of data, which may result in data costs. You may also need to subscribe to some features.

EMERGENCY CALLS



Important: Connections in all conditions cannot be guaranteed. Never rely solely on any wireless phone for essential communications like medical emergencies.

Before making the call:

- Switch the phone on.

- If the phone screen and keys are locked, unlock them.
 - Move to a place with adequate signal strength.
1. Press the end key repeatedly, until the home screen is shown.
 2. Type in the official emergency number for your present location. Emergency call numbers vary by location.
 3. Press the call key.
 4. Give the necessary info as accurately as possible. Do not end the call until given permission to do so.

You may also need to do the following:

- Put a SIM card in the phone.
- If your phone asks for a PIN code, type in the official emergency number for your present location, and press the call key.
- Switch the call restrictions off in your phone, such as call barring, fixed dialling, or closed user group.

TAKE CARE OF YOUR DEVICE

Handle your device, battery, charger and accessories with care. The following suggestions help you keep your device operational.

- Keep the device dry. Precipitation, humidity, and all types of liquids or moisture can contain minerals that corrode electronic circuits.
- Do not use or store the device in dusty or dirty areas.
- Do not store the device in high temperatures. High temperatures may damage the device or battery.
- Do not store the device in cold temperatures. When the device warms to its normal temperature, moisture can form inside the device and damage it.
- Do not open the device other than as instructed in the user guide.
- Unauthorized modifications may damage the device and violate regulations governing radio devices.
- Do not drop, knock, or shake the device or the battery. Rough handling can break it.
- Only use a soft, clean, dry cloth to clean the surface of the device.
- Do not paint the device. Paint can prevent proper operation.
- Keep the device away from magnets or magnetic fields.
- To keep your important data safe, store it in at least two separate places, such as your device, memory card, or computer, or write down important info.

During extended operation, the device may feel warm. In most cases, this is normal. To avoid getting too warm, the device may automatically slow down, close apps, switch off charging, and if necessary, switch itself off. If the device is not working properly, take it to the nearest authorized service facility.

RECYCLE



Always return your used electronic products, batteries, and packaging materials to dedicated collection points. This way you help prevent uncontrolled waste disposal and promote the recycling of materials. Electrical and electronic products contain a lot of valuable materials, including metals (such as copper, aluminum, steel, and magnesium) and precious metals (such as gold, silver, and palladium). All materials of the device can be recovered as materials and energy.

CROSSED-OUT WHEELIE BIN SYMBOL

Crossed-out wheelie bin symbol



The crossed-out wheelie bin symbol on your product, battery, literature, or packaging reminds you that all electrical and electronic products and batteries must be taken to separate collection at the end of their working life. Do not dispose of these products as unsorted municipal waste: take them for recycling. For info on your nearest recycling point, check with your local waste authority.

BATTERY AND CHARGER INFORMATION

Battery and charger safety info

To unplug a charger or an accessory, hold and pull the plug, not the cord.

When your charger is not in use, unplug it. If left unused, a fully charged battery will lose its charge over time.

Always keep the battery between 59°F and 77°F (15°C and 25°C) for optimal performance. Extreme temperatures reduce the capacity and lifetime of the battery. A device with a hot or cold battery may not work temporarily. Accidental short-circuiting can happen when a metallic object touches the metal strips on the battery. This may damage the battery or the other object.

Do not dispose of batteries in a fire as they may explode. Obey local regulations. Recycle when possible. Do not dispose as household waste.

Do not dismantle, cut, crush, bend, puncture, or otherwise damage the battery in any way. If a battery leaks, do not let liquid touch skin or eyes. If this happens, immediately flush the affected areas with water, or seek medical help. Do not modify, attempt to insert foreign objects into the battery, or immerse or expose it to water or other liquids. Batteries may explode if damaged.

Use the battery and charger for their intended purposes only. Improper use, or use of unapproved or incompatible batteries or chargers may present a risk of fire, explosion, or other hazard, and may invalidate any approval or warranty. If you believe the battery or charger is damaged, take it to a service centre or your phone dealer before continuing to use it. Never use a damaged battery or charger. Only use the charger indoors. Do not charge your device during a lightning storm.

SMALL CHILDREN

Your device and its accessories are not toys. They may contain small parts. Keep them out of the reach of small children.

MEDICAL DEVICES

Operation of radio transmitting equipment, including wireless phones, may interfere with inadequately shielded medical devices' function. Consult a physician or the medical device's manufacturer to determine if it is adequately shielded from external radio energy.

IMPLANTED MEDICAL DEVICES

To avoid potential interference, manufacturers of implanted medical devices recommend a minimum separation of 15.3 centimeters (6 inches) between a wireless device and the medical device. Persons who have such devices should:

- Always keep the wireless device more than 15.3 centimeters (6 inches) from the medical device.
- Not carry the wireless device in a breast pocket.
- Hold the wireless device to the ear

opposite the medical device.

- Switch the wireless device off if there is any reason to suspect that interference is

taking place.

- Follow the manufacturer directions for the implanted medical device.

If you have any questions about using your wireless device with an implanted medical device, consult your health care provider.

HEARING



Warning: When you use the headset, your ability to hear outside sounds may be affected. Do not use the headset where it can endanger your safety.

Some wireless devices may interfere with some hearing aids.

PROTECT YOUR DEVICE FROM HARMFUL CONTENT

Your device may be exposed to viruses and other harmful content. Take the following precautions:

- Be cautious when opening messages. They may contain malicious software or otherwise be harmful to your device or computer.
- Be cautious when accepting connectivity requests, browsing the internet, or downloading content. Do not accept Bluetooth connections from sources you do not trust.
- Only install and use services and software from sources that you trust and that offer adequate security and protection.
- Install antivirus and other security software on your device and any connected computer. Only use one antivirus app at a time. Using more may affect performance and operation of the device and/or computer.
- If you access preinstalled bookmarks and links to third party internet sites, take the appropriate precautions. HMD Global does not endorse or assume liability for such sites.

VEHICLES

Radio signals may affect improperly installed or inadequately shielded electronic systems in vehicles. For more info, check with the manufacturer of your vehicle or its equipment. Only authorized personnel should install the device in a vehicle. Faulty installation may be dangerous and invalidate your warranty. Check regularly that all wireless device equipment in your vehicle is mounted and operating properly. Do not store or carry flammable or explosive materials in the same compartment as the device, its parts, or accessories. Do not place your device or accessories in the air bag deployment area.

POTENTIALLY EXPLOSIVE ENVIRONMENTS

Switch your device off in potentially explosive environments, such as near gasoline pumps. Sparks may cause an explosion or fire resulting in injury or death. Note restrictions in areas with fuel; chemical plants; or where blasting operations are in progress. Areas with a potentially explosive environment may not be clearly marked. These usually are areas where you are advised to switch your engine off, below deck on boats, chemical transfer or storage facilities, and where the air contains chemicals or particles. Check with the manufacturers of vehicles using liquefied petroleum gas (such as propane or butane) if this device can be safely used in their vicinity.

CERTIFICATION INFORMATION (SAR)

This mobile device meets guidelines for exposure to radio waves.

Your mobile device is a radio transmitter and receiver. It is designed not to exceed the limits for exposure to radio waves (radio frequency electromagnetic fields), recommended by international guidelines from the independent scientific organization ICNIRP. These guidelines incorporate substantial safety margins that are intended to assure the protection of all persons regardless of age and health. The exposure guidelines are based on the Specific Absorption Rate (SAR), which is an expression of the amount of radio frequency (RF) power deposited in the head or body when the device is transmitting. The ICNIRP SAR limit for mobile devices is 2.0 W/kg averaged over 10 grams of tissue.

SAR tests are carried out with the device in standard operating positions, transmitting at its highest certified power level, in all its frequency bands.

Please refer to www.nokia.com/phones/sar for the maximum SAR value of the device.

This device meets RF exposure guidelines when used against the head or when positioned at least 5/8 inch (1.5 centimetres) away from the body. When a carry case, belt clip or other form of device holder is used for body-worn operation, it should not contain metal and should provide at least the above stated separation distance from the body.

To send data or messages, a good connection to the network is needed. Sending may be delayed until such a connection is available. Follow the separation distance instructions until the sending is finished.

During general use, the SAR values are usually well below the values stated above. This is because, for purposes of system efficiency and to minimize interference on the network, the operating power of your mobile is automatically decreased when full power is not needed for the call. The lower the power output, the lower the SAR value.

Device models may have different versions and more than one value. Component and design changes may occur over time and some changes could affect SAR values.

For more info, go to www.sar-tick.com. Note that mobile devices may be transmitting even if you are not making a voice call.

The World Health Organization (WHO) has stated that current scientific information does not indicate the need for any special precautions when using mobile devices. If you are interested

in reducing your exposure, they recommend you limit your usage or use a hands-free kit to keep the device away from your head and body. For more information and explanations and discussions on RF exposure, go to the WHO website at www.who.int/peh-emf/en.

ABOUT DIGITAL RIGHTS MANAGEMENT

When using this device, obey all laws and respect local customs, privacy and legitimate rights of others, including copyrights. Copyright protection may prevent you from copying, modifying, or transferring photos, music, and other content.

COPYRIGHTS AND NOTICES

Copyrights and other notices

The availability of products, features, apps and services may vary by region. For more info, contact your dealer or your service provider. This device may contain commodities, technology or software subject to export laws and regulations from the US and other countries. Diversion contrary to law is prohibited.

The contents of this document are provided "as is". Except as required by applicable law, no warranties of any kind, either express or implied, including, but not limited to, the implied warranties of merchantability and fitness for a particular purpose, are made in relation to the accuracy, reliability or contents of this document. HMD Global reserves the right to revise this document or withdraw it at any time without prior notice.

To the maximum extent permitted by applicable law, under no circumstances shall HMD Global or any of its licensors be responsible for any loss of data or income or any special, incidental, consequential or indirect damages howsoever caused.

Reproduction, transfer or distribution of part or all of the contents in this document in any form without the prior written permission of HMD Global is prohibited. HMD Global operates a policy of continuous development. HMD Global reserves the right to make changes and improvements to any of the products described in this document without prior notice.

HMD Global does not make any representations, provide a warranty, or take any responsibility for the functionality, content, or end-user support of third-party apps provided with your device. By using an app, you acknowledge that the app is provided as is.

Downloading of maps, games, music and videos and uploading of images and videos may involve transferring large amounts of data. Your service provider may charge for the data transmission. The availability of particular products, services and features may vary by region. Please check with your local dealer for further details and availability of language options.

Certain features, functionality and product specifications may be network dependent and subject to additional terms, conditions, and charges.

All specifications, features and other product information provided are subject to change without notice.

HMD Global Privacy Policy, available at <http://www.nokia.com/phones/privacy>, applies to your use of the device.

HMD Global Oy is the exclusive licensee of the Nokia brand for phones & tablets. Nokia is a registered trademark of Nokia Corporation.

The Bluetooth word mark and logos are owned by the Bluetooth SIG, Inc. and any use of such marks by HMD Global is under license.