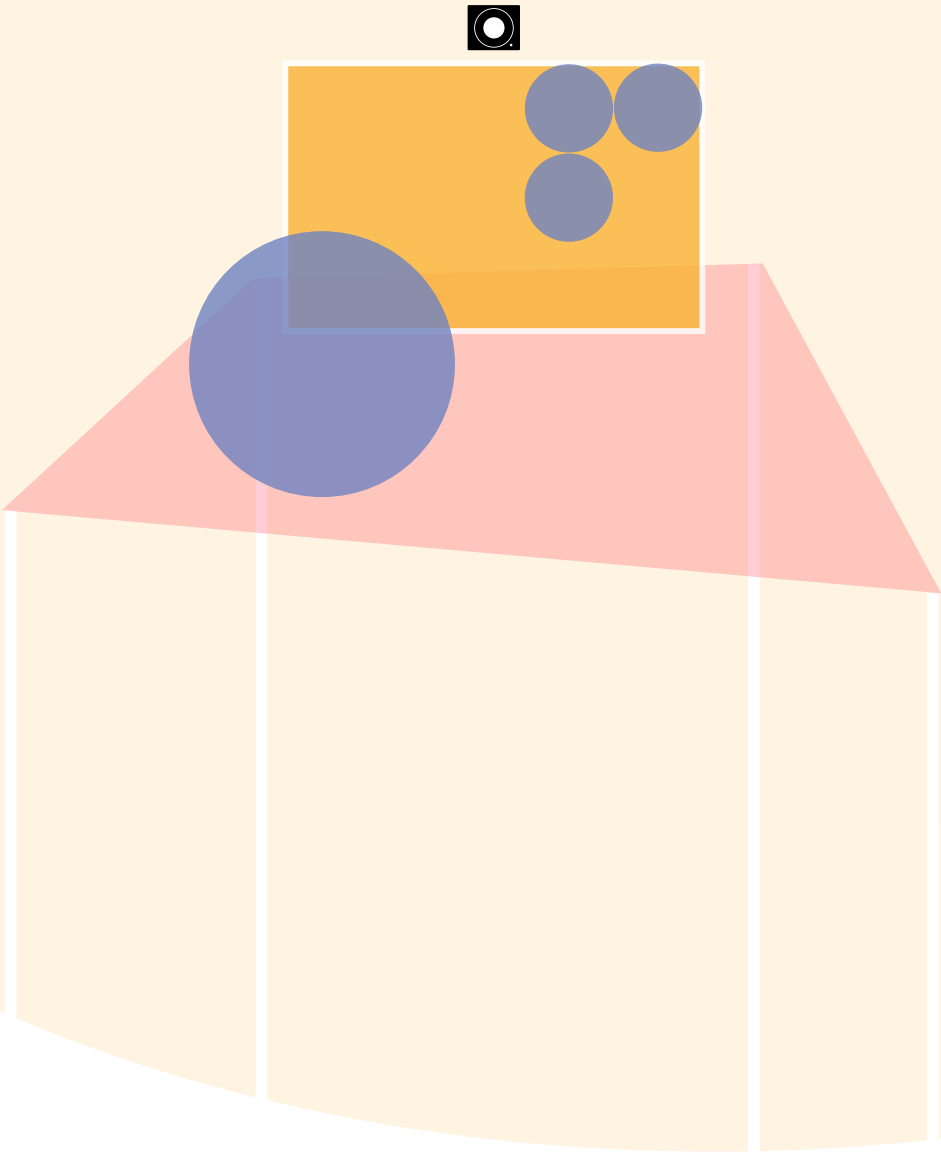


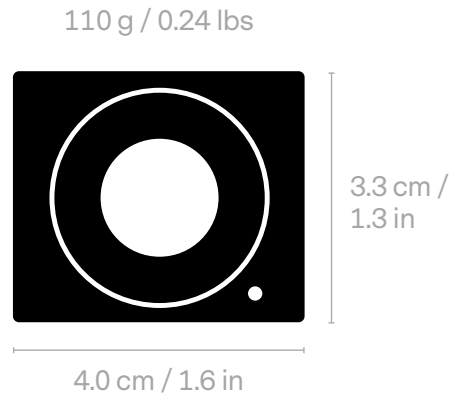
Huddly GO

Work from home kit



Huddly GO

Spec Sheet



Features

- High-quality scaling and dewarping
- 3D noise reduction
- Automatic white balance and color correction
- Optical aberration correction
- 4x digital zoom
- Low latency video processing

Image

- 16 Megapixels 1/2.3" CMOS Sensor
- 720p HD @ 30 fps
- 16:9 aspect ratio output
- UVC 1.1 Plug & Play Compatible
- MJPEG, YUV 4:2:2 and 4:2:0 support over USB 3
- MJPEG support over USB 2

Connection Types

- USB Type-C connector
- SuperSpeed USB 3
- HighSpeed USB 2*
- Power requirement 5V 900mA

Optics

- Ultra-wide angle glass optics
- Horizontal field of view 120°
- Vertical field of view 90°
- Diagonal field of view 150°
- f/2.8 aperture

Hardware Specifications

- High-performance video processing engine
- Embedded mounting hinge
- Camera tripod mount

Color

- Matte gray

*Requires 5V 900 mA power supply

Huddly GO

Features

Ultra Wide-Angle

Huddly GO's 150° wide-angle lens lets you capture everyone in the room, transforming even the smallest rooms into high quality conference suites

Dynamic Light Optimization

Auto-adjusts to your lighting conditions so you'll always look your best, no matter where you are

High Precision Aspherical Optics

Six-element glass lens

Visual Noise Filtering

Bias compensating spatio-temporal filtering with wide area chroma filtering

Real-Time Dewarping

The wide-angle image is dewarped and perspective corrected in real time, rendering a natural, true-life view

Self-Upgrading Huddly Vision Software

Regular updates to our Huddly Vision software mean that with a single click, your camera will continue to improve with new, cutting-edge features

SuperSpeed USB 3.0

HD 720p 30fps output

180° Auto-Flip

When mounted upside down, the camera automatically provides the correct view

Embedded Mounting Hinge

Easily attaches to any TV screen, laptop or monitor

Image Sensor

The 16 MegaPixel 1/2.3" CMOS sensor delivers immersive, crystal-clear HD video

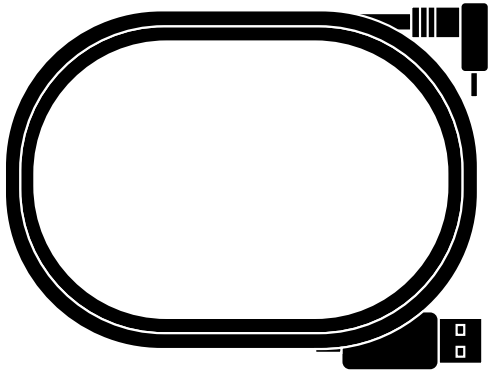
Camera Tripod Mount

For flexible mounting on tripods and Huddly mounting brackets

Digital Pan/Tilt/Zoom

Huddly GO has no moving parts, making it compact and silent, as well as more reliable and accurate. Instantly pan, tilt and zoom digitally up to 4 times

USB 3 Type C to A Cable 1.15 m Spec Sheet



Dimensions & type

Length:	1.15 m
Host side plug type:	Type A
Host side plug dimensions:	34 (length), 15 (width), 7 (height) mm
Device side plug type:	Angled Type-C
Device side plug dimensions:	17.8 (length), 12.3 (width), 20 (height) mm
Color:	Black
Weight:	46 g
Cable diameter:	4.5 mm
Minimum bend radius of cable:	15 mm

Temperature

Operating temperature:	0 - 50°C
------------------------	----------

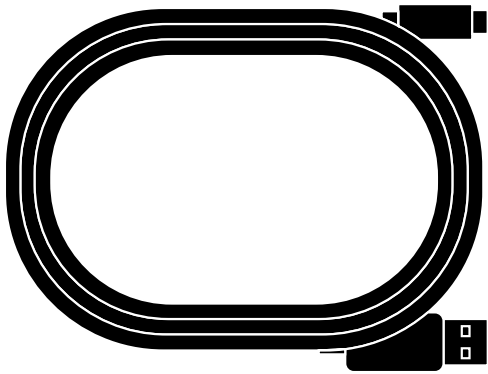
USB support

USB 1.1 FS/ 2.0 HS support
USB 3.1 Gen 1 support (5 Gbps)

Power

Cable power supply required:	No
Cable power supply information:	N/A
Cable AWG:	22 (PWR) 32 (USB 2) 28 (USB 3)
Insertion loss:	-16.5dB @ 7.5GHz -3.1dB @ 400Mhz
Voltage:	5 V
Rated current (max):	3 A

USB 3 Type C to A Cable 0.6 m Spec Sheet



GTIN Number: 7090043790290

Dimensions & type

Length:	0.6 m
Host side plug type:	Type A
Host side plug dimensions:	35 (length), 16 (width), 7 (height) mm
Device side plug type:	Type-C
Device side plug dimensions:	26.7 (length), 12.3 (width), 6.4 (height) mm
Color:	Black
Weight:	24 g
Cable diameter:	4.0 mm
Minimum bend radius of cable:	15 mm

Temperature

Operating temperature:	0 - 50°C
------------------------	----------

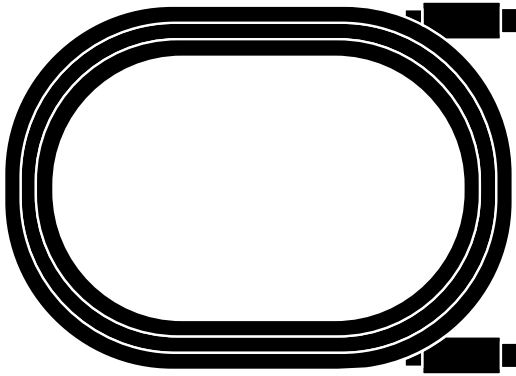
USB support

USB 1.1 FS/ 2.0 HS support
USB 3.1 Gen 1 support (5 Gbps)

Power

Cable power supply required:	No
Cable power supply information:	N/A
Cable AWG:	23 (PWR) 30 (USB 2) 32 (USB 3)
Insertion loss:	-10 dB @ 7.5GHz (SS) -5.8dB @ 400MHz (DD)
Voltage:	5 V
Rated current (max):	2 A

USB 3 Type C to C Cable 0.6 m Spec Sheet



GTIN Number: 7090043790313

Dimensions & type

Length:	0.6 m
Host side plug type:	Type-C
Host side plug dimensions:	27 (length), 12.4 (width), 6.5 (height) mm
Device side plug type:	Type-C
Device side plug dimensions:	27 (length), 12.4 (width), 6.5 (height) mm
Color:	Black
Weight:	29 g
Cable diameter:	4.0 mm
Minimum bend radius of cable:	15 mm

Temperature

Operating temperature:	0 - 50°C
------------------------	----------

USB support

USB 1.1 FS/ 2.0 HS support
USB 3.1 Gen 1 support (5 Gbps)

Power

Cable power supply required:	No
Cable power supply information:	N/A
Cable AWG:	26 (PWR) 32 (USB 2) 34 (USB 3)
Voltage:	5 V
Rated current (max):	900 mA