

Dell EMC PowerEdge R240

Technical Specifications Guide

Notes, cautions, and warnings

 **NOTE:** A NOTE indicates important information that helps you make better use of your product.

 **CAUTION:** A CAUTION indicates either potential damage to hardware or loss of data and tells you how to avoid the problem.

 **WARNING:** A WARNING indicates a potential for property damage, personal injury, or death.

© 2018 Dell Inc. or its subsidiaries. All rights reserved. Dell, EMC, and other trademarks are trademarks of Dell Inc. or its subsidiaries. Other trademarks may be trademarks of their respective owners.

Contents

1 Dell EMC PowerEdge R240 system overview.....	5
Front view of the system.....	5
Control panels.....	6
Rear view of the system.....	7
2 Technical specifications.....	8
Chassis dimensions.....	9
System weight.....	9
Processor specifications.....	10
PSU specifications.....	10
Cooling fans specifications.....	10
System battery specifications.....	10
Expansion card riser specifications.....	10
Memory specifications.....	11
Storage controller specifications.....	11
Drive specifications.....	11
Drives.....	11
Optical drives.....	12
Ports and connectors specifications.....	12
USB ports specifications.....	12
NIC ports specifications.....	12
Serial connector specifications.....	12
VGA ports specifications.....	12
Video specifications.....	13
Environmental specifications.....	13
Standard operating temperature.....	14
Expanded operating temperature.....	14
Particulate and gaseous contamination specifications.....	15
3 System diagnostics and indicator codes	17
System health and system ID indicator codes.....	17
iDRAC Direct LED indicator codes.....	18
NIC indicator codes.....	18
Non-redundant cabled power supply unit indicator codes.....	19
Drive indicator codes.....	20
4 Getting help.....	21
Recycling or End-of-Life service information.....	21
Contacting Dell.....	21
Accessing system information by using QRL.....	21
Quick Resource Locator for Dell EMC PowerEdge R240 system.....	22
Receiving automated support with SupportAssist	22

5 Safety instructions..... 23

Dell EMC PowerEdge R240 system overview

The Dell EMC PowerEdge R240 system is a 1U server that supports:

- One Intel Xeon Scalable processor
- Four DIMM slots
- Cabled AC power supply unit
- Up to four 3.5-inch SAS, SATA drives or SSDs, or four 3.5-inch cabled drives, or two 3.5-inch cabled drives.

For more information about supported drives, see the [Drive specifications](#) section.

NOTE: All instances of SAS, SATA drives, and SSDs are referred to as drives in this document, unless specified otherwise.

Topics:

- [Front view of the system](#)
- [Rear view of the system](#)

Front view of the system



Figure 1. Front view of the 4 x 3.5-inch drive system

- | | | | |
|---|---------------------|---|--------------------------|
| 1 | Left control panel | 2 | Optical drive (optional) |
| 3 | Right control panel | 4 | Information tag |
| 5 | Drive (4) | | |

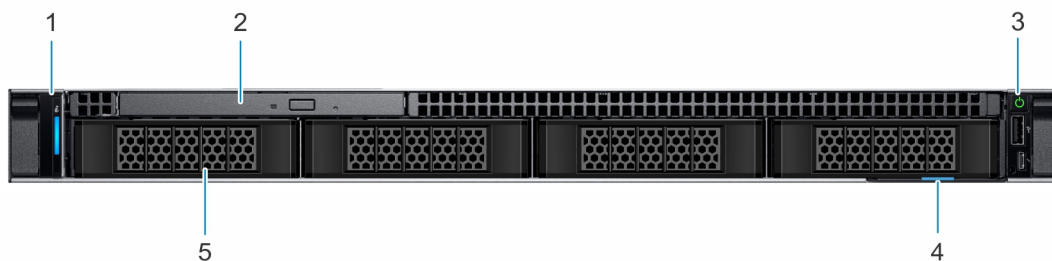


Figure 2. Front view of the 4 x 3.5-inch cabled drive system

- | | | | |
|---|--------------------|---|--------------------------|
| 1 | Left control panel | 2 | Optical drive (optional) |
|---|--------------------|---|--------------------------|

- 3 Right control panel
- 5 Drive (4)

- 4 Information tag

NOTE: LED functionality is not supported on cabled disk drive configuration.

For more information about the ports, see the [Technical Specifications](#) section.

Control panels

Left control panel view



Figure 3. Left control panel view

- System health and system ID indicator

Right control panel view



Figure 4. Right control panel view

- Power button
- USB 2.0-compliant port
- iDRAC LED indicator
- Micro USB 2.0-compliant port for iDRAC Direct

NOTE: For more information on the ports, see the [Ports and connectors specifications](#) section.

Rear view of the system

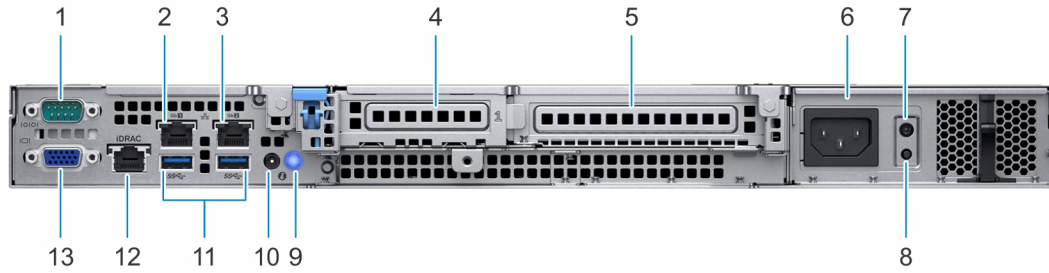


Figure 5. Rear view of the system

- | | | | |
|----|--------------------------------------|----|--|
| 1 | Serial port | 2 | NIC port (Gb 1) |
| 3 | NIC port (Gb 2) | 4 | Half-height PCIe expansion card slot |
| 5 | Full-height PCIe expansion card slot | 6 | Power supply unit |
| 7 | PSU Built-in Self Test (BIST) LED | 8 | PSU Built-in Self Test (BIST) button |
| 9 | System identification button | 10 | System status indicator cable port (CMA) |
| 11 | USB 3.0 ports (2) | 12 | iDRAC dedicated NIC port |
| 13 | VGA port | | |

For more information about the ports and connectors, see the [Technical Specifications](#) section.

Technical specifications

The technical and environmental specifications of your system are outlined in this section.

Topics:

- Chassis dimensions
- System weight
- Processor specifications
- PSU specifications
- Cooling fans specifications
- System battery specifications
- Expansion card riser specifications
- Memory specifications
- Storage controller specifications
- Drive specifications
- Ports and connectors specifications
- Video specifications
- Environmental specifications

Chassis dimensions

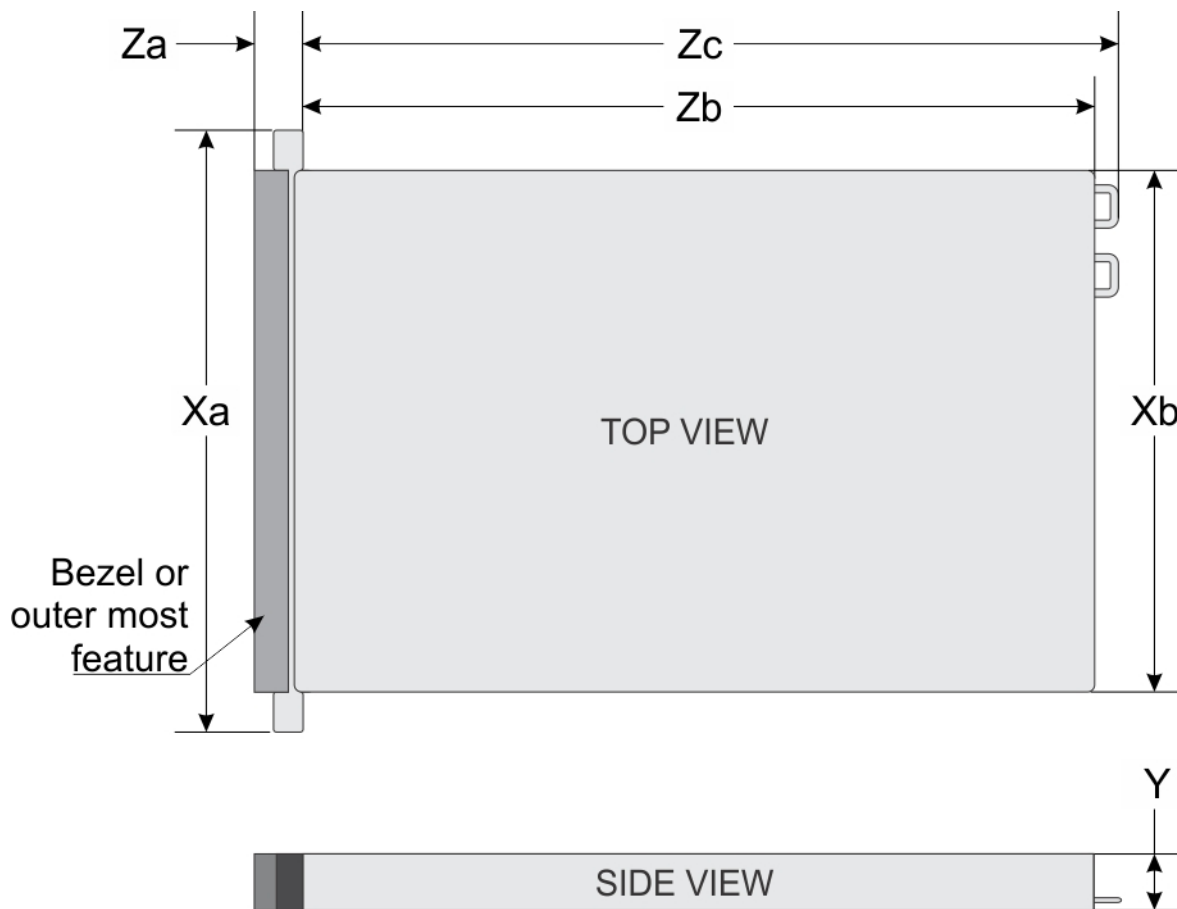


Figure 6. Chassis dimensions

Table 1. Dell EMC PowerEdge R240 chassis dimensions

Xa	Xb	Y	Za	Zb	Zc
482.0 mm (18.97 inches)	434.0 mm (17.08 inches)	42.8 mm (1.68 inches)	With bezel: 35.64 mm (1.4 inches) Without bezel: 22.0 mm (0.87 inches)	534.496 mm (21.04 inches)	573.596 mm (22.58 inches)

System weight

Table 2. Dell EMC PowerEdge R240 system weight

System configuration	Maximum weight (with all drives/SSDs)
4 x 3.5-inch drives	12.2 kg (26.89 lb)

Processor specifications

Table 3. Dell EMC PowerEdge R240 processor specifications

Supported processor	Number of processors supported
Intel Xeon Scalable Processor	One

PSU specifications

The Dell EMC PowerEdge R240 system supports a cabled AC power supply unit (PSU).

Table 4. Dell EMC PowerEdge R240 PSU specifications

PSU	Class	Heat dissipation (maximum)	Frequency	Voltage	AC		Current
					High line 100–240 V	Low line 100–120 V	
250 W AC	Bronze	1039 BTU/hr	50/60 Hz	100-240 V AC,autoranging	250 W	N/A	4.0A-2.0 A

NOTE: This system is also designed to connect to the IT power systems with a phase-to-phase voltage not exceeding 230 V.

Cooling fans specifications

The Dell EMC PowerEdge R240 system supports the following cooling fans.

NOTE: When selecting or upgrading the system configuration, to ensure optimum power utilization, verify the system power consumption with the Dell Energy Smart Solution Advisor available at Dell.com/ESSA.

Table 5. Dell EMC PowerEdge R240 fan support matrix

Front storage	Fan 1	Fan 2	Fan 3	Fan 4
Max allowable 3.5-inch drive counts = 2	Required when PCIe is installed	Required	Required	N/A
Max allowable 3.5-inch drive counts = 4	Required when PCIe is installed	Required	Required	Required

System battery specifications

The Dell EMC PowerEdge R240 system supports CR 2032 3.0-V lithium coin cell system battery.

Expansion card riser specifications

The Dell EMC PowerEdge R240 system supports up to two PCI express (PCIe) generation 3.

Table 6. Expansion card slots supported on the system board

PCIe slot	Riser	PCIe slot height	PCIe slot length	Slot width
Slot 1	x8 PCIe	Low-profile	Half-length	x8
Slot 2	x16 PCIe	Low-profile/Full-height	Half-length	x16

Memory specifications

The PowerEdge R240 system supports the following memory specifications for optimized operation.

Table 7. Memory specifications

DIMM type	DIMM rank	DIMM capacity	Minimum RAM	Maximum RAM
UDIMM	Single rank	8 GB	8 GB	32 GB
		16 GB	16 GB	64 GB
	Dual rank	8 GB	8 GB	32 GB
		16 GB	16 GB	64 GB

Table 8. Memory module sockets

Memory module sockets	Speed
Four 288-pin	2666 MT/s

Storage controller specifications

The Dell EMC PowerEdge R240 system supports the following controller cards:

Table 9. Dell EMC PowerEdge R240 system controller cards

Internal controllers	External controllers
<ul style="list-style-type: none"> • PERC H730P • PERC H330 • S140 • HBA330 	<ul style="list-style-type: none"> • 12Gbps SAS Ext. HBA

Drive specifications

Drives

The Dell EMC PowerEdge R240 system supports:

- 4 x 3.5-inch hot-swappable SAS, SATA, or SSD
- 4 x 3.5-inch cabled drives
- 2 x 3.5-inch cabled drives

NOTE: LED functionality is not supported on cabled hard disk drive configuration.

Backplane:

- Up to 4 x 3.5-inch SAS, SATA drives, or SSD drives
- Up to 4 x 2.5-inch SAS, SATA drives, or SSD drives

Optical drives

The Dell EMC PowerEdge R240 system supports the following optical drives.

Table 10. Supported optical drive type

Supported drive type	Supported number of drives
Dedicated SATA DVD-ROM drive or DVD +/-RW drive	One

Ports and connectors specifications

USB ports specifications

Table 11. Dell EMC PowerEdge R240 system USB specifications

Front		Rear		Internal	
USB port type	No. of ports	USB port type	No. of ports	USB port type	No. of ports
USB 2.0-compliant port	One	USB 3.0-compliant ports	Two	Internal USB 3.0-compliant port	One
Micro USB 2.0-compliant port for iDRAC Direct	One				

NOTE: The micro USB 2.0 compliant port can only be used as an iDRAC Direct or a management port.

NIC ports specifications

The Dell EMC PowerEdge R240 system supports up to two 10/100/1000 Mbps Network Interface Controller (NIC) ports that are located on the back panel.

Serial connector specifications

The Dell EMC PowerEdge R240 system supports one serial connector on the back panel, which is a 9-pin connector, Data Terminal Equipment (DTE), 16550-compliant.

VGA ports specifications

The Dell EMC PowerEdge R240 system supports DB-15 VGA connector.

Video specifications

The Dell EMC PowerEdge R240 system supports integrated Matrox G200 graphics controller with 16 MB of video frame buffer.

Table 12. Supported video resolution options

Resolution	Refresh rate (Hz)	Color depth (bits)
640 x 480	60, 72	8, 16, 24
800 x 600	60, 75, 85	8, 16, 24
1024 x 768	60, 75, 85	8, 16, 24
1152 x 864	60, 75, 85	8, 16, 24
1280 x 1024	60, 75	8, 16, 24

Environmental specifications

NOTE: For additional information about environmental certifications, refer to the *Product Environmental Datasheet* located with the Manuals & Documents on Dell.com/support/home.

Table 13. Temperature specifications

Temperature	Specifications
Storage	-40–65°C (-40–149°F)
Continuous operation (for altitude less than 950 m or 3117 ft)	10–35°C (50–95°F) with no direct sunlight on the equipment
Fresh air	For information about fresh air, see the Expanded operating temperature section.
Maximum temperature gradient (operating and storage)	20°C/h (36°F/h)

Table 14. Relative humidity specifications

Relative humidity	Specifications
Storage	5% to 95% RH with 33°C (91°F) maximum dew point. Atmosphere must be noncondensing at all times.
Operating	10% to 80% RH with 29°C (84.2°F) maximum dew point.

Table 15. Maximum vibration specifications

Maximum vibration	Specifications
Operating	0.26 G _{rms} at 5 Hz to 350 Hz (all operation orientations)
Storage	1.88 G _{rms} at 10 Hz to 500 Hz for 15 minutes (all six sides tested)

Table 16. Maximum shock pulse specifications

Maximum shock pulse	Specifications
Operating	Six consecutively executed shock pulses in the positive and negative x, y, and z axis of 6 G for up to 11 ms.
Storage	Six consecutively executed shock pulses in the positive and negative x, y, and z axis (one pulse on each side of the system) of 71 G for up to 2 ms.

Table 17. Maximum altitude specifications

Maximum altitude	Specifications
Operating	3048 m (10,000 ft)
Storage	12,000 m (39,370 ft)

Table 18. Operating temperature derating specifications

Operating temperature derating	Specifications
Up to 35°C (95°F)	Maximum temperature is reduced by 1°C/300 m (1°F/547 ft), above 950 m (3,117 ft).
35–40°C (95–104°F)	Maximum temperature is reduced by 1°C/175 m (1°F/319 ft), above 950 m (3,117 ft).
40–45°C (104–113°F)	Maximum temperature is reduced by 1°C/125 m (1°F/228 ft), above 950 m (3,117 ft).

Standard operating temperature

Table 19. Standard operating temperature specifications

Standard operating temperature	Specifications
Continuous operation (for altitude less than 950 m or 3117 ft)	10–35°C (50–95°F) with no direct sunlight on the equipment.

Expanded operating temperature

Table 20. Expanded operating temperature specifications

Expanded operating temperature	Specifications
Continuous operation	5°C–40°C at 5% to 85% RH with 29°C dew point. NOTE: Outside the standard operating temperature (10°C–35°C), the system can operate continuously in temperatures as low as 5°C and as high as 40°C.

Expanded operating temperature	Specifications
	For temperatures 35°C– 40°C, derate maximum allowable temperature by 1°C per 175 m (1°F per 319 ft) above 950 m (3,117 ft).
≤ 1% of annual operating hours	<p>-5°C–45°C at 5% to 90% RH with 29°C dew point.</p> <p>NOTE: Outside the standard operating temperature (10°C–35°C), the system can operate down to -5°C or up to 45°C for a maximum of 1% of its annual operating hours.</p> <p>For temperatures 40°C– 45°C, derate maximum allowable temperature by 1°C per 125 m (1°F per 228 ft) above 950 m (3,117 ft).</p>

NOTE: When operating in the expanded temperature range, the performance of the system may be impacted.

NOTE: When operating in the expanded temperature range, ambient temperature warnings may be reported on the System Event Log.

Expanded operating temperature restrictions

- Do not perform a cold startup of the system below 5°C.
- The operating temperature specified is for a maximum altitude of 950m for fresh air cooling.
- Four system fans are required.
- Support for up to 71W processor.
- GPU is not supported.
- Non-Dell qualified peripheral cards and/or peripheral cards greater than 25 W are not supported.

Particulate and gaseous contamination specifications

The following table defines the limitations that help avoid any damages to the IT equipment and/or, or both failure from particulate and gaseous contamination. If the levels of particulate or gaseous pollution exceed the specified limitations and results in equipment damage or failure, you must rectify the environmental conditions. Remediation of environmental conditions is the responsibility of the customer.

Table 21. Particulate contamination specifications

Particulate contamination	Specifications
Air filtration	<p>Data center air filtration as defined by ISO Class 8 per ISO 14644-1 with a 95% upper confidence limit.</p> <p>NOTE: This condition applies to data center environments only. Air filtration requirements do not apply to IT equipment designed to be used outside a data center, in environments such as an office or factory floor.</p> <p>NOTE: Air entering the data center must have MERV11 or MERV13 filtration.</p>
Conductive dust	Air must be free of conductive dust, zinc whiskers, or other conductive particles.

Particulate contamination	Specifications
	<p>ⓘ NOTE: This condition applies to data center and non-data center environments.</p>
Corrosive dust	<ul style="list-style-type: none"> • Air must be free of corrosive dust. • Residual dust present in the air must have a deliquescent point less than 60% relative humidity. <p>ⓘ NOTE: This condition applies to data center and non-data center environments.</p>

Table 22. Gaseous contamination specifications

Gaseous contamination	Specifications
Copper Coupon Corrosion	<300 Å/month per Class G1 as defined by ANSI/ISA71.04-1985.
Silver Coupon Corrosion	<200 Å/month as defined by AHSRAE TC9.9.

ⓘ | **NOTE: Maximum corrosive contaminant levels measured at ≤50% relative humidity.**

System diagnostics and indicator codes

The diagnostic indicators on the system front panel display system status during system startup.

Topics:

- [System health and system ID indicator codes](#)
- [iDRAC Direct LED indicator codes](#)
- [NIC indicator codes](#)
- [Non-redundant cabled power supply unit indicator codes](#)
- [Drive indicator codes](#)

System health and system ID indicator codes

The system health and system ID indicator is located on the left control panel of your system.



Figure 7. System health and system ID indicator

Drive indicator codes

The LEDs on the drive carrier indicates the state of each drive. Each drive carrier in your system has two LEDs: an activity LED (green) and a status LED (bicolor, green/amber). The activity LED flashes whenever the drive is accessed.



Figure 10. Drive indicators

- 1 Drive activity LED indicator
- 2 Drive status LED indicator
- 3 Drive capacity label

NOTE: If the drive is in the Advanced Host Controller Interface (AHCI) mode, the status LED indicator does not turn on.

Table 27. Drive indicator codes

Drive status indicator code	Condition
Flashes green twice per second	Identifying drive or preparing for removal.
Off	Drive ready for removal. NOTE: The drive status indicator remains off until all drives are initialized after the system is turned on. Drives are not ready for removal during this time.
Flashes green, amber, and then turns off	Predicted drive failure.
Flashes amber four times per second	Drive failed.
Flashes green slowly	Drive rebuilding.
Solid green	Drive online.
Flashes green for three seconds, amber for three seconds, and then turns off after six seconds	Rebuild stopped.

Getting help

Topics:

- [Recycling or End-of-Life service information](#)
- [Contacting Dell](#)
- [Accessing system information by using QRL](#)
- [Receiving automated support with SupportAssist](#)

Recycling or End-of-Life service information

Take back and recycling services are offered for this product in certain countries. If you want to dispose of system components, visit Dell.com/recyclingworldwide and select the relevant country.

Contacting Dell

Dell provides several online and telephone based support and service options. If you do not have an active internet connection, you can find contact information about your purchase invoice, packing slip, bill, or Dell product catalog. Availability varies by country and product, and some services may not be available in your area. To contact Dell for sales, technical assistance, or customer service issues:

- 1 Go to Dell.com/support/home
- 2 Select your country from the drop-down menu on the lower right corner of the page.
- 3 For customized support:
 - a Enter your system Service Tag in the **Enter your Service Tag** field.
 - b Click **Submit**.The support page that lists the various support categories is displayed.
- 4 For general support:
 - a Select your product category.
 - b Select your product segment.
 - c Select your product.The support page that lists the various support categories is displayed.
- 5 For contact details of Dell Global Technical Support:
 - a Click [Global Technical Support](#)
 - b The **Contact Technical Support** page is displayed with details to call, chat, or e-mail the Dell Global Technical Support team.

Accessing system information by using QRL

Prerequisites

Ensure that your smartphone or tablet has the QR code scanner installed.

The QRL includes the following information about your system:

- How-to videos
- Reference materials, including the Installation and Service Manual, and mechanical overview
- Your system service tag to quickly access your specific hardware configuration and warranty information
- A direct link to Dell to contact technical assistance and sales teams

Steps

- 1 Go to Dell.com/qrl and navigate to your specific product or
- 2 Use your smartphone or tablet to scan the model-specific Quick Resource (QR) code on your system or in the Quick Resource Locator section.

Quick Resource Locator for Dell EMC PowerEdge R240 system



Figure 11. Quick Resource Locator for Dell EMC PowerEdge R240 system

Receiving automated support with SupportAssist

Dell EMC SupportAssist is an optional Dell EMC Services offering that automates technical support for your Dell EMC server, storage, and networking devices. By installing and setting up a SupportAssist application in your IT environment, you can receive the following benefits:

- **Automated issue detection** — SupportAssist monitors your Dell EMC devices and automatically detects hardware issues, both proactively and predictively.
- **Automated case creation** — When an issue is detected, SupportAssist automatically opens a support case with Dell EMC Technical Support.
- **Automated diagnostic collection** — SupportAssist automatically collects system state information from your devices and uploads it securely to Dell EMC. This information is used by Dell EMC Technical Support to troubleshoot the issue.
- **Proactive contact** — A Dell EMC Technical Support agent contacts you about the support case and helps you resolve the issue.

The available benefits vary depending on the Dell EMC Service entitlement purchased for your device. For more information about SupportAssist, go to Dell.com/supportassist.

Safety instructions

- ⚠ WARNING:** Whenever you need to lift the system, get others to assist you. To avoid injury, do not attempt to lift the system by yourself.
- ⚠ WARNING:** Opening or removing the system cover while the system is powered on may expose you to a risk of electric shock.
- ⚠ CAUTION:** Do not operate the system without the cover for a duration exceeding five minutes.
- ⚠ CAUTION:** Many repairs may only be done by a certified service technician. You should only perform troubleshooting and simple repairs as authorized in your product documentation, or as directed by the online or telephone service and support team. Damage due to servicing that is not authorized by Dell is not covered by your warranty. Read and follow the safety instructions that are shipped with your product.
- ① NOTE:** It is recommended that you always use an antistatic mat and antistatic strap while working on components inside the system.
- ① NOTE:** To ensure proper operation and cooling, all bays in the system and system fans must be populated always with either a component or with a blank.